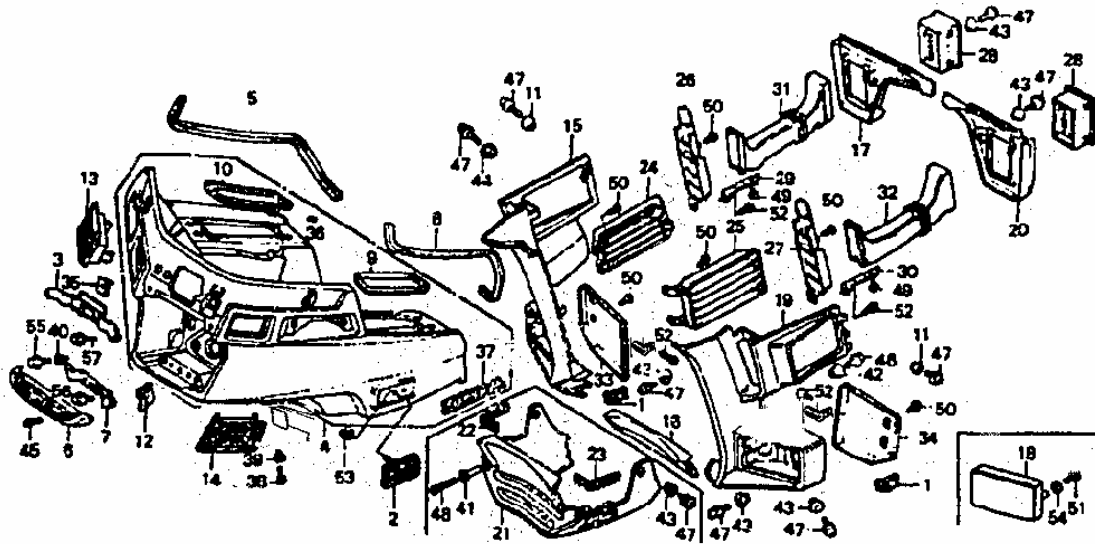


	MG9-770ZL	Under *nh1z*																
19	64300-MG9-770ZM	Cowl compl., R. Under *yr135m*								1								
19	64300-MG9-770ZN	Cowl compl., R. Under *pb155pa*								1								
19	64300-MG9-770ZP	Cowl compl., R. Under *nh152m*								1								
19	64300-MG9-770ZR	Cowl compl., R. Under *yr143m*										1						
19	64300-MG9-770ZS	Cowl compl., R. Under *nh178m*											1					
20	64301-MG9-770ZA	Cowl compl., L. Under *r114cu*	1		1				1									
20	64301-MG9-770ZB	Cowl compl., L. Under *pb123pa*	1	1														
20	64301-MG9-770ZC	Cowl compl., L. Under *r128pa*	1	1														
20	64301-MG9-770ZD	Cowl compl., L. Under *yr123mu*			1													
20	64301-MG9-770ZE	Cowl compl., L. Under *nh136mu*	1															
20	64301-MG9-770ZF	Cowl compl., L. Under *nh144m*				1												
20	64301-MG9-770ZG	Cowl compl., L. Under *pb142m*				1												
20	64301-MG9-770ZH	Cowl compl., L. Under *r137pa*						1										
20	64301-MG9-770ZJ	Cowl compl., L. Under *pb140m*							1									
20	64301-MG9-770ZK	Cowl compl., L. Under *yr125m*							1									
20	64301-MG9-770ZL	Cowl compl., L. Under *nh1z*							1									
20	64301-MG9-770ZM	Cowl compl., L. Under *yr135m*								1								
20	64301-MG9-	Cowl compl., L. Under								1								

	770ZN	*pb155pa*																	
20	64301-MG9-770ZP	Cowl compl., L. Under *nh152m*								1									
20	64301-MG9-770ZR	Cowl compl., L. Under *yr143m*											1						
20	64301-MG9-770ZS	Cowl compl., L. Under *nh178m*											1						
21	64391-MG9-000	Stay, L. FR. Under cowl	1	1	1	1			1	1			1						
22	75826-605-300	Seal, door hole, 20mm	8	4	8	4			8	4			8						
23	87108-MB9-770	Emblem, R. fairing side	2	2	2	2			2	2			2						
24	87116-MG9-770	Seal, R. Under cowl	1	1	1	1			1	1			1						
25	87117-MG9-770	Seal, L. Under cowl	1	1	1	1			1	1			1						
26	87118-MG9-770	Seal, R. Fairing blind	1	1	1	1			1	1			1						
27	87119-MG9-770	Seal, L. Fairing blind	1	1	1	1			1	1			1						
28	90117-371-003	Nut, flange, 5mm	2	2															
28	94050-05000	Nut, flange, 5mm			2	2			2	2			2						
29	90117-MC7-000	Bolt, socket, 8x40							2	2			2						
29	90118-MC7-003	Bolt, socket	2	2	2	2													
30	90120-MG9-770	Collar, cowl setting	2	2	2	2			2	2			2						
31	90120-463-770	Collar, cowl setting	2	2	2	2			2	2			2						
32	90522-170-700	Collar, gearshift lever setting	6	6	6	6			10	10			10						
33	93500-04010-0G	Screw, pan, 4x10	2	2	2	2			2	2			2						
34	93500-06016-0G	Screw, pan. 6x16	6	6	6	6			6	6			6						
35	95700-	Bolt, flange,	2	2	2	2			2	2			2						

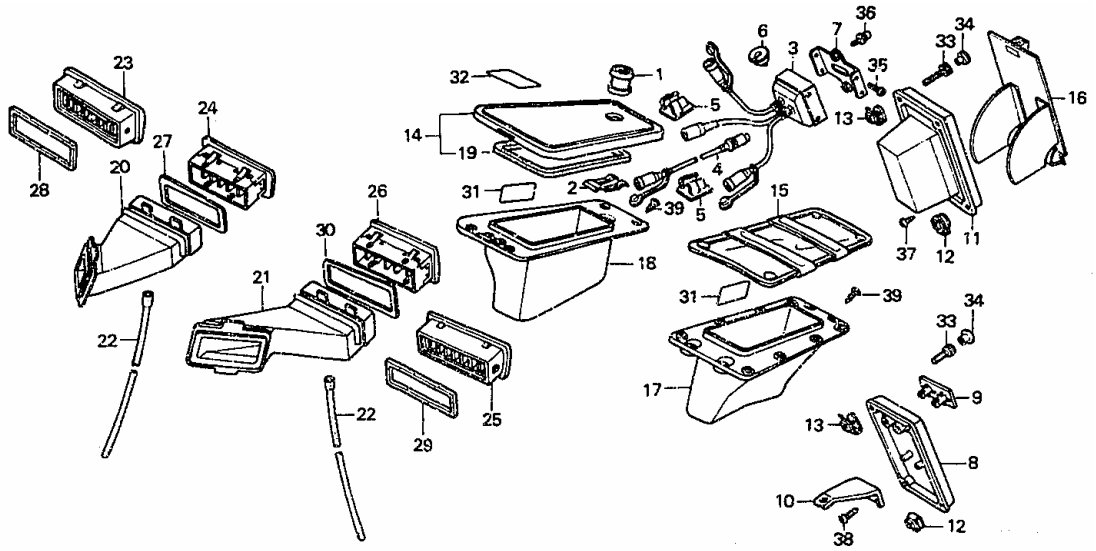
	06020-08	6x20													
36	95900-06022-08	Bolt, flange, 6x22		2	2	2	2		2	2		2			
37	95900-06028-08	Bolt, flange, 6x28		2	2	2	2		2	2		2			



Nr	Partnr	Description	84	84	84	85	85	85	86	86	86	87	87	Serialnr	Areacode
			Std	Int	asp	Int	asp	Ltd	Int	asp	SEi	Int	asp		
1	32913-MG9-950	Clip, wire						2			2				
2	33741-ME9-672	Reflector, FR. Reflex											2		
3	64112-MG9-950	Stay, garnish (b)						1			1		1		
4	64200-MG9-950ZA	Fairing comp. (wl) *yr126m*						1							
4	64200-ML8-700ZA	Fairing comp. (wl) *r114cu*											1		
4	64200-ML8-700ZB	Fairing comp. (wl) *nh1z*											1		
4	64200-ML8-700ZC	Fairing comp. (wl) *nh104mu*											1		
4	64200-ML8-750ZA	Fairing comp. (wl) *y108pa*									1				
5	64204-MG9-770ZA	Molding, R. Cowl trim *r114cu*											1		
5	64204-MG9-770ZL	Molding, R. Cowl trim *yr126m*						1							
5	64204-MG9-770ZM	Molding, R. Cowl trim *nh1z*											1		
5	64204-MG9-	Molding, R. Cowl trim *nh104mu*											1		

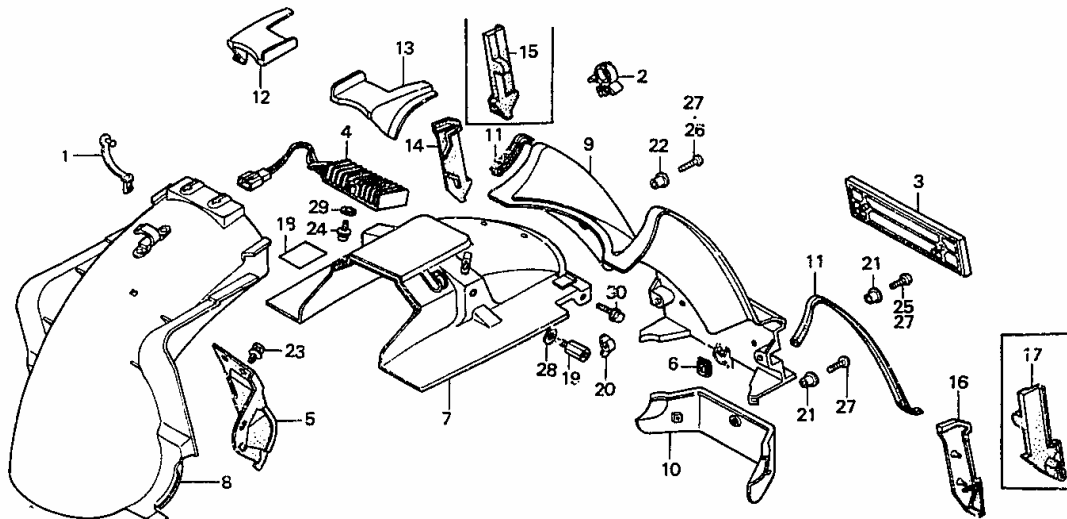
	770ZY																		
5	64204-MG9-770ZS	Molding, R. Cowl trim *y108pa*											1						
6	64205-KG9-770ZA	Grille, FR. *r114cu*															1		
6	64205-MG9-770ZL	Grille, FR. *yr126m*							1										
6	64205-MG9-770ZM	Grille, FR. *nh1z*																1	
6	64205-MG9-770ZY	Grille, FR. *nh104mu*																1	
6	64205-MG9-770ZS	Grille, FR. *y108pa*											1						
7	64206-MG9-770	Stay, headlight grille							1				1				1		
8	64214-MG9-770ZA	Molding, L. Cowl trim *r114cu*																1	
8	64214-MG9-770ZL	Molding, L. Cowl trim *yr126m*							1										
8	64214-MG9-770ZM	Molding, L. Cowl trim *nh1z*																	1
8	64214-MG9-770ZY	Molding, L. Cowl trim *nh104mu*																	1
8	64214-MG9-770ZS	Molding, L. Cowl trim *y108pa*											1						
9	64249-MG9-770	Rubber, L. Pocket seal							1				1				1		
10	64250-MG9-770	Rubber, R. Pocket seal							1				1				1		
11	64263-MA2-000	Collar, leg shield setting							2				2				2		
12	64267-MG9-770	Grommet, fairing							1				1				1		
13	64277-MG9-680	Louver, R. FR.							1				1				1		
14	64278-MG9-680	Louver, L. FR.							1				1				1		

	950ZB																
29	64326-MG9-950	Stay, R. Duct						1				1			1		
30	64327-MG9-950	Stay, L. Duct						1				1			1		
31	64328-MG9-950	Duct, R. Under cowl						1				1			1		
32	64329-MG9-950	Duct, L. Under cowl						1				1			1		
33	64330-MG9-950	Panel, R. Corner lamp blind						1				1					
34	64331-MG9-950	Panel, L. Corner lamp blind						1				1					
35	64529-MC7-000	Nut, clip, 6mm										2			2		
36	75826-605-300	Seal, door hole 20mm						5				5			4		
37	87108-MB9-770	Emblem, R. fairing side						2				2			2		



Nr	Partnr	Description	84 Std	84 Int	84 asp	85 Int	85 asp	85 Ltd	86 Int	86 asp	86 SEi	87 Int	87 asp	Serialnr	Areacode
1	37220-439-007	Lock, filler lid		1	1	1	1	1	1	1	1	1	1		
2	37222-463-000	Spring, lock key setting		1	1	1	1	1	1	1	1	1	1		
3	39240-MG9-811	Box, junction						1							
3	39240-ML8-751	Box, headset junction							(1)	(1)	1	(1)	(1)		
4	39241-MG9-951	Junction, lead						1	(1)	(1)	1	(1)	(1)		
5	39242-MG9-951	Holder assy., Connector						2	(2)	(2)	2	(2)	(2)		
6	39243-MG9-951	Grommet, head set harness						1	(1)	(1)	1	(1)	(1)		
7	39244-MG9-950	Stay, head set junction box						1			1				
8	64225-MG9-770	Cover comp., Cb blind		1	1	1	1	(1)							
8	64225-MG9-770ZA	Cover comp., Cb blind *r58I*										1	1		
8	64225-MG9-770ZB	Cover comp., Cb blind *nh81I*											1		
8	64225-MG9-770ZC	Cover comp., Cb blind *r128pa*							1	1	(1)				
9	64232-	Cover, auto		1	1	1	1	(1)	1	1	(1)	1	(1)		

	MG9-680	Outlet															
28	64498-MG9-770	Rubber, R. Outlet	1	1													
29	64499-MG9-680	Rubber, L. Outlet			1	1	1	1	1	1	1	1	1				
30	64499-MG9-770	Rubber, L. Outlet	1	1													
31	87523-MG9-770	Label, fairing pocket caution	2	2	2	2	2										CM,E,ED,IT,SD,SW,U
31	87523-MG9-950	Label, fairing pocket caution			2	2	2										CM,E,ED,IT,SD,SW
31	87523-MG9-960	Label, fairing pocket caution (french)			2	2	2										CM
31	87523-MG9710	Label, fairing pocket caution (germany)	2		2												G
31	87523-MG9-750	Label, fairing pocket caution (french)	2	2	2	2											CM,F
31	87523-ML8-670	Label, fairing pocket caution						2	2	2	2	2					
32	87524-MG9-710	Label, R. Pocket caution (germany)	1		1												G
32	87524-MG9-750	Label, R. Pocket caution (french)	1	1	1	1	1										CM,F
32	87524-MG9-770	Label, R. Pocket caution	1	1	1	1	1	1	1	1	1	1	1				A,AC,CM,E,ED,IT,SD,SW,U
33	90089-MG9-770	Bolt, socket, 5x22	4	4	4	4	4	4	4	4	4	4	4				
34	91456-MG9-770	Cap, socket bolt, 5mm	4	4	4	4	4	4	4	4	4	4	4				
35	93500-04006-0A	Screw, pan, 4x6					4			4							
36	93891-04012-17	Screw-washer, 4x12					2			2							



Nr	Partnr	Description	84 Std	84 Int	84 asp	85 Int	85 asp	85 Ltd	86 Int	86 asp	86 SEi	87 Int	87 asp	Serialnr	Areacode
1	32175-MG9-770	Clamp, wire harness		1	1	1	1	1	1	1		1	1		
2	32175-647-920	Clip, wire harness		1		1									
3	33742-MG9-771	Reflector, RR. Reflex		1	1	1	1	1	1	1	1	1	1		
4	36280-MG9-951	Resistor assy.						1			1				
5	51820-MG9-950	Cover, sensor						1			1				
6	64529-MC7-000	Nut, clip, 6mm		1	1	1	1	1	1	1	1	1	1		
7	80100-MG9-680ZA	Fender a, RR. *r114cu*					1		1				1		
7	80100-MG9-680ZB	Fender a, RR. *nh144m*					1								
7	80100-MG9-680ZC	Fender a, RR. *pb142m*					1								
7	80100-MG9-680ZD	Fender a, RR. *r137pa*						1							
7	80100-MG9-680ZE	Fender a, RR. *pb140m*						1							
7	80100-MG9-680ZF	Fender a, RR. *yr125m*						1							
7	80100-MG9-680ZG	Fender a, RR. *nh1z*							1				1		
7	80100-MG9-	Fender a, RR. *yr135m*								1					

	770ZE																		
9	80102-MG9-770ZF	Fender a, middle *nh144m*				1													
9	80102-MG9-770ZG	Fender a, middle *pb142m*				1													
9	80102-MG9-770ZH	Fender a, middle *r137pa*					1												
9	80102-MG9-770ZJ	Fender a, middle *pb140m*					1												
9	80102-MG9-770ZK	Fender a, middle *yr125m*					1												
9	80102-MG9-770ZL	Fender a, middle *yr126m*						1											
9	80102-MG9-770ZM	Fender a, middle *nh1z*							1						1				
9	80102-MG9-770ZN	Fender a, middle *yr135m*								1									
9	80102-MG9-770ZP	Fender a, middle *pb155pa*									1								
9	80102-MG9-770ZR	Fender a, middle *nh152m*										1							
9	80102-MG9-770ZS	Fender a, middle *y108pa*											1						
9	80102-MG9-770ZT	Fender a, middle *yr143m*													1				
9	80102-MG9-770ZW	Fender a, middle *nh178m*														1			
9	80102-MG9-770ZY	Fender a, middle *nh104mu*															1		
10	80103-MG9-770	Fender a, lower		1	1	1	1			1	1				1	1			
10	80103-MG9-950ZA	Fender a, lower *yr126m*						1											
10	80103-MG9-950ZB	Fender a, lower *y108pa*											1						
11	80104-MG9-770	Rubber, fender side		2	2	2	2	2	2	2	2	2	2	2	2	2			
12	80110-MG9-680	Mudguard, R.				1	1	1	1	1	1	1	1	1	1				

13	80120-MG9-680	Mudguard, L.				1	1	1	1	1	1	1	1		
14	81230-MG9-770	Rubber, R. Moulding end		1	1	1	1		1	1			1	1	
15	81230-MG9-950	Rubber, R. Moulding end						1				1			
	81240-ML8-300	Rubber, seal							2	2	2	2	2		
16	81430-MG9-770	Rubber, L. Moulding end		1	1	1	1		1	1			1	1	
17	81430-MG9-950	Rubber, L. Moulding end						1				1			
18	87505-MG9-950	Mark, tire caution						1							
19	90102-MG9-770	Bolt, fender setting		2	2	2	2	2	2	2	2	2	2	2	
20	90325-044-000	Nut, tool box setting		2	2	2	2	2	2	2	2	2	2	2	
21	90402-GB0-900	Washer, number bracket setting		3	3	3	3	3	3	3	3	3	3	3	
22	90556-044-000	Washer, FR. Fender setting		1	1	1	1	1	1	1	1	1	1	1	
23	90657-SA5-003	Clip, side apron moulding						6				6			
24	92300-05010-0A	Bolt, recessed, 5x10						2				2			
25	93500-06012-0A	Screw, pan, 6x12		2	2										
26	93500-06012-0G	Screw, pan, 6x12		1	1										
27	93500-06016-0G	Screw, pan, 6x16		1	1	4	4	4	4	4	4	4	4	4	
26	94101-08800	Washer, plain, 8mm		2	2	2	2	2	2	2	2	2	2	2	
29	94111-05800	Washer, spring, 5mm						2				2			
30	95700-06012-00	Bolt, flange, 6x12		2	2				2	2	2	2	2	2	
30	95700-06012-08	Bolt, flange, 6x12				2	2	2							

7	33801-MG9-951	Taillight assy., Trunk						1									
7	33801-ML8-671	Taillight assy., Trunk							1			1					
7	33801-ML8-751	Taillight assy., Trunk									1						
8	33804-MG9-701	Dummy assy., RR. Trunk .	1		1	1											E,ED,F,IT,SD, SW
8	33804-MG9-771	Reflector assy., Trunk reflex	1	1	1	1	1	1	1	1	1	1	1				A,AC,CM,U
9	33805-MG9-701	Dummy assy., RR. Trunk	1		1	1											E,ED,F,IT,SD, SW
9	33805-MG9-771	Reflector assy., Trunk reflex	1	1	1	1	1	1	1	1	1	1	1				A,AC,CM,U
10	33807-MG9-701	Taillight sub assy.	1		1												E,ED,F,IT,SD
10	33807-MG9-331	Taillight sub assy.		1		1											E,ED,F.IT
10	33807-MG9-871	Taillight sub assy.		1		1			1				1				A,AC,CM,U
10	33807-MG9-901	Taillight sub assy.	1		1												SW
10	33807-MG9-911	Taillight sub assy.		1		1											SW
10	33807-MG9-951	Taillight sub assy.						1									
10	33807-ML8-671	Taillight sub assy.							1			1					
10	33807-ML8-751	Taillight sub assy.									1						
11	33809-MG9-871	Socket comp., Taillight	1	1	1	1		1	1	1	1	1	1				A,AC,CM,E,ED, F,IT,SD,SW,U
12	34251-MG9-951	Light assy., Trunk					1				1						
13	34260-538-003	Lens					1				1						
14	34295-538-003	Bulb (12v5w) (daiichi)					1				1						

	MG9-770ZB	lower *pb123pa*																SW,U
20	81112-MG9-770ZC	Cover, trunk lower *r128pa*			1													
20	81112-MG9-770ZD	Cover, trunk lower *yr123mu*			1													
20	81112-MG9-770ZE	Cover, trunk lower *nh136mu*		1														CM,E,ED,F,SW
20	81112-MG9-770ZF	Cover, trunk lower *nh144m*				1												CM,E,ED,IT,SD,SW
20	81112-MG9-770ZG	Cover, trunk lower *pb142m*				1												CM,E,ED,IT,SD,SW
20	81112-MG9-770ZH	Cover, trunk lower *p137pa*					1											
20	81112-MG9-770ZJ	Cover, trunk lower *pb140m*					1											
20	81112-MG9-770ZK	Cover, trunk lower *yr125m*					1											
20	81112-MG9-770ZL	Cover, trunk lower *yr126m*						1										
20	81112-MG9-770ZM	Cover, trunk lower *nh1z*							1					1				
20	81112-MG9-770ZN	Cover, trunk lower *yr135m*							1									
20	81112-MG9-770ZP	Cover, trunk lower *pb155pa*							1									
20	81112-MG9-770ZR	Cover, trunk lower *nh152m*							1									
20	81112-MG9-770ZS	Cover, trunk lower *y108pa*								1								
20	81112-MG9-770ZT	Cover, trunk lower *yr143m*									1							
20	81112-MG9-770ZY	Cover, trunk lower *nh104mu*										1						
20	81112-MG9-770ZW	Cover, trunk lower *nh178m*										1						
21	81113-MG9-	Bracket, trunk hinge		1	1	1	1											CM,E,ED,F,IT,SD,SW,U

	ML8-700ZA	(wl) *r114cu*															
30	81121-ML8-700ZB	Trunk, upper (wl) *nh1z*											1				
30	81121-ML8-700ZC	Trunk, upper (wl) *nh104mu*											1				
30	81121-ML8-750ZA	Trunk, upper (wl) *y108pa*										1					
30	81121-ML8-770ZA	Trunk, upper (wl) *yr135m*										1					
30	81121-ML8-770ZB	Trunk, upper (wl) *pb155pa*										1					
30	81121-ML8-770ZC	Trunk, upper (wl) *nh152m*										1					
31	81122-MG9-770	Stiffener, R. Trunk lock	1	1	1	1	1	1	1	1	1	1	1	1	1		A,AC,CM,E,ED,F,IT,SD,SW,U
32	81123-MG9-770	Stiffener, L. Trunk lock	1	1	1	1	1	1	1	1	1	1	1	1	1		A,AC,CM,E,ED,F,IT,SD,SW,U
33	81125-MG9-680ZA	Seat comp., Back *type1* (r-58l)			1			1									A,AC,CM,E,ED,F,IT,SD,SW,U
33	81125-MG9-680ZC	Seat comp., Back *type3* (nh-81l)			1												CM,E,ED,IT,SD,SW
33	81125-MG9-770ZA	Seat comp., Back *type1*	1														CM,E,ED,F,SW
33	81125-MG9-770ZB	Seat comp., Back *type2*	1														CM,E,ED,F,SW
33	81125-MG9-870ZA	Seat comp., Back *type1*			1												
33	81125-MG9-870ZB	Seat comp., Back *type2*			1												
33	81125-MG9-870ZC	Seat comp., Back *type3*			1												
33	81125-MG9-930ZA	Seat comp., Back *type1* (r-58l)					1				1						
33	81125-MG9-930ZB	Seat comp., Back *type2* (yr-87l)					1										
33	81125-MG9-	Seat comp., Back					1				1						

	930ZC	*type3*(nh-81l)															
33	81125-ML8-600ZA	Seat comp., Back *type1* (r-58l)										1	1				
33	81125-ML8-600ZB	Seat comp., Back *type2* (nh-81l)											1				
33	81125-MG9-950	Seat comp., Back				1					1						
34	81128-MG9-770	Emblem, trunk upper	1	1	1	1		1	1			1	1				A,AC,CM,E,ED, F,IT,SD,SW,U
35	81128-MG9-950	Emblem, trunk upper					1										
35	81128-ML8-750	Emblem, trunk upper									1						
36	81129-MG9-770	Hook, trunk lock	2	2	2	2	2	2	2	2	2	2	2				A,AC,CM,E,ED, F,IT,SD,SW,U
37	81130-MG9-770	Hinge comp., Trunk	2	2	2	2	2	2	2	2	2	2	2				A,AC,CM,E,ED, F,IT,SD,SW,U
38	81131-MB9-770	Seal, trunk upper		4		4	4		4	4			4				
39	81134-MG9-770	Washer, hinge	2	2	2	2	2	2	2	2	2	2	2				A,AC,CM,E,ED, F,IT,SD,SW,U
40	81135-MG9-770	Rubber, hinge	2	2	2	2	2	2	2	2	2	2	2				A,AC,CM,E,ED, F,IT,SD,SW,U
41	81136-MG9-950	Arm, R. Trunk grip					1				1						
42	81137-MG9-950	Arm, L. Trunk grip					1				1						
43	81138-MG9-950	Base. R. Trunk grip					1				1						
44	81139-MG9-950	Base, L. Trunk grip					1				1						
45	81140-MG9-950	Grip assy., Trunk					1				1						
46	81141-MG9-950	Grip comp					1				1						
47	81142-MG9-	Stay, room light					1				1						

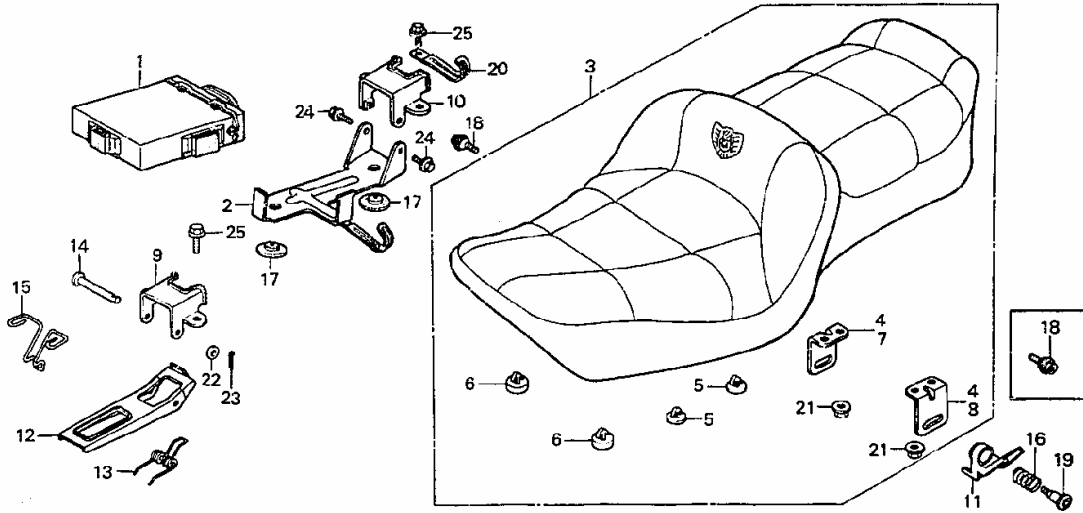
	950																	
48	81143-MG9-950	Bar, trunk grip						1				1						
49	81144-MG9-870	Lid comp, trunk inner			1		1	1										
49	81144-ML8-770	Lid comp, trunk inner									1	1			1			
50	81146-MG9-870	Stopper, lid			2		2	2			2	2			2			
	81149-ML8-770	Knob, trunk lid									1	1			1			
51	81154-MG9-870ZA	Armrest assy., R. *type1*			1													
51	81154-MG9-870ZB	Armrest assy., R. *type2*			1													
51	81154-MG9-870ZC	Armrest assy., R. *type3*			1													
51	81154-MG9-930ZA	Armrest assy., R. *type1* (r-58l)						1			1				1			
51	81154-MG9-930ZB	Armrest assy., R. *type2* (yr-87l)						1										
51	81154-MG9-930ZC	Armrest assy., R. *type3* (nh-81l)						1			1				1			
51	81154-MG9-950	Armrest assy., R.							1			1						
51	81154-MG9-950ZA	Armrest assy., R. *type1* (r-58l)										1						
52	81164-MG9-870ZA	Armrest assy., L. *type1*			1													
52	81164-MG9-870ZB	Armrest assy., L. *type2*			1													
52	81164-MG9-870ZC	Armrest assy., L. *type3*			1													
52	81164-MG9-	Armrest assy., L.						1			1				1			

	930ZA	*type1* (r-58l)															
52	81164-MG9-930ZB	Armrest assy., L. *type2* (yr-87l)					1										
52	81164-MG9-930ZC	Armrest assy., L. *type3* (nh-81l)					1		1			1					
52	81164-MG9-950	Armrest assy., L. *type1*										1					
52	81164-MG9-950ZA	Armrest assy., L. *type1* (r-58l)										1					
52	81164-MG9-950	Armrest assy., L.						1									
53	81170-MG9-771	Lock assy., Trunk	2	2	2	2	2	2	2	2	2	2	2	2	2		A,AC,CM,E,ED, F,IT,SD,SW,U
54	81176-MG9-950	Stopper, light switch						1									
54	81176-ML8-750	Stopper, light switch										1					
55	81179-MG9-950	Stay, light switch						1									
55	81179-ML8-750	Stay, light switch										1					
56	81180-MG9-770	Bag, trunk inner	1		1				1				1				A,AC,CM,E,ED, F,IT,SD,SW
56	81180-MG9-870	Bag, trunk inner		1													
56	81180-MG9-930ZA	Bag, inner trunk *type1*					1			1				1			
56	81180-MG9-930ZB	Bag, inner trunk *type2*					1			1				1			
56	81180-MG9-950	Bag, trunk inner						1									
56	81180-ML8-750	Bag, trunk inner										1					
57	81216-ME2-	Rubber, saddlebag	2	2	2	2	2	2	2	2	2	2	2	2	2		A,AC,CM,E,ED, F,IT,SD,SW

	770	cushion															
58	81223-MG9-770	Plate, lock setting		2	2	2	2	2	2	2	2	2	2				A,AC,CM,E,ED, F,IT,SD,SW
59	81242-MG9-680	Mat, trunk floor				1				1			1				A,AC,CM,E,ED, F,IT,SD,SW
59	81242-MG9-770	Mat, trunk floor		1													CM,E,ED,F,SW
59	81242-MG9-870	Mat, trunk floor			1		1	1			1	1			1		
60	81245-463-770	Collar, saddlebag mounting		4	4	4	4	4	4	4	4	4	4	4	4		A,AC,CM,E,ED, F,IT,SD,SW
61	81247-463-770	Rubber b, saddlebag mounting		4	4	4	4	4	4	4	4	4	4	4	4		A,AC,CM,E,ED, F,IT,SD,SW
62	81420-MG9-770	Rubber, trunk seal		1	1	1	1	1	1	1	1	1	1	1	1		A,AC,CM,E,ED, F,IT,SD,SW
	85872-549-309	Grommet, tailgate lower							1	1							
63	87520-MG9-700	Label, trunk saddlebag caution		1	1	1	1										E,ED,IT,SD, SW,U
63	87520-MG9-750	Label, trunk saddlebag caution		1	1	1	1	1									CM,F
63	87520-MG9-770	Label, trunk saddlebag caution		1	1	1	1	1									CM
63	87520-ML8-670	Label, trunk saddlebag caution							1	1	1	1	1				
64	87525-MB9-570	Label, side pocket			2		2	2									CM,E,ED,IT, SW,U
64	87525-MB9-870	Label, side pocket								2	2				2		
64	87525-MB9-880	Label, side pocket (french)			2		2	2									CM,F
65	90108-MG9-770	Grommet, screw, 4mm		3	3	3	3	3	3	3	3	3	3	3	3		A,AC,CM,E,ED, F,IT,SD,SW
66	90201-428-900	Nut, cap, 6mm		4	4	4	4	4	4	4	4	4	4	4	4		A,AC,CM,E,ED, F,IT,SD,SW
	90310-SB2-003	Nut, speed								1	1			1			
67	90402-GB0-	Washer, number						4			4						

	900	bracket setting															
68	90655-MG9-950	Clip, L. Harness	2							2							
	91308-371-003	O-ring 4.1x1.5							1	1		1					
69	91508-GA6-000	Screw, pan, 5x7		6		6	6		6	6		6					
70	93500-03008-0G	Screw, pan, 3x8					2					2					
71	93500-04010-0G	Screw, pan, 4x10	6	6	6	6											CM,E,ED,F,IT,SD,SW,U
72	93500-05010-0A	Screw, pan, 5x10					2					2					
73	93500-05012-0G	Screw, pan, 5x12	14	14	14	14	8	8	8	8	8	8	8				A,AC,CM,E,ED,F,IT,SD,SW,U
74	93500-05016-0G	Screw, pan, 5x16					4					4					
75	93500-06016-0G	Screw, pan, 6x16	2	2	2	2	2	2	2	2	2	2	2	2			A,AC,CM,E,ED,F,IT,SD,SW,U
76	93891-04010-07	Screw-washer, 4x10					1										
77	93901-34320	Screw, tapping, 4x12	8	5	8	5	5	5	5	5	5	5	5				A,AC,CM,E,ED,F,IT,SD,SW,U
78	93903-24110	Screw, tapping, 4x8		2		2	2			2	2		2				
79	93903-24280	Screw, tapping, 4x10	3	8	3	8	8	3	8	8	3	8					A,AC,CM,E,ED,F,IT,SD,SW,U
80	94021-04070-0S	Nut, cap, 4mm	6	6	6	6	7	6	6	6	6	6	6				A,AC,CM,E,ED,F,IT,SD,SW,U
81	94021-05070-0S	Nut, hex. Cap, 5mm		10		10				10	10						
81	90106-MB9-871	Nut, flange cap, 5mm					10										
81	90106-ML8-700	Nut, cap, 5mm													10		
	94101-05700	Washer, flat, 5mm						4	4	4	4	4	4				
82	94103-04800	Washer, plain, 4mm		2		2	2			2	2		2				
83	94103-05700	Washer, plain, 5mm		10		10				10	10		10				

	94103-06700	Washer, plain, 6mm							4	4	4	4	4		
84	96000-06028-00	Bolt, flange, 6x28		4	4										CM,E,ED,F,SW,U
84	95700-06028-00	Bolt, flange, 6x28				4	4	4							CM,E,ED,IT,SD,SW
84	96000-06032-00	Bolt, flange, 6x32							4	4	4	4	4		



Nr	Partnr	Description	84 Std	84 Int	84 asp	85 Int	85 asp	85 Ltd	86 Int	86 asp	86 SEi	87 Int	87 asp	Serialnr	Areacode
1	36700-MG9-951	Controller, auto cruise						1							
1	36700-ML8-701	Controller, auto cruise											1		
1	36700-ML8-751	Controller, auto cruise									1				
2	36710-MG9-950	Plate, auto cruise controller setting						1			1		1		
3	77200-MG9-000	Seat comp., Double	1												
3	77200-MG9-770ZA	Seat comp., Double *type1* (r51l)		1											
3	77200-MG9-770ZB	Seat comp., Double *type2* (nh81l)		1											
3	77200-MG9-870ZA	Seat comp., Double *type1* (r51l)			1										
3	77200-MG9-870ZB	Seat comp., Double *type2* (yr87l)			1										
3	77200-MG9-870ZC	Seat comp., Double *type3* (nh81l)			1										
3	77200-MG9-680ZA	Seat comp., Double *type1* (r58l)				1			1						
3	77200-MG9-680ZC	Seat comp., Double *type3* (nh81l)				1									
3	77200-MG9-930ZA	Seat comp., Double *type1* (r58l)					1			1					
3	77200-	Seat comp., Double					1								

		yr126m																
5	81210-ML8-600ZA	Saddlebag comp., R. Lower (wl) *yr143m*								1								
5	81210-ML8-600ZB	Saddlebag comp., R. Lower (wl) *nh178m*								1								
5	81210-ML8-670ZA	Saddlebag comp., R. Lower (wl) *r114cu*							1									
5	81210-ML8-670ZB	Saddlebag comp., R. Lower (wl) *nh1z*							1									
5	81210-ML8-700ZA	Saddlebag comp., R. Lower (wl) *r114cu*												1				
5	81210-ML8-700ZB	Saddlebag comp., R. Lower (wl) *nh1z*													1			
5	81210-ML8-700ZC	Saddlebag comp., R. Lower (wl) *nh104mu*													1			
5	81210-ML8-750ZA	Saddlebag comp., R. Lower (wl) *y108pa*									1							
5	81210-ML8-770ZA	Saddlebag comp., R. Lower (wl) *yr135m*								1								
5	81210-ML8-770ZB	Saddlebag comp., R. Lower (wl) *pb155pa*								1								
5	81210-ML8-770ZC	Saddlebag comp., R. Lower (wl) *nh152m*								1								
6	81213-MG9-770	Moulding, R. Saddlebag	1	1	1	1		1	1			1	1					
6	81213-MG9-950	Moulding, R. Saddlebag						1				1						
7	81214-MG9-770	Cover, R. Saddlebag lower	1	1	1	1		1	1			1	1					
7	81214-MG9-	Cover, R. Saddlebag						1				1						

	950	lower													
8	81215-MG9-771	Lock assy., Saddlebag	4	4	4	4	4	4	4	4	4	4	4		
9	81216-MG9-680	Plate, protector setting			6	6	6	6	6	6	6	6	6		
9	81216-MG9-770	Plate, protector setting	6	6											
10	81217-MG9-770	Plate, R. Fender setting	1	1	1	1	1	1	1	1	1	1	1		
11	81218-MG9-770	Plate, nut	2	2	2	2	2	2	2	2	2	2	2		
12	81219-MG9-770	Protector, R. Saddlebag	1	1	1	1	1	1	1	1	1	1	1		
13	81220-MG9-770	Hook, lock	4	4	4	4	4	4	4	4	4	4	4		
14	81221-MG9-770	Rubber, hook	4	4	4	4	4	4	4	4	4	4	4		
15	81222-MG9-770	Plate, hook setting	4	4	4	4	4	4	4	4	4	4	4		
16	81223-MG9-770	Plate, lock setting	4	4	4	4	4	4	4	4	4	4	4		
17	81224-MG9-680	Bracket, protector setting			2	2	2	2	2	2	2	2	2		
17	81224-MG9-770	Bracket, protector setting	2	2											
18	81228-MG9-770	Bag, saddlebag inner	2		2			2				2			
18	81228-MG9-870	Bag, saddlebag inner		2											
18	81228-MG9-930ZA	Bag, saddlebag inner *type1*				2			2				2		
18	81228-MG9-930ZB	Bag, saddlebag inner *type2*				2			2				2		
18	81228-MG9-950	Bag, saddlebag inner					2								
18	81228-	Bag,								2					

25	81260-MG9-770ZH	Saddlebag assy., R. Upper *r137pa*						1											
25	81260-MG9-770ZJ	Saddlebag assy., R. Upper *pb140m*						1											
25	81260-MG9-770ZK	Saddlebag assy., R. Upper *yr725m*						1											
25	81260-MG9-770ZL	Saddlebag assy., R. Upper *nh1z*							1						1				
25	81260-MG9-770ZM	Saddlebag assy., R. Upper *yr135m*									1								
25	81260-MG9-770ZN	Saddlebag assy., R. Upper *pb155pa*									1								
25	81260-MG9-770ZP	Saddlebag assy., R. Upper *nh152m*									1								
25	81260-MG9-770ZR	Saddlebag assy., R. Upper *y108pa*										1							
25	81260-MG9-770ZS	Saddlebag assy., R. Upper *yr143m*												1					
25	81260-MG9-770ZT	Saddlebag assy., R. Upper *nh178m*													1				
25	81260-MG9-770ZW	Saddlebag assy., R. Upper *nh104mu*															1		
25	81260-MG9-950ZA	Saddlebag assy., R. Upper *yr126m*							1										
26	81325-MG9-770	Rubber, saddlebag seal		2	2	2	2	2	2	2	2	2	2	2	2				
27	81331-MG9-950	Moulding, fender upper							1				1						
28	81333-MG9-	Moulding, fender lower							1				1						

		pb123pa																	
33	81400-MG9-770ZC	Saddlebag assy., L. Lower (wl) *nh136mu*	1																
33	81400-MG9-870ZA	Saddlebag assy., L. Lower (wl) *r128pa*		1															
33	81400-MG9-870ZB	Saddlebag assy., L. Lower (wl) *yr123mu*			1														
33	81400-MG9-870ZC	Saddlebag assy., L. Lower (wl) *pb123pa*			1														
33	81400-MG9-930ZA	Saddlebag assy., L. Lower (wl) *r137pa*					1												
33	81400-MG9-930ZB	Saddlebag assy., L. Lower (wl) *pb140m*					1												
33	81400-MG9-930ZC	Saddlebag assy., L. Lower (wl) *yr125m*					1												
33	814A0-MG9-950ZA	Saddlebag assy., L. Lower (wl) *yr126m*						1											
33	814A0-ML8-600ZA	Saddlebag assy., L. Lower (wl) *yr143m*									1								
33	814A0-ML8-600ZB	Saddlebag assy., L. Lower (wl) *nh178m*									1								
33	814A0-ML8-670ZA	Saddlebag assy., L. Lower (wl) *r114cu*							1										
33	814A0-ML8-670ZB	Saddlebag assy., L. Lower (wl) *nh1z*							1										
33	814A0-ML8-700ZA	Saddlebag assy., L. Lower (wl) *r114cu*											1						
33	814A0-ML8-700ZB	Saddlebag assy., L. Lower (wl)												1					

		pb123pa																	
34	81410-MG9-770ZA	Saddlebag comp., L. Lower (wl) *r114cu*	1																
34	81410-MG9-770ZB	Saddlebag comp., L. Lower (wl) *pb123pa*	1																
34	81410-MG9-770ZC	Saddlebag comp., L. Lower (wl) *nh136mu*	1																
34	81410-MG9-870ZA	Saddlebag comp., L. Lower (wl) *r128pa*		1															
34	81410-MG9-870ZB	Saddlebag comp., L. Lower (wl) *yr123mu*		1															
34	81410-MG9-870ZC	Saddlebag comp., L. Lower (wl) *pb123pa*		1															
34	81410-MG9-930ZA	Saddlebag comp., L. Lower (wl) *r137pa*					1												
34	81410-MG9-930ZB	Saddlebag comp., L. Lower (wl) *pb140m*					1												
34	81410-MG9-930ZC	Saddlebag comp., L. Lower (wl) *yr125m*					1												
34	81410-MG9-950ZA	Saddlebag comp., L. Lower (wl) *yr126m*						1											
34	81410-ML8-600ZA	Saddlebag comp., L. Lower (wl) *yr143m*											1						
34	81410-ML8-600ZB	Saddlebag comp., L. Lower (wl) *nh178m*											1						
34	81410-ML8-670ZA	Saddlebag comp., L. Lower (wl) *r114cu*											1						
34	81410-ML8-670ZB	Saddlebag comp., L. Lower (wl)											1						

		nh1z																
34	81410-ML8-700ZA	Saddlebag comp., L. Lower (wl) *r114cu*																1
34	81410-ML8-700ZB	Saddlebag comp., L. Lower (wl) *nh1z*																1
34	81410-ML8-700ZC	Saddlebag comp., L. Lower (wl) *nh104mu*																1
34	81410-ML8-750ZA	Saddlebag comp., L. Lower (wl) *y108pa*											1					
34	81410-ML8-770ZA	Saddlebag comp., L. Lower (wl) *yr135m*											1					
34	81410-ML8-770ZB	Saddlebag comp., L. Lower (wl) *pb155pa*											1					
34	81410-ML8-770ZC	Saddlebag comp., L. Lower (wl) *nh152m*											1					
35	81413-MG9-770	Moulding, L. Saddlebag		1	1	1	1		1	1				1	1			
35	81413-MG9-950	Moulding, L. Saddlebag							1					1				
36	81414-MG9-770	Cover, L. Saddlebag lower		1	1	1	1		1	1				1	1			
36	81414-MG9-950	Cover, L. Saddlebag lower							1					1				
37	81417-MG9-770	Plate, L. Fender setting		1	1	1	1	1	1	1	1	1	1	1	1			
38	81419-MG9-770	Protector, L. Saddlebag		1	1	1	1	1	1	1	1	1	1	1	1			
39	81432-MG9-950ZA	Mudguard, L. Saddlebag *yr126m*							1									
39	81432-MG9-950ZB	Mudguard, L. Saddlebag *y108pa*												1				
40	81433-MG9-950	Cap, L. Moulding end							1					1				

	MG9-770ZM	assy., L. Upper *yr135m*													
43	81460-MG9-770ZN	Saddlebag assy., L. Upper *pb155pa*							1						
43	81460-MG9-770ZP	Saddlebag assy., L. Upper *nh152m*							1						
43	81460-MG9-770ZR	Saddlebag assy., L. Upper *y108pa*								1					
43	81460-MG9-770ZS	Saddlebag assy., L. Upper *yr143m*									1				
43	81460-MG9-770ZT	Saddlebag assy., L. Upper *nh178m*									1				
43	81460-MG9-770ZW	Saddlebag assy., L. Upper *nh104mu*										1			
43	81460-MG9-950ZA	Saddlebag assy., L. Upper *yr126m*						1							
44	87520-MG9-700	Label, trunk saddlebag caution	2	2	2	2									E,ED,IT,SD,SW,U
44	87520-MG9-711	Label, trunk saddlebag caution	2		2										G
44	87520-MG9-750	Label, trunk saddlebag caution	2	2	2	2									CM,F
44	87520-MG9-770	Label, trunk saddlebag caution	2	2	2	2									A,AC,CM
44	87520-MG9-950	Label, trunk saddlebag caution						2							
44	87520-MG9-980	Label, trunk saddlebag caution						2							
44	87520-ML8-670	Label, trunk saddlebag caution						2	2	2	2	2			
45	90106-MB9-871	Nut, flange cap, 5mm					2			2					
45	90201-	Nut, cap,	4	4	4	4		4	4		4	4			

	428-900	6mm													
46	90114-MG9-770	Screw, protector setting		2	2	2	2	2	2	2	2	2	2		
47	93500-04006-0G	Screw, pan, 4x6		8	8	8	8	8	8	8	8	8	8		
48	93500-04010-0G	Screw, pan, 4x10		8	8	8	8	8	8	8	12	8	8		
49	93500-05012-0G	Screw, pan, 5x12						2			2				
50	93500-04008-0G	Screw, pan, 4x8		4	4	4	4		4	4		4	4		
50	93893-04008-07	Screw-washer, 4x8						4			4				
51	93893-04008-08	Screw-washer, 4x8						2			2				
52	93903-25280	Screw, tapping, 5x12						2			2				
53	94021-04070-0S	Nut, cap, 4mm		24	24	24	24	24	24	24	24	24	24		
54	94050-06000	Nut, flange, 6mm		8	8	8	8	8	4	4	4	4	4		
55	94111-04700	Washer, spring, 4mm		12	12	12	12	14	12	12	12	12	12		
56	94111-05700	Washer, spring, 5mm						2			2				
57	95700-06028-00	Bolt, flange, 6x28				8	8	8	8	8	8	8	8		
57	96000-06028-00	Bolt, flange, 6x28		8	8										
	87111-MG9-770	Emblem, saddlebag							2			2			
	87111-MG9-870	Emblem, saddlebag								2	2		2		
	87111-ML8-750	Emblem, saddlebag									2				
	90505-MG9-770	Washer, special, 6mm		2	2	2	2		2	2		2	2		
	90525-428900	Washer, plain, 6mm		2	2	2	2		2	2		2	2		

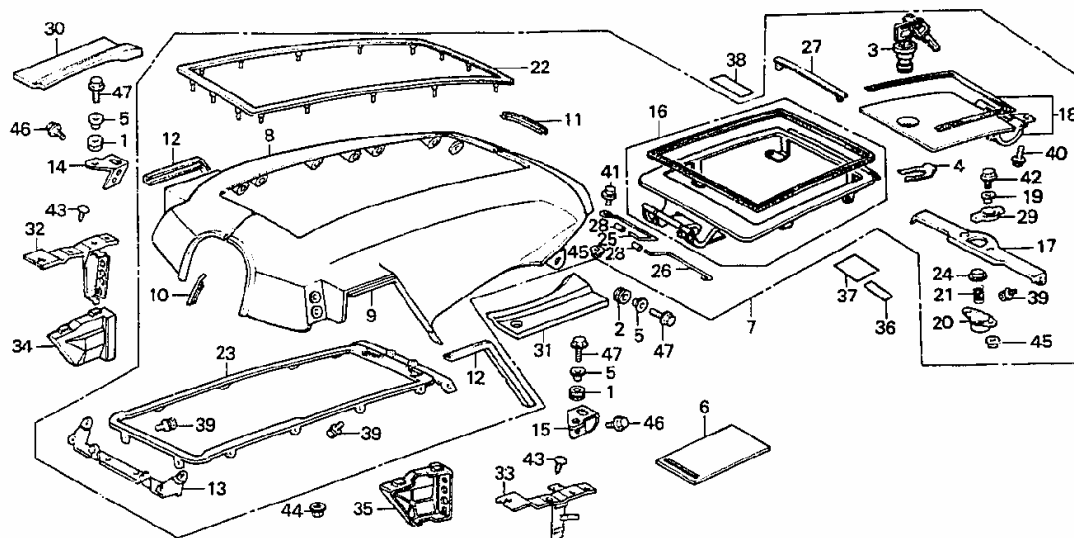
	740ZB														
8	83100-ML8-770ZA	Shelter assy. (wl) *yr135m*								1					A
8	83100-ML8-770ZB	Shelter assy. (wl) *pb155pa*								1					A
8	83100-ML8-770ZC	Shelter assy. (wl) *nh152m*								1					A
8	83100-ML8-790ZA	Shelter assy. (wl) *yr143m*													AC
8	83100-ML8-790ZB	Shelter assy. (wl) *nh178m*													AC
8	83100-ML8-850ZA	Shelter assy. (wl) *r114cu*										1			AC
8	83100-ML8-850ZB	Shelter assy. (wl) *nh1z*										1			AC
8	83100-ML8-850ZC	Shelter assy. (wl) *nh104mu*										1			AC
9	83101-MG9-770ZA	Shelter, R. Side *r114cu*	1		1					1				1	
9	83101-MG9-770ZB	Shelter, R. Side *pb123pa*	1	1											
9	83101-MG9-770ZC	Shelter, R. Side *nh136mu*	1												
9	83101-MG9-770ZD	Shelter, R. Side *r128pa*			1										
9	83101-MG9-770ZE	Shelter, R. Side *yr123mu*			1										
9	83101-MG9-770ZF	Shelter, R. Side *nh144m*				1									
9	83101-MG9-770ZG	Shelter, R. Side *ps142m*				1									
9	83101-MG9-770ZH	Shelter, R. Side *r137pa*							1						
9	83101-MG9-770ZJ	Shelter, R. Side *yr125m*							1						
9	83101-MG9-770ZL	Shelter, R. Side *pb140m*							1						

9	83101-MG9-770ZM	Shelter, R. Side *nh1z*							1			1		
9	83101-MG9-770ZN	Shelter, R. Side *yr135m*								1				
9	83101-MG9-770ZP	Shelter, R. Side *pb155pa*								1				
9	83101-MG9-770ZR	Shelter, R. Side *nh152m*								1				
9	83101-MG9-770ZS	Shelter, R. Side *nh104mu*										1		
9	83101-MG9-770ZT	Shelter, R. Side *yr143m*										1		
9	83101-MG9-770ZW	Shelter, R. Side *nh178m*										1		
10	83102-MG9-770ZA	Shelter, L. Side *r114cu*		1		1			1				1	
10	83102-MG9-770ZB	Shelter, L. Side *pb123pa*		1	1									
10	83102-MG9-770ZC	Shelter, L. Side *nh136mu*		1										
10	83102-MG9-770ZD	Shelter, L. Side *r128pa*			1									
10	83102-MG9-770ZE	Shelter, L. Side *yr123mu*			1									
10	83102-MG9-770ZF	Shelter, L. Side *nh144m*				1								
10	83102-MG9-770ZG	Shelter, L. Side *ps142m*				1								
10	83102-MG9-770ZH	Shelter, L. Side *r137pa*					1							
10	83102-MG9-770ZJ	Shelter, L. Side *yr125m*					1							
10	83102-MG9-770ZL	Shelter, L. Side *pb140m*					1							
10	83102-MG9-770ZM	Shelter, L. Side *nh1z*							1			1		
10	83102-	Shelter, L. Side							1					

	ML8-700ZB	*nh1z*												
19	83117-ML8-700ZC	Lid, shelter (wl) *nh104mu*										1		
19	83117-ML8-770ZA	Lid, shelter (wl) *yr135m*							1					
19	83117-ML8-770ZB	Lid, shelter (wl) *pb155pa*							1					
19	83117-ML8-770ZC	Lid, shelter (wl) *nh152m*							1					
20	83119-MG9-000	Collar, lock setting	1	1	1	1		1	1		1	1		
21	83123-463-000	Holder, spring	1	1	1	1		1	1		1	1		
22	83124-463-000	Spring, shelter lid	1	1	1	1		1	1		1	1		
23	83127-MG9-000	Weatherstrip, shelter	1	1	1	1		1	1		1	1		
24	83130-MG9-770	Drip, shelter	1	1	1	1		1	1		1	1		
25	83135-463-000	Cover, spring	1	1	1	1		1	1		1	1		
26	83137-463-000	Spring a, top shelter opening	1	1	1	1		1	1		1	1		
27	83138-463-000	Spring b, top shelter opening	1	1	1	1		1	1		1	1		
28	83139-MG9-000	Rubber, top shelter tail	1	1	1	1		1	1		1	1		
29	83140-463-000	Roller, opener spring	2	2	2	2		2	2		2	2		
30	83141-MG9-000	Lock, top shelter	1	1	1	1		1	1		1	1		
31	83171-MG9-770	Blind, R. FR.	1	1	1	1		1	1					
31	83171-MG9-770ZA	Blind, R. FR. (type 1)(R58L) romany red									1	1		
31	83171-MG9-770ZB	Blind, R. FR. (type 2)(NH81L) bluish grey										1		
31	83171-MG9-770ZC	Blind, R. FR. (NH105) mat black						1	1					
32	83172-MG9-	Blind, L. FR.	1	1	1	1		1	1					

	770																	
32	83172-MG9-7707B	Blind, L. FR. (type 1)(R58L) romany red											1	1				
32	83172-MG9-770ZA	Blind, L. FR. (type 2)(NH81L) bluish grey												1				
32	83172-MG9-770ZC	Blind, L. FR. (NH105) mat black							1	1								
33	83173-MG9-770	Cap, blind	1	1	1	1			1	1								
33	83173-MG9-770ZA	Cap, blind (type 1)(R58L) romany red											1	1				
33	83173-MG9-770ZB	Cap, blind (type 2)(NH81L) bluish grey												1				
33	83173-MG9-770ZC	Cap, blind (NH105) mat black							1	1								
34	83501-MG9-010	Tray, tool	1	1	1	1			1	1								
34	83501-ML8-700	Tray, tool											1	1				
35	83901-MG9-770	Stay, R. FR. Blind setting	1	1														
35	83901-MG9-950	Stay, R. FR. Blind setting			1	1			1	1			1	1				
36	83902-MG9-770	Stay, L. FR. Blind setting	1	1	1	1			1	1								
36	83902-MG9-950	Stay, L. FR. Blind setting											1	1				
37	83910-MG9-770	Cover, R. Coupler holder	1	1	1	1			1	1								
37	83910-MG9-950	Cover, R. Coupler holder											1	1				
38	83911-MG9-770	Cover, L. Coupler holder	1	1	1	1			1	1			1	1				
39	87123-MB9-000	Emblem, top shelter (goldwing)	1		1				1				1					
39	87123-MB9-950	Emblem, top shelter		1		1				1				1				

40	87411-538-910	Rubber, RR. Emblem setting	2	2	2	2										
41	87507-371-671	Label, reserve tank	1	1												CM,E,ED,G,SW,U
41	87507-431-620	Label, reserve tank (french)	1	1												CM,F
42	87508-415-670	Mark, radiator caution	1	1	1	1		1	1			1	1			CM,E,ED,G,IT,SD,SW,U
42	87508-415-620	Label. Radiator caution (french)	1	1	1	1										CM,F
43	87512-461-770	Mark, accessories & loading	1	1	1	1		1	1			1	1			CM,E,ED,G,IT,SD,SW,U
43	87512-461-780	Mark, accessories loading caution (french)	1	1	1	1										CM,F
43	87512-463-790	Mark, accessories loading caution	1		1											G
44	87560-MG9-710	Mark, drive caution	1		1											G
44	87560-181-760ZC	Mark, drive caution *a73*	1	1	1	1		1	1			1	1			CM,E,ED,G,IT,SD,SW,U
44	87560-MB9-620	Mark, drive caution	1	1	1	1										CM,F
45	90313-567-000	Nut, speed, 3mm	18	18	18	18										
46	93491-06010-08	Bolt-washer, 6x10	2	2	2	2		18	18			18	18			
47	93491-06012-00	Bolt-washer, 6x12	2	2	2	2		2	2			2	2			
48	93491-06016-00	Bolt-washer, 6x16	2	2	2	2		2	2			2	2			
49	93491-06020-07	Bolt-washer, 6x20	1	1	1	1		1	1			1	1			
50	93903-25280	Screw, tapping, 5x12	4	4	4	4		4	4			4	4			
51	94050-06080	Nut, flange, 6mm	4	4	4	4		4	4			4	4			
52	95700-06010-07	Bolt, flange, 6x10	4	4	4	4		4	4			4	4			
53	95700-06022-00	Bolt, flange, 6x22	4	4	4	4		4	4			4	4			

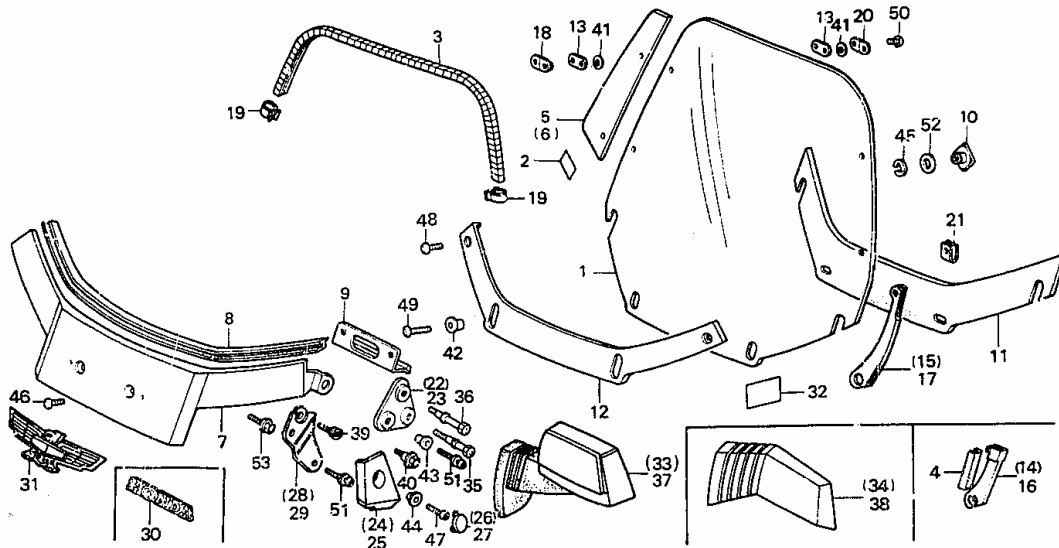


Nr	Partnr	Description	84 Std	84 Int	84 asp	85 Int	85 asp	85 Ltd	86 Int	86 asp	86 SEi	87 Int	87 asp	Serialnr	Areacode
1	17245-107-010	Rubber, air cleaner case mounting						2			2				
2	17611-MB1-000	Cushion, fuel tank FR.						2			2				
3	37220-439-007	Lock, filler lid						1			1				
4	37222-463-000	Spring, lock key setting						1			1				
5	61104-428-000	Collar, FR. Fender						4			4				
6	77251-342-000	Bag, service book						1			1				
7	83100-MG9-950ZA	Shelter assy. (wl) *yr126m*						1							
7	83100-ML8-750ZA	Shelter assy. (wl) *y108pa*									1				
8	83101-MG9-770ZK	Shelter, R. Side (wl) *yr126m*						1							
8	83101-ML8-750ZA	Shelter, R. Side (wl) *y108pa*									1				
9	83102-MG9-770ZK	Shelter, L. Side (wl) *yr126m*						1							
9	83102-ML8-750ZA	Shelter, L. Side (wl) *y108pa*									1				
10	83105-MG9-000	Spacer, shelter FR.						1			1				
11	83106-MG9-000	Spacer, shelter RR.						1			1				
12	83108-	Rubber, shelter side						2			2				

	MG9-770																		
13	83111-MG9-950	Frame a, shelter						1											
13	83111-ML8-000	Frame a, shelter										1							
14	83113-MG9-770	Stay, R. Shelter						1				1							
15	83114-MG9-770	Stay, L. Shelter						1				1							
16	83115-MG9-950	Shelter comp., Top						1				1							
17	83116-MG9-000	Frame b, shelter						1				1							
18	83117-MG9-950ZA	Lid, shelter (wl) *yr126m*						1											
18	83117-ML8-750ZA	Lid, shelter (wl) *y108pa*										1							
19	83119-MG9-000	Collar, lock setting						1				1							
20	83123-463-000	Holder, spring						1				1							
21	83124-463-000	Spring, shelter lid						1				1							
22	83127-MG9-000	Weatherstrip, shelter						1				1							
23	83130-MG9-950	Drip, shelter						1				1							
24	83135-463-000	Cover, spring						1				1							
25	83137-463-000	Spring a, top shelter opening						1				1							
26	83138-463-000	Spring b, top shelter opening						1				1							
27	83139-MG9-000	Rubber, top shelter tail						1				1							
28	83140-463-000	Roller, opener spring						2				2							
29	83141-MG9-000	Lock, top shelter						1				1							
30	83171-MG9-770ZA	Blind, R. FR. *r58l* (type 1) romany red										1							
30	83171-MG9-950	Blind, R. FR.						1				1							
31	83172-MG9-950	Blind, L. FR.						1				1							
32	83901-MG9-950	Stay, R. FR. Blind setting						1				1							
33	83902-MG9-950	Stay, L. FR. Blind setting						1				1							
34	83910-	Cover, R. Coupler						1				1							

	MG9-950	holder																	
35	83911- MG9-770	Cover, L. Coupler holder						1						1					
36	87508- 415-670	Mark, radiator caution						1						1					
36	87508- 415-620	Label, radiator caution (french)						1											
37	67512- 461-770	Mark, accessories & loading caution						1						1					
37	87512- 461-780	Mark, accessories loading caution (french)						1											
38	87560- 181- 760ZC	Mark, drive caution *a73*						1						1					
38	87560- 463- 830ZC	Mark, drive caution *a73*						1											
39	93491- 06010-08	Bolt-washer, 6x10						18						18					
40	93491- 06012-00	Bolt-washer, 6x12						2						2					
41	93491- 06016-00	Bolt-washer, 6x16						2						2					
42	93491- 06020-07	Bolt-washer, 6x20						1						1					
43	93903- 25280	Screw, tapping, 5x12						4						4					
44	94050- 06000	Nut, flange, 6mm						4											
45	94050- 06080	Nut, flange, 6mm						4						4					
46	95700- 06010-07	Bolt, flange, 6x10						4						4					
47	95700- 06022-00	Bolt, flange, 6x22						4						4					

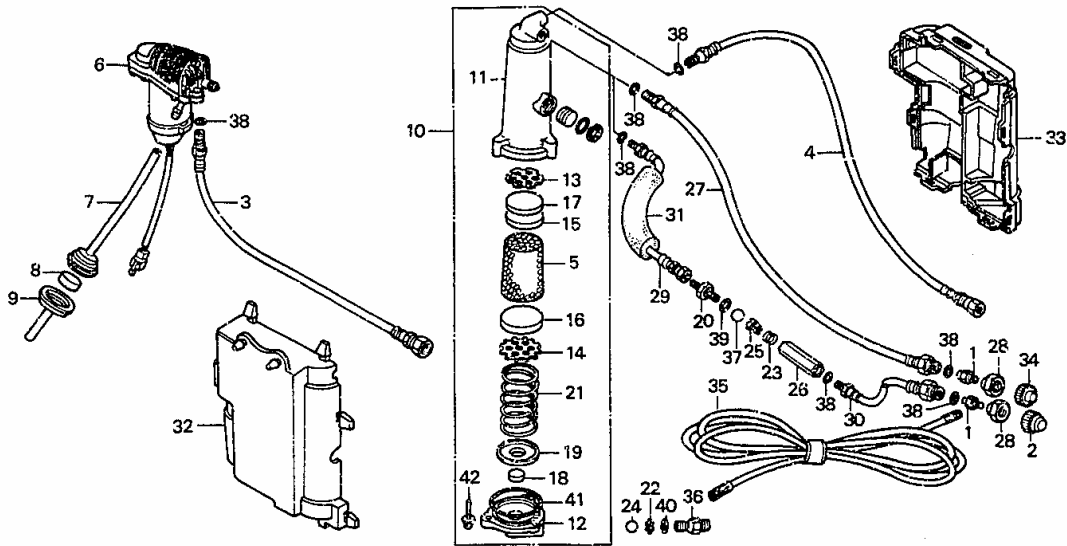
7	83700-ML8-700ZA	Cover, L. Side (wl) *r114cu*														1
7	83700-ML8-700ZB	Cover, L. Side (wl) *nh1z*														1
7	83700-ML8-700ZC	Cover, L. Side (wl) *nh104mu*														1
7	83700-ML8-750ZA	Cover, L. Side (wl) *y108pa*										1				
7	83700-ML8-770ZA	Cover, L. Side (wl) *yr135m*										1				
7	83700-ML8-770ZB	Cover, L. Side (wl) *pb155pa*										1				
7	83700-ML8-770ZC	Cover, L. Side (wl) *nh152m*										1				
8	83750-ML8-701ZA	Cover comp., L. side under *r114cu*														1
8	83750-ML8-701ZB	Cover comp., L. side under *nh1z*														1
8	83750-ML8-701ZC	Cover comp., L. side under *nh104mu*														1
9	83751-ML8-700	Protector, L.														1
10	90899-283-000	Plug, cone														3
11	94070-06080	Nut-washer, 6mm														4
12	94101-06700	Washer, plain, 6mm														4
13	96001-06010-07	Bolt, flange 6x10														2
14	96001-06032-07	Bolt, flange 6x32														2
	87506-MG9-680	Mark, battery caution					1	1	1							
	87506-MG9-690	Mark, battery caution (french)					1	1	1							CM



Nr	Partnr	Description	84 Std	84 Int	84 asp	85 Int	85 asp	85 Ltd	86 Int	86 asp	86 SEi	87 Int	87 asp	Serialnr	Areacode
1	64100-MG9-710	Screen, wind		1		1									G
1	64100-MG9-772	Screen, wind		1	1	1	1	1	1	1	1	1	1		CM
2	64101-463-891	Label, screen		1	1	1	1	1	1	1	1	1	1		
3	64105-MG9-810	Moulding, wind screen		1		1									G
4	64105-463-770	Moulding, wind sealed		2	2	2	2								E,ED,F,IT,SD,SW
4	64105-463-770	Moulding, wind sealed		2											G
5	64108-MG9-872	Screen, R. Side		1	1	1	1	1	1	1	1	1	1		CM,U
6	64109-MG9-872	Screen, L. Side		1	1	1	1	1	1	1	1	1	1		CM,U
7	64110-MG9-870	Garnish, screen		1	1	1	1	1	1	1	1	1	1		
8	64111-MG9-770	Seal, wind screen		1	1	1	1	1	1	1	1	1	1		
9	64113-MG9-770	Stay, garnish (a.)		1	1	1	1	1	1	1	1	1	1		
10	64114-MG9-770	Nut, wind screen setting		2	2	2	2	2	2	2	2	2	2		
11	64115-MG9-	Cushion, screen		1	1	1	1	1	1	1	1	1	1		

30	81128-MG9-770	Emblem, trunk upper		1	1	1	1		1	1		1	1		
31	81128-MG9-950	Emblem, trunk upper						1							
31	81128-ML8-750	Emblem, trunk upper								1					
32	87522-MG9-711	Label, windshield caution		1		1									G
32	87522-MG9-770	Label, windshield caution		1	1	1	1	1	1	1	1	1	1	1	CM,E,ED,IT,SD,SW,U
32	87522-463-970	Label, wind screen caution		1	1	1	1	1							CM,F
33	88110-MG9-681	Mirror, R. Back				1	1							To FA112958	CM
33	88110-MG9-682	Mirror, R. Back				1	1		1	1				From FA112959	CM
33	88110-MG9-683	Mirror, R. Back							1	1		1	1		
33	88110-MG9-771	Mirror, R. Back		1	1										CM
33	88110-MG9-951	Mirror, R. Back						1						To FA112958	
34	88110-MG9-952	Mirror, R. Back						1			1			From FA112959	
34	88110-MG9-953	Mirror, R. Back								1					
35	88114-MG9-680	Bolt, special				2	2	2	2	2	2	2	2		CM
35	88114-MG9-770	Bolt, special (a)		2	2	2	2	2							CM
36	88115-MG9-770	Bolt, special (b)		2	2	2	2	2	2	2	2	2	2		CM
37	88120-MG9-681	Mirror, L. Back				1	1							To FA112958	CM
37	88120-MG9-682	Mirror, L. Back				1	1		1	1				From FA112959	CM
37	88120-	Mirror, L.						1	1			1	1		

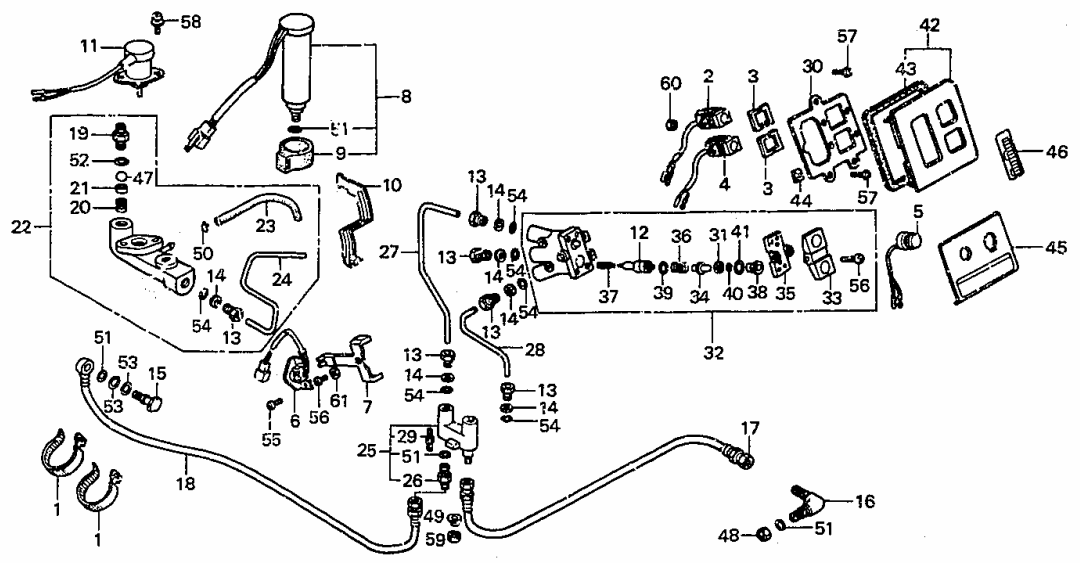
	MG9-683	Back																
37	88120-MG9-771	Mirror, L. Back	1	1														CM
37	88120-MG9-951	Mirror, L. Back					1											To FA112958
38	88120-MG9-952	Mirror, L. Back					1			1								From FA112959
38	88120-MG9-953	Mirror, L. Back								1								
39	90011-463-000	Bolt, socket, 6x12	2	2	2	2												E,ED,F,G,IT, SD,SW,U
40	90110-MG9-700	Bolt, flange, 6mm	2	2	2	2												E,ED,F,G,IT, SD,SW,U
41	90450-147-000	Washer, thrust	4	4	4	4	4											CM,U
42	90501-425-000	Collar, 6.2x12	2	2	2	2	2	2	2	2	2	2	2	2				
43	90522-170-700	Collar, gearshift lever setting	2	2	2	2	2	2	2	2	2	2	2	2				CM
44	90556-044-000	Washer, FR. Fender setting	2	2	2	2												E,ED,F,G,IT, SD,SW,U
45	90601-473-003	E-ring, 8mm	2	2	2	2	2	2	2	2	2	2	2	2				
46	93500-05010-0A	Screw, pan, 5x10	2	2	2	2	2	2	2	2	2	2	2	2				
47	93500-06012-0H	Screw, pan, 6x12	2	2	2	2												E,ED,F,G,IT, SD,SW,U
48	93500-06014	Screw, pan, 6x14	2	2	2	2	2	2	2	2	2	2	2	2				
49	93500-06022-0A	Screw, pan, 6x22	2	2	2	2	2	2	2	2	2	2	2	2				
50	93600-04006-0G	Screw, flat, 4x6	8	8	8	8	8	8	8	8	8	6	6					CM,U
50	93700-04008-0G	Screw, oval, 4x8										2	2					
51	93893-06025-08	Screw-washer, 6x25	2	2	2	2	2	2	2	2	2	2	2	2				
52	94101-10000	Washer, plain, 10mm	2	2	2	2	2											
52	94102-10000	Washer, plain, 10mm						2	2	2	2	2	2					



Nr	Partnr	Description	84 Std	84 Int	84 asp	85 Int	85 asp	85 Ltd	86 Int	86 asp	86 SEi	87 Int	87 asp	Serialnr	Areacode
1	51456-469-013	Valve comp., Air (showa)			1	1	1		1	1		1			
2	51457-MG9-951	Cap assy., Valve						1			1				
3	52645-MG9-871	Hose comp., Air			1	1	1		1	1		1			
4	52660-MG9-871	Hose comp. E, air			1	1			1			1			
4	52660-MG9-951	Hose comp., Air (e)						1			1				
5	527A2-MB9-870	Desiccant			1	1	1		1	1		1			
6	52700-MB9-871	Pump assy., Air			1	1			1			1			
6	52700-MG9-951	Pump assy., Air						1			1				
7	52705-MG9-870	Tube, air (a)			1	1	1		1	1		1			
8	52706-MB9-870	Element, pump			1	1	1		1	1		1			
9	52707-MB9-870	Tube, air (b)			1	1	1		1	1		1			
10	52710-MG9-871	Drier assy.			1	1			1			1			
10	52710-MG9-951	Drier assy.						1			1				
11	52711-MB9-951	Body, drier			1	1	1		1	1		1			
12	52712-MB9-951	Cover, drier			1	1			1			1			
12	52712-MG9-951	Cover, drier						1			1				
13	52713-MB9-870	Retainer (a)			1	1	1		1	1		1			

14	52714-MB9-870	Retainer (b)			1	1	1		1	1		1		
15	52715-MB9-870	Filter (a)			1	1	1		1	1		1		
16	52716-MB9-870	Filter (b)			1	1	1		1	1		1		
17	52717-MB9-870	Filter (c)			1	1	1		1	1		1		
18	52718-MB9-870	Filter (d)			1	1			1			1		
19	52719-MB9-870	Retainer (c)			1	1			1			1		
20	52721-MB9-951	Connector (a)					1			1				
21	52721-MG9-951	Spring, retainer setting					1			1				
21	52722-MB9-870	Spring, retainer setting			1	1			1			1		
22	52722-MG9-951	Ring, stopper					1			1				
23	52723-MB9-870	Spring, valve					1			1				
24	52723-MG9-951	Seal a					1			1				
25	52726-MB9-871	Washer, cap					1			1				
26	52729-MG9-951	Joint, hose					1			1				
27	52741-MG9-871	Hose comp., Drier			1	1			1			1		
28	52742-MG9-870	Nut, lock., 14mm			1	1	1		1	1		1		
29	52745-MG9-951	Hose comp., Air (g)					1			1				
30	52746-MG9-951	Hose comp., Drier					1			1				
31	52747-MG9-951	Protector					1			1				
32	52756-MG9-870	Cover, pump (b)			1	1	1		1	1		1		
33	52758-MG9-870	Cover, pump (a)			1	1	1		1	1		1		
34	52815-MG9-870	Cap, air valve			1	1			1			1		
35	52817-MG9-871	Hose comp., Air supply			1	1	1		1	1		1		
36	53139-MG9-871	Connector (b)			1	1			1			1		
36	53139-MG9-951	Connector (b)					1			1				
37	90211-MB9-870	Ball, steel, 10					1			1				
38	91301-469-	O-ring, 5.8x1.9			4	4	5		4	5		4		

	003																
39	91308-283-000	O-ring, 7.8x2.2					1			1							
40	91353-MG9-951	O-ring, 13.5x1.5					1			1							
41	91360-MB9-870	O-ring, 49.7x3.5			1		1	1		1	1			1			
42	93893-04020-08	Screw-washer, 4x20			3		3	3		3	3			3			



Nr	Partnr	Description	84 Std	84 Int	84 asp	85 Int	85 asp	85 Ltd	86 Int	86 asp	86 SEi	87 Int	87 asp	Serialnr	Areacode
1	32161-438-000	Band, wire			2		2			2			2		
2	35250-MB9-950	Switch assy., Pump			1		1			1			1		
3	35252-MB9-870	Seal, pump switch			2		2								
4	35260-MG9-870	Switch assy., Pump			1		1			1			1		
5	35270-MG9-871	Switch assy., Pump			1		1			1			1		
6	35300-MG9-870	Switch assy., Air pressure			1		1			1			1		
7	35310-MB9-950	Lever, air pressure switch			1		1			1			1		
8	35660-MB9-951	Sensor, air pressure			1		1			1			1		
9	35665-MB9-950	Mount, air sensor			1		1			1			1		
10	36145-MG9-870	Stay, pressure sensor			1		1			1			1		
11	36163-MG9-870	Valve comp., Solenoid			1		1			1			1		
12	51456-MB9-871	Valve, air			2		2			2			2		

13	51886-MG9-871	Tube, joint			6		6			6			6		
14	51888-SA5-800	Collar, joint			6		6			6			6		
15	52628-MG9-871	Bolt, air hose			1		1			1			1		
16	52629-MB9-950	Joint, elbow			1		1			1			1		
17	52630-MG9-871	Hose comp., Air (b)			1		1								
17	52640-MG9-951	Hose comp., Air (b)								1			1		
18	52650-MG9-871	Hose comp., Air (d)			1		1			1			1		
19	52721-MB9-951	Connector (a)			1		1			1			1		
20	52723-MB9-870	Spring, valve			1		1			1			1		
21	52726-MB9-871	Washer, cap			1		1			1			1		
22	52730-MG9-871	Joint comp., Four way			1		1			1			1		
23	52733-MG9-871	Hose, drain			1		1			1			1		
24	52734-MG9-870	Tube			1		1			1			1		
25	52735-MG9-870	Joint sub assy.			1		1			1			1		
26	52737-MG9-871	Connector			2		2			2			2		
27	52738-MG9-870	Tube			1		1			1			1		
28	52739-MG9-870	Tube			1		1			1			1		
29	52744-MG9-871	Bolt, stud, 6x22			1		1			1			1		
30	52745-MG9-	Plate, leveling switch setting			1		1			1			1		

	870																		
31	52757-MB9-871	Rubber, seal			2	2			2					2					
32	52760-MG9-870	Valve assy., Main			1	1			1					1					
33	52762-MG9-871	Button, main valve			1	1			1					1					
34	52763-MB9-871	Shaft, main valve			2	2			2					2					
35	52764-MB9-951	Cap, main valve			1	1			1					1					
36	52765-MB9-871	Spring, main valve			2	2			2					2					
37	52766-MB9-871	Sub spring, main valve			2	2			2					2					
38	52769-MB9-871	Guide, shaft			2	2			2					2					
39	52771-MB9-871	O-ring a, 7.5x1.5			2														
39	91301-053-000	O-ring, 7.5x15				2			2					2					
40	52772-MB9-871	O-ring b, 4.5x1.5			2														
40	91351-SA5-951	O-ring, 4.5x1.5 (arai)				2			2					2					
41	52773-MB9-871	O-ring c, 8.5x1.5			2														
41	91352-671-003	O-ring, 8.6x1.5 (arai)				2			2					2					
42	52810-MG9-870	Panel, valve switch			1	1			1										
42	52810-MG9-870ZA	Panel, valve switch *r58l*/type1																	1
42	52810-MG9-870ZB	Panel, valve switch *nh81l*/type2																	1
42	52810-MG9-870ZC	Panel, valve switch *nh106*/type3							1										
43	52811-MG9-770	Rubber, panel			1	1			1					1					

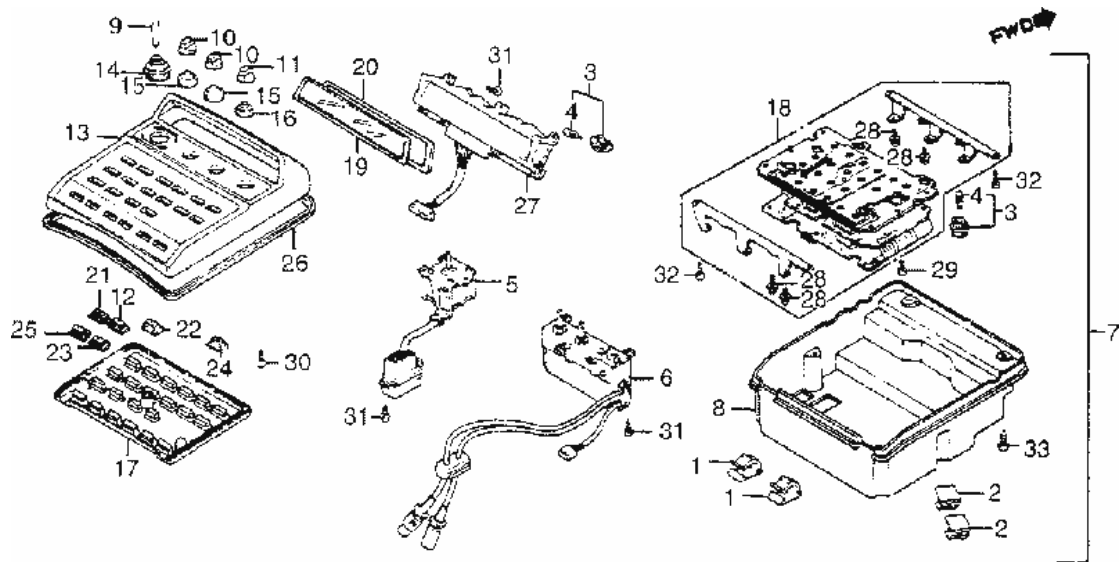
44	64521-MC7-000	Nut, clip, 4mm			3	3										
44	64521-MG9-770	Nut, clip, 4mm							3				3			
45	87519-MG9-870	Plate, air adjust caution			1	1			1				1			
45	87519-MG9-880	Plate, air adjust caution			1	1										CM,F
46	87526-MG9-850	Label, air pressure information			1	1										E,ED,F,IT,SW,U
46	87526-MG9-870	Label, air pressure information			1	1			1				1			A,AC,CM
47	90211-MB9-870	Ball, steel, 10			1	1			1				1			
48	90301-MB9-950	Nut, lock, 12mm			1	1			1				1			
49	90522-170-700	Collar, gearshift lever setting			1	1			1				1			
50	90601-MG9-871	Clip c8, tube			1											
50	95002-45000	Clip c8, tube				1			1				1			
51	91301-469-003	O-ring, 5,8x1.9			5	5			5				5			
52	91308-283-000	O-ring, 7,8x2,2			1	1			1				1			
53	91351-671-004	O-ring, 7mm (nok)			2	2			2				2			
54	91354-SA6-800	O-ring (p3)			6	6			6				6			
55	93500-03006-0A	Screw, pan, 3x6			2	2			2				2			
56	93500-03006-0H	Screw, pan, 3x6			5	5			5				5			
57	93500-04010-0G	Screw, pan, 4x10			7	7			7				7			
58	93893-05012-18	Screw-washer, 5x12			2	2			2				2			
59	94001-06000-0S	Nut, hex,, 6mm			1	1			1				1			
60	94002-04000-0S	Nut, hex,, 4mm			2	2			2				2			

61	94101-03000	Washer, plain, 3mm					1			1			1		
----	-------------	-----------------------	--	--	--	--	---	--	--	---	--	--	---	--	--

	MG9-000	terminal																
6	32412-MG9-680	Cover, battery terminal				1		1										CM,ED,G,SD
6	32412-MG9-680	Cover, battery terminal				1	1											E,IT,SW
7	32412-ML8-670	Cover, magnetic switch (b)							1	1	1	1	1					
7	32412-443-900	Cover a, magnetic switch	1	1	1	1	1	1										
8	32415-MG9-000	Cover a, magnetic switch	1	1	1	1	1	1										
8	32415-ML8-670	Cover, magnetic switch (a)							1	1	1	1	1					
9	32601-MG9-000	Cable, battery earth	1	1	1	1	1	1	1	1	1	1	1	1				
10	35550-MG9-701	Sensor, stop & taillight		1	1	1	1											E,ED,F,G,IT,SD,SW,U
10	35550-MG9-771	Sensor, stop & taillight				1	1	1	1	1	1	1	1					A,AC,CM
10	35550-MG9-772	Sensor, stop & taillight		1	1													CM
11	35551-MG9-770	Suspension, stop & taillight sensor		1	1	1	1	1	1	1	1	1	1	1				
12	35850-ME8-007	Switch assy., Starter magnetic	1	1	1	1	1	1	1	1	1	1	1	1				
13	35852-MB0-007	Cover, fuse	1	1	1													
13	35852-ME8-007	Cover, fuse				1	1	1	1	1	1	1	1	1				
14	35856-MB0-007	Rubber, shock	1	1	1	1	1	1	1	1	1	1	1	1				
15	38251-MA6-005	Cover										1		1				
16	38252-ME9-005	Base										1		1				
17	38253-422-005	Washer, plain, 3x10										1		1				

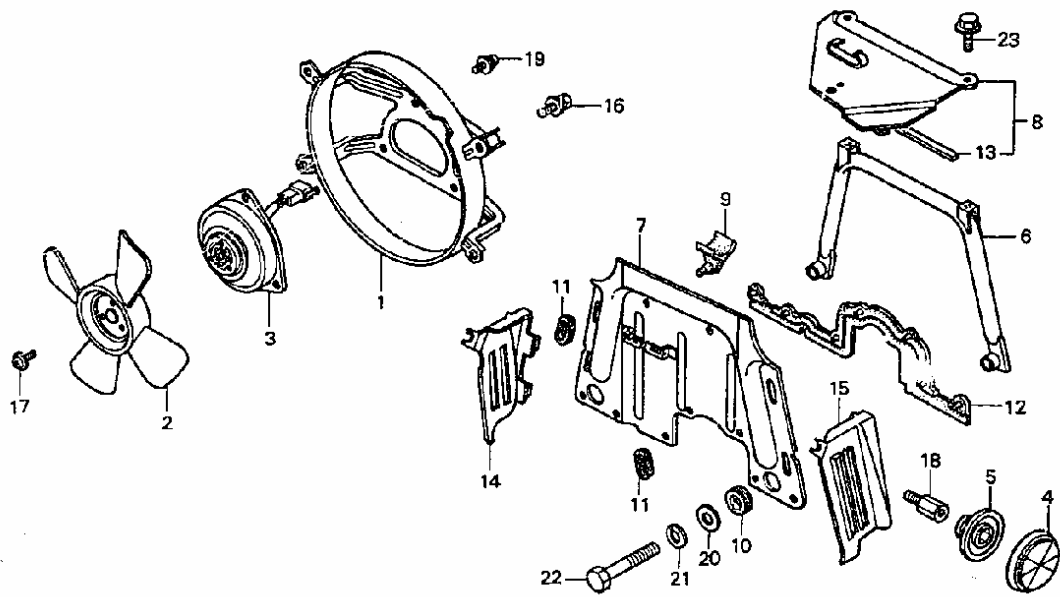
18	38255-KM4-300	Label, fuse										1		1		
19	50154-MG9-000	Stay, RR. Brake hose	1	1	1	1	1	1	1	1	1	1	1	1		
20	50325-MG9-000	Box, battery	1	1	1											
20	50325-MG9-010	Box, battery				1	1									
20	50325-MG9-950	Box, battery						1				1		1		
20	50325-ML8-000	Box, battery							1	1			1			
21	50326-MG9-000	Plate, battery support	1	1	1	1	1	1	1	1	1	1	1	1		
22	50327-463-000	Cushion, battery upper	1	1	1	1	1	1	1	1	1	1	1	1		
23	50328-MG9-000	Cushion, battery lower	1	1	1	1	1	1	1	1	1	1	1	1		
24	50329-MG9-000	Tube, battery	1	1	1											
24	50329-MG9-680	Tube, battery				1	1	1	1	1	1	1	1	1		
25	90071-MB0-000	Nut-washer, 6mm	1	1	1	1	1	1	1	1	1	1	1	1		
26	90103-KM9-005	Screw, special, 3x10										1		1		
27	92300-06012-0A	Bolt, slotted, 6x12							1	1	1	1	1			
27	92400-06012	Bolt, slotted, 6x12	1	1	1	1	1	1								
28	93500-03008-0A	Screw, pan, 3x8										1		1		
29	93500-04006-1H	Screw, pan, 4x6	1	1	1	1	1	1	1	1	1	1	1	1		
30	93500-04010-1H	Screw, pan, 4x10	1	1	1	1	1	1	1	1	1	1	1	1		
31	94002-06000	Nut, hex., 6mm	2	2	2											
31	94002-	Nut, hex., 6mm				2	2	2						2	2	

	06000-0S															
32	94002-06080-0S	Nut, hex., 6mm							3	3	3	3	3			
33	94101-04800	Washer, plain, 4mm	2	2	2	2	2	2	2	2	2	2	2			
34	94101-06800	Washer, plain, 6mm											2	2		
35	94111-03800	Washer, spring, 3mm										1		1		
36	94111-06000	Washer, spring, 6mm	2	2	2	2	2	2	3	3	3	3	3			
37	94111-06800	Washer, spring, 6mm											2	2		
38	94201-40550	Pin, split, 4x55	1	1	1	1	1	1	1	1	1	1	1	1		
39	95700-06012-08	Bolt, flange, 6x12	2	2	2	2	2	2	2	2	2	2	2			
40	95700-06014-08	Bolt, flange, 6x,14	1	1	1	1	1	1	1	1	1	1	1	1		
41	98200-53000	Fuse f (30a)	2	2	2	2	2	2	2	2	4	2	4			

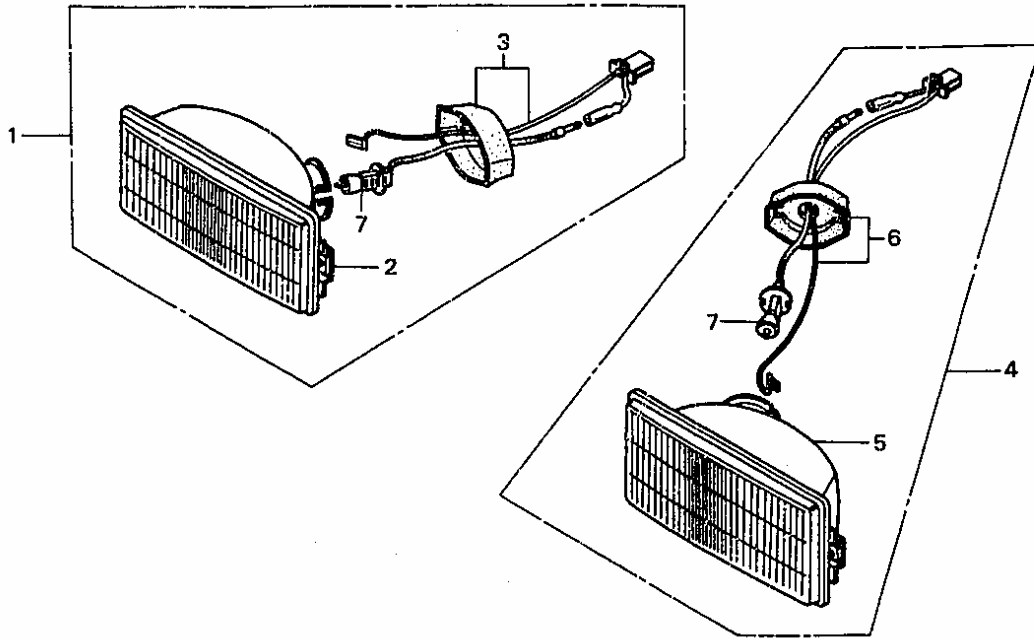


Nr	Partnr	Description	84 Std	84 Int	84 asp	85 Int	85 asp	85 Ltd	86 Int	86 asp	86 SEi	87 Int	87 asp	Serialnr	Areacode
1	32911-MG9-950	Clamp, cable (a)						2			2				
2	32912-MG9-950	Clamp, cable (b)						2			2				
3	35505-SA5-003	Bulb & socket (14v 1.4w) (ns)						8			8				
4	35506-SA5-003	Bulb (14v 1.4w) (ns)						8			8				
5	39170-MG9-951	Balancer, speaker (4)						1			1				
6	39190-MG9-951	Volume unit, auto						1			1				
7	39800-MG9-951	Navigator assy., Electronic						1							
7	39800-MG9-952	Navigator assy., Electronic									1				
8	39801-MG9-951	Case comp., Lower						1			1				
9	39802-MG9-951	Knob, balancer						1			1				
10	39803-MG9-951	Knob, volume						2			2				
11	39804-MG9-951	Knob, clock						1			1				
12	39805-MG9-951	Knob (a)						3			3				
13	39806-MG9-951	Case comp., Upper						1			1				
14	39807-MG9-951	Packing, balancer						1			1				
15	39808-MG9-951	Packing, autovolume						2			2				
16	39809-MG9-951	Packing, clock adjuster						1			1				

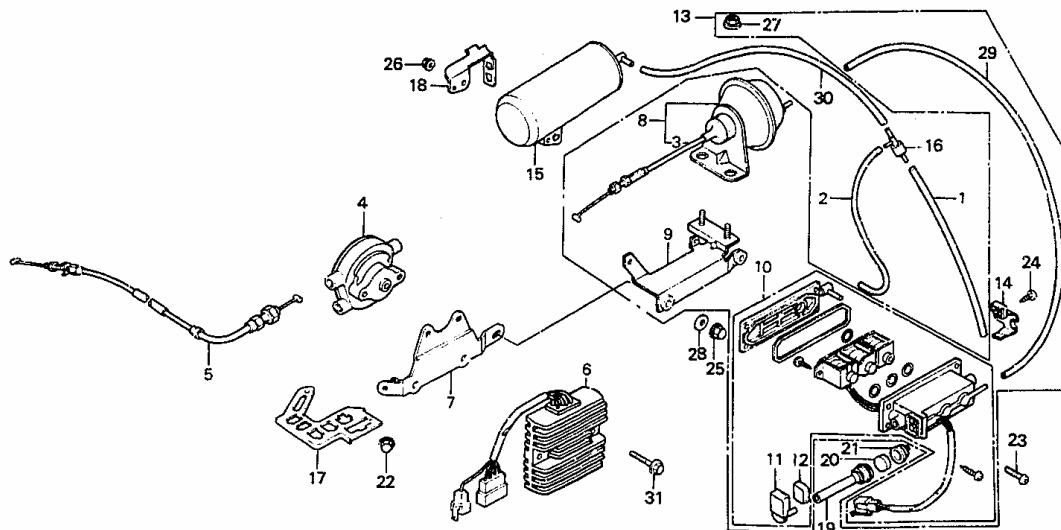
17	39810-MG9-951	Rubber						1			1			
18	39811-MG9-951	Circuit comp,						1						
18	39811-MG9-952	Circuit comp,									1			
19	39812-MG9-951	Lens						1			1			
20	39813-MG9-951	Packing, lens						1			1			
21	39814-MG9-951	Knob, volume						5			5			
22	39815-MG9-951	Knob, green						3			3			
23	39816-MG9-951	Knob, orange						7			7			
24	39817-MG9-951	Knob, yellow						3			3			
25	39818-MG9-951	Knob, gray						1			1			
26	39819-MG9-951	Packing, upper case						1			1			
27	39821-MG9-951	L.c.d. unit						1			1			
28	90164-MG9-811	Screw-washer, 3x8						14			14			
29	93893-04008-18	Screw-washer, 4x8						2			2			
30	93901-32020	Screw, tapping, 3x6						3			3			
31	93901-32120	Screw, tapping 3x8						11			11			
32	93901-32220	Screw, tapping 3x10						7			7			
33	93901-34380	Screw, tapping, 4x12						6			6			



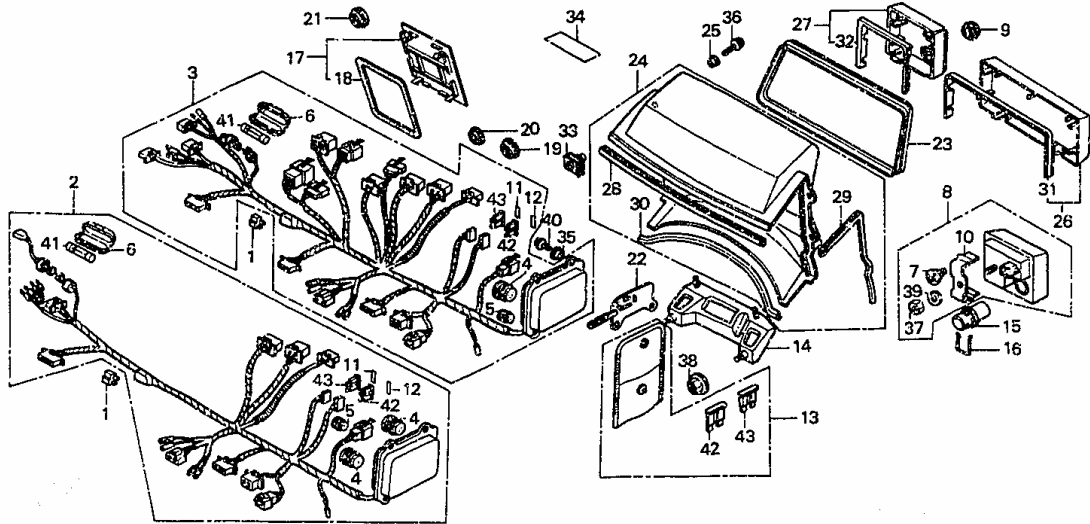
Nr	Partnr	Description	84	84	84	85	85	85	86	86	86	87	87	Serialnr	Areacode
			Std	Int	asp	Int	asp	Ltd	Int	asp	SEi	Int	asp		
1	19020-MG9-003	Shroud comp.	1	1	1	1	1		1	1		1			
1	19020-MG9-951	Shroud comp.						1			1		1		
2	19025-MG9-003	Fan, cooling	1	1	1	1	1	1	1	1	1	1	1		
3	19030-MG9-003	Motor assy., Fan	1	1	1	1	1	1	1	1	1	1	1		
4	33741-413-003	Reflector, FR. Reflex (stanley)	2												
5	33743-MG9-670	Base, reflex reflector	2												
6	50353-MG9-000	Rod, torque	1	1	1	1	1		1	1		1	1		
6	50353-MG9-950	Rod, torque						1			1				
7	62401-MG9-000	Shroud A	1	1	1										
7	62401-MG9-681	Shroud A				1	1		1	1		1	1		
7	62401-MG9-950	Shroud A						1			1				
8	62402-MG9-000	Shroud B	1	1	1	1	1								
8	62402-MG9-950	Shroud B						1	1	1	1	1	1		
9	62403-MG9-000	Rubber A	2	2	2	2	2	2	2	2	2	2	2		
10	62403-371-000	Rubber, shroud mounting	2	2	2	2	2	2	2	2	2	2	2		
11	62404-	Grommet	4	4	4	4	4	4	4	4	4	4	4		



Nr	Partnr	Description	84 Std	84 Int	84 asp	85 Int	85 asp	85 Ltd	86 Int	86 asp	86 SEi	87 Int	87 asp	Serialnr	Areacode
1	33200-MG9-951	Lamp assy., R. Cornering						1			1				
2	33201-MG9-951	Lens comp., R.						1			1				
3	33202-MG9-951	Cord comp., R.						1			1				
4	33250-MG9-951	Lamp assy., L. Cornering						1			1				
5	33251-MG9-951	Lens comp., L.						1			1				
6	33252-MG9-951	Cord comp., L.						1			1				
7	34902-MG9-951	Bulb (h3 12v35w)						2			2				

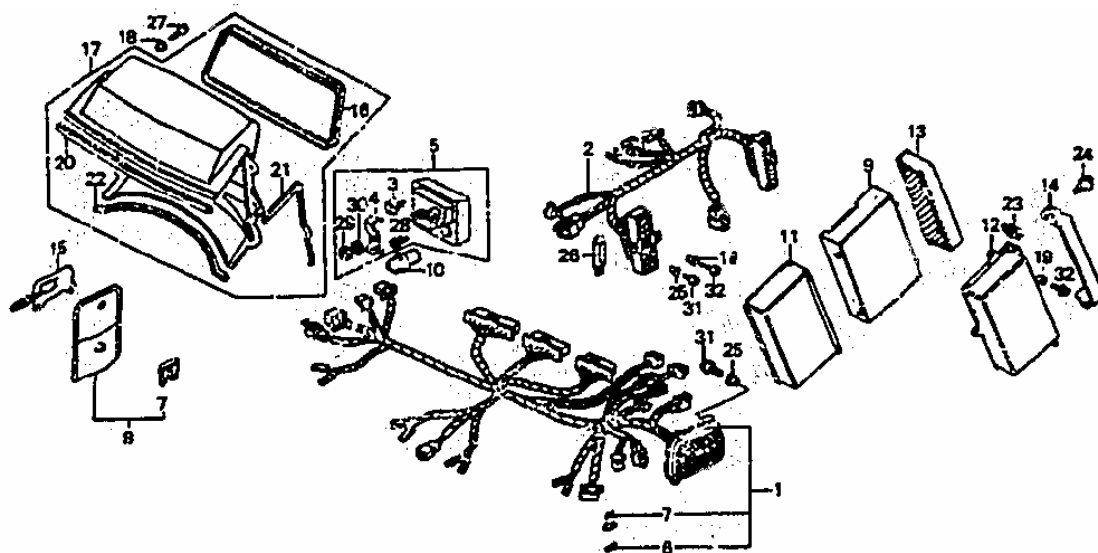


Nr	Partnr	Description	84 Std	84 Int	84 asp	85 Int	85 asp	85 Ltd	86 Int	86 asp	86 SEi	87 Int	87 asp	Serialnr	Areacode
1	17161-MG9-950	Tube (2)						1			1				
2	17162-MG9-950	Tube (4)						1			1				
2	17162-ML8-700	Tube (4)											1		
3	17880-MG9-951	Cable comp., Actuator						1			1		1		
4	17900-MG9-951	Box assy., Junction						1			1		1		
5	17930-MG9-950	Cable comp., Carburetor throttle						1			1		1		
6	31600-MG9-951	Rectifier assy., Regulate						1			1				
7	31605-MG9-950	Stay, regulate rectifier						1			1				
8	36520-MG9-951	Actuator assy.						1			1		1		
9	36525-MG9-951	Bracket, valve & actuator						1			1		1		
10	36530-MG9-952	Valve assy., Cruise						1			1		1		
11	36531-MG9-951	Cover comp., Filter						1			1		1		
12	36532-MG9-951	Filter, suction						1					1		
13	36540-MG9-952	Valve & actuator assy.						1			1		1		
14	36541-MG9-951	Plate, nozzle guard						1			1		1		
15	36625-MG9-951	Tank comp., Vacuum						1			1		1		
16	36627-PC1-004	Valve, check						1			1		1		



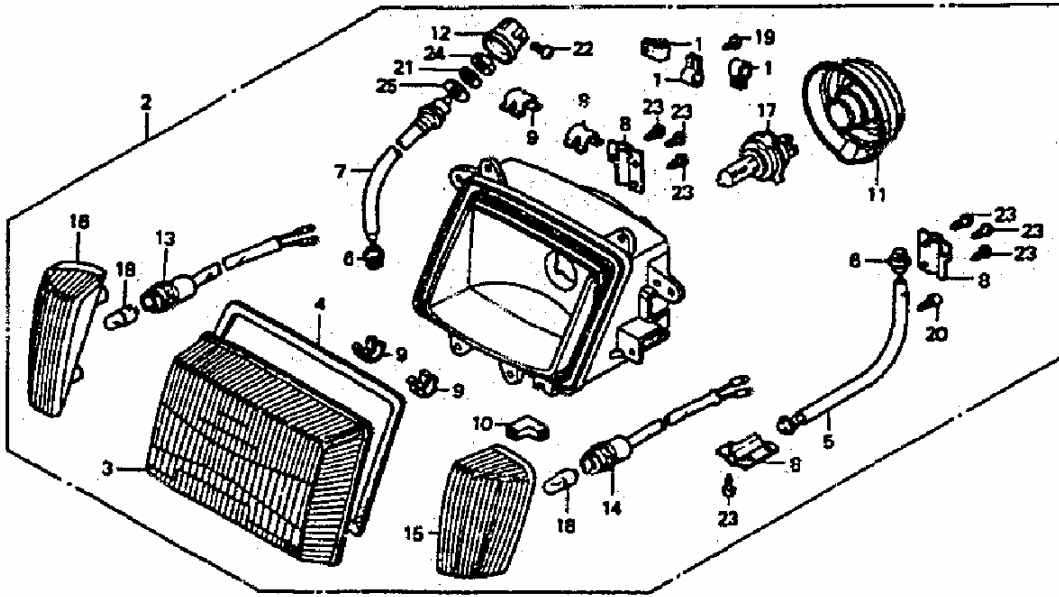
Nr	Partnr	Description	84 Std	84 Int	84 asp	85 Int	85 asp	85 Ltd	86 Int	86 asp	86 SEi	87 Int	87 asp	Serialnr	Areacode
1	31710-371-008	Rectifier, silicon (shindengen)		1	1	1									
2	32105-MG9-660	Harness, fairing sub wire				1									
2	32105-MG9-770	Harness, fairing sub wire		1											
3	32105-MG9-870	Harness, fairing sub wire			1										E,ED,F,SW,U
3	32105-MG9-930	Harness, fairing sub wire			1		1								CM,IT
3	32105-MG9-930	Harness, fairing sub wire					1								E,SW
3	32105-ML8-601	Harness, fairing sub wire										1			
3	32105-ML8-670	Harness, fairing sub wire							1						
3	32105-ML8-701	Harness, fairing sub wire													
3	32105-ML8-770	Harness, fairing sub wire							1				1		
4	32121-MG9-771	Seal, rubber (a)		2	1	2	1		2	1		2	1		
5	32122-MG9-771	Seal, rubber (b)		1	1	1	1		1	1		1	1		

	770																			
23	64239-MG9-770	Rubber, meter panel	1															To EA020873		AC
23	64239-MG9-771	Rubber, meter panel	1															From 4022800		
23	64239-MG9-771	Rubber, meter panel	1	1														From EA020848		CM
23	64239-MG9-771	Rubber, meter panel	1															From EA020813		A
23	64239-MG9-771	Rubber, meter panel	1															From EA020874		AC
23	64239-MG9-771	Rubber, meter panel		1														From 6021953		E,ED,F,SW,U
23	64239-MG9-771	Rubber, meter panel		1														From EA020960		A
23	64239-MG9-771	Rubber, meter panel		1														From EA020951		AC
23	64239-MG9-771	Rubber, meter panel	1	1	1	1			1	1			1	1						
24	64240-MG9-770	Panel, meter	1															To 4022799		
24	64240-MG9-770	Panel, meter	1	1														To EA020849		CM
24	64240-MG9-770	Panel, meter	1															To EA020812		A
24	64240-MG9-770	Panel, meter	1															To EA020873		AC
24	64240-MG9-770	Panel, meter		1														To 6021952		E,ED,F,SW,U
24	64240-MG9-770	Panel, meter		1														To EA020959		A
24	64240-MG9-770	Panel, meter		1														To EA020950		AC
24	64240-MG9-771	Panel, meter	1															From 4022800		
24	64240-MG9-771	Panel, meter	1	1														From EA020848		CM



Nr	Partnr	Description	84	84	84	85	85	85	86	86	86	87	87	Serialnr	Areacode
			Std	Int	asp	Int	asp	Ltd	Int	asp	SEi	Int	asp		
1	32105-MG9-550	Harness, L. Fairing sub wire						1							
1	32105-ML8-750	Harness, L. Fairing sub wire									1				
2	32111-MG9-950	Harness, R. Fairing sub wire						1							
2	32111-ML8-750	Harness, R. Fairing sub wire									1				
3	34908-MJ3-003	Bulb, wedge base						1			1				
4	37462-MG9-951	Spring, volt meter setting									1				
5	37480-MG9-951	Voltmeter assy.						1			1				
6	38225-ML8-670	Label, fuse (3a)									1				
7	38230-ML8-000	Fuse, blade (3a)									2				
7	98200-30750	Fuse, blade (7.5a)						2							
8	38240-MG9-950	Fuse assy., Spare						1							
8	38240-ML8-750	Fuse assy., Spare									1				
9	38600-MG9-951	Controller, RR. Height control						1							
9	38600-ML8-751	Controller, RR. Height control									1				
10	39351-MG9-871	Lock assy., Radio						1			1				
11	52551-MG9-950	Cover, coin pocket upper						1			1				
12	52552-MG9-950	Box, coin pocket upper						1			1				

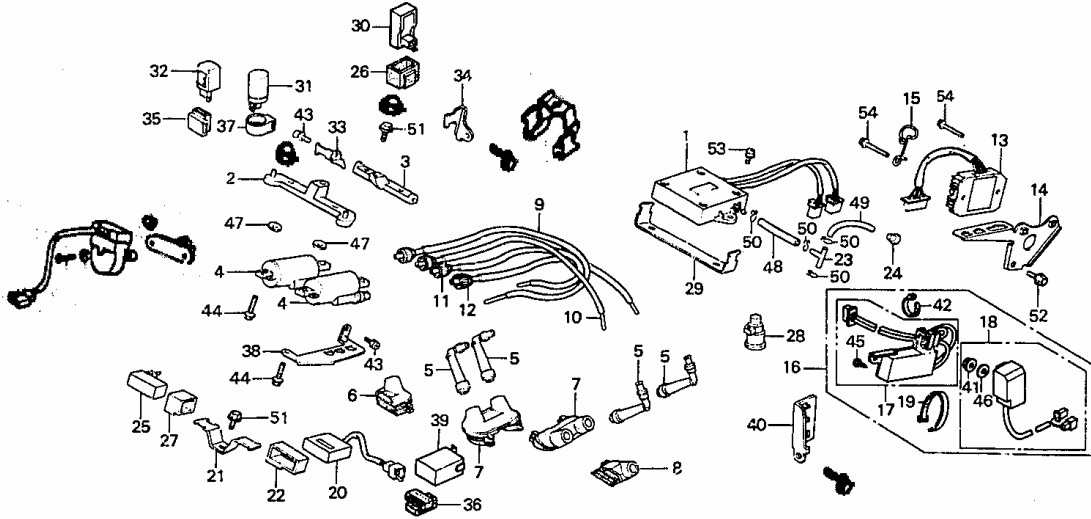
13	52554-MG9-950	Cushion, coin pocket upper cover						1			1				
14	52555-MG9-950	Cover, coin pocket upper						1			1				
15	64237-MG9-770	Plate, fuse setting						1			1				
16	64239-MG9-770	Rubber, meter panel						1			1				
17	64240-MG9-950	Panel, meter						1			1				
18	64243-MG9-870	Collar, meter panel						8			4				
19	64263-MA2-000	Collar, leg shield setting						3			3				
20	64271-MG9-770	Rubber, meter panel (a)						1			1				
21	64272-MG9-770	Rubber, meter panel (b)						2			2				
22	64273-MG9-770	Rubber, meter panel (c)						1			1				
23	64529-MC7-000	Nut, clip, 6mm						2			2				
24	90111-GA6-680	Bolt, flange, 6mm						2			2				
25	90402-GB0-900	Washer, number bracket setting						5			5				
26	91406-671-000	Clip, wire harness						1			1				
27	93891-04025-00	Screw-washer, 4x25						4			4				
28	93903-22310	Screw, tapping, 3x12						1			1				
29	94001-05000-08	Nut, hex., 5mm						1			1				
30	94111-05800	Washer, spring. 5mm						1			1				
31	95700-06012-07	Bolt, flange, 6x12						6			5				
32	95700-06016-00	Bolt, flange, 6x16						3			3				



Nr	Partnr	Description	84 Std	84 Int	84 asp	85 Int	85 asp	85 Ltd	86 Int	86 asp	86 SEi	87 Int	87 asp	Serialnr	Areacode
1	32910-MG9-771	Clamp, cord							3	3	3	3	3		
2	33100-MG9-711	Light assy., Head & position		1	1	1	1								ED,G,IT, SD,SW
2	33100-MG9-771	Light assy., Head & position		1	1	1	1	1	1	1	1	1	1		A,AC,CM, E,U
2	33100-MG9-781	Light assy., Head & position		1	1										F
3	33102-MC7-611	Lens, headlight		1	1	1	1								ED,F,G,IT, SD,SW
3	33102-MG9-771	Lens, headlight		1	1	1	1	1	1	1	1	1	1		A,AC,CM, E,U
4	33103-MG9-771	Packing, seal		1	1	1	1	1	1	1	1	1	1		
5	33108-MG9-771	Cable comp. A, beam adjusting		1	1	1	1	1	1	1	1	1	1		
6	33109-MG9-771	Gear, beam adjusting		2	2	2	2	2	2	2	2	2	2		
7	33111-MG9-771	Cable comp. B, beam adjusting		1	1	1	1	1	1	1	1	1	1		
8	33112-MG9-771	Holder, beam adjust		3	3	3	3	3	3	3	3	3	3		
9	33113-	Clip, lens holder		4	4	4	4	4	4	4	4	4	4		

14	53214-371-010	Dust seal, steering head	1	1	1	1	1	1	1	1	1	1	1		
15	53220-422-000	Thread comp., Steering head top	1	1	1	1	1	1	1	1	1	1	1		
16	53223-371-010	Holder, grease	1	1	1	1	1	1	1	1	1	1	1		
17	61401-MG9-000	Cover, FR.	1												
18	61402-MG9-000	Emblem, FR. Cover	1												
19	61403-MG9-770	Protector, wind		1	1	1	1	1	1	1	1	1	1		
20	61404-MG9-770	Bolt, special		2	2										
20	61404-MG9-680	Bolt, special				2	2	2	2	2	2	2	2		
21	61405-MG9-000	Tube, rubber	2												
22	61405-MG9-770	Stay, FR. Brake hose		1	1	1	1	1	1	1	1	1	1		
23	61410-MG9-770	Guide, brake hose		1	1	1	1	1	1	1	1	1	1		
24	83551-300-000	Grommet, air cleaner case	1												
25	90009-MG9-000	Bolt, flange socket, 6x14	2												
26	90116-391-670	Bolt, socket	4	4	4	4	4	4	4	4	4	4	4		
27	90302-425-830	Thread, steering head top (b)	1	1	1	1	1	1	1	1	1	1	1		
28	90506-425-830	Washer, lock	1	1	1	1	1	1	1	1	1	1	1		
29	91015-425-831	Bearing, head pipe upper (toyo)	1	1	1	1	1	1							
29	91015-425-832	Bearing, head pipe upper (nachi)							1	1	1	1	1		
30	91016-371-000	Bearing, head pipe under	1	1	1	1	1	1	1	1	1	1	1		
31	93893-05010-07	Screw-washer, 5x10		2	2	2	2	2	2	2	2	2	2		
32	93893-05020-08	Screw-washer, 5x20	2												
33	93894-05010-07	Screw-washer, 5x70	1	1	1	1	1	1	1	1	1	1	1		
34	94021-06070-0S	Nut, cap, 6mm	2												
35	94101-05800	Washer, plain, 5mm		2	2	2	2	2	2	2	2	2	2		
36	94101-06700	Washer, plain, 6mm	2												
37	94111-05800	Washer, spring, 5mm		2	2	2	2	2	2	2	2	2	2		
38	95900-	Bolt, flange, 6x10		2	2	2	2	2	3	3	3				

	06010-08																	
38	95700-06010-08	Bolt, flange, 6x10											3	3				



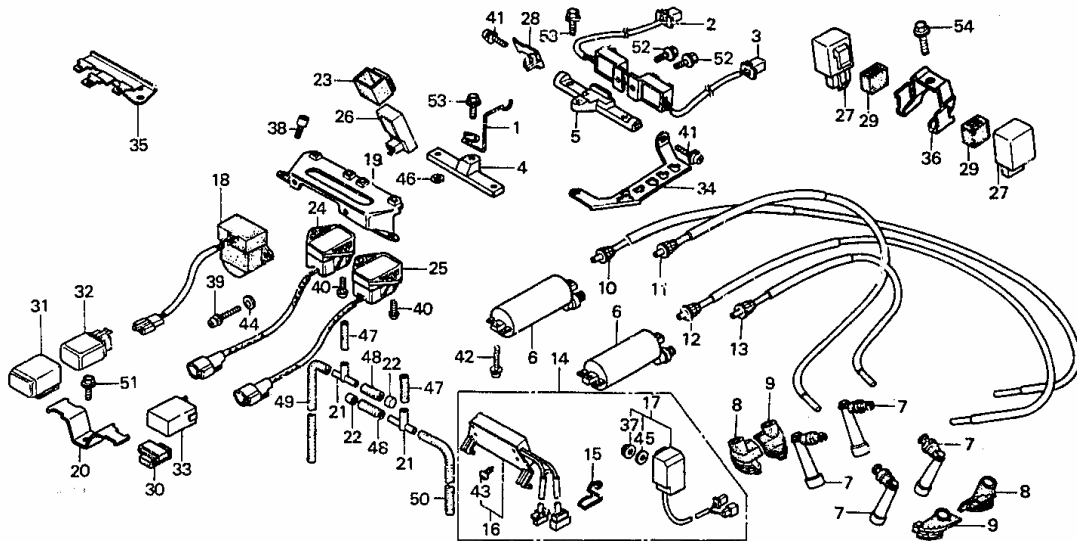
Nr	Partnr	Description	84 Std	84 Int	84 asp	85 Int	85 asp	85 Ltd	86 Int	86 asp	86 SEi	87 Int	87 asp	Serialnr	Areacode
1	30400-MG9-004	Igniter unit	1	1	1										
1	30400-MG9-741	Igniter unit				1	1		1	1		1	1		
2	30501-MG9-000	Stay a, ignition coil	1	1	1	1	1		1	1					
2	30501-MG9-950	Stay a, ignition coil										1	1		
3	30502-MG9-000	Stay b, ignition coil	1	1	1	1	1		1	1		1	1		
4	30510-MA6-013	Coil comp., Ignition	2	2	2	2	2		2	2		2	2		
5	30700-MB9-153	Cap assy., Noise suppressor	4	4	4	4	4		4	4		4	4		
6	30705-MG9-770	Seal, R. Suppressor		2	2	2	2		2	2		2	2		
7	30705-463-000	Seal, suppressor	2												
8	30706-MG9-770	Seal, L. Suppressor		2	2	2	2		2	2		2	2		
9	30751-MG9-000	Cord set, hightension (1-1)	1	1	1	1	1		1	1		1	1		
10	30752-MG9-000	Cord set, hightension (2-2)	1	1	1	1	1		1	1		1	1		

	MB9-781	winker														
21	35228-MG9-000	Stay, cancel unit	1	1	1											
21	35228-MG9-680	Stay, cancel unit				1	1		1	1		1	1			
22	35229-MB9-781	Cushion	1	1	1											
23	36010-PA6-004	Joint, three way	1	1	1	1	1		1	1		1	1			
24	36034-PD1-000	Plug, sealing	1	1	1	1	1		1	1		1	1			
25	36100-471-701	Relay, fuel cut							1	1		1	1			
25	36100-MB1-701	Relay, fuel cut	1	1	1	1	1									
26	36101-MB1-000	Suspension, fuel cut relay				1	1		1	1		1	2			
27	36101-MG9-000	Suspension, fuel cut relay	1	1	1	1	1		1	1		1	1			
28	36130-MC7-003	Relay comp., Main	1	2	1	2			1	2		1				A,AC,CM,ED, F,G,SD,U
28	36130-MC7-003	Relay comp., Main		1	2	1	1									E,IT,SW
29	36135-MG9-000	Stay, main relay		1	1											
29	36136-MG9-680	Stay, coupler				1	1									
29	36136-ML8-000	Stay, coupler							1	1		1				
29	36136-ML8-700	Stay, coupler											1			
30	37640-MB1-701	Check unit, pilot lamp				1	1		1	1		1	2			
31	38301-MG9-671	Flasher, combination	1	2	2											
32	38301-MG9-	Flasher, combination	1	2	2	2	2		2	2		2	2			A,AC,CM,E,ED, F,G,IT,SW,U

	672																
32	38301-MG9-672	Flasher, combination				1											SD
32	38301-MG9-681	Relay comp., Winker				2	2		2	2		2	2				A,AC,CM,E,ED,G,IT,SW,U
32	38301-MG9-681	Relay comp., Winker				1											SD
33	38305-MG9-000	Stay, winker relay	1	1	1	1	1		1	1							
34	38305-MG9-870	Stay, relay (b)				1	1			1							
35	38306-GE7-008	Suspension, winker relay	1	2	2	2	2										CM,E,ED,F,G,IT,SW,U
35	38306-GE7-008	Suspension, winker relay				1											SD
37	38306-GE8-008	Suspension, winker relay										2	2				
35	38306-KJ6-740	Suspension, winker relay	1	2	2	2	2		2	2							CM,E,ED,F,G,IT,SW,U
35	38306-KJ6-740	Suspension, winker relay				1											SD
37	38306-KK4-000	Suspension, winker relay										2	2				
36	38306-ME9-771	Suspension, winker relay				1	1		1	1		1	1				
37	38308-292-000	Suspension, winker relay	1	2	2												
38	38308-MG9-000	Holder, coupler	1	1	1												
38	38308-MG9-680	Holder, coupler				1	1		1	1		1	1				
39	38601-MB3-671	Relay comp., Position				1	1		1	1		1	1				
	50230-MG9-950	Holder, relay										1	1				
40	83171-MG9-770	Holder, coupler		1	1	1	1		1	1		1					

41	90105-MG9-871	Nut, flange cap 5mm			(1)	(1)											CM,E,ED,F,SW
	90201-415-000	Nut, cap, 6mm										2		From HA309041			A
	90201-415-000	Nut, cap, 6mm										2		From HA307111			AC
	90201-415-000	Nut, cap, 6mm											3	From HA309126			A
	90201-415-000	Nut, cap, 6mm											3	From HA306891			AC
42	90651-MA6-720	Band, wire harness			(1)	(1)											CM,E,ED,F,SW
	93500-04018-0H	Screw, pan, 4x18											2				
43	93892-06012-08	Screw-washer, 6x12	2	2	2	2	2		2	2		1	1				
44	93892-06025-08	Screw-washer, 6x25										4	4				
44	93892-06025-08	Screw-washer, 6x25							4					From GA211016			A
44	93892-06025-08	Screw-washer, 6x25							4					From GA210996			AC
44	93892-06025-08	Screw-washer, 6x25								4				From GA211256			A
44	93892-06025-08	Screw-washer, 6x25								4				From GA212271			AC
44	93892-06028-18	Screw-washer, 6x28	4	4	4												
44	93892-06028-08	Screw-washer, 6x26				4	4										
45	93901-22320	Screw, tapping, 3x12			(4)	(4)											CM,E,ED,F,SW
	94101-04000	Washer, plain, 4mm											2				
46	94101-05700	Washer, plain, 5mm			(1)	(1)											CM,E,ED,F,SW
47	94101-06800	Washer, plain, 6mm	2	2	2	2	2		4	4		2	2				
48	95001-	Hose, fuel,											1				

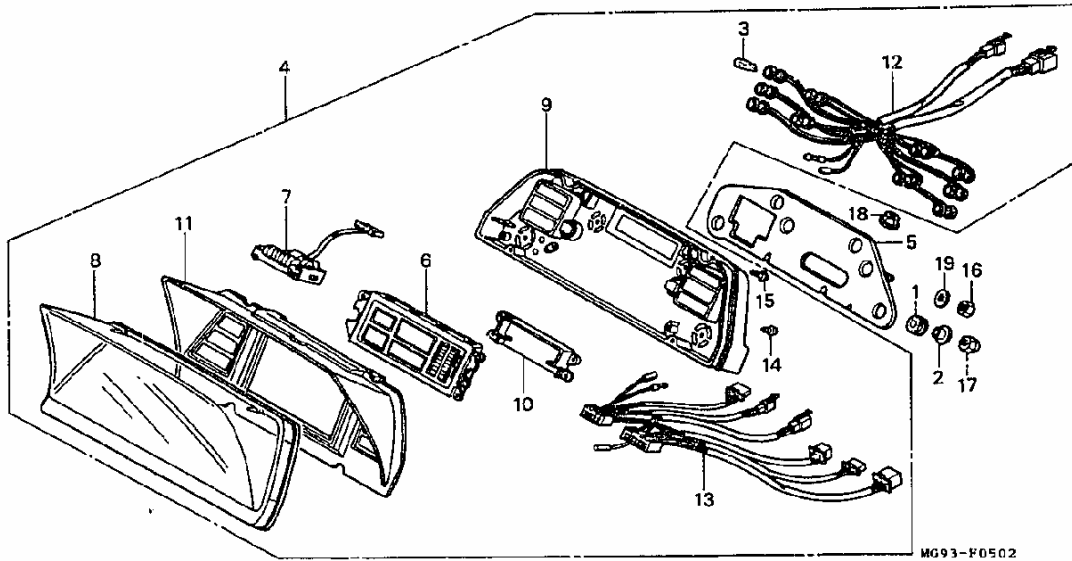
	35080-20	3.5x80														
48	95001-35100-40	Tube, fuel, 3.5x100	1	1	1	1	1		1	1		1				
49	95001-35110-40	Tube, fuel, 3.5x110	1	1	1	1	1		1	1		1	1			
50	95002-02650	Clip B6.5, tube	4	4	4	4	4		4	4						
51	95700-06010-07	Bolt, flange, 6x10	3	3	3	3	3		1	1		1	1			
52	95700-06010-08	Bolt, flange, 6x10	1	1	1	1	1		1	1		1				
	95700-06012-00	Bolt, flange, 6x12	2	2	2				4	4		3	3			
51	95700-06016-00	Bolt, flange, 6x16							2	2						
51	95700-06016-00	Bolt, flange, 6x16										2		To HA309040	A	
51	95700-06016-00	Bolt, flange, 6x16										2		To HA307110	AC	
51	95700-06016-00	Bolt, flange, 6x16										2		To HA309125	A	
51	95700-06016-00	Bolt, flange, 6x16										2		To HA306870	AC	
53	95700-06020-08	Bolt, flange, 6x20				2	2									
54	95700-06035-00	Bolt, flange, 6x35	2	2	2	2	2		1	1		1	2			
54	95700-06040-08	Bolt, flange, 6x40							1	1		1	2			



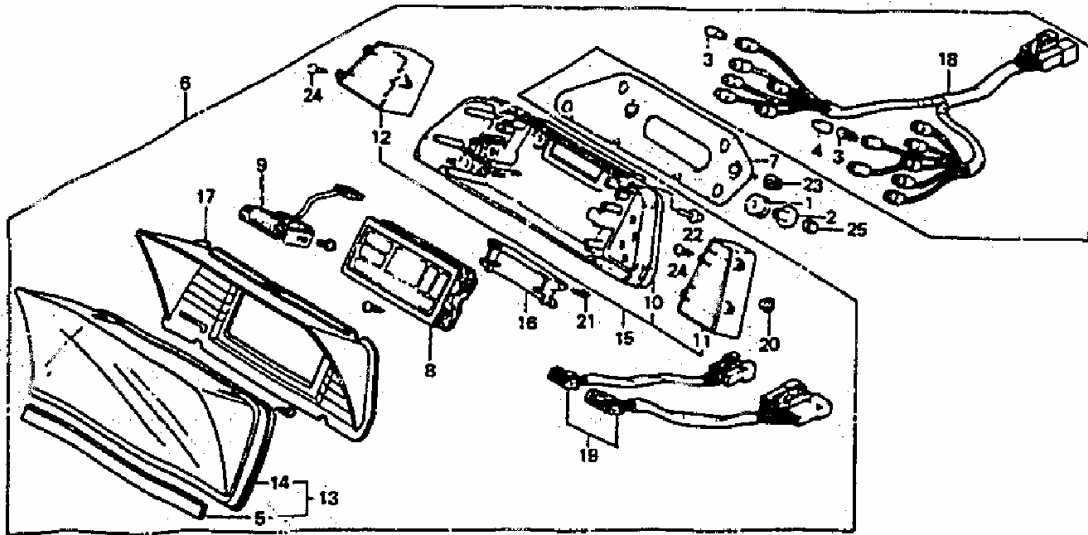
Nr	Partnr	Description	84 Std	84 Int	84 asp	85 Int	85 asp	85 Ltd	86 Int	86 asp	86 SEi	87 Int	87 asp	Serialnr	Areacode
1	17925-MG9-950	Guide, throttle cable						1			1				
2	30400-MG9-950	Unit assy., R. Spark						1			1				
3	30401-MG9-950	Unit assy., L. Spark						1			1				
4	30501-MG9-950	Stay a, ignition coil						1			1				
5	30502-MG9-950	Stay b, ignition coil						1							
5	30502-ML8-750	Stay b, ignition coil									1				
6	30510-MA6-013	Coil comp., Ignition						2			2				
7	30700-MB9-153	Cap assy., Noise suppressor						4			4				
8	30705-MG9-770	Seal, R. Suppressor						2			2				
9	30706-MG9-770	Seal, L. Suppressor						2			2				
10	30751-MG9-000	Cord set, hightension (1-1)						1							
10	30751-ML8-750	Cord set, hightension (1-1)									1				
11	30752-MG9-000	Cord set, hightension (2-2)						1							
11	30752-ML8-750	Cord set, hightension (2-2)									1				
12	30753-MG9-000	Cord set, hightension (3-3)						1							
12	30753-ML8-750	Cord set, hightension (3-3)									1				
13	30754-MG9-000	Cord set, hightension (4-4)						1							

13	30754-ML8-750	Cord set, hightension (4-4)								1				
14	31610-MG9-950	Filter kit, radio noise					(1)							
15	31612-ML8-750	Holder, coupler (8p)					(1)			1				
16	31620-ML8-750	Filter, regulate rectifier					(1)			1				
17	31630-ML8-770	Filter, line					(1)			1				
18	35160-MG9-950	Sensor assy., Kill					1			1				
19	35165-MG9-950	Stay, sensor					1			1				
20	35228-MG9-680	Stay, cancel unit					1			1				
21	36010-PA6-004	Joint, three way					2			2				
22	36034-PD1-000	Plug, sealing					2			2				
23	36101-MB1-000	Suspension, fuel cut relay					1			1				
24	36171-MG9-951	Sensor, R. Pressure boost					1							
24	36171-ML8-751	Sensor, R. Pressure boost								1				
25	36172-MG9-951	Sensor, L. Pressure boost					1							
25	36172-ML8-751	Sensor, L. Pressure boost								1				
26	37640-MB1-701	Check unit, pilot lamp					1			1				
27	38301-MG9-672	Flasher, combination					2			2				
28	38305-MG9-950	Stay, winker relay					1			1				
29	38306-GE8-008	Suspension, winker relay					2			2				
30	38306-ME9-771	Suspension, winker relay								1				
31	38506-MG9-951	Suspension, main relay					1			1				
32	38520-MG9-951	Relay comp., Main					1			1				
33	38601-MB3-671	Relay comp., Position					1			1				
34	50210-MG9-950	Holder a, coupler					1							
34	50210-ML8-750	Holder a, coupler								1				
35	50212-MG9-950	Holder, coupler (c)					1			1				
36	50230-	Holder, relay					1			1				

	MG9-950																	
37	90105-MG9-871	Nut, flange cap, 5mm						(1)										
38	90105-460-000	Bolt, socket, 6x12						2		2								
39	92300-04020-0A	Bolt, slotted, 4x20						2		2								
40	93500-05012-0G	Screw, pan, 5x12						4		4								
41	93892-06012-08	Screw, washer, 6x72						2		2								
42	93892-06028-08	Screw, washer, 6x28						4		4								
43	93901-22320	Screw, tapping, 3x12						(4)										
44	94101-04000	Washer, plain, 4mm						2		3								
45	94101-05700	Washer, plain, 5mm						(1)										
46	94101-06800	Washer, plain, 6mm						2		2								
47	95005-35050-20	Tube, 3.5x50						2		2								
48	95005-35100-20	Tube, 3.5x100						2		2								
49	17163-MG9-950	Hose, fuel, 3.5x260								1								
49	95005-35360-25	Tube, 3.5x360						1										
50	17164-MG9-950	Hose, fuel, 3.5x360								1								
50	95005-35360-26	Tube, 3.5x360						1										
51	95700-06010-07	Bolt, flange, 6x10						1		1								
52	95700-06012-08	Bolt, flange, 6x12						2		2								
53	95700-06016-00	Bolt, flange, 6x16						2		2								
54	95700-08028-08	Bolt, flange, 8x28						1		1								



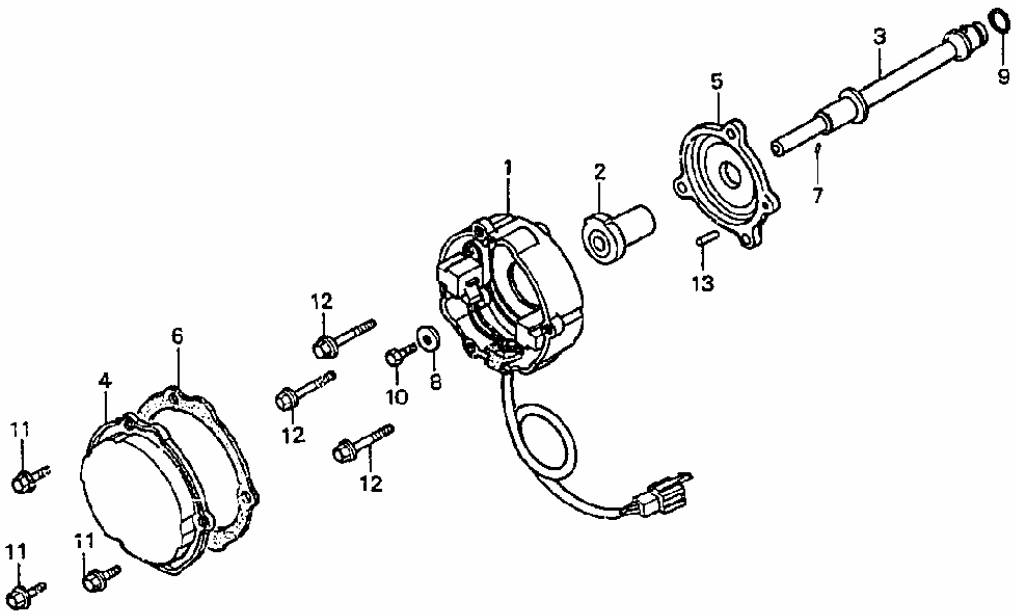
Nr	Partnr	Description	84 Std	84 Int	84 asp	85 Int	85 asp	85 Ltd	86 Int	86 asp	86 SEi	87 Int	87 asp	Serialnr	Areacode
1	19051- KA4- 000	Rubber, radiator mounting			4										
2	19052- MB0- 000	Collar, radiator mounting			4										
3	34908- MB0- 003	Bulb, wedge base (12v/3w)			8										
4	37110- MG9- 831	Meter, sub combination			1										E
4	37110- MG9- 841	Meter, sub combination			1										U
4	37110- MG9- 851	Meter, sub combination			1										ED,F,SW
4	37110- MG9- 881	Meter, sub combination			1										CM
5	37120- MG9- 771	Stay, meter setting			1										
6	37130- MG9- 831	L.c.d. unit			1										E
6	37130- MG9- 851	L.c.d. unit			1										ED,F,SW
6	37130- MG9- 881	L.c.d. unit			1										CM,U
7	37210-	Odometer,			1										E



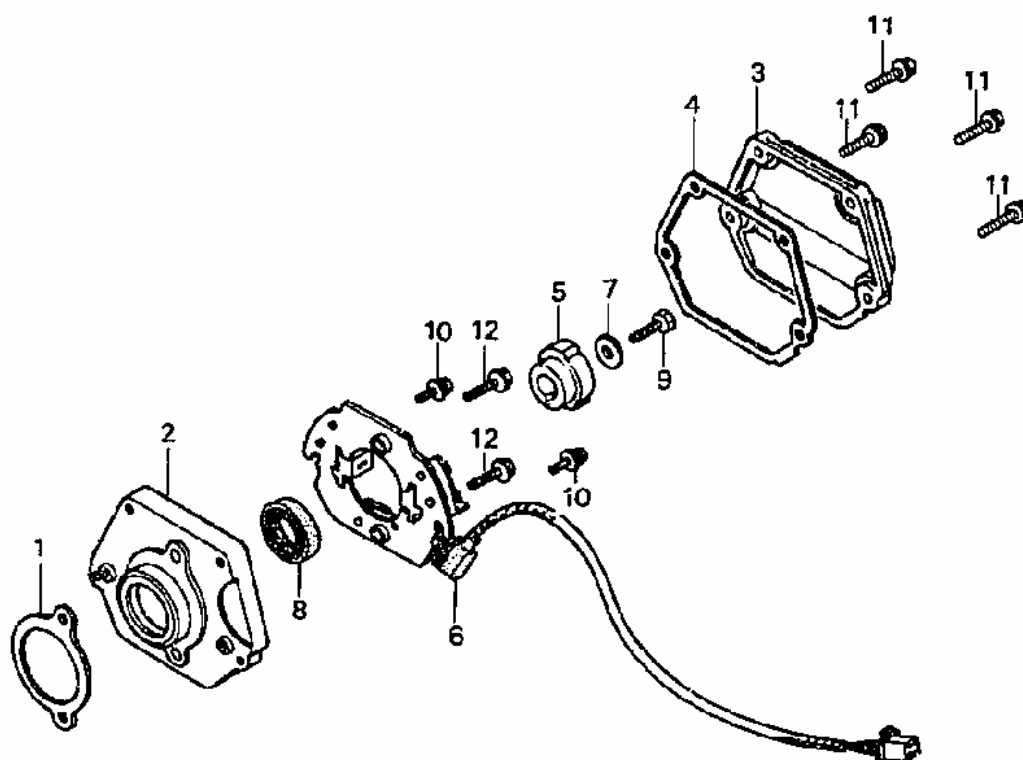
Nr	Partnr	Description	84 Std	84 Int	84 asp	85 Int	85 asp	85 Ltd	86 Int	86 asp	86 SEi	87 Int	87 asp	Serialnr	Areacode
1	19051- KA4-000	Rubber, radiator mounting					4	4		4	4		4		
2	19052- MB0-000	Collar, radiator mounting					4	4		4	4		4		
3	34908- MB0-003	Bulb, wedge base (12v/3w)					13	13		8	13		13		
4	34910- ML8-751	Cap, bulb (T7)									2		2		
5	37105- MG9-741	Packing, meter panel					1	1		1	1		1		
6	37110- MG9-911	Meter, sub combination					1								E
6	37110- MG9-921	Meter, sub combination					1								SW
6	37110- MG9-941	Meter, sub combination					1								CM
6	37110- MG9-971	Meter, sub combination					1								IT
6	37110- MG9-981	Meter, sub combination						1							
6	37110- ML8-691	Meter, sub combination								1					
6	37110- ML8-700	Meter, sub combination											1		
6	37110- ML8-751	Meter, sub combination									1				
7	37120- MG9-961	Stay, meter setting					1	1		1	1		1		
8	37130- MG9-911	L.c.d. unit					1								E
8	37130- MG9-921	L.c.d. unit					1								IT,SW
8	37130- MG9-951	L.c.d. unit					1	1							CM

8	37130-ML8-691	L.c.d. unit						1		1		
8	37130-ML8-751	L.c.d. unit							1			
9	37210-MG9-881	Odometer, total				1	1					CM,IT,SW
9	37210-MG9-871	Odometer, total				1		1	1	1		E
10	37611-MG9-961	Case, meter				1	1	1	1	1		
11	37612-MG9-951	Box, R. Pilot					1		1			
11	37612-MG9-961	Box, R. Pilot				1		1				CM,E,SW
11	37612-MG9-971	Box, R. Pilot				1						IT
11	37612-ML8-700	Box, R. Pilot								1		
12	37613-MG9-961	Box, L. Pilot				1	1	1	1	1		CM,E,SW
12	37613-MG9-971	Box, L. Pilot				1						IT
13	37614-MG9-961	Glass assy., Meyer				1	1	1	1	1		
14	37615-MG9-872	Glass comp., Meter				1	1	1	1	1		
14	37615-MG9-961	Glass comp., Meter				1						CM,E,SW
15	37616-MG9-951	Case comp., Meter					1		1			
15	37616-MG9-961	Case comp., Meter						1				
15	37616-MG9-971	Case comp., Meter				1						IT
15	37616-ML8-700	Case comp., Meter								1		
16	37617-MG9-871	Cover, RR.				1	1	1	1	1		
17	37618-MG9-941	Plate, reflecting				1						IT,SW
17	37618-MG9-951	Plate, reflecting				1	1		1			CM
17	37618-MG9-961	Plate, reflecting				1		1				E
17	37618-ML8-700	Plate, reflecting								1		
18	37619-MG9-951	Socket comp.					1		1			
18	37619-MG9-961	Socket comp.				1		1				
18	37619-ML8-700	Socket comp.								1		
19	37620-	Cord assy.					1		1			

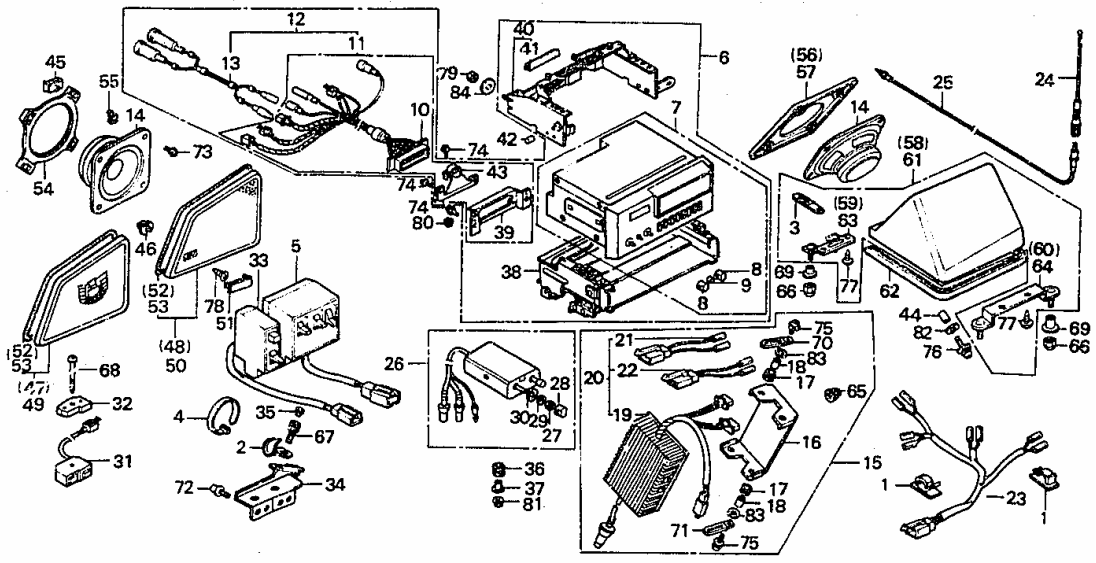
	MG9-951													
19	37620- MG9-961	Cord assy.				1			1			1		
20	37621- MG9-961	Cap, blind							1			1		
21	90121- MG9-871	Screw, tapping, 3x8				4	4		1	1		1		
22	90122- MG9-871	Screw-washer, 5x12				4	4		1	1		1		
23	90301- 634-670	Nut, flange, 6mm							1	1		1		
24	93901- 32220	Screw, tapping, 3x10					7			7				
24	90121- MG9-871	Screw, tapping, 3x8				7			7			7		
25	94001- 06080-0S	Nut, hex., 6mm				4	4		4	4		4		



Nr	Partnr	Description	84 Std	84 Int	84 asp	85 Int	85 asp	85 Ltd	86 Int	86 asp	86 SEi	87 Int	87 asp	Serialnr	Areacode
1	30100-MG9-000	Generator set, pulse	1	1	1										
2	30230-MG9-670	Rotor	1	1	1										
3	30373-463-000	Shaft, pulser	1	1	1										
4	30375-MG9-000	Cover, pulser	1	1	1										
5	30376-463-000	Insulator, pulser	1	1	1										
6	30379-MG9-000	Gasket, pulser cover	1	1	1										
7	30905-216-000	Pin, camshaft, 3x5.2	1	1	1										
8	90486-028-000	Washer, spark advancer setting	1	1	1										
9	91352-422-000	O-ring, 9.8x2.4	1	1	1										
10	92000-06014	Bolt, hex., 6x14	1	1	1										
11	96000-06010-02	Bolt, flange, 6x10	3	3	3										
12	96000-06032-00	Bolt, flange, 6x32	3	3	3										
13	96220-40178	Roller, 4x17.8	1	1	1										



Nr	Partnr	Description	84 Std	84 Int	84 asp	85 Int	85 asp	85 Ltd	86 Int	86 asp	86 SEi	87 Int	87 asp	Serialnr	Areacode
1	12391-MG9-000	Gasket, sealed cover						1			1				
2	30381-MG9-950	Case, injection pulse generator						1			1				
3	30382-MG9-950	Cover, injection pulse generator						1			1				
4	30383-MG9-950	Gasket, pulse generator cover						1			1				
5	36141-MC7-003	Rotor, camshaft timing						1			1				
6	36142-MG9-951	Generator comp., Pulse (CFI)						1			1				
7	90488-MB0-000	Washer, 6x2.3						1			1				
8	91216-PA0-003	Oil seal, 22x35x7						1			1				
9	92000-06018-0A	Bolt, hex., 6x18						1							
9	92101-06025-0A	Bolt, hex., 6x25									1				
10	93893-04012-08	Screw-washer, 4x12						2			2				
11	96000-06020-02	Bolt, flange, 6x20						4			4				
12	96000-06022-02	Bolt, flange, 6x22						2			2				



Nr	Partnr	Description	84 Std	84 Int	84 asp	85 Int	85 asp	85 Ltd	86 Int	86 asp	86 SEi	87 Int	87 asp	Serialnr	Areacode
1	32911-MG9-950	Clamp, cable (a)						5			5				
2	32922-MG9-680	Clamp, cord				(1)	1	1	(1)	1					A,AC,CM,E,ED,IT,SD,SW
3	32925-950-000	Clip, pulser cord						2			2				
4	35701-MG9-950	Band						2	(1)	1	1	(1)	1		
5	35800-MG9-951	Switch assy., Height control						1			1				
6	39100-MG9-930	Radio assy				(1)	1								CM,E,ED,IT,SD,SW
6	39100-MG9-950	Radio assy.						1							
7	08118-MG910	Radio comp.							(1)	1		(1)	1		
7	39110-MG9-871	Radio comp.		(1)	1	(1)	1								CM,E,ED,F,IT,SD,SW,U
7	39110-MG9-951	Radio comp.						1							
7	39110-ML8-751	Radio comp.									1				
7	39110-ML8-771	Radio comp.							(1)	1					

8	39111-MG9-871	Knob, volume	(2)	2	(2)	2	2	(2)	2	2	(2)	2		A,AC,CM,E,ED,F,IT,SD,SW,U
9	39112-MG9-871	Knob, mute	(1)	1	(1)	1	1	(1)	1	1	(1)	1		A,AC,CM,E,ED,F,IT,SD,SW,U
10	39115-MG9-870	Harness, audio			(1)	1	1	(1)	1	1	(1)	1		A,AC,CM,E,ED,IT,SD,SW
11	39120-MG9-871	Harness assy., Audio	(1)	1	(1)	1	1	(1)	1	1	(1)	1		A,AC,CM,E,ED,F,IT,SD,SW,U
12	39125-MG9-950	Harness assy., Audio					1			1				
13	39126-MG9-950	Sub harness, audio					1			1				
14	39130-MG9-871	Speaker unit	(2)	2	(2)	2	4	(2)	2	4				A,AC,CM,E,ED,F,IT,SD,SW,U
14	39130-ML8-701	Speaker unit									(2)	2		
15	39140-MG9-871	Amplifier assy., Power	(1)	1	(1)	1								CM,E,ED,F,IT,SD,SW,U
15	39140-MG9-872	Amplifier assy., Power									(1)	1		
15	39140-MG9-951	Amplifier assy., Power					1			1				
16	39141-MG9-871	Bracket, power amplifier	(1)	1	(1)	1	1	(1)	1	1	(1)	1		A,AC,CM,E,ED,F,IT,SD,SW,U
17	39142-MG9-871	Rubber, mounting	(4)	4	(4)	4	4	(4)	4	4	(4)	4		A,AC,CM,E,ED,F,IT,SD,SW,U
18	39143-MG9-871	Collar, power amplifier	(4)		(4)	4								E,ED,F,SW
18	39143-MG9-871	Collar, power amplifier	(4)	4	(4)	4	4	(4)	4	4	(4)	4		A,AC,CM,IT,SD
19	39144-MG9-871	Amplifier, power	(1)	1	(1)	1	1	(1)	1	1	(1)	1		A,AC,CM,E,ED,F,IT,SD,SW,U
20	39145-MG9-871	Amplifier comp.,power	(1)	1	(1)	1	1	(1)	1	1	(1)	1		A,AC,CM,E,ED,F,IT,SD,SW,U
21	39146-MG9-871	Sub cord, R. Speaker	(1)	1	(1)	1		(1)	1		(1)	1		A,AC,CM,E,ED,F,IT,SD,SW,U
22	39147-	Sub cord, L.	(1)	1	(1)	1		(1)	1		(1)	1		A,AC,CM,E,ED,

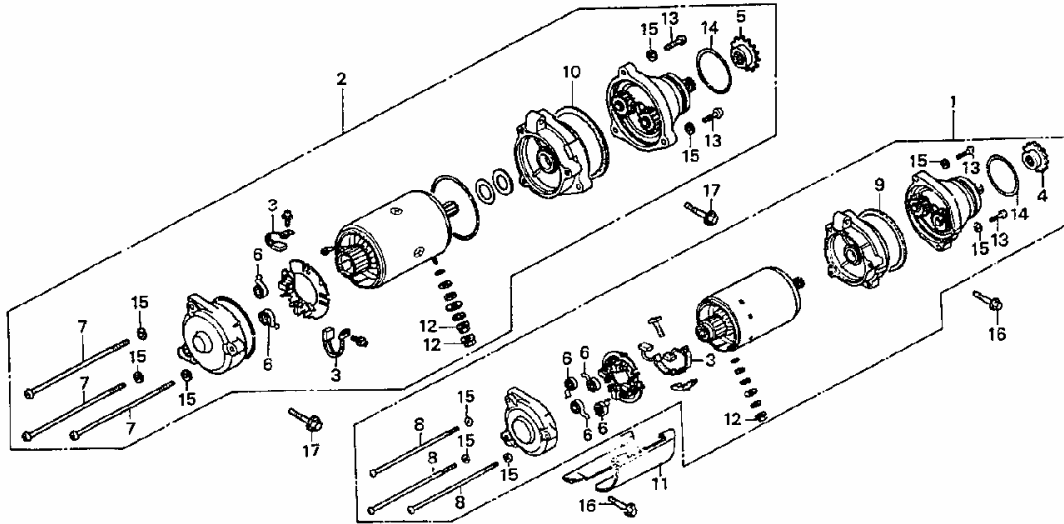
	910																
34	39215-MG9-931	Stay, radio switch			(1)	1											CM,E,ED,IT
34	39215-MG9-950	Stay, radio height					1	(1)	1	1	(1)	1					
35	39230-MG9-930	Cap, socket bolt			(1)	1	1					1					
36	39264-MG9-870	Rubber c, mounting	(1)	1	(1)	1	1	(1)	1	1	(1)	1					A,AC,CM,E,ED,F,IT,SD,SW,U
37	39265-MG9-870	Collar (c)	(1)	1	(1)	1	1	(1)	1	1	(1)	1					A,AC,CM,E,ED,F,IT,SD,SW,U
38	39330-MG9-871	Bracket assy., Radio	(1)	1	(1)	1	1	(1)	1	1	(1)	1					A,AC,CM,E,ED,F,IT,SD,SW,U
39	39331-MG9-871	Holder, connector	(1)	1	(1)	1	1	(1)	1	1	(1)	1					A,AC,CM,E,ED,F,IT,SD,SW,U
40	39340-MG9-870	Bracket comp., Radio	(1)	1													CM,E,ED,F,SW,U
40	39340-MG9-930	Bracket comp., Radio			(1)	1	1	(1)	1	1	(1)	1					A,AC,CM,E,ED,IT,SD,SW
41	39341-MG9-870	Rubber, radio bracket	(1)	1	(1)	1	1	(1)	1	1	(1)	1					A,AC,CM,E,ED,F,IT,SD,SW,U
42	39342-MG9-870	Cap, radio bracket	(1)	1	(1)	1	2	(2)	2	2	(2)	2					A,AC,CM,E,ED,F,IT,SD,SW,U
43	39345-MG9-870	Clamper,radio harness	(1)	1	(1)	1	1	(1)	1	1	(1)	1					A,AC,CM,E,ED,F,IT,SD,SW,U
44	64243-MG9-870	Collar, meter panel					8					8					
45	64255-MG9-930	Nut, speaker setting			(8)	8	8		8	8		8					A,AC,CM,E,ED,IT,SD,SW
46	64258-MG9-931	Grommet, speaker grille			(2)	2	2	(2)	2	2	(2)	2					A,AC,CM,E,ED,IT,SD,SW
46	64266-MG9-770	Grommet, speaker panel	2	2					2			2					
47	64261-MG9-770	Grille, R. Speaker blind	1		1				1			1					
47	64261-MG9-770ZB	Grille, R. Speaker blind *nh136mu*							1			1					

47	64262-MG9-770ZB	Grille, L. Speaker blind *nh136mu*							1			1				
48	64261-MG9-871	Grille, R. Speaker	(1)	1												CM,E,ED,F,SW,U
48	64261-MG9-930	Grille, R. Speaker			(1)	1		(1)	1							A,AC,CM,E,ED,IT,SD,SW
48	64261-MG9-930ZA	Grille, R. Speaker *r58l*/type1										(1)	1			
48	64261-MG9-930ZB	Grille, R. Speaker *nh81l*/type2										(1)	1			
48	64261-MG9-950	Grille, R. Speaker					1				1					
48	64262-MG9-930ZA	Grille, L. Speaker *r58l*/type1										(1)	1			
48	64262-MG9-930ZB	Grille, L. Speaker *nh81l*/type2										(1)	1			
49	64262-MG9-770	Grille, L. Speaker blind	1		1			1				1				
50	64262-MG9-871	Grille, L. Speaker	(1)	1												CM,E,ED,F,SW,U
50	64262-MG9-930	Grille, L. Speaker			(1)	1		(1)	1							A,AC,CM,E,ED,IT,SD,SW
50	64262-MG9-950	Grille, L. Speaker					1									
51	64263-MG9-930	Emblem, speaker grille	(2)	2	(2)	2	2	(2)	2	2	(2)	2				A,AC,CM,E,ED,F,IT,SD,SW,U
52	64264-MG9-770	Rubber, R. Speaker grille	1	1	1	1	1	1	1	1	1	1	1			
53	64265-MG9-770	Rubber, L. Speaker grille	1	1	1	1	1	1	1	1	1	1	1			
54	64310-MG9-870	Spacer, speaker	(2)	2	(2)	2	2	(2)	2	2	(2)	2				A,AC,CM,E,ED,F,IT,SD,SW,U
55	64252-MG9-770	Nut, clip - (s) (8)	(8)	8	(8)											CM,E,ED,F,IT,SD,SW,U
55	64255-MG9-930	Nut, speaker setting				8	8									
56	81157-	Grille, R.					1				1					

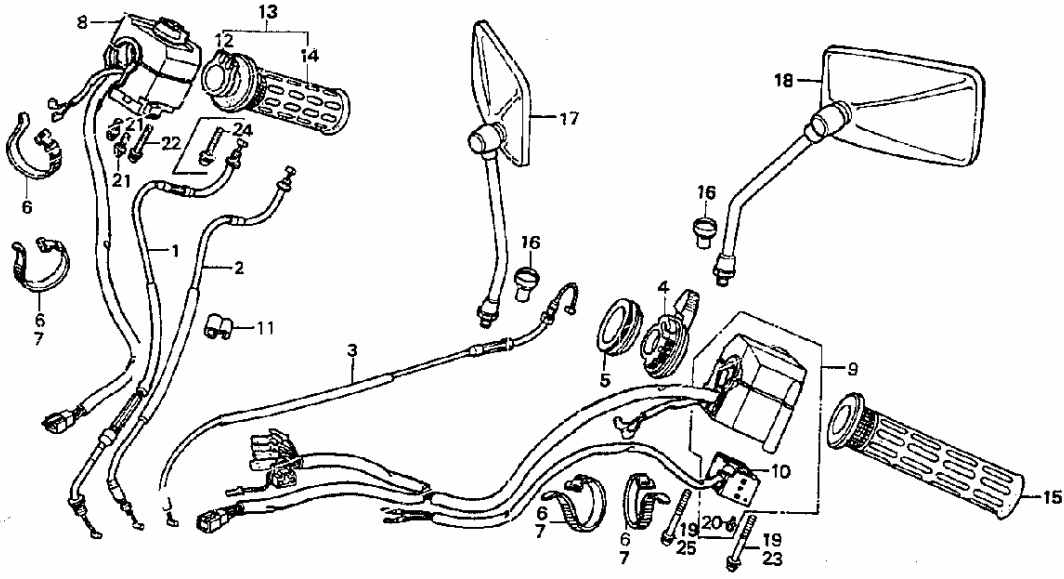
	MG9-950	Speaker box																	
56	81157-MG9-950ZA	Grille, R. Speaker box *r58l*											1						
57	81167-MG9-950	Grille, L. Speaker box						1					1						
57	81167-MG9-950ZA	Grille, L. Speaker box											1						
58	81175-MG9-950	Box, R. RR. Speaker						1					1						
58	81175-MG9-950ZA	Box, R. RR. Speaker *r58l*											1						
59	81177-MG9-950	Bracket a, R. Speaker box setting						1					1						
60	81178-MG9-950	Bracket b, R. Speaker box setting						1					1						
61	81185-MG9-950	Box, L. RR. Speaker						1					1						
61	81185-MG9-950ZA	Box, L. RR. Speaker *r58l*											1						
62	81186-MG9-950	Rubber, speaker box cushion						2					2						
63	81187-MG9-950	Bracket a, L. Speaker box setting						1					1						
64	81188-MG9-950	Bracket b, L. Speaker box setting						1					1						
65	90105-MG9-871	Nut, flange cap, 5mm	(2)	2	(2)	2	2	(3)	3			(3)	3						A,AC,CM,E,ED,F,IT,SD,SW,U
66	90106-MB9-871	Nut, flange cap, 5mm						8					8						
67	90115-MG9-930	Bolt, socket, 10x16				(1)	1	(1)	1	1	(1)	1							A,AC,CM,ED,SD
67	90115-MG9-930	Bolt, socket, 10x16				(1)	1												E,IT,SW
68	90161-MG9-870	Screw, tapping, 3x34	(1)	1															CM,E,ED,F,SW,U
69	90402-GB0-	Washer, number						10	(2)	2	10	(2)	2						

	900	bracket setting															
70	90591-MG9-870	Clip, 2x50	(2)	2	(2)	2	2	(2)	2	2	(2)	2					A,AC,CM,E,ED,F,IT,SD,SW,U
71	90592-MG9-870	Clip, 2x100	(2)	2	(2)	2	2	(2)	2	2	(2)	2					A,AC,CM,E,ED,F,IT,SD,SW,U
72	91267-MG9-931	Screw-washer, 4x10			(1)	1	1	(2)	2	2	(2)	2					A,AC,CM,E,ED,IT,SD,SW
73	93891-04020-00	Screw-washer, 4x20	(8)	8	(8)	8	8										CM,E,ED,F,IT,SD,SW,U
73	93891-04025-00	Screw-washer, 4x25							8	8		8					
74	93892-04006-08	Screw-washer, 4x6	(9)	(9)	(9)	9	9	(9)	9	9	(9)	9					A,AC,CM,E,ED,F,IT,SD,SW,U
74	93892-04010-08	Screw-washer, 4x10						(3)	3	3	(3)	3					
75	93892-05016-08	Screw-washer, 5x16	(4)	4	(4)	4	4	(4)	4	4	(4)	4					A,AC,CM,E,ED,F,IT,SD,SW,U
76	93893-04014-08	Screw-washer, 4x14					8			8							
77	93903-25220	Screw, tapping, 5x12					8			8							
78	93903-34480	Screw, tapping, 4x16	(2)	2	(2)	2	2	(2)	2	2	(2)	2					A,AC,CM,E,F,U
78	93903-34480	Screw, tapping, 4x16	(2)	2	(2)	2											ED,IT,SD,SW
79	94001-04080-0S	Nut, hex., 4mm	(1)	1	(1)	1	1	(1)	1	1	(1)	1					A,AC,CM,E,ED,F,IT,SD,SW,U
80	94001-06000-0S	Nut, hex., 6mm	(2)	2	(2)	2	2	(2)	2	2							A,AC,CM,E,ED,F,IT,SD,SW,U
81	94050-05080	Nut, flange, 5mm	(1)	1	(1)	1	1	(1)	1	1	(1)	1					A,AC,CM,E,ED,F,IT,SD,SW,U
82	94101-05000	Washer, plain, 5mm					8			8							
83	94103-05800	Washer, plain, 5mm	(4)	4	(4)	4	4	(4)	4	4	(4)	4					A,AC,CM,E,ED,F,IT,SD,SW,U
84	94103-06000	Washer, plain, 6mm	(2)	2	(2)	2	2	(2)	2	2							A,AC,CM,E,ED,F,IT,SD,SW,U
	39211-ML8-771	Panel, radio select switch						(1)	1	1	(1)	1					
	39220-ML8-771	Cover, radio switch stay						(1)	1		(1)	1					

94050-06080	Nut, flange, 6mm								2	2		2		
94101-05700	Washer, flat, 5mm						(1)	1	1	(1)	1			



Nr	Partnr	Description	84 Std	84 Int	84 asp	85 Int	85 asp	85 Ltd	86 Int	86 asp	86 SEi	87 Int	87 asp	Serialnr	Areacode
1	31200-MG9-004	Motor assy., Starter	1	1	1										
2	31200-MG9-406	Motor assy., Starter				1	1	1	1	1	1	1	1		
3	31201-MG9-004	Brush, carbon	1	1	1	2	2	2	1	1	1	1	1		
4	31202-MG9-004	Sprocket	1	1	1										
5	31202-MG9-681	Sprocket				1	1	1	1	1	1	1	1		
6	31204-292-158	Spring, carbon brush	4	4	4	2	2	2	2	2	2	2	2		
7	31205-MB0-000	Screw, pan, 5x115				3	3	3	3	3	3	3	3		
8	31205-371-005	Bolt, setting	3	3	3										
9	31208-MG9-004	Ring	1	1	1										
10	31208-MG9-681	Ring				1	1	1	1	1	1	1	1		
11	31210-MG9-000	Plate, motor heat	1	1	1										
12	90071-MB0-000	Nut-washer, 6mm	1	1	1	2	2	2	2	2	2	2	2		
13	91001-MG9-004	Bolt, 5x20	2	2	2	3	3	3	3	3	3	3	3		
14	91309-MA6-000	O-ring	1	1	1	1	1	1	1	1	1	1	1		
15	94111-05000	Washer, spring, 5mm	5	5	5	6	6	6	6	6	6	6	6		
16	96000-06028-02	Bolt, flange, 6x28	2	2	2										
17	96000-06032-02	Bolt, flange, 6x32				2	2	2	2	2	2	2	2		

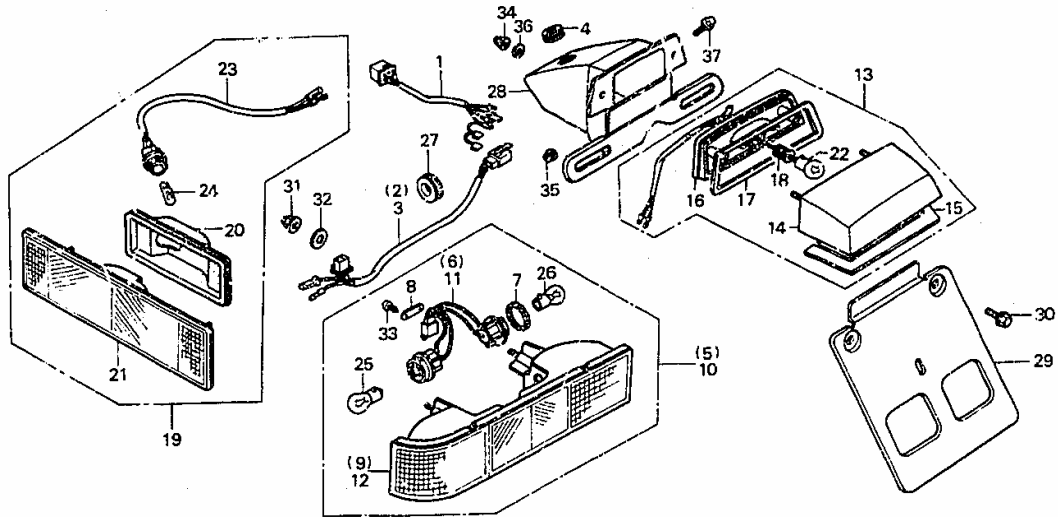


Nr	Partnr	Description	84	84	84	85	85	85	86	86	86	87	87	Serialnr	Areacode
			Std	Int	asp	Int	asp	Ltd	Int	asp	SEi	Int	asp		
1	17910-MG9-000	Cable comp. A, throttle	1												
1	17910-MG9-770	Cable comp. A, throttle		1	1	1	1		1	1					
1	17910-MG9-771	Cable comp. A, throttle										1			
1	17910-MG9-950	Cable comp., Handle throttle						1		1		1			
2	17920-MG9-000	Cable comp. B, throttle	1												
2	17920-MG9-770	Cable comp. B, throttle		1	1	1	1		1	1					
2	17920-MG9-950	Cable comp. B, throttle						1		1					
2	17920-MG9-950	Cable comp. B, throttle											1	To HA307779	A
2	17920-MG9-950	Cable comp. B, throttle											1	To HA309609	AC
2	17920-ML8-700	Cable comp. B, throttle											1	From HA307780	A
2	17920-ML8-700	Cable comp. B, throttle											1	From HA309610	AC

2	17920-MG9-771	Cable comp. B, throttle											1		
3	17950-MG9-000	Cable comp., Choke	1	1	1	1	1			1	1		1	1	
4	17962-MG9-000	Lever, choke	1	1	1										
4	17962-MG9-680	Lever, choke				1	1			1	1		1	1	
5	17962-MG9-950	Blind, clutch master cylinder						1				1			
6	32161-404-000	Band b1, wire	4	4	4										
6	32161-404-610	Band b1, wire				1									CM,ED,G,SD
6	32161-404-610	Band b1, wire				1	1								E,IT,SW
7	32161-438-000	Band, wire				3	3	3	3	3			4	4	
8	35130-MG9-670	Switch assy., Starter kill	1												
8	35130-MG9-681	Switch assy., Starter kill				1	1			1	1		1		CM
8	35130-ML8-701	Switch assy., Starter kill & cruise											1		
8	35130-MG9-770	Switch assy., Starter kill		1	1										CM
8	35130-MG9-951	Switch assy., Starter kill & cruise						1				1			
8	35150-MG9-700	Switch assy., Starter kill		1	1										E,ED,F,G,SW,U
8	35150-MG9-710	Switch assy., Starter kill				1	1								E,ED,G,IT,SD,SW
9	35200-MG9-671	Switch assy., Winker	1												
9	35200-	Switch				1	1								CM

	000																
15	53167-MG9-305	Grip, L. Handle				1	1	1	1	1	1						
15	53167-MG9-315	Grip, L. Handle							1	1	1	1	1				
16	53174-116-670	Plug, handle lever bracket							2						From GA211101		A
16	53174-116-670	Plug, handle lever bracket							2						From GA210696		AC
16	53174-116-670	Plug, handle lever bracket											2	1			
16	53174-116-670	Plug, handle lever bracket								1					From GA210731		A
16	53174-116-670	Plug, handle lever bracket								1					From GA212272		AC
16	53174-116-670	Plug, handle lever bracket									1				From GA210776		A
16	53174-116-670	Plug, handle lever bracket									1				From GA212401		AC
16	53174-463-770	Plug, handle lever bracket		2	2	2	2	2									CM
16	53174-463-770	Plug, handle lever bracket							2						To GA211100		A
16	53174-463-770	Plug, handle lever bracket							2						To GA210695		AC
16	53174-463-770	Plug, handle lever bracket								1					To GA210730		A
16	53174-463-770	Plug, handle lever bracket								1					To GA212271		AC
16	53174-	Plug,									1				To		A

25	93892-05045-07	Screw-washer, 5x45				1	1	1	1	1	1	1	1		
	35152-MG9-681	Plate, starter kill switch setting							1	1	1	1	1		
	35204-MG9-681	Plate, winker switch setting							1	1	1	1	1		
	93901-32120	Screw, tapping 3x8							2	2	2	2	2		



Nr	Partnr	Description	84	84	84	85	85	85	86	86	86	87	87	Serialnr	Areacode
			Std	Int	asp	Int	asp	Ltd	Int	asp	SEi	Int	asp		
1	32101-MG9-710	Harness, taillight sub wire				1									G
2	32107-MG9-711	Sub cord, R. RR. Combination				1									G
2	32107-MG9-770	Harness, R. RR. Combination light sub wire		1	1	1	1								CM,E,ED,F,IT,SD,SW,U
2	32107-MG9-770	Harness, R. RR. Combination light sub wire		1											G
2	32107-MG9-950	Harness, R. RR. Combination sub wire							1						
2	32107-ML8-600	Harness, R. RR. Combination sub wire										1	1		
2	32107-ML8-670	Harness, R. RR. Combination sub wire							1	1					
2	32107-ML8-750	Harness, R. RR. Combination sub wire									1				
3	32109-MG9-711	Sub cord, L. RR. Combination				1									G
3	32109-MG9-770	Harness, L. RR. Combination light sub wire		1	1	1	1								CM,E,ED,F,IT,SD,SW,U
3	32109-MG9-770	Harness, L. RR. Combination light sub wire		1											G
3	32109-MG9-950	Harness, L. RR. Combination sub wire						1							

3	32109-ML8-600	Harness, L. RR. Combination sub wire										1	1		
3	32109-ML8-670	Harness, L. RR. Combination sub wire							1	1					
3	32109-ML8-750	Harness, L. RR. Combination sub wire									1				
4	32983-011-000	Grommet, wire harness		1	1	1	1	1	1	1	1	1	1		
5	33500-MG9-701	Light assy., R. RR. Combination		1	1	1	1							E,ED,F,G,IT, SD,SW	
5	33500-MG9-771	Light assy., R. RR. Combination		1	1	1	1	1	1	1	1	1	1	A,AC,CM,U	
6	33503-MG9-701	Cord comp., R.		1	1	1	1							E,ED,F,G,IT, SD,SW	
6	33503-MG9-771	Cord comp., R.		1	1	1	1	1	1	1	1	1	1	A,AC,CM,U	
7	33504-MG9-701	Grommet		2	2	2	2							E,ED,F,G,IT, SD,SW	
8	33507-SB0-671	Stay		2	2	2	2	2	2	2	2	2	2		
9	33510-MG9-701	Lens comp., R. (b)		1	1	1	1							E,ED,F,G,IT, SD,SW	
9	33510-MG9-771	Lens comp., R. (b)		1	1	1	1	1	1	1	1	1	1	A,AC,CM,U	
10	33550-MG9-701	Light assy., L. RR. Combination		1	1	1	1							E,ED,F,G,IT, SD,SW	
10	33550-MG9-771	Light assy., L. RR. Combination		1	1	1	1	1	1	1	1	1	1	A,AC,CM,U	
11	33553-MG9-701	Cord comp., L.		1	1	1	1							E,ED,F,G,IT, SD,SW	
11	33553-MG9-771	Cord comp., L.		1	1	1	1	1	1	1	1	1	1	A,AC,CM,U	
12	33560-MG9-701	Lens comp., L. (b)		1	1	1	1							E,ED,F,G,IT, SD,SW	
12	33560-MG9-771	Lens comp., L. (b)		1	1	1	1	1	1	1	1	1	1	A,AC,CM,U	
13	33720-	Light assy., License		1	1	1	1							E,ED,F,IT,SD,	

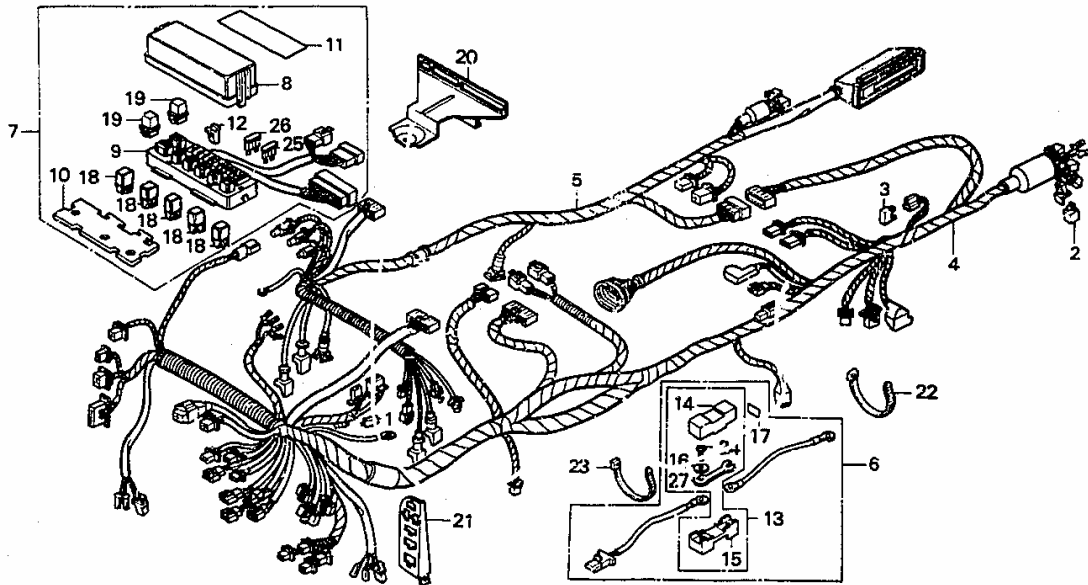
	MG9-701																	SW
13	33720-MG9-771	Light assy., License		1	1	1	1	1	1	1	1	1	1	1				A,AC,CM,U
14	33721-MG9-771	Cover comp.		1	1	1	1	1	1	1	1	1	1					
15	33722-MG9-701	Lens, license		1	1	1	1											E,ED,F,IT,SD,SW
15	33722-MG9-771	Lens, license		1	1	1	1	1										CM,U
15	33722-MG9-771	Lens, license								1							To GA211595	A
15	33722-MG9-771	Lens, license								1							To GA217800	AC
15	33722-MG9-771	Lens, license									1						To GA211630	A
15	33722-MG9-771	Lens, license									1						To GA212270	AC
15	33722-MG9-771	Lens, license										1					To GA211655	A
15	33722-MG9-771	Lens, license										1					To GA212400	AC
15	33722-MG9-772	Lens, license								1	1	1	1	1				
16	33723-MG9-771	Base comp.		1	1	1	1	1										CM,E,ED,F,IT,SD,SW,U
16	33723-MG9-771	Base comp.								1							To GA211595	A
16	33723-MG9-771	Base comp.								1							To GA217800	AC
16	33723-MG9-771	Base comp.									1						To GA211630	A
16	33723-MG9-771	Base comp.									1						To GA212270	AC
16	33723-MG9-771	Base comp.										1					To GA211655	A
16	33723-MG9-	Base comp.										1					To GA212400	AC

	771																
16	33723-MG9-772	Base comp.							1	1	1	1	1				
17	33724-MG9-771	Gasket, lens	1	1	1	1	1	1	1	1	1	1	1				CM,E,ED,F,IT,SD,SW,U
18	33725-MG9-771	Cord comp.	1	1	1	1	1	1	1	1	1	1	1				CM,E,ED,F,IT,SD,SW,U
19	33742-MG9-701	Dummy, reflex reflector	2	2	2	2											E,ED,F,G,IT,SD,SW
19	33742-MG9-771	Reflector; RR. Reflex	2	2	2	2			2	2			2	2			A,AC,CM,U
19	33742-MG9-951	Reflector, side marker & RR. Reflex						2									
19	33900-ML8-751	Lamp, R. RR. Reflex reflector & Side marker										1					
19	33950-ML8-751	Lamp, L. RR. Reflex reflector & Side marker										1					
20	33743-MG9-951	Seal packing, reflex reflector						2									
20	33743-ML8-751	Packing, RR. Side marker seal										2					
21	33744-MG9-951	Lens comp., Reflex reflector						2				2					
22	34616-568-671	Bulb, license light (12v 8w)	1	1	1	1	1	1	1	1	1	1	1	1			A,AC,CM,U
22	34904-634-611	Bulb (12v5w) (ece)	1	1	1	1											E,ED,F,IT,SD,SW
23	33905-ML8-751	Socket compl., R. RR. Side marker										1					
23	33955-ML8-751	Socket compl., L. RR. Side marker										1					
23	34705-MG9-951	Socket comp., Reflex reflector						2									
24	34901-SB0-671	Bulb (12v 3cp)						2				2					
25	34905-268-671	Bulb, winker (12v23w)	2	2	2	2	2	2	2	2	2	2	2	2			A,AC,CM,U

25	34908-634-611	Bulb (12v21w)(stanley)(ece)	2	2	2	2									E,ED,F,G,IT,SD,SW
26	34906-MG9-771	Bulb, stop & taillight (12v 27/7w)	2	2	2	2	2	2	2	2	2	2			A,AC,CM,U
27	80102-425-770	Grommet, taillight cord	2	2	2	2	2								
28	84700-MG9-700	Bracket, number plate	1	1	1	1									E,ED,F,IT,SD,SW
28	84700-MG9-700	Bracket, number plate	1												G
28	84700-MG9-770	Bracket, number plate	1	1	1	1	1	1	1	1	1				A,AC,CM,U
28	84700-ML8-600	Bracket, number plate										1	1		
29	84707-MG9-700	Plate, number	1	1	1	1									E,ED,F,IT,SD,SW
29	84707-MG9-700	Plate, number	1												G
30	90113-125-770	Bolt b, air cleaner setting	2	2	2	2									E,ED,F,IT,SD,SW
30	90113-125-770	Bolt b, air cleaner setting	2												G
31	90201-428-900	Nut, cap, 6mm	4	4	4	4	4	4	4	4	4	4	4		
32	90525-428-900	Washer, plain, 6mm	4	4	4	4	4	4	4	4	4	4	4		
	90659-680-013	Clip, wire harness										1	1		
33	93901-34320	Screw, tapping, 4x12	2	2	2	2	2	5	5	5	5	5			
34	94021-04020-0S	Nut, cap, 4mm	2	2	2	2	2	2	2	2	2	2	2		A,AC,CM,E,ED,F,IT,SD,SW,U
35	94050-06000	Nut, flange, 6mm	2	2	2	2	2	2	2	2	2	2	2		A,AC,CM,E,ED,F,IT,SD,SW,U
36	94111-04000	Washer, spring, 4mm	2	2	2	2	2	2	2	2	2	2	2		A,AC,CM,E,ED,F,IT,SD,SW,U
37	95700-06010-00	Bolt, flange, 6x10	2	2	2	2	2	2	2	2	2	2	2		A,AC,CM,E,ED,F,IT,SD,SW,U

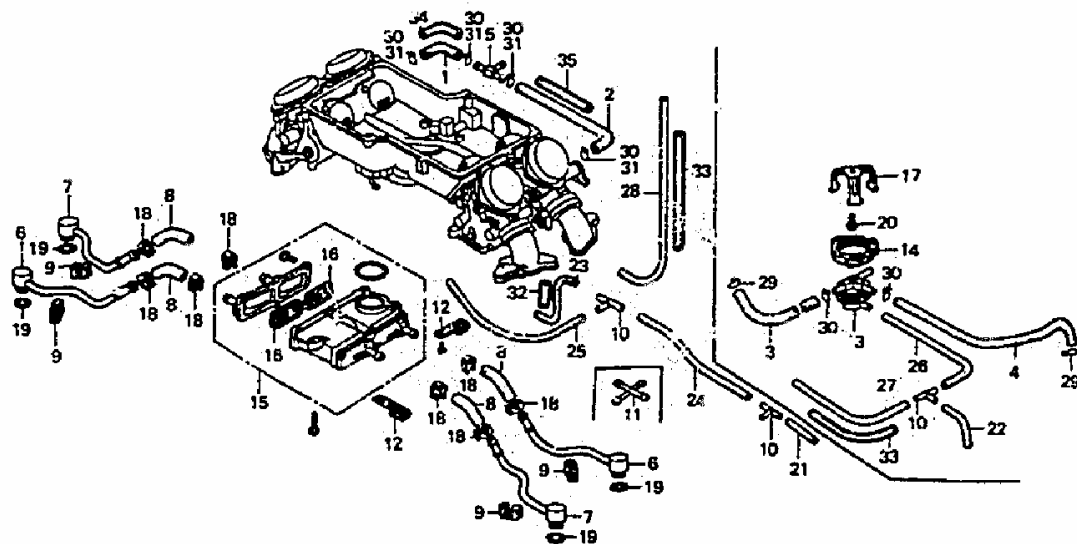
3	32100-MG9-830	Harness, wire			1													E,ED,F,SW
3	32100-MG9-850	Harness, wire					1											E,IT,SW
3	32100-MG9-870	Harness, wire			1													CM,U
3	32100-MG9-930	Harness, wire					1											CM
3	32100-ML8-601	Harness, wire											1					
3	32100-ML8-670	Harness, wire							1									
3	32100-ML8-701	Harness, wire													1			
3	32100-ML8-770	Harness, wire								1								
4	32125-463-770	Case, fuse (5a)	1	1	1													
5	38000-ML8-671	Box assy., Fuse							1				1					
5	38000-ML8-771	Box assy., Fuse								1					1			
5	38000-MG9-671	Box assy., Fuse	1	1	1													CM,E,ED,G,SW,U
5	38000-MG9-681	Box assy., Fuse					1											
5	38000-MG9-781	Box assy., Fuse		1	1													F
5	38000-MG9-931	Box assy., Fuse						1										
5a	38100-ML8-701	Box assy., Relay & Fuse													1			
6a	38101-ML8-701	Cover, relay & fuse box													1			
7a	38102-ML8-701	Base comp., Relay & Fuse box													1			
8a	38104-ML8-	Label, relay & fuse box													1			

	701																
6	38210-MG9-005	Cover, fuse	1	1	1												
6	38210-MG9-681	Cover, fuse				1	1										
6	38210-ML8-671	Cover assy., fuse						1	1		1						
7	38215-MG9-671	Label, fuse	1	1	1												CM,E,ED,G,SW,U
7	38215-MG9-781	Label, fuse (french)	1	1	1												CM,F
7	38215-MG9-681	Label, fuse				1											
7	38215-MG9-931	Label, fuse					1										
7	38215-ML8-671	Label, fuse						1			1						
7	38215-ML8-771	Label, fuse							1								
8	38220-MG9-000	Holder, fuse box	1	1	1												
8	38220-MG9-010	Holder, fuse box				1	1		1	1		1					
9	38230-SA5-003	Fuse b (10a) (furukawa)	2	2	2	8	8										CM,ED,F,G,U
9	38230-SA5-003	Fuse b (10a) (furukawa)		2	2												E,SW
10	38231-SA5-003	Fuse b (15a) (furukawa)	2	2	2												
10	98200-31500	Fuse, blade (15a)				2	2		2	2		2	3				
11	38235-SA5-004	Puller, fuse (daiichi)	1	1	1	1	1		1	1		1	1				
12	90650-MA6-720	Band, wire harness	2	2	2	2	2		4	5		5	4				
13	90651-MA6-720	Band, wire harness	3	3	3	3	3		3	3		3	3				
13a	38351-	Relay, comp.,											4				



Nr	Partnr	Description	84 Std	84 Int	84 asp	85 Int	85 asp	85 Ltd	86 Int	86 asp	86 SEi	87 Int	87 asp	Serialnr	Areacode
1	30511-MG9-680	Condenser comp.				(1)	1		1	1					
2	31700-124-003	Rectifier assy., Silicon (stanley)	1	1	1	1	1		1	1		1	1		
2	31700-124-008	Rectifier assy., Silicon (shindengen)	1	1	1	1	1								
3	32100-MG9-640	Harness, wire	1												
3	32100-MG9-680	Harness, wire				1									
3	32100-MG9-690	Harness, wire				1									E,ED,IT,SD,SW
3	32100-MG9-700	Harness, wire		1											E,ED,F,SW
3	32100-MG9-710	Harness, wire		1											G
3	32100-MG9-720	Harness, wire				1									G
3	32100-MG9-770	Harness, wire		1											
3	32100-MG9-830	Harness, wire			1										E,ED,F,SW
3	32100-	Harness, wire					1								E,IT,SW

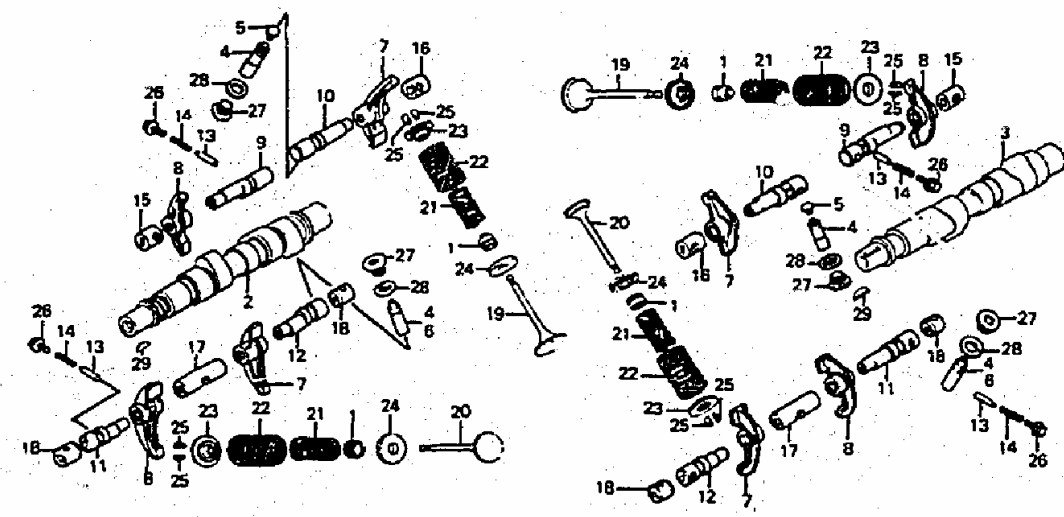
6	38210-MG9-681	Cover, fuse				1	1										
6	38210-ML8-671	Cover assy., fuse							1	1		1					
7	38215-MG9-671	Label, fuse	1	1	1												CM,E,ED,G,SW,U
7	38215-MG9-781	Label, fuse (french)	1	1	1												CM,F
7	38215-MG9-681	Label, fuse				1											
7	38215-MG9-931	Label, fuse					1										
7	38215-ML8-671	Label, fuse							1			1					
7	38215-ML8-771	Label, fuse								1							
8	38220-MG9-000	Holder, fuse box	1	1	1												
8	38220-MG9-010	Holder, fuse box				1	1		1	1		1					
9	38230-SA5-003	Fuse b (10a) (furukawa)	2	2	2	8	8										CM,ED,F,G,U
9	38230-SA5-003	Fuse b (10a) (furukawa)		2	2												E,SW
10	38231-SA5-003	Fuse b (15a) (furukawa)	2	2	2												
10	98200-31500	Fuse, blade (15a)				2	2		2	2		2	3				
11	38235-SA5-004	Puller, fuse (daiichi)	1	1	1	1	1		1	1		1	1				
12	90650-MA6-720	Band, wire harness	2	2	2	2	2		4	5		5	4				
13	90651-MA6-720	Band, wire harness	3	3	3	3	3		3	3		3	3				
13a	38351-KJ9-003	Relay, comp., light											4				
14a	38370-ML8-	Relay, comp., lighting											1				



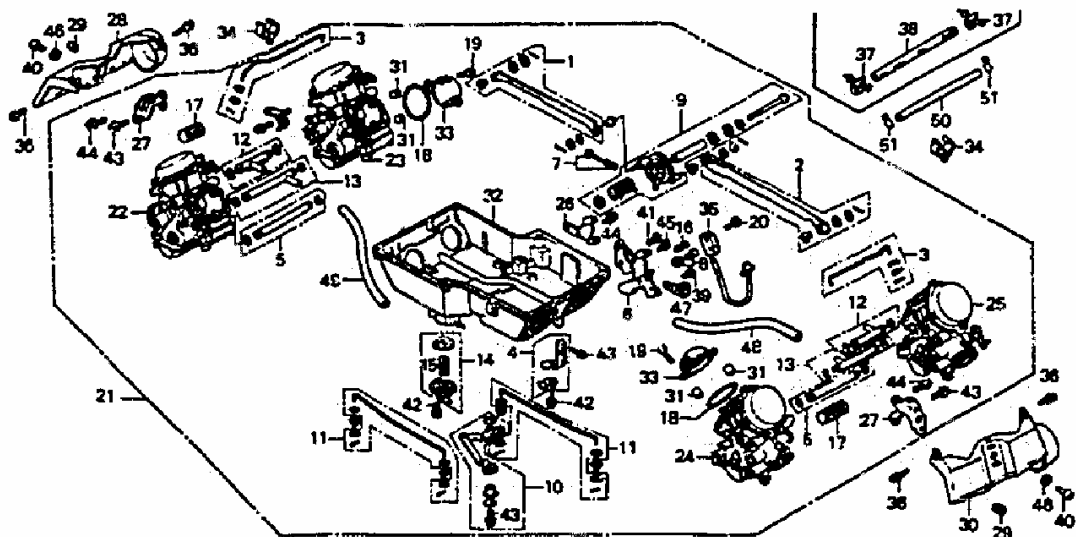
Nr	Partnr	Description	84 Std	84 Int	84 asp	85 Int	85 asp	85 Ltd	86 Int	86 asp	86 SEi	87 Int	87 asp	Serialnr	Areacode
0	16179-ME5-761	Binder	1	1	1	1	1								AC
1	16191-MG9-000	Tube, R. Fuel	1	1	1	1	1		1	1					
1	16191-ML8-600	Tube, R. Fuel										1	1		
2	16192-MG9-000	Tube, L. Fuel	1	1	1	1	1		1	1					
2	16192-ML8-600	Tube, L. Fuel										1	1		
3	16211-MG9-740	Tube, fuel, 4.5x270	1	1	1	1	1		1	1					AC
3	16211-ML8-850	Tube, fuel, 4.5x270										1	1		AC
4	16212-MG9-740	Tube, fuel, 4.5x300	1	1	1	1	1		1	1					AC
4	16212-ML8-850	Tube, fuel, 4.5x300										1	1		AC
5	16958-MG9-000	Joint, fuel tube	1	1	1	1	1		1	1					
5	16958-ML8-600	Joint, fuel tube										1	1		
6	17130-MG9-000	Pipe, compl. A, air feed	2	2	2	2	2								A,AC
6	17130-ML8-000	Pipe, compl. A, air feed							2	2		2	2		
7	17140-MG9-000	Pipe, compl. B, air feed	2	2	2	2	2								A,AC
7	17140-ML8-000	Pipe, compl. B, air feed							2	2		2	2		
8	17150-MG9-000	Hose, air feed	4	4	4	4	4		4	4		4	4		
9	17151-MG9-000	Rubber, air pipe mounting	4	4	4	4	4		4	4		4	4		
10	17201-	Joint, vacuum tube				2			1	1					

	MG9-000	(A)															
10	17201-MG9-000	Joint, vacuum tube (A)	1	1	1		1					1	2				A
10	17201-MG9-000	Joint, vacuum tube (A)	2	2	2		2						1				AC
11	17204-MG9-950	Joint, vacuum tube										1	1				AC
12	17215-MG9-000	Clamp a, tube	2	2	2	1	2		2	2		2	2				A,AC
12	17215-MG9-000	Clamp a, tube	1	1	1		1		1	1		2	2				AC
12	93500-05010-1H	Screw, pan, 5x10	1	1	1	1	1										
13	17440-MG9-640	Valve, purge control	1	1	1		1		1	1							AC
13	17440-ML8-850	Valve, purge control										1	1				AC
14	17451-MG9-640	Rubber, purge control valve mounting	1	1	1	1	1		1	1		1	1				AC
15	18600-MG9-004	Valve assy., air suction	1	1	1	1	1		1	1		1	1				A,AC
16	18601-MG9-005	Valve compl., reed	4	4	4	4	4		4	4		4	4				A,AC
17	18716-MG9-640	Stay, purge control valve	1	1	1	1	1		1	1		1	1				AC
18	53729-671-003	Clamp D, 15.5mm	8	8	8	8	8		8	8		8	8				A,AC
19	91305-422-000	O-ring, 9.8x2.4	4	4	4	4	4		4	4		4	4				A,AC
20	93892-04008	Screw washer, 4x8	1	1	1	1	1		1	1		1	1				AC
21	95001-35030-40	Tube, fuel 3.5x30	1	1	1	1	1		1	1		1	1				A,AC
22	95001-35060-40	Tube, fuel 3.5x60	1	1	1	1	1		1	1		1	1				A,AC
23	95001-35090-40	Tube, fuel 3.5x90	1	1	1	1	1		1	1		1	1				A,AC
24	95001-35130-40	Tube, fuel 3.5x130	1	1	1	1	1		1	1		1	1				A,AC
24	95001-35170-40	Tube, fuel 3.5x170	1	1	1	1	1		1	1		1	1				A,AC
25	95001-35190-40	Tube, fuel 3.5x190	1	1	1	1	1		1	1		1	1				A,AC
25	95001-35340-40	Tube, fuel 3.5x340	1	1	1	1	1										
26	95001-35210-40	Tube, fuel 3.5x210	1	1	1	1	1		1	1		1	1				A,AC
27	95001-35450-40	Tube, fuel 3.5x450	1	1	1	1	1		1	1		1					A,AC
27	95001-35530-40	Tube, fuel 3.5x530											1				A,AC
28	95001-	Tube, fuel 3.5x470	1	1	1	1	1		1	1		1					A,AC

	35470-40															
28	95001-35570-40	Tube, fuel 3.5x570											1			A
29	95002-02080	Clip, tube (b8)	2	2	2	2	2			2	2		2	2		AC
29	95002-02650	Clip, tube (b6.5)	4	4	4											
30	95002-02100	Clip, tube (b10)	4	4	4	4	4			4	4					A
30	95002-02100	Clip, tube (b10)	6	6	6	6	6			6	6		2	2		AC
31	95002-02100	Clip, tube (b10)	4	4	4	4	4									
31	95002-02120	Clip, tube (b12)											4	4		A,AC
32	95003-21005-20	Tube, vinyl, 8x9x50	1	1	1	1	1			1	1		1	1		AC
33	95003-21020-20	Tube, vinyl, 8x9x200	1	1	1	1	1			1	1		1	1		
34	95003-36004-20	Tube, vinyl, 11x13x40	1	1	1	1	1			1	1		1	1		AC
35	95003-36014-20	Tube, vinyl	1	1	1	1	1			1	1		1	1		



Nr	Partnr	Description	84 Std	84 Int	84 asp	85 Int	85 asp	85 Ltd	86 Int	86 asp	86 SEi	87 Int	87 asp	Serialnr	Areacode
1	12209-MB9-003	Seal, valve stem (NOK)	8	8	8	8	8	8	8	8	8	8	8		
2	14111-MG9-000	Camshaft, R	1	1	1	1	1								
2	14111-MG9-950	Camshaft, R complete						1							
2	14111-MG9-951	Camshaft, R complete						1							
2	14111-ML8-000	Camshaft, R							1	1		1	1		
2	14111-ML8-750	Camshaft, R									1				
3	14211-MG9-000	Camshaft, L	1	1	1	1	1	1							
3	14211-ML8-000	Camshaft, L							1	1	1	1	1		
4	14450-MG9-004	Adjuster, hydraulic lash	8	8	8	8	8	8							
4	14450-ML8-000	Adjuster, hydraulic lash							8	8	8			To 2616012	
4	14450-ML8-010	Adjuster, in. hydraulic lash							8	8	8			To 2616012	
4	14450-ML8-010	Adjuster, in. hydraulic lash							4	4	4			From 2616013	

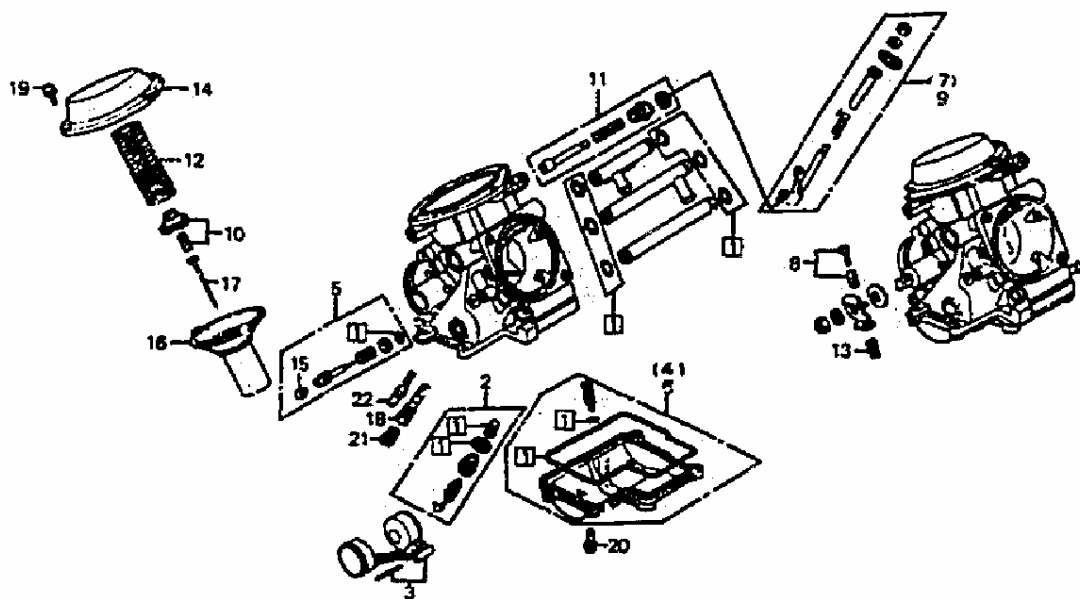


Nr	Partnr	Description	84 Std	84 Int	84 asp	85 Int	85 asp	85 Ltd	86 Int	86 asp	86 SEi	87 Int	87 asp	Serialnr	Areacode
1	16017-MG9-004	Link set (a)	1	1	1	1	1		1	1		1	1		
2	16018-MG9-004	Link set (b)	1	1	1	1	1		1	1		1	1		
3	16019-MG9-004	Rod set, starter link	2	2	2	2	2		2	2		2	2		
4	16024-MG9-004	Plate set, stay	1	1	1	1	1		1	1		1	1		
5	16026-MG9-004	Joint set a, fuel	2	2	2	2	2								
5	16026-ML8-741	Joint set a, fuel							2	2		2	2		
6	16027-MG9-741	Plate set, stay											1		
7	16028-MG9-004	Screw set b	1	1	1	1	1		1	1		1	1		
8	16029-ML8-681	Screw set d											1		
9	16030-MG9-004	Throttle set	1	1	1	1	1		1	1		1	1		
10	16031-MG9-004	Lever set a, starter	1	1	1	1	1		1	1		1	1		
11	16032-MG9-	Rod set a, starter link	2	2	2	2	2		2	2		2	2		

	MG9-741	assy., R. FR.															
22	16101-MG9-741	Carburetor assy., R. FR.					1										
22	16101-ML8-601	Carburetor assy., R. FR.										1					A
22	16101-ML8-671	Carburetor assy., R. FR.							1	1							A
22	16101-ML8-681	Carburetor assy., R. FR.											1				A
22	16101-ML8-741	Carburetor assy., R. FR.							1	1							AC
22	16101-ML8-791	Carburetor assy., R. FR.												1			AC
22	16101-ML8-851	Carburetor assy., R. FR.											1				AC
23	16102-MG9-004	Carburetor assy., R. RR.	1	1	1												A
23	16102-MG9-601	Carburetor assy., R. RR.	1	1	1												ToVD63A(A)
23	16102-MG9-602	Carburetor assy., R. RR.	1	1	1												FromVD63A(B)
23	16102-MG9-602	Carburetor assy., R. RR.					1	1									SW
23	16102-MG9-641	Carburetor assy., R. RR.	1	1	1												AC
23	16102-MG9-682	Carburetor assy., R. RR.						1									A
23	16102-MG9-692	Carburetor assy., R. RR.					1	1									CM,E,ED,G,IT,SD
23	16102-MG9-741	Carburetor assy., R. RR.					1	1									AC
	16102-ML8-601	Carburetor assy., R. RR.											1				A
23	16102-ML8-671	Carburetor assy., R. RR.							1	1							A
23	16102-ML8-	Carburetor assy., R.												1			A

	MG9-000	Carburetor															
30	16150-MG9-770	Cover, l. Carburetor		1	1	1	1			1	1			1	1		
(26)	16151-MG9-000	Stay, carburetor cover (a)	1	1	1												To2416829
(27)	16152-MG9-000	Stay, carburetor cover (b)	1	1	1												To2416829
31	16178-MB0-671	Pin, knock	8	8	8	8				8	8			8	8		
32	16188-MG9-004	Base, aircleaner	1	1	1	1	1	1									A
32	16188-MG9-601	Base, aircleaner	1	1	1	1											
32	16188-MG9-641	Base, aircleaner	1	1	1	1	1										AC
32	16188-ML8-671	Base, aircleaner								1	1			1			A
32	16188-ML8-681	Base, aircleaner													1		A
32	16188-ML8-741	Base, aircleaner								1	1			1			AC
32	16188-ML8-791	Base, aircleaner													1		AC
33	16196-MG9-004	Trap comp., Frame	4	4	4	4				4	4						
33	16196-ML8-601	Trap comp., Frame												4	4		
34	32981-371-000	Grommet, high tension cord	2	2	2	2	2			2	2			2	2		
35	35360-MG9-951	Switch assy., Grip cancel													1		
36	90041-MG9-000	Screw-washer, 5x12	4	4	4	4	4			4	4			4	4		
37	90602-MG9-680	Clip a12, tube				2	2			2	2						
37	95002-	Clip a12,	2	2	2									1	1		

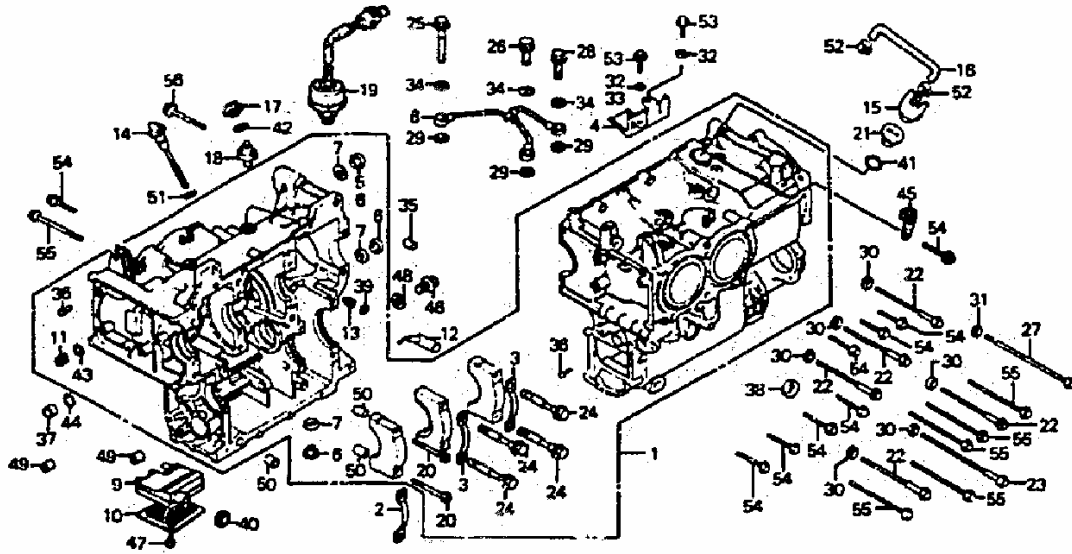
	01120	tube															
38	91401-MG9-000	Hose, fuel, 5.3x110	1	1	1	1	1			1	1						
39	93500-04006-0H	Screw, pan, 4x6													1		
40	93500-05006-08	Screw, pan, 5x6	4	4	4	4	4										
40	93500-05008-0B	Screw, pan, 5x8								4	4			4	4		
41	93500-05020-0H	Screw, pan, 5x20													1		
42	93892-04010-00	Screw-washer, 4x10	3	3	3	3	3			3	3			3	3		
43	93892-04012-00	Screw-washer, 4x12	5	5	5	5	5			5	5			5	5		
44	93892-05012-00	Screw-washer, 5x12	4	4	4	4	4			4	4			4	4		
45	93892-05014-00	Screw-washer, 5x14													1		
46	94101-05200	Washer, plain, 5mm	4	4	4	4	4			4	4			4	4		
47	94591-44000	Clip, 4x40													1		
48	95001-45130-40	Tube, fuel, 4.5x130	1	1	1	1	1			1	1			1	1		
49	95001-45180-40	Tube, fuel, 4.5x180	1	1	1	1	1			1	1			1	1		
50	95001-75110-40	Tube, fuel, 7.3x110												1	1		
51	95002-02130	Clip b12.5, tube												2	2		



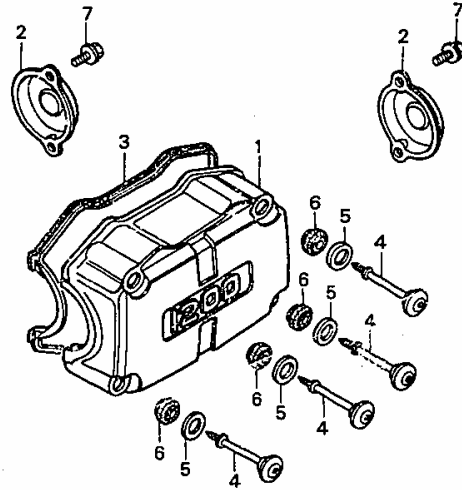
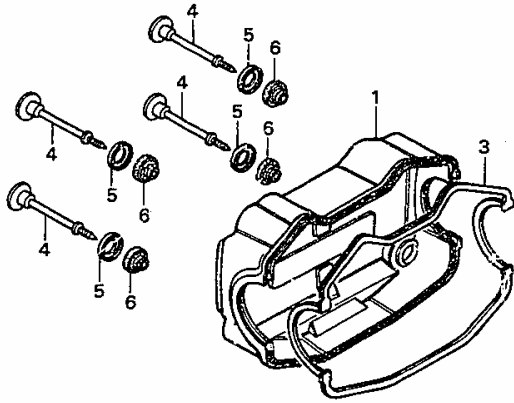
Nr	Partnr	Description	84 Std	84 Int	84 asp	85 Int	85 asp	85 Ltd	86 Int	86 asp	86 SEi	87 Int	87 asp	Serialnr	Areacode
1	16010-MG9-004	Gasket set	4	4	4	4	4		4	4		4	4		
2	16011-MB1-671	Valve set, float	4	4	4	4	4		4	4		4	4		
3	16013-MB0-671	Float set	4	4	4	4	4		4	4		4	4		
4	16015-MG9-004	Chamber set, float (left side)	2	2	2	2	2		2	2		2	2		
5	16016-KJ9-671	Screw set a							4	4					
5	16016-MB0-671	Screw set a	4	4	4	4	4					4	4		
5	16016-MF5-671	Screw set a										4	4		AC
6	16023-MG9-004	Chamber set, float (right side)	2	2	2	2	2		2	2		2	2		
7	16025-MG9-004	Link set a, starter	2	2	2	2	2		2	2		2	2		
8	16029-KE8-004	Screw set c	3	3	3	3	3		3	3		3	3		
9	16035-MG9-004	Link set b, starter	2	2	2	2	2		2	2		2	2		
10	16037-ME5-	Plate set, valve	4	4	4	4	4		4	4		4	4		

	671																
11	16046-MA6-003	Valve set, starter	4	4	4												A,AC,CM,E,ED,F,G,U
11	16046-MG9-681	Valve set, starter		4	4	4	4		4	4		4	4				A,AC,SW
11	16046-MG9-681	Valve set, starter				4	4										CM,E,ED,G,IT,SO
12	16050-MG9-004	Spring, vacuum piston	4	4	4												A,CM,E,ED,F,G,U
12	16050-MG9-004	Spring, vacuum piston		4	4	4	4										AC,SW
12	16051-MG9-004	Spring, vacuum piston				4	4		4	4		4	4				A,CM,E,ED,G,IT,SO
13	16052-ME9-672	Spring	3	3	3	3	3		3	3		3	3				
14	16107-MG9-004	Top	4	4	4	4	4		4	4		4	4				
15	16109-MB0-671	Cap							4	4		4	4				
16	16111-MG9-004	Valve, throttle	4	4	4	4	4		4	4							
16	16111-ML8-741	Valve, throttle							4	4		4	4				
17	16131-MG9-004	Needle, jet	4	4	4												A
17	16131-MG9-601	Needle, jet	4	4	4												CM,E,ED,F,G,U
17	16131-MG9-601	Needle, jet		4	4	4	4										SW
17	16131-MG9-641	Needle, jet	4	4	4												AC
17	16131-MG9-692	Needle, jet				4	4										CM,E,ED,G,IT,SO
17	16131-ML8-601	Needle, jet										4	4				A
17	16131-ML8-792	Needle, jet										4	4				AC

17	16151-MG9-682	Needle, jet				4	4	4										A
17	16151-MG9-741	Needle, jet				4	4		4	4								AC
18	16165-MG9-004	Holder, needle jet	4	4	4													A,SW
18	16165-MG9-641	Holder, needle jet	4	4	4	4	4											AC
18	16165-ML8-741	Holder, needle jet							4	4		4	4					
18	16166-MG9-004	Holder, needle jet				4	4											A,CM,E,ED,G,IT,SO
19	93892-04014-10	Screw-washer, 4x14	16	16	16	16	16		16	16		16	16					
20	93892-04016-00	Screw-washer, 4x16	16	16	16	16	16		16	16		16	16					
21	99101-GHB-1020	Jet, main, #102							4	4								AC
21	99101-GHB-1050	Jet, main, #105							4	4								A
21	99101-GHB-1050	Jet, main, #105										4	4					
21	99101-GHB-1080	Jet, main, #108	4	4	4	4	4											
21	99101-GHB-1250	Jet, main, #125	4	4	4	4	4											AC
22	99103-437-0350	Jet, slow, #35	4	4	4	4	4											
22	99103-437-0400	Jet, slow, #40							4	4								
22	99103-KA3-0400	Jet, slow, #40										4	4					

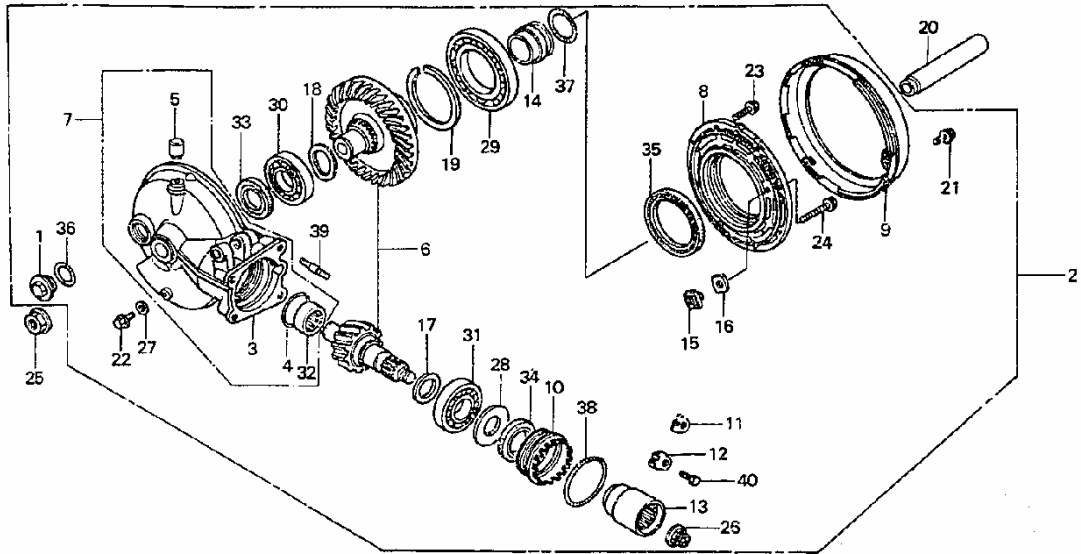


Nr	Partnr	Description	84 Std	84 Int	84 asp	85 Int	85 asp	85 Ltd	86 Int	86 asp	86 SEi	87 Int	87 asp	Serialnr	Areacode
1	11000-MG9-000	Block assy., Cylinder	1	1	1										
1	11000-MG9-680	Block assy., Cylinder				1	1								
1	11000-MG9-950	Block assy., Cylinder						1							
1	11000-ML8-000	Block assy., Cylinder							1	1					
1	11000-ML8-600	Block assy., Cylinder										1	1		
1	11000-ML8-750	Block assy., Cylinder									1				
2	11124-ML8-600	Plate F, bearing cap										1	1	From 2717863	A,AC
3	11125-MG9-000	Plate, bearing cap	2	2	2	2	2	2	2	2	2	2	2		
4	11220-371-000	Guide, oil	1	1	1	1	1	1	1	1	1	1	1		
5	12206-MG9-950	Bolt, special, 18mm						1							
5	12206-ML8-750	Bolt, special, 18mm									1				
6	12206-371-305	Bolt, sealing, 18mm	3	3	3	3	3	2	3	3	2	3	3		
7	12207-611-300	Washer, sealing bolt	3	3	3	3	3	3	3	3	3	3	3		
8	12230-MG9-000	Pipe comp., Oil path	1	1	1	1	1		1	1		1	1		
8	12230-MG9-950	Pipe comp., Oil path						1			1				
9	15151-MG9-000	Case, oil strainer	1	1	1	1	1	1							
9	15151-ML8-000	Case, oil strainer							1	1	1	1	1		



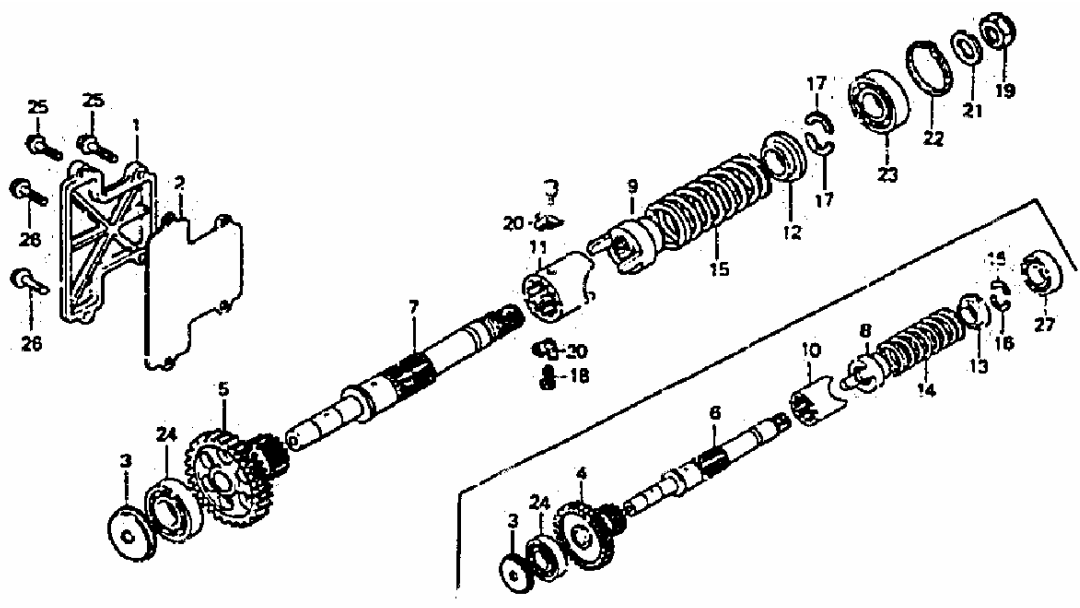
Nr	Partnr	Description	84	84	84	85	85	85	86	86	86	87	87	Serialnr	Areacode
			Std	Int	asp	Int	asp	Ltd	Int	asp	SEi	Int	asp		
1	12311-MG9-000	Cover, cylinder head	2	2	2	2	2	2	2	2	2	2	2		
2	12317-MG9-000	Cover, cylinder head rear	2	2	2	2	2	2	2	2	1	2	2		
3	12328-MG9-000	Gasket, head cover	2	2	2	2	2	2	2	2	2	2	2		
4	90018-MG9-000	Bolt, special, 6x67.5	8	8	8	8	8	8	8	8	8	8	8		
5	90541-MB0-000	Washer, mounting rubber	8	8	8	8	8	8	8	8	8	8	8		
6	90542-MB0-000	Rubber, mounting	8	8	8	8	8	8	8	8	8	8	8		
7	96000-06010-02	Bolt, flange, 6x10	4	4	4	4	4	4	4	4	2	4	4		

	MG9-000														
12	12262-MG9-000	Plate, orifice	2	2	2	2	2	2	2	2	2	2	2		
13	16219-MB0-770	Band, insulator	4	4	4	4	4		4	4		4	4		
14	17110-MG9-000	Manifold A, in.	1	1	1	1	1		1	1		1	1		
15	17110-MG9-950	Manifold A, in.						1				1			
16	17120-MG9-000	Manifold B, in.	2	2	2	2	2		2	2		2	2		
17	17120-MG9-950	Manifold B, in.						2				2			
18	17160-MG9-000	Manifold C, in.	1	1	1	1	1		1	1		1	1		
19	17160-MG9-950	Manifold C, in.						1				1			
20	90001-371-003	Bolt, flange, 10x90	8	8	8	8	8	8	8	8	8	8	8		
21	90002-371-003	Bolt, flange, 10x115	4	4	4	4	4	4	4	4	4	4	4		
22	90003-MG9-000	Bolt, flange, 8x75	8	8	8	8	8	8	6	6	6	6	6	To 2521395	
22	90003-MG9-000	Bolt, flange, 8x75				6	6	6						From 2521395	
23	90011-MG9-000	Bolt, flange, 8x75	4	4	4	4	4	4	6	6	6	6	6	To 2521395	
23	90011-MG9-000	Bolt, flange, 8x75				6	6	6						From 2521395	
24	90035-371-000	Bolt, stud, 8x43	8	8	8	8	8	8	8	8	8	8	8		
25	90438-634-000	Washer, 21x11x2.3	12	12	12	12	12	12	12	12	12	12	12		
26	90442-397-000	Washer, sealing, 6mm	4	4	4	4	4	4	4	4	4	4	4		
27	90452-323-000	Washer, thrust, 5mm	4	4	4	4	4	4	4	4	4	4	4		
28	91209-371-003	Oil seal, 27x43x9	2	2	2	2	2	2	2	2	2	2	2		
29	91209-463-003	Cap, seal, 43x9	2	2	2	2	2	2	2	2	2	2	2		
30	91301-MG9-003	O-ring, 35.5x2.6	4	4	4	4	4	4	4	4	4	4	4		
30	91301-MG9-005	O-ring, 35.5x2.5	4	4	4	4	4	4	4	4	4	4	4		
31	91305-371-003	O-ring, 6.5x1.5	2	2	2	2	2	2	2	2	2	2	2		
32	91308-371-003	O-ring, 4.1x1.5	2	2	2	2	2	2	2	2	2	2	2		
33	92500-06032-0B	Bolt, cap, 6x32	8	8	8	8	8		8	8					
33	96000-06032-02	Bolt, flange, 6x32										8	8		



Nr	Partnr	Description	84 Std	84 Int	84 asp	85 Int	85 asp	85 Ltd	86 Int	86 asp	86 SEi	87 Int	87 asp	Serialnr	Areacode
1	12361-035-000	Cap, tappet adjusting hole	1	1	1	1	1	1	1	1	1	1	1		
2	41300-MG9-010	Gear assy., Final driven	1		1									To EA016304	CM
2	41300-MG9-010	Gear assy., Final driven		1										To 4018011	EU
2	41300-MG9-010	Gear assy., Final driven		1										To EA017202	
2	41300-MG9-010	Gear assy., Final driven			1									To 6019057	E,ED,F,SW,U
2	41300-MG9-020	Gear assy., Final driven	1											From EA16304	CM
2	41300-MG9-020	Gear assy., Final driven		1										From 4018012	EU
2	41300-MG9-020	Gear assy., Final driven		1										From EA17202	
2	41300-MG9-020	Gear assy., Final driven			1				1	1	1			From 6019058	E,ED,F,SW,U
2	41300-MG9-030	Gear assy., Final driven				1	1	1	1	1	1	1	1		
3	41301-MG9-000	Case, final gear	1		1									To EA016304	CM
3	41301-MG9-000	Case, final gear		1										To 4018011	EU

3	41301-MG9-000	Case, final gear		1															To EA017202	
3	41301-MG9-000	Case, final gear			1														To 6019057	E,ED,F,SW,U
3	41301-MG9-010	Case, final gear	1																From EA16304	CM
3	41301-MG9-010	Case, final gear		1															From 4018012	EU
3	41301-MG9-010	Case, final gear		1															From EA17202	
3	41301-MG9-010	Case, final gear			1														From 6019058	E,ED,F,SW,U
3	41301-MG9-020	Case, final gear				1	1	1	1	1	1	1	1	1	1					
4	41305-MB4-770	Ring, stopper				1	1	1							1	1				
5	41306-MB0-010	Cap, breather	1	1	1	1	1	1	1	1	1	1	1	1	1	1				
6	41310-MG9-000	Gear set, final	1	1	1	1	1	1	1	1	1	1	1	1	1	1				
7	41311-MG9-305	Case set, final				1	1	1												
8	41321-MG9-000	Cover, gear case	1	1	1	1	1	1	1	1	1	1	1	1	1	1				
9	41324-MG9-000	Plate, dust guard	1	1	1	1	1	1	1	1	1	1	1	1	1	1				
10	41331-MG9-000	Retainer, bearing	1	1	1	1	1	1	1	1	1	1	1	1	1	1				
11	41332-415-000	Lock, gearing adjusting (a)	1	1	1	1	1	1	1	1	1	1	1	1	1	1				
12	41333-415-000	Lock, bearing adjusting (b)	1	1	1	1	1	1	1	1	1	1	1	1	1	1				
13	41410-MG9-000	Joint, pinion	1	1	1	1	1	1	1	1	1	1	1	1	1	1				
14	41433-MG9-000	Holder, o-ring	1	1	1	1	1	1	1	1	1	1	1	1	1	1				
15	41436-MB0-310	Pin, ring gear stopper	1	1	1	1	1	1	1	1	1	1	1	1	1	1				



Nr	Partnr	Description	84 Std	84 Int	84 asp	85 Int	85 asp	85 Ltd	86 Int	86 asp	86 SEi	87 Int	87 asp	Serialnr	Areacode
1	11371-MG9-000	Cover, final gear	1	1	1	1	1		1	1		1	1		
1	11371-MG9-950	Cover, final gear						1			1				
2	11372-463-003	Gasket, final gear cover	1	1	1	1	1	1	1	1	1	1	1		
3	23161-371-000	Plate B, oil path	1	1	1	1	1	1	1	1	1	1	1		
4	23511-MB9-780	Gear, final driven (35t)	1	1	1										
4	23511-MG9-680	Gear, final driven (36t)				1	1	1	1	1	1				
5	23511-ML8-600	Gear, final driven (40t)										1	1		
6	23521-MG9-000	Shaft, final gear	1	1	1	1	1	1	1	1	1				
7	23521-ML8-600	Shaft, final gear										1	1		
8	23721-MB9-780	Lifter, damper	1	1	1	1	1	1	1	1	1				
9	23721-ML8-600	Lifter, damper										1	1		
10	23722-MG9-000	Cam, damper	1	1	1	1	1	1	1	1	1				
11	23722-ML8-600	Cam, damper										1	1		
13	23731-371-000	Stopper, damper spring	1	1	1	1	1	1	1	1	1				
12	23731-ML8-600	Stopper, damper spring										1	1		
14	23732-371-000	Spring, damper	1	1	1	1	1	1							

14	23732-ML8-000	Spring, damper								1	1	1				
15	23732-ML8-600	Spring, damper											1	1		
16	23733-371-000	Washer, spring stopper	2	2	2	2	2	2	2	2	2	2				
17	23735-ML8-600	Cotter, damper spring											2	2		
18	90001-ML8-600	Bolt, lock 7mm											2	2		
19	90201-ML8-600	Nut, lock 27mm											1	1		
20	90401-ML8-600	Washer, lock 7mm											2	2		
21	90457-HA0-000	Washer, thrust 27x40											1	1		
22	90602-ML8-600	Ring, snap 58mm											1	1		
23	91002-MG9-005	Bearing special ball 62/28											1	1		
24	91002-371-004	Bearing, ball, 6304c	1	1	1	1	1	1	1	1	1	1	1	1		
25	95700-06028-00	Bolt, flange, 6x28	2	2	2	2	2	2	2	2	2	2	2	2		
26	96000-06025-02	Bolt, flange, 6x25	2	2	2	2	2	2	2	2	2	2	2	2		
27	96100-62050-00	Bearing, radial ball, 6205	1	1	1	1	1	1	1	1	1	1				

GASKET KITS A

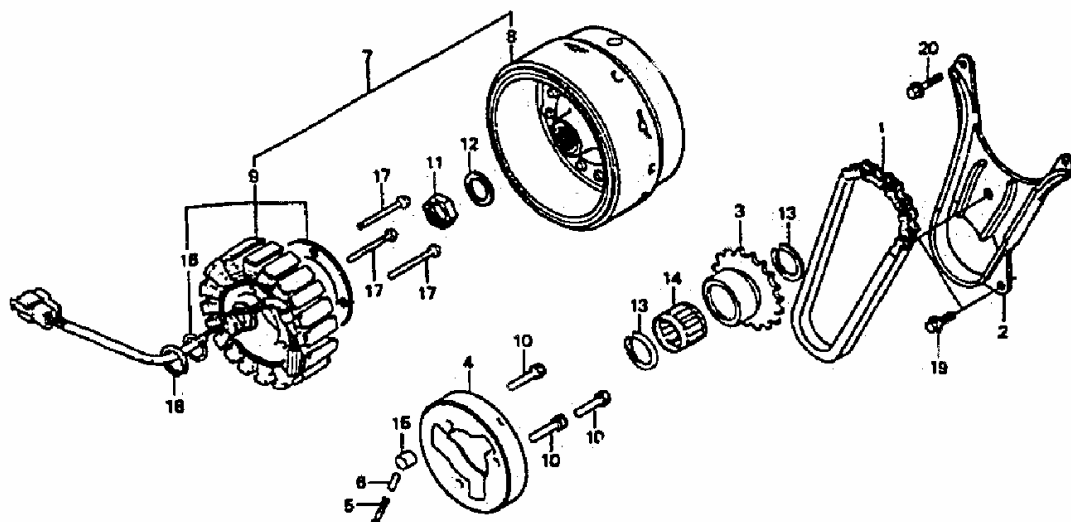
Photo not applicable

Nr	Partnr	Description	84 Std	84 Int	84 asp	85 Int	85 asp	85 Ltd	86 Int	86 asp	86 SEi	87 Int	87 asp	Serialnr	Areacode
0	061A1-MG9-000	Gasket kit a	1	1	1	1	1	1							
0	061A1-ML8-T70	Gasket kit a							1	1	1	1	1		
1	12209-MB9-003	Seal, valve stem (nok)	8	8	8	8	8	8	8	8	8	8	8		
2	12251-MG9-000	Gasket, cylinder head	2	2	2	2	2	2	2	2	2	2	2		
3	12261-MG9-000	Ring, oil seal	8	8	8	8	8	8	8	8	8	8	8		
4	12328-MG9-000	Gasket, head cover	2	2	2	2	2	2	2	2	2	2	2		
5	12391-MG9-000	Gasket, sealed cover	2	2	2	2	2	2	2	2	2	2	2		
6	18291-286-000	Gasket, ex. Pipe	4	4	4	4	4	4	4	4	4	4	4		
7	19429-371-000	Packing, water joint	2	2	2	2	2	2							
7	19429-ML8-003	Packing, water joint							2	2	2	2	2		
8	91301-MG9-003	O-ring, 35.5x2.6	4	4	4	4	4	4	4	4	4	4	4		
8	91301-MG9-005	O-ring, 35.2x2.5	4	4	4	4	4	4	4	4	4	4	4		
9	91302-317-700	O-ring, 54x2	1	1	1	1	1	1	1	1	1	1	1		
10	91302-MB6-003	O-ring, 21.9x2.5	4	4	4	4	4	4	4	4	4				
11	91305-371-003	O-ring, 6.5x1.5	2	2	2	2	2	2	2	2	2	2	2		
12	91307-611-000	O-ring, 13.5x1.4	1	1	1	1	1	1	1	1	1	1	1		
13	91308-371-003	O-ring, 4.1x7.5	2	2	2	2	2	2	2	2	2	2	2		
14	91310-611-000	O-ring, 15.5x1.4	1	1	1	1	1	1	1	1	1	1	1		

GASKET KITS B

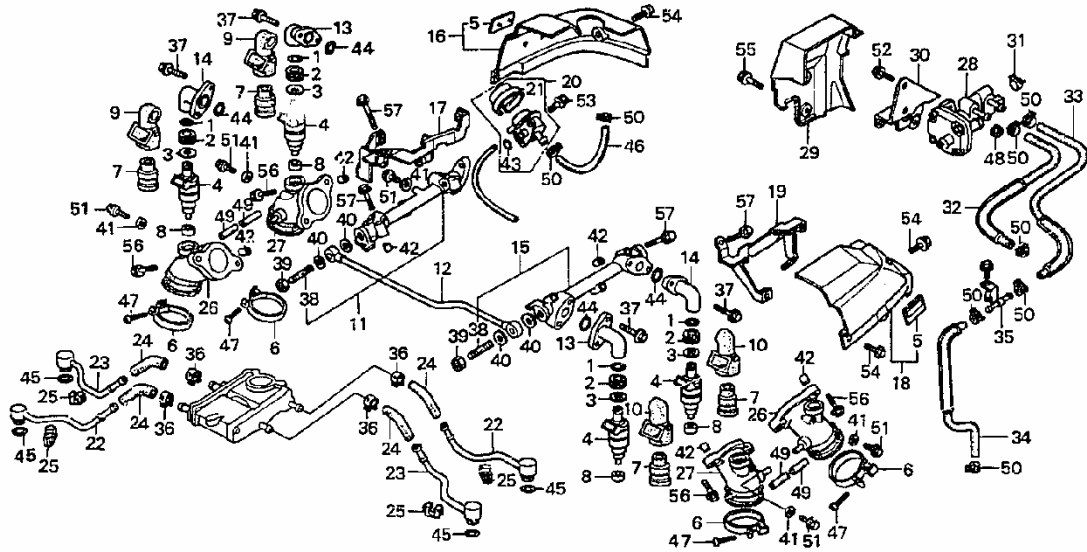
Photo not applicable

Nr	Partnr	Description	84 Std	84 Int	84 asp	85 Int	85 asp	85 Ltd	86 Int	86 asp	86 SEi	87 Int	87 asp	Serialnr	Areacode
0	061B1-MG9-000	Gasket kit b	1	1	1										
0	061B1-MG9-680	Gasket kit b				1	1							To 2514275	
0	061B1-MG9-950	Gasket kit b						1							
0	061B1-ML8-670	Gasket kit b							1	1					
0	061B1-ML8-T71	Gasket kit b										1	1		
0	061B1-ML8-406	Gasket kit b									1				
1	11372-463-003	Gasket, final gear cover	1	1	1	1	1	1	1	1	1	1	1		
2	11391-MG9-000	Gasket, transmission cover	1	1	1	1	1	1	1	1	1	1	1		
3	11393-MG9-000	Gasket, clutch cover	1	1	1										
3	11393-MG9-307	Gasket, clutch cover				1	1	1	1	1	1	1	1		
4	11394-371-000	Gasket, RR. Case	1	1	1										
4	11394-MG9-680	Gasket, RR. Case				1	1							To 2514274	
4	11394-ML8-000	Gasket, RR. Case							1	1	1	1	1		
5	11396-371-000	Gasket, water pump	1	1	1	1	1	1	1	1	1	1	1		
6	12391-MG9-000	Gasket, sealed cover						1			1				
7	15128-MG9-000	Packing, oil path	1	1	1	1	1	1	1	1	1	1	1		
8	15229-371-000	Packing, clutch oil pump	1	1	1	1	1	1	1	1	1	1	1		
9	30379-MG9-000	Gasket, pulser cover	1	1	1										
10	30383-MG9-950	Gasket, pulse alternator cover						1			1				
11	91259-333-000	O-ring, 9.5x1.7	1	1	1	1	1	1	1	1	1	1	1		
12	91302-001-020	O-ring, 30.8mm	1	1	1	1	1	1	1	1	1	1	1		
13	91302-200-000	O-ring, 33.5x3	1	1	1	1	1	1	1	1	1	1	1		
14	91302-377-000	O-ring, 15x2.5	1	1	1	1	1	1	1	1	1	1	1		



Nr	Partnr	Description	84 Std	84 Int	84 asp	85 Int	85 asp	85 Ltd	86 Int	86 asp	86 SEi	87 Int	87 asp	Serialnr	Areacode
1	28101-371-003	Chain, starting	1	1	1	1	1	1							
1	28101-MG9-681	Chain, starting				1	1							CM	
1	28101-MG9-681	Chain, starting							1	1	1	1	1		
2	28106-ML8-000	Guide, compl., starter chain							1	1	1				
2	28106-ML8-010	Guide, compl., starter chain							1	1	1	1	1		
3	28111-MG9-000	Sprocket, starting	1	1	1	1	1	1	1	1	1	1	1		
4	28120-MG9-000	Outer, starting clutch	1	1	1	1	1	1	1	1	1	1	1		
5	28125-516-030	Spring, starting clutch roller	3	3	3	3	3	3	3	3	3	3	3		
6	28126-415-000	Cap, starting clutch roller spring	3	3	3	3	3	3	3	3	3	3	3		
7	31100-MG9-950	Alternator assy., Flywheel type a.c.						1							
7	31100-ML8-305	Alternator assy., Flywheel type a.c.	1	1	1	1	1		1	1		1	1		
7	31100-ML8-751	Alternator assy., Flywheel type a.c.									1				
8	31110-MG9-003	Flywheel comp.	1	1	1										
8	31110-MG9-681	Flywheel comp.				1	1		1	1		1	1		
8	31110-MG9-951	Flywheel comp.						1			1				
9	31120-MG9-003	Stator comp.	1	1	1										
9	31120-MG9-681	Stator comp.				1	1		1	1		1	1		

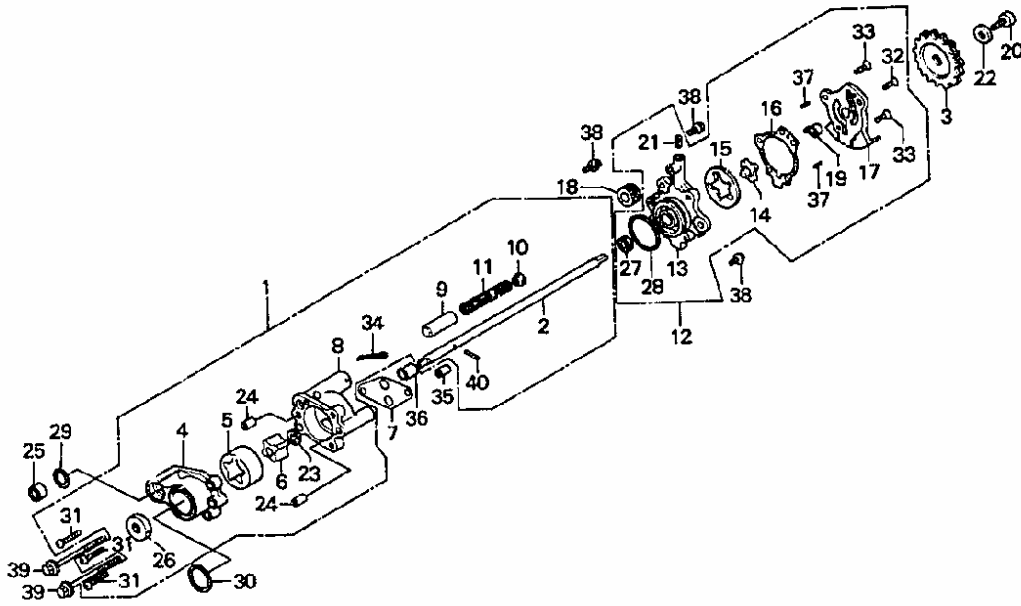
9	31120-MG9-951	Stator comp.						1			1			
10	90010-415-000	Bolt, socket, 8mm	3	3	3	3	3	3	3	3	3	3	3	
11	90202-KG4-000	Nut, lock, 22mm	1	1	1	1	1	1	1	1	1	1	1	
12	90401-MG9-000	Washer, special, 22mm	1	1	1	1	1	1	1	1	1	1	1	
13	90605-MG9-000	Circlip, internal, 40mm	2	2	2	2	2	2	2	2	2	2	2	
15	91101-516-000	Roller, 15x13	3	3	3	3	3	3	3	3	3	3	3	
14	91101-MG9-008	Bearing, needle, 35x40x27	1	1	1	1	1	1	1	1	1	1	1	
16	91354-371-000	O-ring, 23mm	1	1	1	1	1	1	1	1	1	1	1	
17	93500-06040	Screw, pan, 6x40	3	3	3	3	3		3	3				
17	93500-06045	Screw, pan, 6x45						3			3			
17	95700-06040-02	Bolt, flange, 6x40										3	3	
18	94511-26000	Circlip, external, 26mm	1	1	1	1	1	1	1	1	1			
18	94514-26000	Circlip, external, 26mm										1	1	
19	95700-06016	Bolt, flange, 6x16							2	2	2	2	2	
20	95700-06025-00	Bolt, flange, 6x25							2	2	2	2	2	



Nr	Partnr	Description	84 Std	84 Int	84 asp	85 Int	85 asp	85 Ltd	86 Int	86 asp	86 SEi	87 Int	87 asp	Serialnr	Areacode
1	16111-MC7-000	O-ring, injector						4			4				
2	16112-MG9-950	Ring, cushion						4			4				
3	16115-MG9-950	Shim a, injector						4			4				
3	16116-MG9-950	Shim b, injector						4			4				
3	16117-MG9-950	Shim c, injector						4			4				
3	16118-MG9-950	Shim d, injector						4			4				
4	16120-MG9-951	Injector assy., Fuel (a. Non paint)						4			4				
4	16130-MG9-951	Injector assy., Fuel (b. Blue paint)						4			4				
5	16161-MG9-950	Emblem, throttle link cover						2			2				
6	16219-MB0-770	Band, insulator						4			4				
7	16221-MG9-950	Cover, injector						4			4				
8	16222-MG9-950	Ring, injector seal						4			4				
9	16223-MG9-950	Cover, r. Injector cap						2			2				
10	16224-MG9-950	Cover, l. Injector cap						2			2				
11	16310-MG9-950	Pipe assy., R. Fuel delivery						1			1				
12	16314-MG9-950	Pipe comp., Fuel						1			1				
13	16315-	Cap a, injector						2			2				

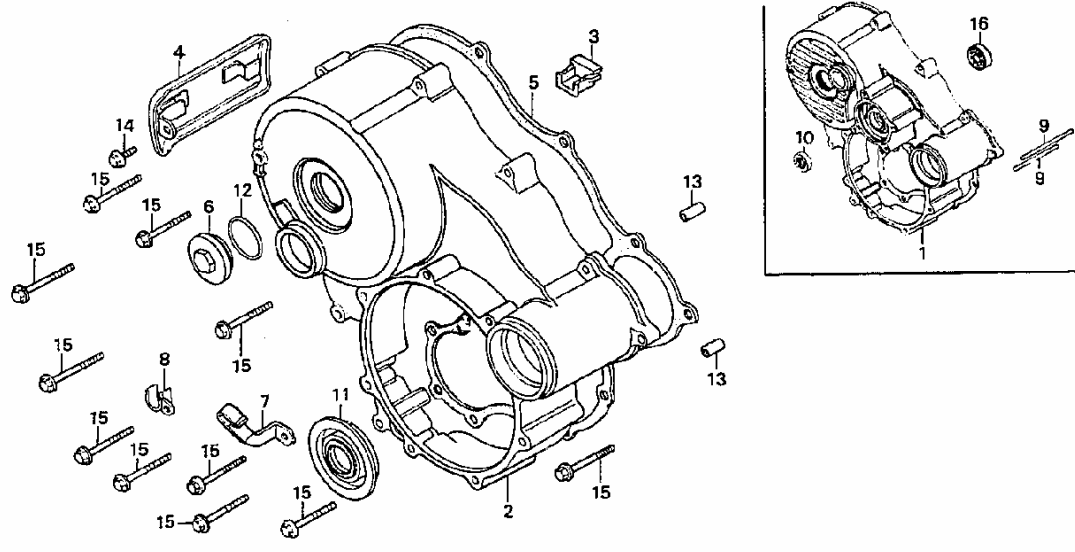
	MG9-950																		
14	16316-MG9-950	Cap a/b, injector						2					2						
15	16320-MG9-950	Pipe assy., L. Fuel delivery						1					1						
16	16340-MG9-950	Cover comp., R. Throttle link						1					1						
17	16345-MG9-950	Bracket comp., R. Throttle link						1					1						
18	16350-MG9-950	Cover comp., L. Throttle link						1					1						
19	16355-MG9-950	Bracket comp., L. Throttle link						1					1						
20	16850-MG9-951	Regulator assy., Pressure						1					1						
21	16852-MG9-951	Cap, pressure regulator						1					1						
22	17130-MG9-000	Pipe comp, air feed (a)						2											
22	17130-ML8-000	Pipe comp, air feed (a)											2						
23	17140-MG9-000	Pipe comp., Air feed (b)						2											
23	17140-ML8-000	Pipe comp., Air feed (b)											2						
24	17150-MG9-000	Hose, air feed						4					4						
25	17151-MG9-000	Rubber, air pipe mounting						4					4						
26	17180-MG9-950	Holder a, injector						2					2						
27	17190-MG9-950	Holder b, injector						2					2						
28	17810-MG9-951	Valve, two way air						1					1						
29	17811-MG9-950	Cover, air valve						1					1						
30	17815-MG9-950	Stay, air valve						1					1						
31	19509-GE2-003	Clamp, tube, d19						1					1						
32	19521-MG9-950	Hose comp., Water (a)						1					1						
33	19522-MG9-950	Hose comp., Water (b)						1					1						
34	19523-MG9-950	Hose comp., Water (c)						1					1						
35	19525-MG9-950	Joint, water hose						1					1						
36	53729-671-003	Clamp d, 15.5mm						8					8						
37	90004-MG9-950	Bolt, flange, 6x25						8					8						

38	90031-MG9-950	Bolt, stud, 12x34						2		2				
39	90201-PD1-000	Nut a, sealing 12mm						2		2				
40	90428-PD1-003	Washer, sealing, 12mm						4		4				
41	90461-357-000	Washer, sealing, 6.5x12mm						1		5				
42	91103-429-000	Pin, dowel, 8x10						12		12				
43	91301-MG9-951	O-ring						1		1				
44	91304-MG9-951	O-ring 13.8xx2.9						4		4				
45	91305-422-000	O-ring, 9.8x2.4						4		4				
46	91401-MG9-000	Hose, fuel, 5.3x110						1		1				
47	93500-05020-0G	Screw, pan, 5x20						4		4				
48	94050-06000	Nut, flange, 6mm						8		2				
49	95001-35025-40	Tube, fuel, 3.5x25						4		4				
50	95002-41250-08	Clip, tube (d12.5)						6		8				
51	95700-06010-00	Bolt, flange, 6x10						1		5				
52	95700-06014	Bolt, flange, 6x14						2		2				
53	95700-06016	Bolt, flange, 6x16						2		2				
54	96000-06010-02	Bolt, flange, 6x10						4		4				
55	96000-06016-02	Bolt, flange, 6x16						2		2				
56	96000-06025-02	Bolt, flange, 6x25						8		8				
57	96000-06035-02	Bolt, flange, 6x35						6		6				

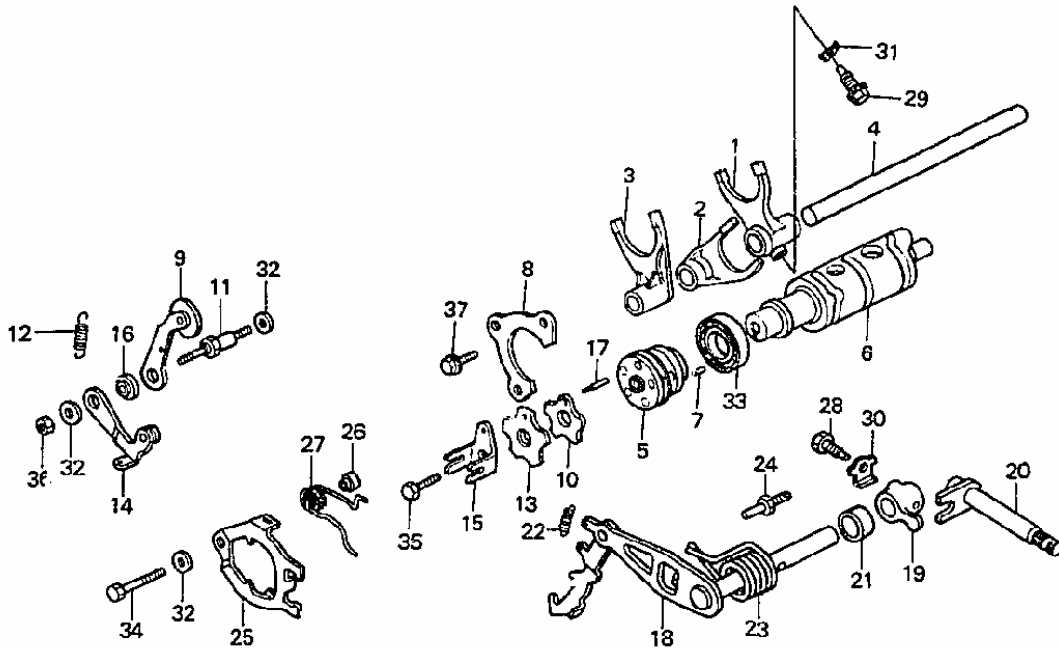


Nr	Partnr	Description	84 Std	84 Int	84 asp	85 Int	85 asp	85 Ltd	86 Int	86 asp	86 SEi	87 Int	87 asp	Serialnr	Areacode
1	15110-MG9-000	Pump assy., oil	1	1	1	1	1	1	1	1	1	1	1		
2	15111-MG9-000	Shaft, oil pump	1	1	1	1	1	1	1	1	1	1	1		
3	15116-MG9-003	Sprocket, oil pump driven	1	1	1	1	1	1	1	1	1	1	1		
4	15121-MG9-000	Body, oil pump	1	1	1	1	1	1	1	1	1	1	1		
5	15121-426-003	Rotor, outer	1	1	1	1	1	1	1	1	1	1	1		
6	15125-MG9-000	Rotor, oil pump	1	1	1	1	1	1	1	1	1	1	1		
7	15128-MG9-000	Gasket, oil path	1	1	1	1	1	1	1	1	1	1	1		
8	15131-MG9-000	Base, oil pump	1	1	1	1	1	1	1	1	1	1	1		
9	15141-371-000	Valve, relief	1	1	1	1	1	1	1	1	1	1	1		
10	15142-371-000	Seat, relief valve	1	1	1	1	1	1	1	1	1	1	1		
11	15145-371-000	Spring, relief valve	1	1	1	1	1	1	1	1	1	1	1		
12	15220-371-000	Pump assy., clutch oil	1	1	1	1	1	1	1	1	1	1	1		
13	15221-371-000	Body, clutch oil pump	1	1	1	1	1	1	1	1	1	1	1		
14	15225-371-000	Rotor B, inner	1	1	1	1	1	1	1	1	1	1	1		
15	15226-371-000	Rotor B, outer	1	1	1	1	1	1	1	1	1	1	1		
16	15229-371-	Gasket, clutch oil	1	1	1	1	1	1	1	1	1	1	1		

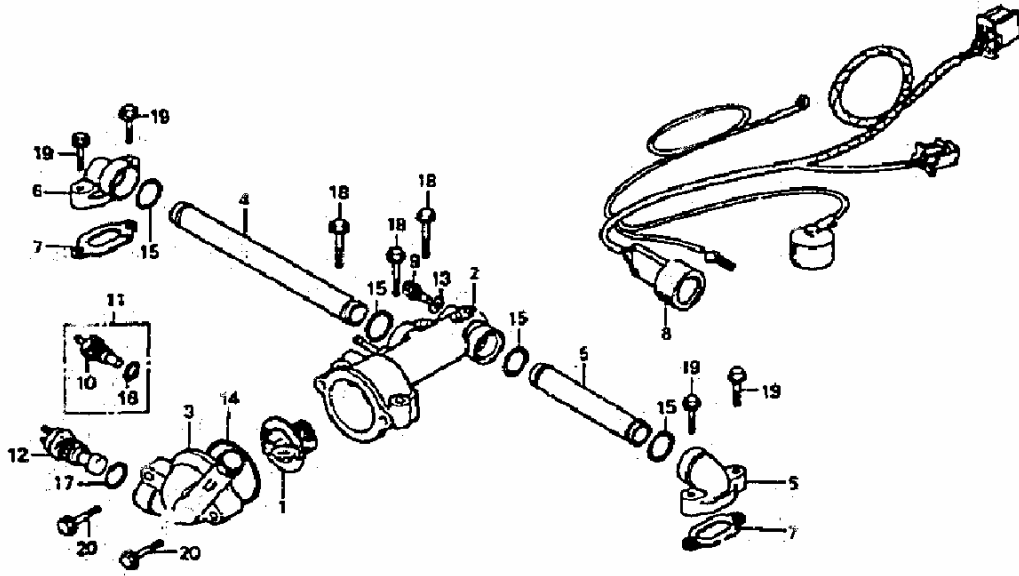
	000	pump															
17	15231-371-000	Cover, clutch oil pump	1	1	1	1	1	1	1	1	1	1	1	1			
18	15239-463-000	Grommet, oil pump	1	1	1	1	1	1	1	1	1	1					
18	15239-ML8-010	Grommet, oil pump											1	1			
19	15256-371-005	Collar, oil pump	1	1	1	1	1	1	1	1	1	1	1	1			
20	90011-463-000	Bolt, socket, 6x12	1	1	1	1	1	1	1	1	1	1	1	1			
21	90025-371-000	Screw, sealing	1	1	1	1	1	1	1	1	1	1	1	1			
22	90417-041-000	Washer, gearshift drum side	1	1	1	1	1	1	1	1	1	1	1	1			
23	90456-333-000	Washer, thrust 11mm	1	1	1	1	1	1	1	1	1	1	1	1			
24	24261-283-000	Pin, dowel, 8x10	2	2	2	2	2	2	2	2	2	2	2	2			
25	90703-371-000	Collar, 17x10	1	1	1	1	1	1	1	1	1	1	1	1			
26	91207-580-003	Oil seal, 10x25x7	1	1	1	1	1	1	1	1	1	1	1	1			
27	91208-300-003	Oil seal, 11x15x3	1	1	1	1	1	1	1	1	1	1	1	1			
28	91302-200-000	O-ring, 33.5x3	1	1	1	1	1	1	1	1	1	1	1	1			
29	91333-567-010	O-ring, 17.0x2.5	1	1	1	1	1	1	1	1	1	1	1	1			
30	91345-580-000	O-ring, 29x2.2	1	1	1	1	1	1	1	1	1	1	1	1			
31	93500-06028	Screw, pan 6x28	3	3	3	3	3	3	3	3	3	3	3	3			
32	93600-05012-0H	Screw, flat 5x12	1	1	1	1	1	1	1	1	1	1	1	1			
33	93600-05014-0A	Screw, pan 5x14	2	2	2	2	2	2	2	2	2	2	2	2			
34	94201-30250	Pin, split, 3.0x25	1	1	1	1	1	1	1	1	1	1	1	1			
35	94301-08140	Pin, dowel, 8x14	1	1	1	1	1	1	1	1	1	1	1	1			
36	94301-14200	Pin A, dowel, 14x20	1	1	1	1	1	1	1	1	1	1	1	1			
37	94303-04065	Pin C, dowel, 4x6.5	2	2	2	2	2	2	2	2	2	2	2	2			
38	95700-06018-00	Bolt, flange, 6x18	3	3	3	3	3	3	3	3	3	3	3	3			
39	95700-06080-00	Bolt, flange, 6x80	2	2	2	2	2	2	2	2	2	2	2	2			
40	96220-40158	Roller, 4x15.8	1	1	1	1	1	1	1	1	1	1	1	1			



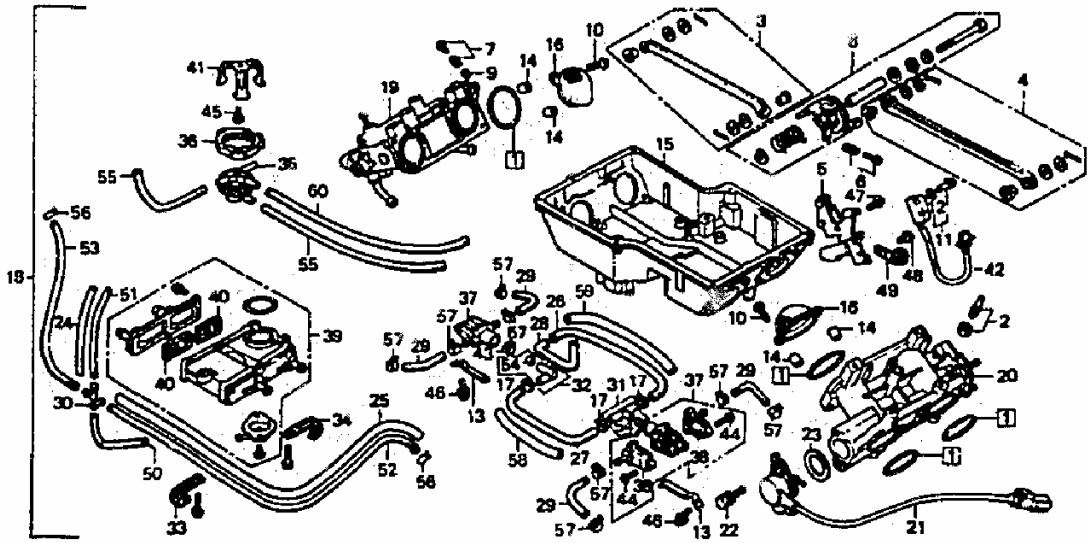
Nr	Partnr	Description	84 Std	84 Int	84 asp	85 Int	85 asp	85 Ltd	86 Int	86 asp	86 SEi	87 Int	87 asp	Serialnr	Areacode
1	11311-MG9-000	Case, RR.	1	1	1										
1	11311-ML8-000	Case, RR.							1	1					
1	11311-ML8-600	Case, RR.										1	1		
1	11311-ML8-750	Case, RR.									1				
2	11311-MG9-680	Case, RR.				1	1								
2	11311-MG9-950	Case, RR.						1							
3	11313-MG9-000	Guide, a.c. generator oil	1	1	1										
3	11313-MG9-680	Guide, a.c. generator oil				1	1		1	1		1	1		
3	11313-MG9-950	Guide, a.c. generator oil						1			1				
4	11315-463-000	Insulator comp., Heat	1	1	1	1	1	1	1	1	1	1	1		
	11331-ML8-000	Guide starter motor wire							1	1	1	1	1		
5	11394-371-000	Gasket, RR. Case	1	1	1										
5	11394-MG9-306	Gasket, RR. Case				1	1	1							
5	11394-ML8-000	Gasket, RR. Case							1	1	1	1	1		
6	12361-035-000	Cap tappet adjusting hole	1	1	1	1	1	1	1	1	1	1	1		
	12361-300-000	Cap, valve adj.							1	1	1	1	1		



Nr	Partnr	Description	84 Std	84 Int	84 asp	85 Int	85 asp	85 Ltd	86 Int	86 asp	86 SEi	87 Int	87 asp	Serialnr	Areacode
1	24211-MG9-000	Fork, R. Gearshift	1	1	1	1	1	1	1	1	1	1	1		
2	24212-MG9-000	Fork, center gearshift	1	1	1	1	1	1	1	1	1	1	1		
3	24213-MG9-000	Fork, L. Gearshift	1	1	1									To 2401965	
3	24213-MG9-010	Fork, L. Gearshift	1	1	1									From 2401966	
3	24213-MG9-020	Fork, L. Gearshift				1	1	1	1	1	1	1	1		
4	24261-MG9-000	Shaft, gearshift fork	1	1	1	1	1	1	1	1	1	1	1		
5	24300-MG9-300	Center, gearshift drum	1	1	1	1	1	1	1	1	1	1	1		
6	24301-MB9-300	Drum, gearshift	1	1	1	1	1	1	1	1	1				
6	24301-MB9-310	Drum, gearshift										1	1		
7	24306-235-300	Pin, gearshift drum	1	1	1	1	1	1	1	1	1	1	1		
8	24307-MG9-000	Plate, drum setting	1	1	1	1	1	1	1	1	1	1	1		
9	24330-MG9-000	Stopper comp., Gearshift drum							1	1	1	1	1		
9	24430-MB9-000	Stopper comp., Drum	1	1	1	1	1	1							
10	24433-MG9-000	Plate comp., Drumcam							1	1	1				
10	24433-ML8-600	Plate comp., Drumcam										1	1		



Nr	Partnr	Description	84 Std	84 Int	84 asp	85 Int	85 asp	85 Ltd	86 Int	86 asp	86 SEi	87 Int	87 asp	Serialnr	Areacode
1	19300-MG9-000	Thermostat	1	1	1	1	1	1	1	1	1	1	1		
2	19310-MG9-950	Case complete, thermostat						1			1				
2	19311-MG9-000	Case, thermostat	1	1	1	1	1		1	1		1	1		
3	19315-371-000	Cover, thermostat	1	1	1	1	1	1	1	1	1	1	1		
4	19411-MG9-000	Pipe R connecting	1	1	1	1	1	1	1	1	1	1	1		
5	19412-MG9-000	Pipe L connecting	1	1	1	1	1	1	1	1	1	1	1		
6	19421-371-000	Joint, water	2	2	2	2	2	2							
6	19421-ML8-000	Joint, water							2	2	2	2	2		
7	19429-371-000	Packing (Gasket), water joint	2	2	2	2	2	2							
7	19429-ML8-003	Packing (Gasket), water joint							2	2	2	2	2		
8	32104-MG9-670	Harness D, sub wire	1	1		1			1			1			
8	32104-MG9-770	Harness D, sub wire			1		1			1			1		
8	32104-MG9-950	Sub harness, engine						1							
8	32104-ML8-750	Sub harness, engine									1				
9	36151-MC7-003	Sensor, temperature						1			1				
11	37510-371-008	Sending unit, water temperature	1	1	1	1	1		1			1			
10	37510-	Thermostat unit						1		1	1		1		



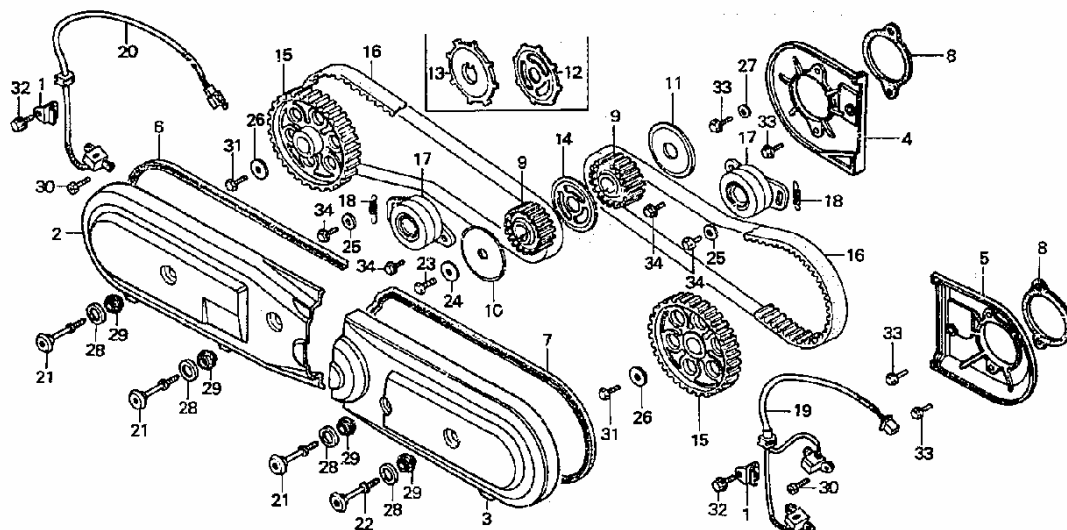
Nr	Partnr	Description	84	84	84	85	85	85	86	86	86	87	87	Serialnr	Areacode
			Std	Int	asp	Int	asp	Ltd	Int	asp	SEi	Int	asp		
1	16010-MG9-951	Gasket set						4			4				
2	16016-MG9-951	Screw set						1			1				
3	16017-MG9-951	Link set a						1			1				
4	16018-MG9-951	Link set b						1			1				
5	16027-MG9-741	Plate set, stay						1			1				
6	16028-MG9-004	Screw set b						1			1				
7	16029-KE8-004	Screw set c						1			1				
8	16030-MG9-951	Throttle set						1			1				
9	16052-ME9-672	Spring						1			1				
10	16080-MB0-671	Screw, pan						8			8				
11	16080-MG9-741	Screw set						2			2				
12	16085-	Washer, plain						2			2				

	MG9-741																		
13	16119-MG9-951	Plate, stay						2			2								
14	16178-MB0-671	Pin, knock						8			8								
15	16188-MG9-841	Base, air cleaner						1			1								AC
15	16188-MG9-951	Base a, air cleaner						1			1								
16	16196-MG9-004	Trap comp., Frame						4			4								
17	16968-MC7-000	Clip 8, fuel hose						3			3								
18	17100-MG9-841	Body assy., Throttle						1											AC
18	17100-MG9-951	Body assy., Throttle						1								To 2522697			A
18	17100-MG9-952	Body assy., Throttle						1								From 2522697			A
18	17100-MG9-961	Body assy., Throttle						1											
18	17100-ML8-751	Body assy., Throttle									1								A
18	17100-ML8-761	Body assy., Throttle									1								AC
19	17101-MG9-841	Body comp., R. Throttle						1			1								AC
19	17101-MG9-951	Body comp., R. Throttle						1			1								
20	17102-MG9-841	Body comp., L. Throttle						1			1								AC
20	17102-MG9-951	Body comp., L. Throttle						1			1								
21	17135-MG9-951	Sensor, throttle						1											
21	17135-ML8-	Sensor, throttle									1								

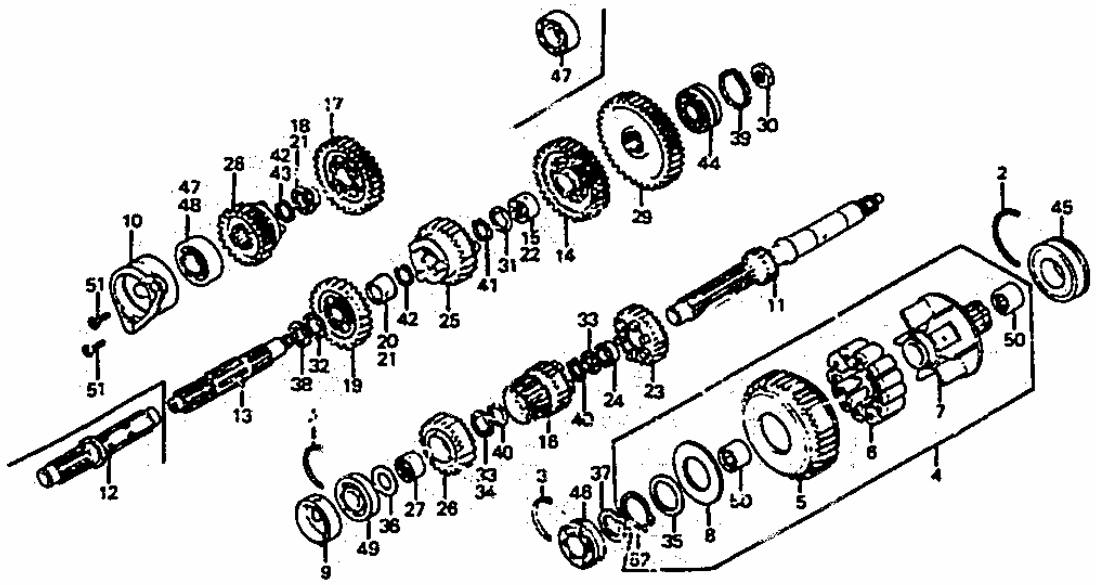
	751																	
22	17147-MC7-003	Bolt, 6x16						2					2					
23	17149-MC7-003	Gasket, sensor						1					1					
24	17171-MG9-950	Tube, vinyl, 8.2x9.2x200						1					1					
25	17172-MG9-950	Tube, vinyl, 8.2x9.2x230						1					1					
26	17191-MG9-950	Tube a, air						1					1					
27	17192-MG9-950	Tube b, air						1					1					
28	17193-MG9-950	Tube c, air						1					1					
29	17194-MG9-950	Tube d, air						4					4					
30	17204-MG9-950	Joint, vacuum tube						1					1					
31	17205-MG9-950	Joint a, air tube						1					1				From 2517800 To 2519891	
32	17206-MG9-950	Joint b, air tube						1					1				From 2517800 To 2519891	
32	17206-MG9-950	Joint b, air tube						1									From 2517382 To 2520154	A
32	17206-MG9-950	Joint b, air tube						1									From 2518110 To 2519742	AC
32	17220-MG9-950	Joint assy., Air tube (b)						1									To 2517381 From 2520155	A
32	17220-MG9-950	Joint assy., Air tube (b)						1									To 2518109 From 2519743	AC
32	17210-MG9-950	Duct, air cleaner						1									To 2517799 From 2519892	

33	17215-MG9-000	Clamp a, tube						1			1						
33	93500-05010-1H	Screw, pan, 5x10						2									
34	17215-MG9-840	Clamp, tube (a)						1			1						AC
34	17215-MG9-950	Clamp, tube (a)						1			1						A
35	17440-MG9-641	Valve, purge control						1			1						AC
36	17451-MG9-642	Rubber, purge control valve mounting						1			1						AC
37	17820-MG9-951	Valve assy., Reed						2			2						
38	17822-MG9-951	Cover, reed valve						4			4						
39	18600-MG9-951	Valve assy., Air suction						1			1						
40	18601-MG9-005	Valve come, reed						2			4						
41	18716-MG9-640	Stay, purge control valve						1			1						AC
42	35360-MG9-951	Switch assy., Grip cancel						1			1						
43	90701-MF5-003	Clamp, water hose (21 mm)						2			2						
44	93500-04014-0A	Screw, pan, 4x14						12			6						
45	93892-04008-00	Screw-washer, 4x8						1			1						AC
46	93892-05010-08	Screw-washer, 5x10						2			2						
47	93892-05014-08	Screw-washer, 5x14						1			1						
48	93892-05020-08	Screw-washer, 5x20						1			1						
49	94591-	Clip, 4x40						1			1						

	44000																
50	95001-35080-40	Tube, fuel, 3.5x80						1					1				
51	95001-35210-40	Tube, fuel, 3.5x210						1					1				
52	95001-35240-40	Tube, fuel, 3.5x240						1					1				
53	95001-35330-40	Tube, fuel, 3.5x330						1					1				
54	95001-55010-40	Tube, fuel, 5.5x10						2					2				
55	95001-55230-40	Tube, fuel, 5.5x230						2					2				AC
56	95002-02080	Clip b8, tube						2					2				
57	17836-MC7-000	Clamp, reed valve tube						8									A
57	95002-41250-08	Clip, tube (d12.5)						8					8				AC
58	95003-55019-20	Tube, vinyl, 17.5x20.5x190						1					1				
59	95003-55027-20	Tube, vinyl, 17.5x20.5x270						1					1				
60	95005-35230-1A	Tube, 3.5x230						1					1				AC

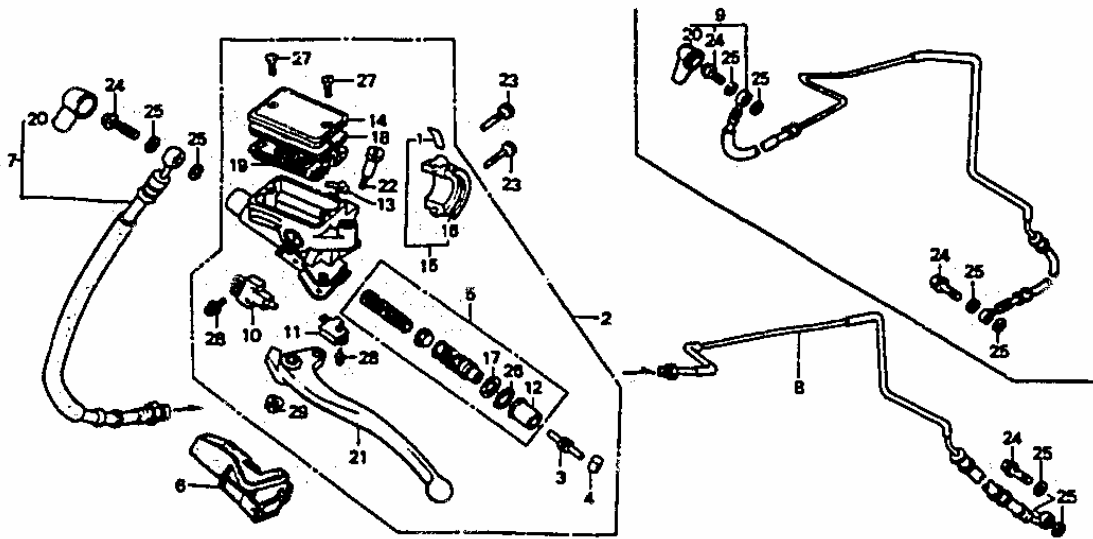


Nr	Partnr	Description	84 Std	84 Int	84 asp	85 Int	85 asp	85 Ltd	86 Int	86 asp	86 SEi	87 Int	87 asp	Serialnr	Areacode
1	11141-MG9-680	Clamp, pulse generator cord (wire)				1	1	1	1	1	1	1	1		
2	11511-MG9-000	Cover, R front	1	1	1										
2	11511-MG9-680	Cover, R front				1	1	1	1	1	1	1	1		
3	11521-MG9-000	Cover, L front	1	1	1										
3	11521-MG9-680	Cover, L front				1	1	1	1	1	1	1	1		
4	11541-MG9-000	Cover, R cylinder head sealed	1	1	1	1	1	1	1	1	1	1	1		
5	11542-MG9-000	Cover, L cylinder head sealed	1	1	1										
5	11542-MG9-680	Cover, L cylinder sealed complete				1	1	1	1	1	1	1	1		
6	11831-MG9-000	Gasket, R front cover	1	1	1										
6	11831-MG9-680	Gasket, R front cover				1	1	1	1	1	1	1	1		
7	11832-MG9-000	Gasket, L front cover	1	1	1										
7	11832-MG9-680	Gasket, L front cover				1	1	1	1	1	1	1	1		
8	12391-MG9-000	Gasket, sealed cover	2	2	2	2	2	2	2	2	2	2	2		
9	13621-657-000	Pulley, timing belt drive	2	2	2	2	2	2	2	2	2	2	2		
10	13622-463-000	Plate, timing belt guide	1	1	1	1	1	1	1	1	1	1	1		
11	13622-657-000	Plate A, timing belt guide	1	1	1	1	1	1	1	1	1	1	1		



Nr	Partnr	Description	84	84	84	85	85	85	86	86	86	87	87	Serialnr	Areacode
			Std	Int	asp	Int	asp	Ltd	Int	asp	SEi	Int	asp		
1	13495-MG9-000	Ring a, ball bearing setting	1	1	1	1	1	1	1	1	1	1	1		
2	13496-MG9-000	Ring b, ball bearing setting	1	1	1	1	1	1	1	1	1	1	1		
3	13497-MG9-000	Ring, ball bearing setting (c)	1	1	1	1	1	1	1	1	1	1	1		
4	23110-MG9-000	Sprocket comp., Primary driven	1	1	1	1	1	1	1	1	1	1	1		
5	23111-MG9-000	Sprocket, primary driven	1	1	1	1	1	1	1	1	1	1	1		
6	23114-MG9-000	Damper, primary	12	12	12	12	12	12	12	12	12	12	12		
7	23121-MG9-000	Hub, primary sprocket	1	1	1	1	1	1	1	1	1	1	1		
8	23125-MG9-000	Spring, primary damper	1	1	1	1	1	1	1	1	1	1	1		
9	23141-MG9-000	Passage, mainshaft oil	1	1	1	1	1	1	1	1	1	1	1		
10	23151-431-000	Holder c, bearing	1	1	1	1	1	1	1	1	1	1	1		
11	23211-MG9-000	Mainshaft	1	1	1	1	1	1	1	1	1	1	1		
12	23220-MG9-	Countershaft, transmission	1	1	1									To 2401965	

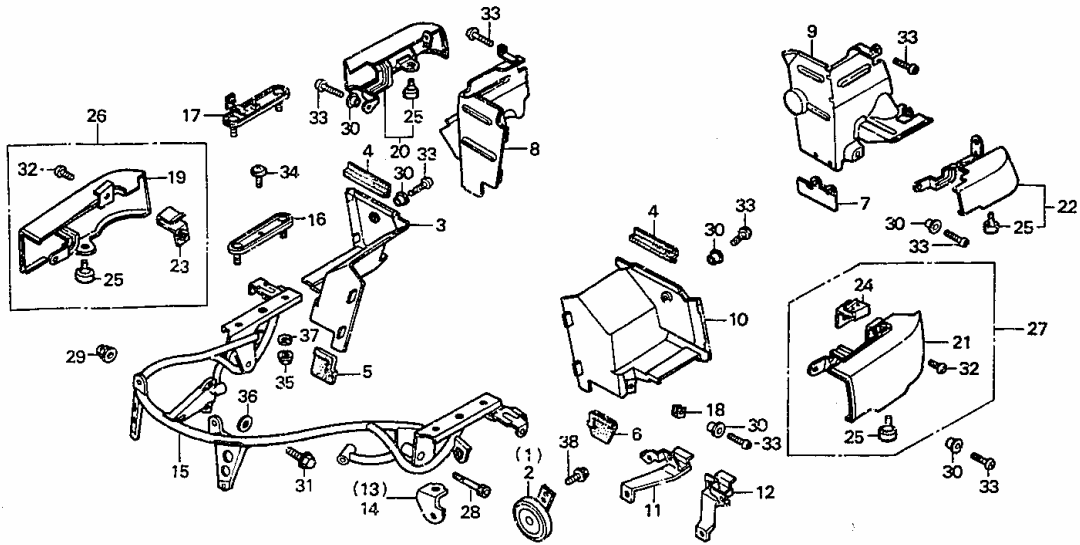
	000	(32t)																
23	23460-ML8-020	Gear comp., Mainshaft fourth (32t)							1	1	1							
23	23460-ML8-600	Gear comp., Mainshaft fourth (32t)											1	1				
24	23461-ML8-600	Bush, 28mm											1	1				
25	23471-MG9-000	Gear, countershaft fourth (32t)	1	1	1	1	1	1										
25	23471-ML8-020	Gear, countershaft fourth (32t)							1	1	1							
25	23471-ML8-600	Gear, countershaft fourth (32t)											1	1				
26	23481-MG9-000	Gear, mainshaft fifth (35t)	1	1	1													To 2401965
26	23481-MG9-010	Gear, mainshaft fifth (35t)	1	1	1													From 2401966
26	23481-MG9-680	Gear, mainshaft fifth (35t)				1	1	1	1	1	1	1	1	1				
27	23485-463-000	Collar, spline, 25	1	1	1	1	1	1	1	1	1	1	1	1				
28	23491-MG9-000	Gear, countershaft fifth (29t)	1	1	1													To 2401965
28	23491-MG9-010	Gear, countershaft fifth (29t)	1	1	1													From 2401966
28	23491-MG9-680	Gear, countershaft fifth (28t)				1	1	1										
28	23491-ML8-020	Gear, countershaft fifth (29t)							1	1	1	1	1					
29	23501-463-000	Gear, final drive (37t)				1	1	1	1	1	1							
29	23501-MB9-780	Gear, final drive (39t)	1	1	1													
29	23501-ML8-600	Gear, finaldrive (41t)											1	1				
30	90202-ML8-600	Nut, hex., 16mm											1	1				
31	90451-422-000	Washer, thrust, 28mm	1	1	1	1	1	1	1	1	1	1						



Nr	Partnr	Description	84 Std	84 Int	84 asp	85 Int	85 asp	85 Ltd	86 Int	86 asp	86 SEi	87 Int	87 asp	Serialnr	Areacode
1	17965-MB0-300	Mark, choke	1	1	1	1	1		1	1		1	1		
2	22880-MG9-006	Cylinder assy., Clutch master	1	1	1							1			
2	22880-MG9-016	Cylinder assy., Clutch master				1	1		1	1					
2	22880-MG9-951	Cylinder assy., Clutch master						1			1		1		
3	22884-MB0-006	Rod, Push	1	1	1	1	1	1	1	1	1	1	1		
4	22885-MB0-006	Bush	1	1	1	1	1	1	1	1	1	1	1		
5	22886-MB4-305	Piston set, clutch master cylinder	1	1	1	1	1	1	1	1	1	1	1		
6	22887-MG9-950	Cover assy., Clutch master cylinder						1			1		1		
7	22891-MG9-003	Hose a, clutch	1	1	1										
7	22891-MG9-013	Hose a, clutch				1	1	1							
7	22891-MG9-013	Hose a, clutch							1					To GA209720	A
7	22891-MG9-	Hose a, clutch							1					To GA207045	AC

	013																		
7	22891-MG9-013	Hose a, clutch								1							To GA210075	A	
7	22891-MG9-013	Hose a, clutch								1							To GA209455	AC	
7	22891-MG9-013	Hose a, clutch									1						To GA210095	A	
7	22891-MG9-013	Hose a, clutch									1						To GA209790	AC	
8	22895-MG9-003	Pipe, clutch	1	1	1														
8	22895-MG9-013	Pipe, clutch				1	1	1											
8	22895-MG9-013	Pipe, clutch							1								To GA209720	A	
8	22895-MG9-013	Pipe, clutch							1								To GA207045	AC	
8	22895-MG9-013	Pipe, clutch								1							To GA210075	A	
8	22895-MG9-013	Pipe, clutch								1							To GA209455	AC	
8	22895-MG9-013	Pipe, clutch									1						To GA210095	A	
8	22895-MG9-013	Pipe, clutch										1					To GA209790	AC	
9	22900-ML8-671	Pipe compl., clutch							1								From GA209721	A	
9	22900-ML8-671	Pipe compl., clutch							1								From GA207046	AC	
9	22900-ML8-671	Pipe compl., clutch								1							From GA210076	A	
9	22900-ML8-671	Pipe compl., clutch								1							From GA209456	AC	
9	22900-ML8-671	Pipe compl., clutch									1						From GA210096	A	
9	22900-ML8-671	Pipe compl., clutch										1					From GA209791	AC	

	961-010																
25	90545-300-000	Washer, oil bolt	4	4	4	4	4	4	4	4	4						
25	46472-568-000	Gasket B, oil bolt										4	4				
26	90651-377-003	Circlip, internal, 18mm (nissin)	1	1	1	1	1	1	1	1	1	1	1				
27	93600-04012-0G	Screw, flat, 4x12	2	2	2	2	2	2	2	2	2	2	2				
28	93893-04012-07	Screw-washer, 4x12							1	1	2						
28	93893-04012-08	Screw-washer, 4x12	1	1	1	1	1	1				1	2				
29	94050-06000	Nut, flange, 6mm	1	1	1				1	1							
29	90201-415-000	Nut, cap, 6mm				1	1	1				1	1	1			

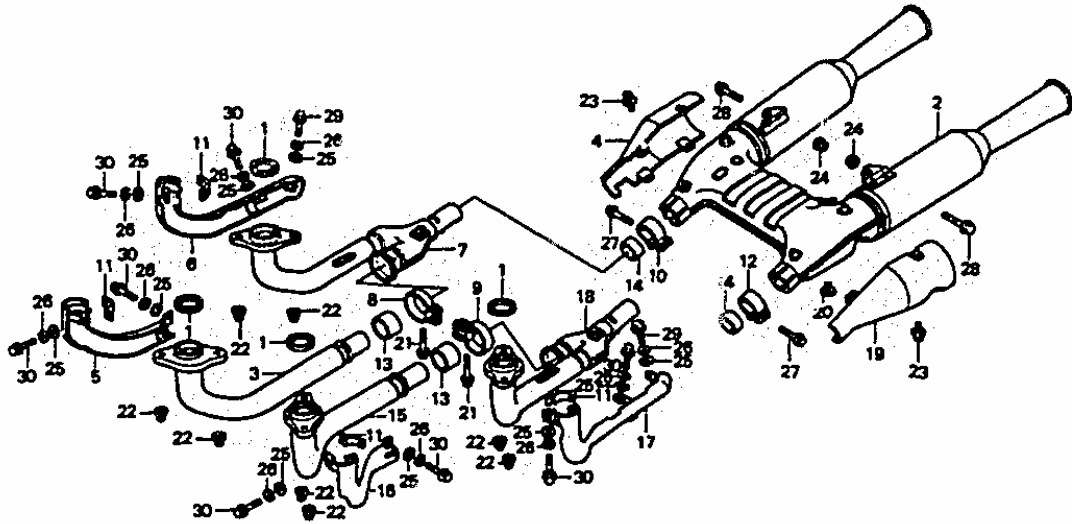


Nr	Partnr	Description	84 Std	84 Int	84 asp	85 Int	85 asp	85 Ltd	86 Int	86 asp	86 SEi	87 Int	87 asp	Serialnr	Areacode
1	38110-MC8-000	Horn comp. (high)		1	1	1	1		1			1			A,AC,CM,U
1	38110-MC8-620	Horn comp. (high)		1	1	1	1								E,ED,F,G,IT,SD,SW
1	38110-MG9-951	Horn comp. (high)						1							
1	38110-ML8-751	Horn comp. (high)									1		1		
1	38110-ML8-771	Horn comp. (high)								1					
2	38120-MG9-771	Horn comp. (low)		1	1	1	1		1				1		
2	38120-MC5-631	Horn comp. (low)						1							
2	38120-ML8-751	Horn comp. (low)									1		1		
2	38120-ML8-771	Horn comp. (low)								1					
3	64288-MG9-770	Cover, R. Under cowl inner		1	1	1	1		1	1					
3	64288-MG9-770ZA	Cover, R. Under cowl inner *r58l*/type1											1		
4	64292-MG9-	Rubber, seal		2	2	2	2		2	2					

	007																		
7	62501-MG9-770	Guard, R. Engine	1	1	1														CM,ED,F,G,SD,U
7	62501-MG9-770	Guard, R. Engine	1	1		1													E
7	62501-MG9-770	Guard, R. Engine	1	1	1	1													SW
7	62501-MG9-771	Guard, R. Engine				1	1	1	1	1	1	1	1	1					A,AC,CM,IT
7	62501-MG9-771	Guard, R. Engine				1													E
8	62502-463-770	Band, engine guard	1	1	1	1	1	1	1	1	1	1	1	1					
9	62503-463-770	Bolt, engine guard setting	2	2	2	2	2	2	2	2	2	2	2	2					
10	62601-MG9-770	Guard, L. Engine	1	1	1	1	1												
10	62601-ML8-000	Guard, L. Engine							1	1	1	1	1						
11	64216-GJ2-730	Rubber, screen setting						3											
12	64318-MG9-950	Stay, R. Under cowl side						1			1								
12	64318-ML8-700	Stay, R. Under cowl side															1		
13	64319-MG9-950	Stay, L. Under cowl side .						1			1								
13	64319-ML8-700	Stay, L. Under cowl side .															1		
14	80107-MG9-950	Stay, (e.c.u)						1			1								
15	80207-MG9-950	Sub box, electric control unit						1			1								
16	81235-463-770	Band a, RR. Bumper	2	2	2	2	2	2	2	2	2	2	2	2					
17	81236-463-770	Band b, RR. Bumper	2	2	2	2	2	2	2	2	2	2	2	2					

18	81237-MG9-770	Pipe, RR. Joint		1	1	1	1	1	1	1	1	1		
19	84101-MG9-710	Rack comp., RR.		1		1								G
19	84101-MG9-770	Stay comp., RR. Trunk		1	1	1	1							CM,E,ED,F,IT,SD,SW,U
19	84101-MG9-771	Stay comp., RR. Trunk						1	1		1	1		
19	84101-MG9-950	Stay comp., RR. Trunk					1			1				
20	84102-MG9-950	Rubber, RR. Grip					2			2				
21	84103-MG9-770	Rubber, trunk stay		2	2	2	2							
22	84104-MG9-770	Cover, RR. Trunk stay		1	1	1	1							CM,E,ED,F,IT,SD,SW,U
22	84104-ML8-670	Cover, RR. Trunk stay						1			1			
22	84104-ML8-770	Cover, RR. Trunk stay							1			1		
23	84104-MG9-950	Cover, RR. Trunk stay					1							
23	84104-ML8-750	Cover, RR. Trunk stay								1				
24	84105-MG9-950	Plate, grip setting					2			2				
25	84250-MG9-770	Stay comp., R. Saddlebag		1	1	1	1	1	1	1	1	1	1	
26	84350-MG9-770	Stay comp., L. Saddlebag		1	1	1	1	1	1	1	1	1	1	
27	87511-323-670	Label, helmet holder		1	1	1	1	1	1	1	1	1	1	A,AC,CM,E,ED,G,IT,SD,SW,U
27	87511-415-620	Label, helmet holder (french)		1	1	1	1	1						CM,F
28	90107-449-000	Bolt, helmet holder setting		2	2	2	2	2	4	4	4	4	4	

29	90109- MG9- 770	Bolt, flange, 8x15		2	2	2	2	2	2			2			
30	90310- 463- 770	Nut, RR. Cushion setting		2	2	2	2	2	2	2	2	2	2		
31	90501- 425- 000	Collar, 6.2x.12						3				3			
32	90527- 230- 000	Washer, plain, 10.3mm		2	2	2	2	2	2	2	2	2	2		
33	91457- MG9- 770	Cap, blind		4	4	4	4	4							
34	93600- 04012- 0A	Screw, flat, 4x12						4				4			
35	94050- 06000	Nut, flange, 6mm		6	6	6	6	8	6	6	8	6	6		
36	94101- 12000	Washer, plain, 12mm		1	1	1	1	1							
36	94111- 10000	Washer, spring, 8mm							1	1	1	1	1		
37	94103- 08000	Washer, plain, 8mm		2	2	2	2	2	2			2			
38	95700- 06012- 00	Bolt, flange, 6x12		2	2	2	2	2							
39	95700- 06016- 00	Bolt, flange, 6x16		4	4	4	4	4	4	4	4	4	4		
40	95700- 08016- 00	Bolt, flange, 8x16		4	4	4	4	4	4	4	4	4	4		
41	96000- 06014- 02	Bolt, flange, 6x14		(2)	2	(2)	2	2							CM,E,ED,F, SD,SW,U
41	96000- 06014- 02	Bolt, flange, 6x14				(2)									IT
41	96600- 06016- 00	Bolt, socket, 6x16						(2)	(2)	2	2	(2)	2		
42	96000- 06022- 02	Bolt, flange, 6x22						1				1			
	94021- 10200- 0S	Nut, cap, 10mm							1	1	1	1	1		



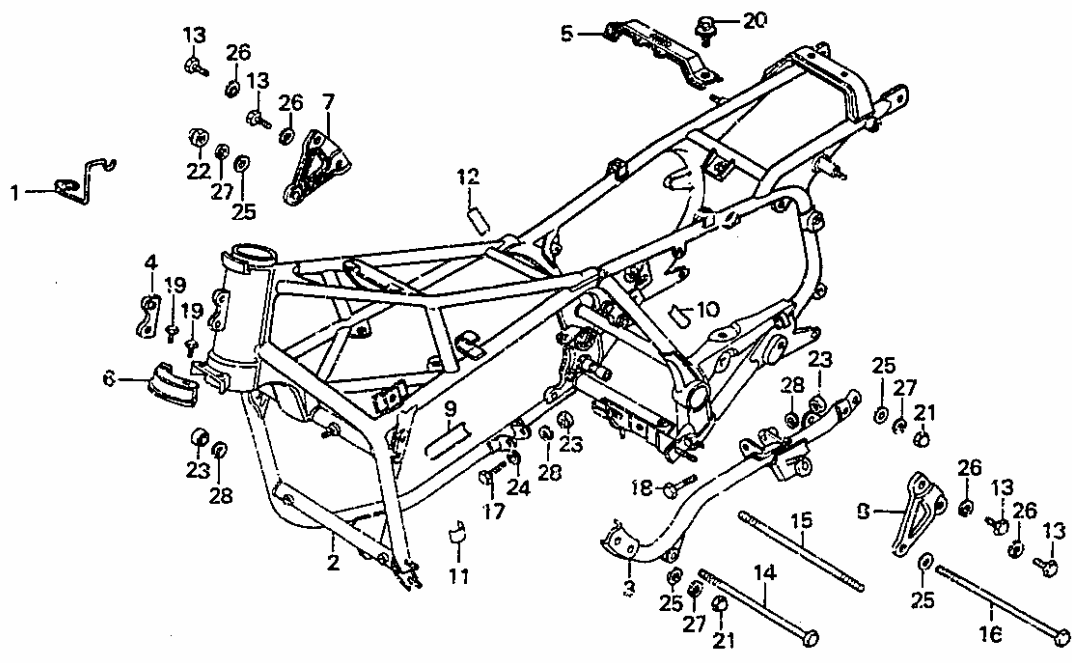
Nr	Partnr	Description	84 Std	84 Int	84 asp	85 Int	85 asp	85 Ltd	86 Int	86 asp	86 SEi	87 Int	87 asp	Serialnr	Areacode
1	18291-286-000	Gasket, ex. Pipe	4	4	4	4	4	4	4	4	4	4	4		
2	18300-MG9-661	Muffler comp., Ex.	1												
2	18300-ML8-671	Muffler comp., Ex.							1	1		1	1		
2	18300-MG9-701	Muffler comp., Ex.		1	1	1	1								
2	18300-ML8-751	Muffler comp., Ex.									1				
2	18300-MG9-981	Muffler comp., Ex.						1							
3	18320-ML8-003	Pipe, R. Ex							1	1	1	1	1		
4	18325-MG9-003	Protector, R. Chamber	1	1	1	1	1	1	1	1	1	1	1		
5	18325-ML8-003	Protector, R. FR. Ex. Pipe							1	1	1	1	1		
6	18326-ML8-003	Protector, R. RR. Ex.							1	1	1	1	1		
7	18370-ML8-003	Pipe, R. RR. Ex							1	1	1	1	1		
8	18373-ML8-003	Band, R. Ex. Pipe							1	1	1	1	1		

9	18374-ML8-003	Band, L. Ex. Pipe							1	1	1	1	1		
10	18376-ME9-003	Band, R. Muffler	1	1	1	1	1	1							CM,ED,F,G,U
10	18376-ME9-003	Band, R. Muffler		1	1										E,SW
10	18376-MB4-003	Band, R. Muffler				1		1	1	1	1	1	1		A,AC,CM,ED,G,SD
10	18376-MB4-003	Band, R. Muffler				1	1								E,IT,SW
11	18376-ML8-003	Band B, protector							1					To GA207045	A
11	18376-ML8-003	Band B, protector							1					To GA207025	AC
11	18376-ML8-003	Band B, protector								1				To GA206985	A
11	18376-ML8-003	Band B, protector								1				To GA207090	AC
11	18376-ML8-003	Band B, protector									1			To GA207340	A
11	18376-ML8-003	Band B, protector									1			To GA207015	AC
11	18376-ML8-013	Band B, protector							1					From GA207046	A
11	18376-ML8-013	Band B, protector							1					From GA207026	AC
11	18376-ML8-013	Band B, protector								1				From GA206986	A
11	18376-ML8-013	Band B, protector								1				From GA207091	AC
11	18376-ML8-013	Band B, protector									1			From GA207341	A
11	18376-ML8-013	Band B, protector									1			From GA207016	AC
11	18376-ML8-013	Band B, protector										1	1		
12	18377-	Band, L.	1	1	1	1	1	1							CM,ED,F,G,U

	ME9-003	Muffler															
12	18377-ME9-003	Band, L. Muffler		1	1												E,SW
12	18377-MB4-003	Band, L. Muffler				1		1	1	1	1	1	1				A,AC,CM,ED,G,SD
12	18377-MB4-003	Band, L. Muffler				1	1										E,IT,SW
13	18391-429-000	Packing, muffler	2	2	2	2	2	2									CM,ED,F,G,U
13	18391-429-000	Packing, muffler		2	2												E,SW
13	18391-ML8-000	Packing, muffler							2	2	2	2	2				
13	18392-449-000	Packing, muffler				2		2									CM,ED,G,SD
13	18392-449-000	Packing, muffler				2	2										E,IT,SW
14	18392-MJ4-670	Packing, RR. Muffler							2	2	2						
14	18392-ML8-600	Packing, muffler										2	2				
15	18420-ML8-003	Pipe, L. Ex.							1	1	1	1	1				
16	18425-ML8-003	Protector, L. FR. Ex.							1	1	1	1	1				
17	18426-ML8-003	Protector, L. RR. Ex.							1	1	1	1	1				
18	18470-ML8-003	Pipe, L. RR. Ex.							1	1	1	1	1				
19	18475-MG9-003	Protector, L. Chamber	1	1	1	1	1	1	1	1	1	1	1	1			
20	50524-MG9-000	Rubber, stand stopper	1	1	1	1	1	1	1	1	1	1	1	1			
21	90118-MB4-000	Bolt, flange, 8x37							2						To GA210225		A
21	90118-MB4-	Bolt, flange, 8x37							2						To GA210510		AC

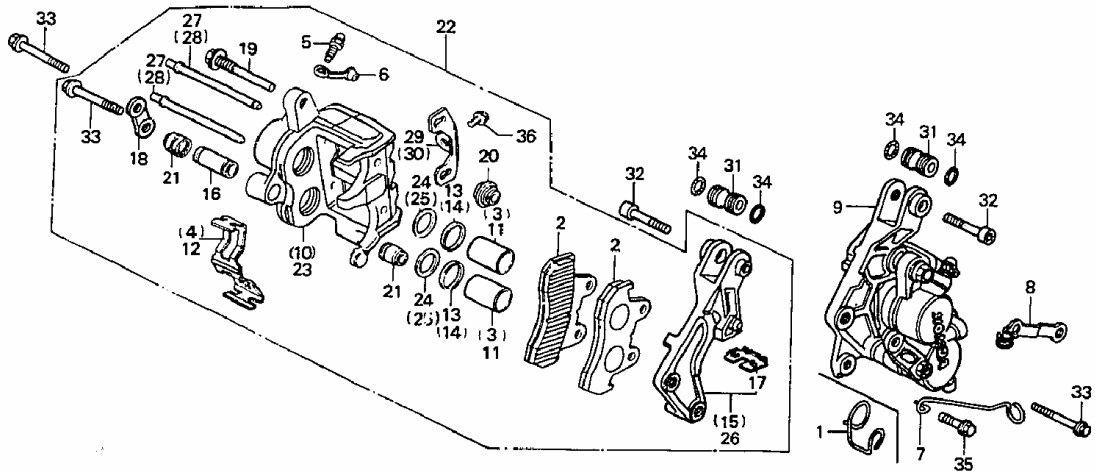
	000																		
21	90118-MB4-000	Bolt, flange, 8x37								2								To GA209830	A
21	90118-MB4-000	Bolt, flange, 8x37								2								To GA212269	AC
21	90118-MB4-000	Bolt, flange, 8x37									2							To GA209875	A
21	90118-MB4-000	Bolt, flange, 8x37										2						To GA212400	AC
21	90118-471-000	Bolt, flange, 8x37								2								From GA210226	A
21	90118-471-000	Bolt, flange, 8x37								2								From GA210511	AC
21	90118-471-000	Bolt, flange, 8x37									2							From GA209831	A
21	90118-471-000	Bolt, flange, 8x37										2						From GA212270	AC
21	90118-471-000	Bolt, flange, 8x37											2					From GA209876	A
21	90118-471-000	Bolt, flange, 8x37												2				From GA212401	AC
21	90118-471-000	Bolt, flange, 8x37													2	2			
22	90304-ME1-670	Nut, cap, 8mm								8								To GA220067	A
22	90304-ME1-670	Nut, cap, 8mm									8							To GA220034	A
22	90304-ME1-670	Nut, cap, 8mm										8						To GA220057	A
22	90304-ME1-670	Nut, cap, 8mm								8	8	8							AC
22	90304-ML8-000	Nut-washer, 8mm								8								From GA220068	A
22	90304-ML8-000	Nut-washer, 8mm									8							From GA220035	A
22	90304-ML8-000	Nut-washer, 8mm										8						From GA220058	A

22	90304-ML8-000	Nut-washer, 8mm										8	8		
22	94070-08080	Nut-washer, 8mm	8	8	8	8	8	8							
23	93893-06010-00	Screw-washer, 6x10	8	8	8	8	8	8	8	8	8	8	8		
24	94050-10000	Nut, flange, 10mm	2	2	2	2	2	2	2	2	2	2	2		
25	94101-06000	Washer, plain, 6mm							10	10	10	10	10		
26	94111-06000	Washer, spring, 6mm							10	10	10	10	10		
27	95700-08035-00	Bolt, flange, 8x35	4	4	4	4	4	4	4	4	4	4	4		
28	95700-10035-00	Bolt, flange, 10x35	2	2		2			2	2	2	2	2		
28	90116-MG9-870	Bolt, socket. 10x45			2		2	2							
29	96001-06010-00	Bolt, flange, 6x10							2	2	2	2	2		
30	96001-06014-00	Bolt, flange, 6x14							8	8	8	8	8		
	18350-MG9-003	Pipe comp., R. Ex.	1	1	1	1	1	1							CM,E,ED,F,G,IT,SD,U
	18350-MG9-901	Pipe comp., R. Ex.		1	1	1	1								SW
	18450-MG9-003	Pipe comp., L. Ex.	1	1	1	1	1	1							CM,E,ED,F,G,IT,SD,U
	18450-MG9-901	Pipe comp., L. Ex.		1	1	1	1								SW



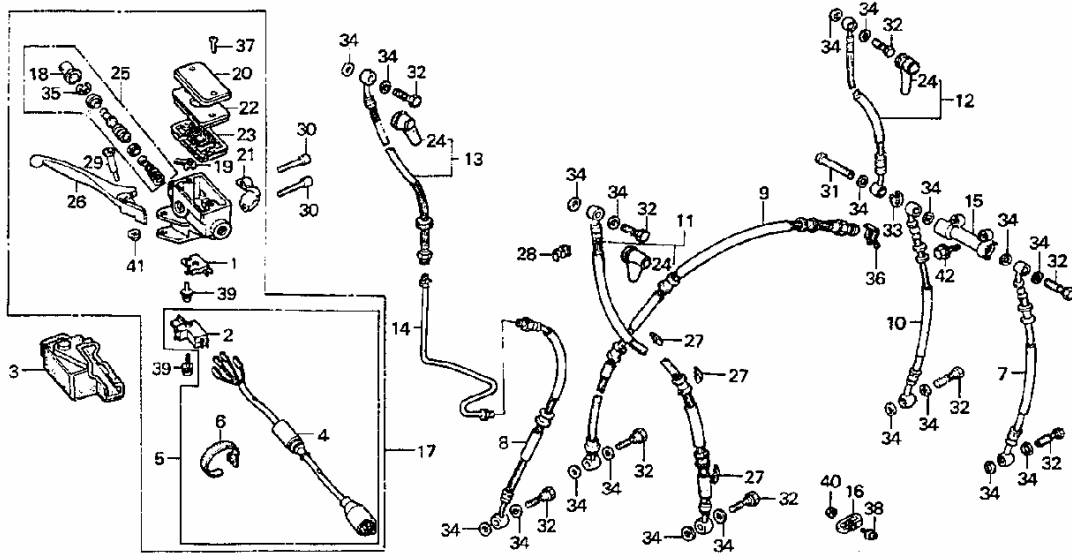
Nr	Partnr	Description	84 Std	84 Int	84 asp	85 Int	85 asp	85 Ltd	86 Int	86 asp	86 SEi	87 Int	87 asp	Serialnr	Areacode
1	17925-MG9-770	Guide, throttle cable		1	1	1	1		1	1		1			
1	17925-MG9-950	Guide, throttle cable						1					1		
2	50100-MG9-671ZA	Body comp., Frame *nh1*	1	1	1										CM,E,F,SW,U
2	50100-MG9-680	Body comp., Frame				1	1								CM,E,SD,SW
2	50100-MG9-680	Body comp., Frame				1									IT
2	50100-MG9-690	Body comp., Frame				1									ED,G
2	50100-MG9-690	Body comp., Frame					1								IT
2	50100-MG9-710ZA	Body comp., Frame *nh1*		1	1										ED,G
2	50100-MG9-950	Body comp., Frame						1							
2	50100-ML8-000ZA	Body comp., Frame *nh1*							1	1					
2	50100-	Body comp.,										1			

	670	caution															
10	87504-463-720	Mark, muffler caution (french)	1	1	1	1	1	1									CM
11	87509-371-670	Label, shroud fan	1	1	1	1	1	1	1	1	1	1	1				A,AC,CM,E,ED,G,IT,SD,SW,U
11	87509-431-620	Label, shroud fan (french)	1	1	1	1	1	1									CM,F
12	87590-MG9-730	Label, stationary noise		1	1	1	1										ED,IT
13	90101-371-980	Bolt, seat back adjusting	4	4	4	4	4	4	4	4	4	4	4				
14	90152-371-000	Bolt, FR. Engine hanger	1														
15	90152-463-770	Bolt, FR. Engine hanger		1	1												
15	90152-MG9-680	Bolt, FR. Engine hanger				1	1	1	1	1	1	1	1				
16	90153-371-000	Bolt, engine upper hanger	1	1	1	1	1	1	1	1	1	1	1				
17	92200-12065-0A	Bolt, hex., 12x65	1	1	1	1	1	1	1	1	1	1	1				
18	92200-12080-0A	Bolt, hex., 12x80	1	1	1	1	1	1	1	1	1	1	1				
19	93000-04006-0G	Bolt, hex., 4x6	2	2	2	2	2	2	2	2	2	2	2				
20	93482-08012-08	Bolt, washer, 8x12	2	2	2	2	2	2	2	2	2	2	2				
21	94021-10200-0S	Nut, cap, 10mm	3	3	3	3	3	3	3	3	3	3	3				
22	94021-10220-0S	Nut, cap, 10mm	1	1	1	1	1	1	1	1	1	1	1				
23	94030-12200	Nut, hex., 12mm	3	3	3	3	3	3	3	3	3	3	3				
24	94101-12000	Washer, plain, 12mm	1	1	1	1	1	1	3	3	3	3	3				
25	94102-10000	Washer, plain, 10mm	5	5	5	5	5	5	5	5	5	5	5				
26	94111-08000	Washer, spring, 8mm	4	4	4	4	4	4	4	4	4	4	4				



Nr	Partnr	Description	84	84	84	85	85	85	86	86	86	87	87	Serialnr	Areacode
			Std	Int	asp	Int	asp	Ltd	Int	asp	SEi	Int	asp		
0	431A0-MB4-306	Brake pad kit	2	2	2	2	2	2	2	2	2	2	2		
1	37801-MB0-000	Clamp, speedometer sensor cord			1										
2	43105-MB4-007	Pad comp., RR. (ask)	4	4	4	4	4	4	4	4	4	4			
3	43107-MA7-006	Piston	2	2	2	2	2	2	2	2	2	2			
4	45108-MA2-006	Spring, pad	1	1	1	1	1	1	1	1	1	1			
5	43352-568-003	Screw, bleeder	2	2	2	2	2	2	2	2					
5	43352-MG9-006	Screw, bleeder										2	2		
6	43353-461-771	Cap, bleeder	2	2	2	2	2	2	2	2	2	2			
7	44832-MB9-780	Clamp, speedometer cable	1	1		1			1			1			
8	44832-MG9-930	Clamp, speedometer cable					1	1							
8	44832-ML8-670	Clamp, speedometer cable								1	1		1		
9	45100-MG9-305	Caliper, assy., L. FR.	1												
9	45100-MG9-771	Caliper, assy., L. FR.(ask)		1		1			1						

9	45100-MG9-772	Caliper, assy., L. FR.(ask)										1					
9	45100-MG9-871	Caliper, assy., L. FR.			1		1	1			1	1		1			
10	45101-MG9-305	Caliper, compl., L.	1														
10	45101-MG9-771	Caliper, compl., L.		1	1	1	1	1	1	1	1	1	1	1			
13	45109-GE2-006	Dust seal	2	2	2	2	2	2	2	2	2	2	2	2			
15	45110-MG9-006	Bracket comp., L. FR.	1	1		1				1			1				
15	45110-MG9-871	Bracket comp., L. FR.			1		1	1			1	1		1			
16	45111-MA3-006	Sleeve	2	2	2	2	2	2	2	2	2	2	2	2			
17	46112-445-631	Retainer, bracket	2	2		2				2			2				
17	45112-MB9-871	Retainer, FR. Bracket			2		2	2			2	2		2			
18	45113-MG9-000	Bridge, caliper bracket	2	2		2				2			2				
18	45113-MB7-610	Bridge, caliper bracket			2		2	2			2	2		2			
19	45131-MA3-006	Bolt, pin	2	2	2	2	2	2	2	2	2	2	2	2			
20	45133-MA3-006	Boot (b)	2	2	2	2	2	2	2	2	2	2	2	2			
21	45133-166-016	Boot, pin	4	4	4	4	4	4	4	4	4	4	4	4			
22	45200-MG9-007	Caliper assy., R. FR.								1							
22	45200-MG9-305	Caliper assy., R. FR.	1	1		1							1				CM,E,ED,F, IT,SD,SW
22	45200-MG9-711	Caliper assy., R. FR.		1		1											G
22	45200-MG9-871	Caliper assy., R. FR. (ask)			1		1	1			1	1					
22	45200-	Caliper assy.,												1			



Nr	Partnr	Description	84	84	84	85	85	85	86	86	86	87	87	Serialnr	Areacode
			Std	Int	asp	Int	asp	Ltd	Int	asp	SEi	Int	asp		
1	35340-MA5-671	Switch assy., FR. Stop	1	1	1	1	1		1	1		1			
1	35340-MG9-305	Switch assy., FR. Stop										1	1		
2	35340-MG9-951	Switch assy., FR. Stop & cruise						1			1	1			
3	35342-MG9-950	Cover, FR. Stop & cruise switch						1			1	1			
4	35344-ML8-700	Sub cord, FR. Stop switch											1		
4	35344-MG9-950	Sub cord, FR. Stop switch						1			1				
5	35345-ML8-700	Cord comp., FR. Stop switch											1		
5	35345-MG9-950	Cord comp., FR. Stop switch						1			1				
6	35701-MG9-950	Band						1			1	1			
7	45124-MG9-711	Hose, L. FR. Brake		1											
7	45124-MG9-712	Hose, L. FR. Brake													
8	45124-MG9-	Hose a, FR. Brake		1	1										CM,E,ED,F, SW,U

	771																
8	45124-MG9-772	Hose a, FR. Brake				1	1	1	1	1	1	1	1				CM,E,ED,IT,SD,SW
9	45125-ML8-671	Hose a, FR. Brake								1	1	1	1	1			
9	45125-MG9-003	Hose a, FR. Brake	1	1	1												CM,E,ED,F,SW,U
9	45125-MG9-013	Hose a, FR. Brake				1	1	1									CM,E,ED,IT,SD,SW
10	45125-MG9-711	Hose, R. FR. Brake		1													G
10	45125-MG9-712	Hose, R. FR. Brake				1											G
11	45126-MG9-003	Hose b, FR. Brake	1														
12	45126-MG9-711	Hose b, FR. Brake		1													
12	45126-MG9-712	Hose b, FR. Brake				1											G
13	45126-MG9-771	Hose b, FR. Brake		1	1												CM,E,ED,F,SW,U
13	45126-MG9-772	Hose b, FR. Brake				1	1	1	1	1	1	1	1	1			CM,E,ED,IT,SD,SW
14	45127-MG9-770	Pipe, FR. Brake (c)	1	1	1	1	1		1	1	1	1	1	1			CM,E,ED,F,IT,SD,SW,U
15	45127-422-003	Joint, two way		1		1											G
16	45128-463-000	Clamp, brake hose	1	1													
17	45500-MG9-006	Cylinder assy., FR. Brake master	1														
17	45500-MG9-711	Cylinder assy., FR. Brake master		1		1											G
17	45500-MG9-771	Cylinder assy., FR. Brake master		1	1	1	1		1	1							
17	45500-MG9-772	Cylinder assy., FR. Brake master												1			
17	45500-MG9-	Cylinder assy., FR. Master						1				1					

	951																
17	45500-ML8-701	Cylinder assy., FR. Brake															1
18	45504-410-003	Boot comp.	1	1	1	1	1	1	1	1	1	1	1	1			
19	45512-MA6-006	Protector	1	1	1	1	1	1	1	1	1	1	1	1			
20	45513-MB4-672	Cap, master cylinder	1	1	1												
20	45513-MB4-673	Cap, master cylinder				1	1	1	1	1	1	1	1	1			
21	45517-MB0-006	Holder, master cylinder	1	1	1	1	1	1	1	1	1	1	1	1			
22	45518-MB4-671	Plate, diaphragm	1	1	1	1	1	1	1	1	1	1	1	1			
23	45520-MA5-672	Diaphragm	1	1	1	1	1	1	1	1	1	1	1	1			
24	45522-422-000	Boot, master cylinder	1	1	1	1	1	1	1	1	1	1	1	1			
25	45530-MA4-671	Cylinder set, master	1														
25	45530-MA5-671	Cylinder set, master		1		1											G
25	45530-471-831	Cylinder set, master		1	1	1	1	1	1	1			1	1			
25	45530-MG9-950	Cylinder set, master										1					
26	53175-MA6-006	Lever comp., R. Steering handle	1	1	1	1	1	1									
26	53175-MA6-016	Lever comp., R. Steering handle							1	1	1	1	1				
27	61108-MB0-000	Clamp, speedometer sensor cord	1	1	4	1	4	4		3	3		3				
28	61109-MG9-870	Clamp, speedometer sensor cord			1		1	1		1	1		1				
29	90114-MA5-671	Bolt, R. Steering handle lever pivot	1	1	1	1	1		1	1			1				
29	90114-MG9-951	Bolt, handle lever						1				1		1			

30	90117-MB0-000	Bolt, socket, 6x23	2	2	2	2	2	2	2	2	2	2	2		
31	90145-MB0-000	Bolt, oil, 10x34		1											G
31	90145-MB0-010	Bolt, oil, 10x34				1									G
32	90145-961-000	Bolt, oil, 10x22	3	3	3										CM,E,ED,F,SW,U
32	90145-961-000	Bolt, oil, 10x22		4											G
32	90145-961-010	Bolt, oil, 10x22				3	3	3	3	3	3				CM,E,ED,IT,SD,SW
32	90145-961-010	Bolt, oil, 10x22				4									G
32	90145-KM3-750	Bolt, oil, 10x22										3	3		
33	90545-MG9-710	Washer, oil bolt		1		1									G
34	90545-300-000	Washer, oil bolt	6	6	6	6	6	6	6	6	6				CM,E,ED,F,IT,SD,SW,U
34	90545-300-000	Washer, oil bolt				10									G
35	90651-MA5-671	Circlip	1	1	1	1	1	1	1	1	1	1	1		
36	90651-538-000	Clip, brake hose	1	1	1	1	1	1	1	1	1	1	1		CM,E,ED,F,IT,SD,SW,U
37	93600-04012-0G	Screw, flat, 4x12	2	2	2	2	2	2	2	2	2	2	2		
38	93891-04016-00	Screw-washer, 4x16	1	1											
39	93893-04012-08	Screw-washer, 4x12	1	1	1	1	1	1	1	1	1	1	1		
40	94002-04000-0S	Nut, hex., 4mm	1	1											
41	94050-06000	Nut, flange, 6mm	1	1	1										
41	90201-415-000	Nut, cap, 6mm				1	1	1	1	1	1	1	1		
42	95900-06020-08	Bolt, flange, 6x20		2		2									G
	46472-568-000	Gasket B, oil bolt										6	6		

	MG9-671	FR. Cushion														
3	51401-MG9-771	Spring a, FR. Cushion		2	2	2	2	2	2	2	2	2	2			
4	51402-MB7-611	Spring, oil lock	2	2	2	2	2	2	2	2	2	2	2			
5	51403-MB7-611	Valve, oil lock	2	2	2	2	2	2	2	2	2	2	2			
6	51404-MB4-003	Plate, spring joint		2	2	2	2		2	2			2	2		
7	51404-MB7-611	Seat, Spring	2	2	2	2	2	2	2	2	2	2	2			
8	51404-MG9-771	Spring b, FR. Cushion		2	2	2	2		2	2			2	2		
8	51402-MG9-951	Spring b, FR. Cushion						2			2					
9	51405-MB4-003	Ring, stopper	2	2	2	2	2	2	2	2	2	2	2			
10	51405-MB7-611	Ring, Stopper	4	4	4	4	4	4	4	4	4	4	4			
11	51405-MG9-951	Filter comp FR.						2			2					
12	51406-MB1-771	Ring, stopper	2	2	2	2	2	2								
13	51410-MG9-671	Pipe comp., FR. Fork	2	2	2	2	2	2								
13	51410-MG9-671	Pipe comp., FR. Fork							2					To GA211495		A
13	51410-MG9-671	Pipe comp., FR. Fork							2					To GA217800		AC
13	51410-MG9-671	Pipe comp., FR. Fork								2				To GA211530		A
13	51410-MG9-671	Pipe comp., FR. Fork								2				To GA212270		AC
13	51410-MG9-671	Pipe comp., FR. Fork									2			To GA211486		A
13	51410-MG9-	Pipe comp., FR.									2			To GA212400		AC

22	51430-MG9-671	Case comp., R. Piston	1	1	1	1	1	1	1	1	1	1		
23	51433-MB1-771	Rod, adjusting	2	2	2	2	2	2	2	2	2	2		
24	51434-MC7-003	Spring, click	2	2	2	2	2	2	2	2	2	2		
25	51435-MC7-003	Washer, special, 5mm	2	2	2	2	2	2	2	2	2	2		
26	51436-KE7-003	Piston	2	2	2	2	2	2	2	2	2	2		
27	51437-MB4-003	Ring, piston	4	4	4	4	4	4	4	6	4	4		
28	51438-MB4-003	Holder, grease	2	2	2									
29	51439-MB4-003	Washer, holder	2	2	2									
30	51441-MC7-003	Rubber, stopper	2	2	2	2	2	2	2	2	2	2		
31	51442-MC7-003	Boot, piston case	4	4	4	4	4	4	4	4	4	4		
32	51444-MB1-771	Washer, L. Side	2	2	2	2	2	2	2	2	2	2		
33	51445-MC7-003	Holder, boot	4	4	4	4	4	4	4	4	4	4		
34	51447-MB4-003	Circlip, internal	2	2	2	2	2	2	2	2	2	2		
35	51448-MB1-771	Pin, parallel	2	2	2	2	2	2	2	2	2	2		
36	51455-MB4-003	Bolt, FR. Fork	2	2	2	2	2			2				
36	51455-MB4-003	Bolt, FR. Fork							2				To HA300105	A
36	51455-MB4-003	Bolt, FR. Fork							2				To HA306400	AC
36	51455-MB4-003	Bolt, FR. Fork								2			To HA300100	A
36	51455-	Bolt, FR.								2			To	AC

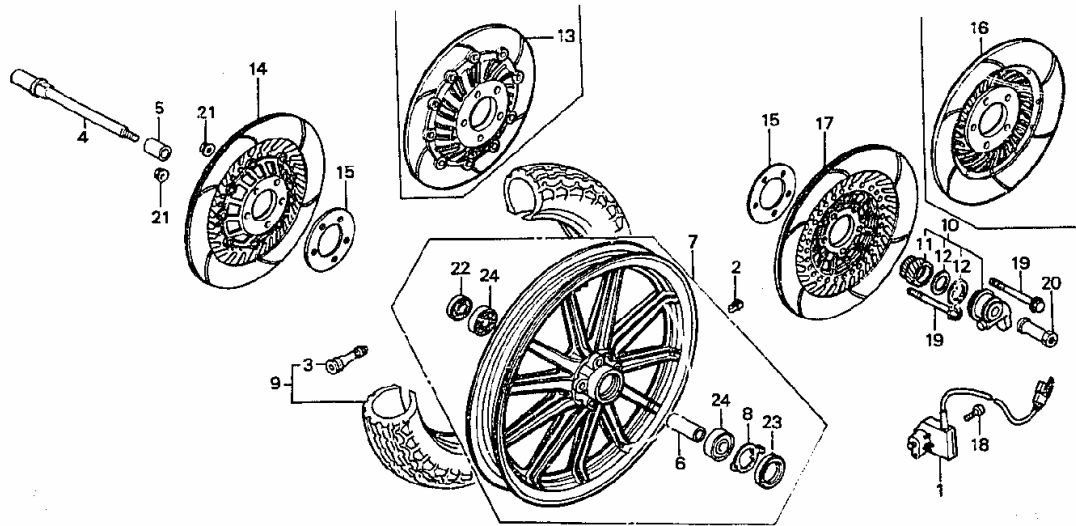
	MB4-003	Fork													HA300102	
36	51455-MG9-771	Bolt, FR. Fork							2	2	2	2	2			
37	51456-469-013	Valve comp., Air (showa)	1	1	1	1	1	1	1	1	1	1	1			
38	51457-469-000	Cap assy., Air valve	1	1	1											
38	52425-381-771	Cap, air valve				1	1	1	1	1	1	1	1			
39	51490-MB4-305	Seal set, FR. Fork	2	2	2											
39	51490-MB4-315	Seal set, FR. Fork				2	2	2	2	2	2	2	2			
40	51496-MC7-670	Mark, FR. Fork	2	2	2	2	2		2	2			2	2		
41	51496-MG9-950	Emblem, FR. Fork						2			2					
42	51500-MG9-671	Fork assy., L. FR.	1													
42	51500-MG9-771	Fork assy., L. FR.		1	1											
42	51500-MG9-772	Fork assy., L. FR.				1	1									
42	51500-MG9-772	Fork assy., L. FR.							1					To GA211495	A	
42	51500-MG9-772	Fork assy., L. FR.							1					To GA217800	AC	
42	51500-MG9-772	Fork assy., L. FR.								1				To GA211539	A	
42	51500-MG9-772	Fork assy., L. FR.								1				To GA212270	AC	
42	51500-MG9-773	Fork assy., L. FR.							1	1		1	1			
42	51500-MG9-951	Fork assy., L. FR.					1									
42	51500-MG9-	Fork assy., L. FR.								1				To GA211486	A	

	951																	
42	51500-MG9-951	Fork assy., L. FR.									1						To GA212400	AC
42	51500-MG9-952	Fork assy., L. FR.									1							
43	51521-MG9-671	Case comp., L. Bottom	1	1	1	1	1	1	1	1	1	1	1	1				
44	51530-MG9-671	Case comp., L. Piston	1	1	1	1	1	1	1	1	1	1	1	1				
45	51532-MB2-300	Bush, pivot	2	2	2	2	2	2									To GA210225	A
45	51532-MB2-300	Bush, pivot							2								To GA210510	AC
45	51532-MB2-300	Bush, pivot							2								To GA210130	A
45	51532-MB2-300	Bush, pivot								2							To GA212270	AC
45	51532-MB2-300	Bush, pivot								2							To GA210975	A
45	51532-MB2-300	Bush, pivot									2						To GA212400	AC
45	51532-MB2-300	Bush, pivot									2							
45	51532-MB6-631	Bush, pivot							2	2	2	2	2					
46	51532-MB4-003	Piece b, oil lock	2	2	2	2	2	2	2	2	2	2	2	2				
47	51540-MG9-670	Pipe b, seat	2	2	2													
47	51540-MG9-671	Pipe b, seat				2	2	2	2	2	2	2	2	2				
48	51634-MB9-781	Holder, axle	2	2	2	2	2	2	2	2	2	2	2	2				
49	53134-MG5-671	Sleeve	2	2	2	2	2	2	2	2	2	2	2	2				
50	53135-MG5-671	Bolt, hex.	2	2	2	2	2	2	2	2	2	2	2	2				

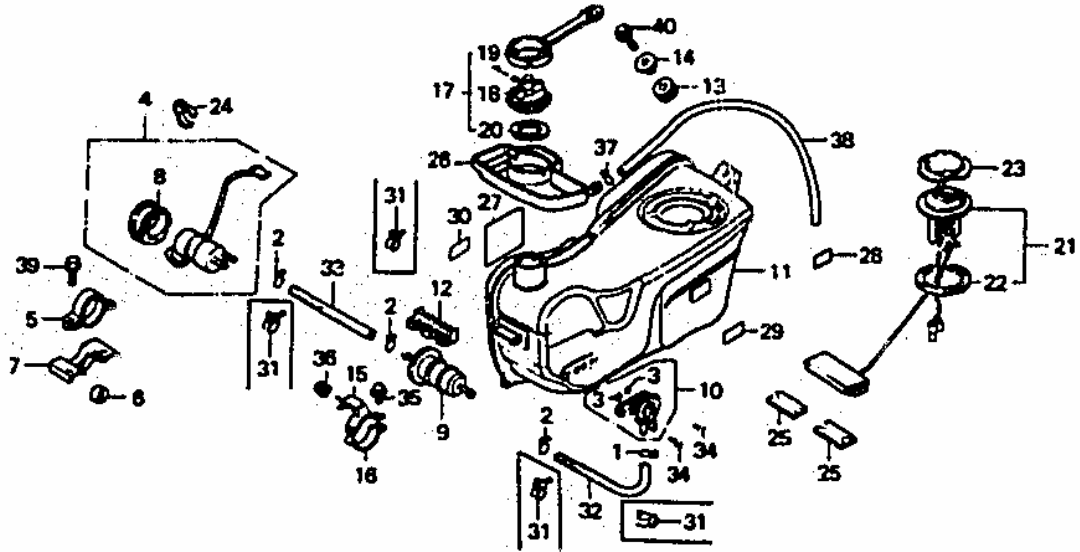
51	53136-MG9-003	Pipe	1	1	1	1	1	1	1	1	1	1	1		
52	53137-MG9-003	Equalizer assy., FR. Fork	1	1	1	1	1		1	1			1	1	
52	53137-MG9-951	Equalizer assy., FR. Fork							1				1		
53	53138-MG9-003	Joint, R. Air	1	1	1	1	1	1	1	1	1	1	1	1	
54	53139-MG9-003	Joint, L. Air	1	1	1	1	1	1	1	1	1	1	1	1	
55	53240-MB9-780	Stabilizer, FR. Fork	1	1	1	1	1	1	1	1	1	1	1	1	
56	90116-MC7-003	Bolt, socket, 6mm	8	8	8	8	8	8							
57	90116-283-010	Bolt, socket, 8mm	2	2	2										
57	90116-383-720	Bolt, socket, 8mm				2	2	2							
57	90116-383-721	Bolt, socket, 8mm							2	2	2	2	2	2	
58	90153-MB0-000	Bolt, socket, 8x17	4	4	4	4	4	4	4	4	4	4	4	4	
59	90543-273-000	Packing, FR. Fork drain cock	2	2	2	2	2	2	2	2	2	2	2	2	
60	90544-283-000	Washer, special, 8mm	2	2	2	2	2	2	2	2	2	2	2	2	
61	91254-MB4-003	Dust seal	2	2	2	2	2	2	2	2	2	2	2	2	
62	91301-469-003	O-ring, 5.8x1.9	1	1	1	1	1	1	1	1	1	1	1	1	
63	91305-MC7-003	O-ring d, 13.8x2.4	2	2	2	2	2	2	2	2	2	2	2	2	
64	91310-MC7-003	O-ring b, 6.8x1.9	2	2	2	2	2	2	2	2	2	2	2	2	
65	91352-MB4-003	O-ring	4	4	4	4	4	4	4	4	4	4	4	4	
66	91352-	O-ring,				2	2								

	003															
73	93500-05010-1A	Screw, pan, 5x10	2	2	2	2	2	2	2	2	2	2	2			
74	93600-06040-0G	Screw, flat, 6x40	2	2	2	2	2	2	2	2	2	2	2			
75	90309-KF0-003	Nut, flange, 8mm							4	4	4	4	4			
75	94030-08000	Nut, hex., 8mm	4	4	4	4	4	4								
75	94030-08000	Nut, hex., 8mm							4					To GA212918		A
75	94030-08000	Nut, hex., 8mm							4					To GA217800		AC
75	94030-08000	Nut, hex., 8mm								4				To GA213030		A
75	94030-08000	Nut, hex., 8mm								4				To GA216090		AC
75	94030-08000	Nut, hex., 8mm									4			To GA212927		A
75	94030-08000	Nut, hex., 8mm									4			To GA212875		AC
76	94101-08000	Washer, plain, 8mm	4	4	4	4	4	4								
76	94101-08000	Washer, plain, 8mm							4					To GA212918		A
76	94101-08000	Washer, plain, 8mm							4					To GA217800		AC
76	94101-08000	Washer, plain, 8mm								4				To GA213030		A
76	94101-08000	Washer, plain, 8mm								4				To GA216090		AC
76	94101-08000	Washer, plain, 8mm									4			To GA212927		A
76	94101-08000	Washer, plain, 8mm									4			To GA212875		AC
77	94111-08000	Washer, spring, 8mm	4	4	4	4	4	4								
77	94111-08000	Washer, spring, 8mm							4					To GA212918		A
77	94111-08000	Washer, spring, 8mm							4					To GA217800		AC
77	94111-08000	Washer, spring, 8mm								4				To GA213030		A
77	94111-08000	Washer, spring, 8mm								4				To GA216090		AC
77	94111-	Washer,									4			To		A

	08000	spring, 8mm															GA212927	
77	94111-08000	Washer, spring, 8mm										4					To GA212875	AC
78	96211-05000	Ball, steel, #5 (5/32)	2	2	2	2	2	2	2	2	2	2	2	2				
	96700-06018-17	Bolt, socket, 6x18							8	8	8	8	8					



Nr	Partnr	Description	84 Std	84 Int	84 asp	85 Int	85 asp	85 Ltd	86 Int	86 asp	86 SEi	87 Int	87 asp	Serialnr	Areacode
1	37700-MG9-871	Sensor assy., Speed			1										
1	37700-MG9-931	Sensor assy., Speed					1			1					
1	37700-MG9-951	Sensor assy., Speed						1			1		1		
2	42704-MB0-000	Weight, balance (10g)	N	N	N	N	N	N	N	N	N	N	N		
2	42705-MB0-000	Weight, balance 120g)	N	N	N	N	N	N	N	N	N	N	N		
2	42706-MB0-000	Weight, balance (30g)	N	N	N	N	N	N	N	N	N	N	N		
3	42753-GC7-822	Valve, rim (dunlop)	1	1	1	1	1	1	1	1	1				
3	42753-ML7-004	Valve, rim (dunlop)										1	1		
4	44301-463-000	Axle, FR. Wheel	1	1	1	1	1	1	1	1	1	1	1		
5	44311-410-000	Collar, FR. Wheel side	1	1	1	1	1	1	1	1	1	1	1		
6	44620-410-000	Collar, FR. Wheel distance	1	1	1	1	1	1	1	1	1	1	1		
7	44650-MG9-305	Wheel comp., FR.	1	1	1										
7	44650-MG9-680	Wheel comp., FR.				1	1	1	1	1	1	1	1		
8	44680-410-000	Retainer, gear box	1	1	1	1	1	1							
9	44710-MG9-	Tire assy., FR. (dunlop) (130/90-16	1	1		1			1			1			

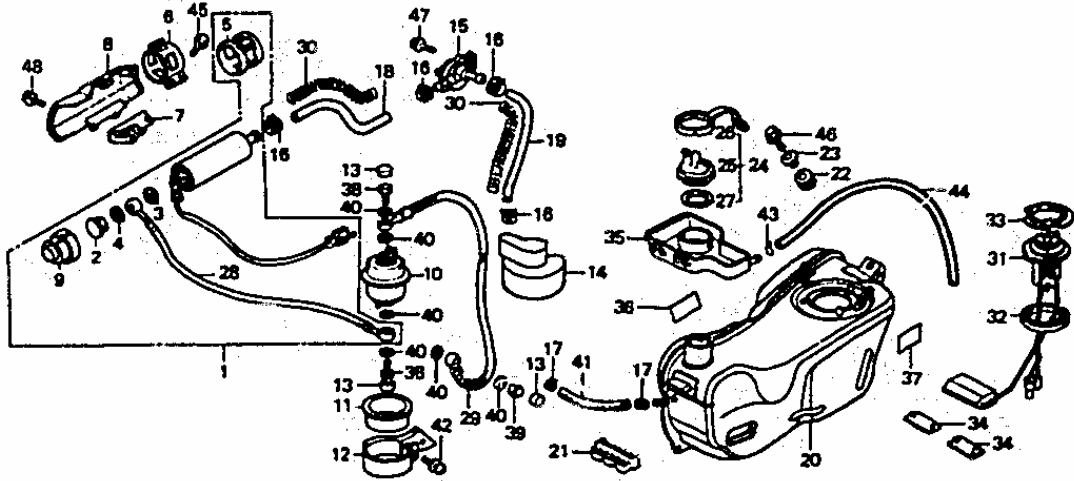


Nr	Partnr	Description	84	84	84	85	85	85	86	86	86	87	87	Serialnr	Areacode
			Std	Int	asp	Int	asp	Ltd	Int	asp	SEi	Int	asp		
1	15707-634-000	Clip, oil drain										1	1		
2	95002-01120	Clip a12, tube	4	4	4	4	4								
2	15772-500-010	Clip, breather tube										3	3		
2	15772-500-013	Clip, breather tube										3	3		
3	16077-HA7-671	O-ring										2	2		
4	16700-MG9-005	Pump assy., Fuel	1												
4	16700-MG9-771	Pump assy., Fuel		1	1	1	1		1	1					
4	16700-ML8-601	Pump assy., Fuel										1	1		
5	16705-MG9-000	Band, fuel pump	1	1	1	1	1		1	1		1	1		
6	16706-MG9-000	Collar, pump setting	2	2	2	2	2		2	2		2	2		
7	16708-MG9-000	Stay, fuel pump	1	1	1	1	1		1	1		1	1		
8	16720-MG9-000	Cushion, fuel pump	1	1	1	1	1		1	1		1	1		

9	16900-371-004	Strainer comp., Fuel	1	1	1	1	1		1	1							
9	16900-MG8-003	Strainer comp., Fuel										1	1				
10	16950-MG9-005	Cock assy., Fuel	1	1	1				1	1							
10	16950-MG9-681	Cock assy., Fuel				1	1		1	1							
10	16950-ML8-601	Cock assy., Fuel										1	1				
11	17510-MG9-000	Tank comp., Fuel	1													To EA011021	
11	17510-MG9-000	Tank comp., Fuel		1												To 4026300	
11	17510-MG9-000	Tank comp., Fuel		1	1												CM
11	17510-MG9-000	Tank comp., Fuel			1											To 6025471	E,ED,F,SW,U
11	17510-MG9-680	Tank comp., Fuel				1	1										
11	17510-MG9-010	Tank comp., Fuel	1													From EA011022	
11	17510-MG9-010	Tank comp., Fuel		1												From 4026301	
11	17510-MG9-010	Tank comp., Fuel			1											From 6025472	E,ED,F,SW,U
11	17510-ML8-000	Tank comp., Fuel							1	1							
11	17510-ML8-701	Tank comp., Fuel											1				
11	17510-ML8-601	Tank comp., Fuel										1					
12	17615-MG9-000	Rubber b, fuel tank mounting	1	1	1	1	1		1	1		1	1				
13	17616-371-000	Rubber c, fuel tank mounting	1	1	1	1	1		1	1		1	1				
14	17618-	Collar, fuel tank	1	1	1	1	1		1	1		1	1				

	371-000	setting														
15	17626-MG9-000	Stay a, strainer	1	1	1	1	1		1	1		1	1			
16	17628-371-000	Stay b, strainer	1	1	1	1	1		1	1		1	1			
17	17660-MG9-000	Cap assy., Fuel filler	1	1	1	1	1		1	1		1	1			
17	17660-MG9-640	Cap assy., Fuel filler							1	1						AC
18	17670-MG9-003	Cap comp., Fuel filler	1	1	1	1	1		1	1		1	1			
18	17670-MG9-641	Cap comp., Fuel filler							1	1		1	1			AC
19	17671-463-000	Ring, fuel filler cap	1	1	1	1	1		1	1		1	1			
20	17682-679-013	Gasket, fuel filler cap							1	1		1	1			
21	37800-MG9-008	Meter unit, fuel			1											
21	37800-MG9-741	Meter unit, fuel				1	1		1	1						
21	37800-MG9-741	Meter unit, fuel							1						To GA221985	A
21	37800-MG9-741	Meter unit, fuel								1					To GA222447	A
21	37800-MG9-742	Meter unit, fuel							1	1						
21	37800-MG9-771	Meter unit, fuel	1	1												
21	37800-MG9-952	Meter unit, fuel										1	1			
22	37801-689-000	Gasket, base	1	1	1	1	1		1	1		1	1			
23	37802-371-000	Retainer, fuel unit	1	1	1	1	1		1	1		1	1			
24	61108-MB0-	Clamp, speedometer sensorwire							1	1		1	1			

	000														
25	77204-312-000	Rubber, seat setting	2	2	2	2	2		2	2		2	2		
26	83502-MG9-000	Box, fuel tank	1	1	1	1	1		1	1		1			
27	87135-ML8-740	Diagram vacuum hose routing							1	1					AC
27	87135-ML8-790	Diagram vacuum hose routing										1	1		AC
28	87505-MG9-930	Label, tire caution								1					
28	87505-ML8-700	Mark, tire caution											1		
28	87505-MG9-680	Label, tire caution							1			1			
29	87506-MG9-680	Mark, battery caution				1	1		1	1		1	1		
29	87506-MG9-690	Mark, battery caution (french)				1	1								CM
29	87506-463-740	Mark, battery caution	1	1	1										CM,E,ED,G,SW,U
29	87506-MB9-720	Mark, battery caution (french)	1	1	1										CM,F
30	87518-MB9-730	Label, RR. Cushion caution (french)	1												
30	87518-MB9-780	Label, RR. Cushion caution	1												
30	87518-MG9-770	Label, RR. Cushion caution		1	1	1	1		1			1			CM,E,ED,G,ITSD,SW,U
30	87518-MG9-780	Label, RR. Cushion caution (french)		1	1	1	1								CM,F
31	90602-MG9-680	Clip a12, tube							1	1					
32	91455-MG9-000	Hose, fuel, 5.5x170	1	1	1	1	1		1	1					
32	91455-ML8-600	Hose, fuel (a)										1	1		



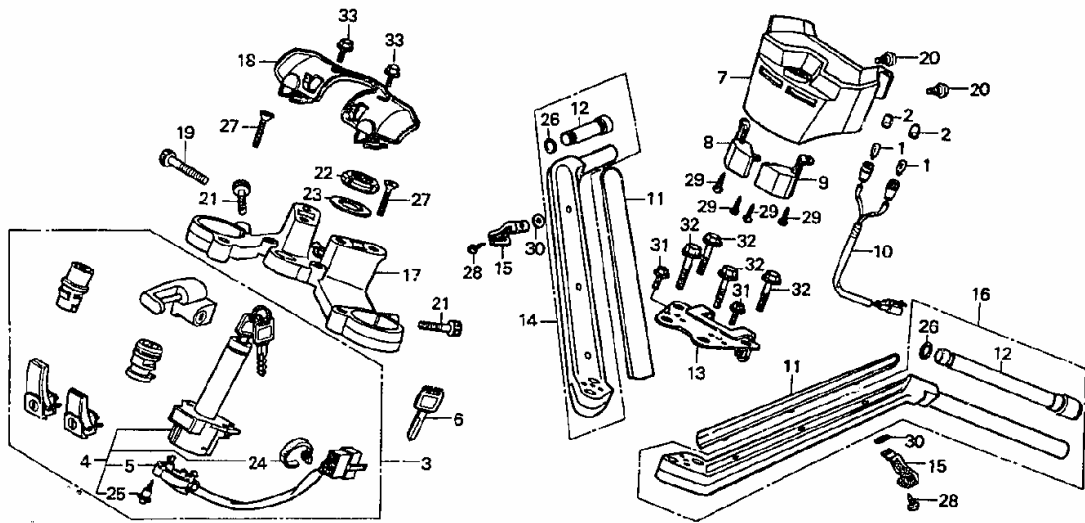
Nr	Partnr	Description	84 Std	84 Int	84 asp	85 Int	85 asp	85 Ltd	86 Int	86 asp	86 SEi	87 Int	87 asp	Serialnr	Areacode
1	16700-MG9-951	Pump assy., Fuel						1							
1	16700-ML8-751	Pump assy., Fuel									1				
2	16701-MG9-951	Nut, fuel pump						1			1				
3	16702-MC7-003	Washer, pump						1			1				
4	16703-MC7-003	Gasket, pump						1			1				
5	16715-MG9-950	Rubber, fuel pump						1			1				
6	16716-MG9-950	Band, fuel pump						1			1				
7	16717-MG9-950	Stay comp., Fuel pump						1			1				
8	16718-MG9-950	Protector, fuel pump						1			1				
9	16719-MG9-951	Cap, fuel pump						1			1				
10	16900-MG9-951	Strainer comp., Fuel						1			1				
11	16901-MG9-950	Band, strainer						1			1				
12	16902-MG9-	Stay, fuel strainer						1			1				

	950																	
13	16903-ML8-750	Bolt, cap 12mm										3						
14	16905-ML8-750	Cover, fuel strainer										1						
15	16950-MG9-951	Cock assy., Fuel							1			1						
16	16968-MC7-000	Clip b, fuel hose							4			4						
17	16969-MC7-000	Clip a, fuel hose							2			2						
18	16970-MG9-950	Hose, fuel (a)							1			1						
19	16971-MG9-950	Hose, fuel (b)							1			1						
19	16971-MG9-950	Hose, fuel (b)										1			To GA216881			A
19	16971-MG9-951	Hose, fuel (b)										1			From GA216882			A
20	17510-MG9-950	Tank comp., Fuel							1									
20	17510-ML8-750	Tank comp., Fuel										1						
21	17615-MG9-000	Rubber b, fuel tank mounting							1			1						
22	17616-371-000	Rubber c, fuel tank mounting							1			1						
23	17618-371-000	Collar, fuel tank setting							1			1						
24	17660-MG9-000	Cap assy., Fuel filler							1			1						
24	17660-MG9-640	Cap assy., Fuel filler										1						AC
25	17670-MG9-003	Cap comp., Fuel filler							1			1						
25	17670-MG9-641	Cap comp., Fuel filler										1						AC
26	17671-463-000	Ring, fuel filler cap							1			1						
27	17682-679-013	Packing, fuel filler cap										1						

28	17965-MG9-951	Hose assy., Fuel						1		1				
29	17966-MG9-951	Hose assy., Fuel (b)						1		1				
30	19512-GJ1-010	Guard, wire						2		2				
31	37800-MG9-951	Meter unit, fuel						1		1				
32	37801-689-000	Gasket, base						1		1				
33	37802-371-000	Retainer, fuel unit						1		1				
34	77204-312-000	Rubber, seat setting						2		2				
35	83502-MG9-950	Box, fuel tank						1		1				
36	87135-ML8-760	Diagram, vacuum hose routing								1				AC
37	87505-MG9-950	Mark, tire caution								1				
38	90020-PD1-000	Bolt, sealing, 12mm						2		2				
39	90201-PD1-000	Nut a, sealing (12mm)						1		1				
40	90428-PD1-003	Washer, sealing, 12mm						6		6				
41	91453-MG9-950	Hose, fuel return						1		1				
42	93493-06016-07	Boltwasher, 6x16						1		1				
43	95002-02120	Clip b12, tube						1		1				
44	95003-23075-31	Tube, vinyl, 8x12x750						1		1				
45	95700-06020-00	Bolt, flange, 6x20						2		2				
46	95700-08028-08	Bolt, flange, 8x28						1		1				
47	95900-06010-00	Bolt, flange, 6x10						1						
47	95900-06014-00	Bolt, flange, 6x14								1				
48	95900-06012-02	Bolt, flange, 6x12						2		2				
	17516-MB2-000	Rubber, fuel tank side						1						

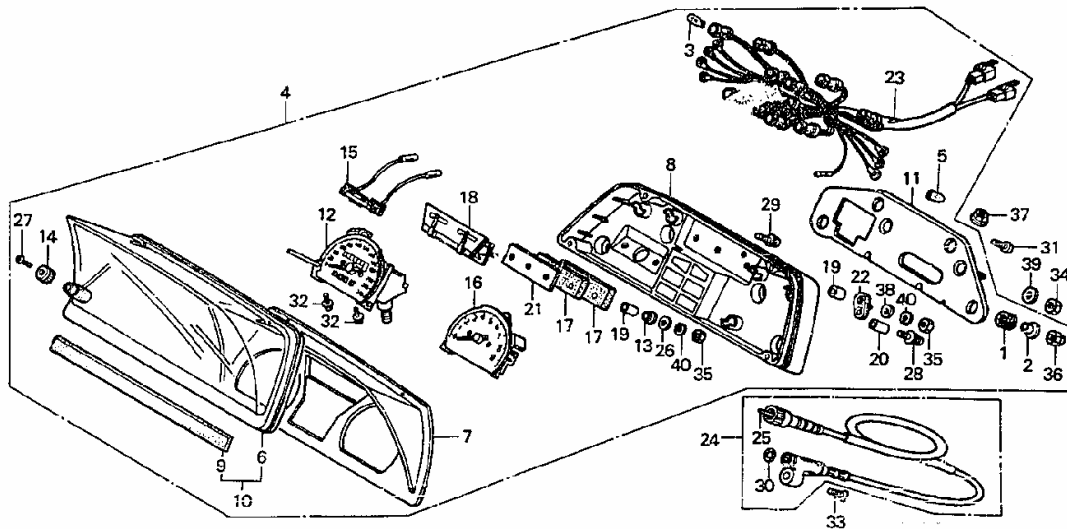
20	61408-MG9-770	Clip, R. Hose		1	1											
21	61409-MG9-770	Clip, L. Hose		1	1											
22	61411-MG9-680	Stay, handle cover	1	1	1	1	1		1	1		1	1			
23	87517-MB1-770	Label, FR. Fork caution	1	1	1	1	1		1	1		1				CM,E,ED,G,IT,SD,SW,U
23	87517-MB1-790	Label, FR. Fork caution (french)	1	1	1	1										CM,F
24	90104-MJ1-000	Bolt, flange, 8x19				2	2		2	2		2	2			CM,E,SW
24	90104-MJ1-000	Bolt, flange, 8x19					2									IT
24	90105-KE1-721	Bolt, combination switch setting		2	2	2										ED,G,IT,SD
24	90105-MA6-000	Bolt, flange, 8x19	2	2	2											CM,E,F,U
24	90105-MC7-610	Bolt, combination switch setting		2	2											SW
25	90106-422-000	Bolt, special socket	1	1	1	1	1		1	1		1	1			
26	90107-MG9-770	Bolt, special		2	2											
27	90111-362-000	Bolt, flange, 8x36	4	4	4	4	4		4	4		4	4			
28	90151-MB0-000	Bolt, socket, 7x38	2	2	2	2	2		2	2		2	2			
29	90304-371-000	Nut, steering stem	1	1	1	1	1		1	1		1	1			
30	90503-283-000	Washer, steering stem	1	1	1	1	1		1	1		1	1			
31	91058-MG9-681	Band, self lock	1	1		1	1		1	1		1	1			
32	91059-	Screw,	3			3	3		3	3		3	3			CM,E,IT,SW

	MG9-681	tapping, 3x16														
33	91060-MG9-680	Collar, combination switch				3	3									CM,E,IT,SW
34	93500-04008-0G	Screw, pan, 4x8	2	2	2	2	2		2	2		2	2			
35	93500-04010-0G	Screw, pan, 4x10	2	2	2	2	2		2	2		2	2			
36	94101-03800	Washer, plain, 3mm				3	3									CM,E,IT,SW
37	95900-06010-08	Bolt, flange, 6x10				2	2		2	2		2	2			



Nr	Partnr	Description	84 Std	84 Int	84 asp	85 Int	85 asp	85 Ltd	86 Int	86 asp	86 SEi	87 Int	87 asp	Serialnr	Areacode
1	34908-MG9-951	Bulb, wedge base (12v1.7w)						2			2				
2	34909-MB0-008	Cap, bulb						2			2				
3	35010-MG9-950	Key set						1							
3	35010-MG9-951	Key set									1				
4	35100-MG9-951	Switch assy., Combination & lock						1							
4	35100-MG9-952	Switch assy., Combination & lock									1				
5	35101-MG9-951	Base comp., contact						1			1				
6	35121-KW3-771	Key, blank (type 1)						(1)			(1)				
6	35122-KW3-771	Key, blank (type 2)						(1)			(1)				
7	37601-MG9-951	Body, handle cover						1			1				
8	37602-MG9-951	Case, R. Handle cover						1			1				
9	37603-MG9-951	Case, L. Handle cover						1			1				
10	37610-MG9-951	Cord comp., Radio & illumination						1			1				
11	53110-MG9-950	Cover/Lower, handle upper						2			2				
12	53111-MG9-950	Weight, handle						2			2				
13	53112-MG9-950	Plate, handle						1			1				

14	53120-MG9-950	Pipe assy., R. Steering handle						1			1				
15	53121-MG9-950	Clip, harness						6			6				
16	53160-MG9-950	Pipe assy., L. Steering handle						1			1				
17	53230-MG9-950	Bridge, fork top						1			1				
18	61406-MG9-680	Cover, harness						1			1				
19	90106-422-000	Bolt, special socket						1			1				
20	90114-MG9-770	Screw, protector setting						2			2				
21	90151-MB0-000	Bolt, socket, 7x38						2			2				
22	90304-371-000	Nut, steering stem						1			1				
23	90503-283-000	Washer, steering stem						1			1				
24	91058-MG9-681	Band, self lock						1			1				
25	91059-MG9-681	Screw, tapping, 3x16						3			3				
26	91352-422-000	O-ring, 10.6x3						2			2				
27	93600-06040-0G	Screw, flat, 6x40						2			2				
28	93901-24220	Screw, tapping, 4x10						6			6				
29	93903-22220	Screw, tapping, 3x10						4			4				
30	94103-05700	Washer, plain, 5mm						6							
30	94103-05800	Washer, plain, 5mm									6				
31	95700-06014-08	Bolt, flange, 6x14						2			2				
32	95800-10050-08	Bolt, flange, 10x50						4			4				
33	95900-06010-08	Bolt, flange, 6x10						2			2				



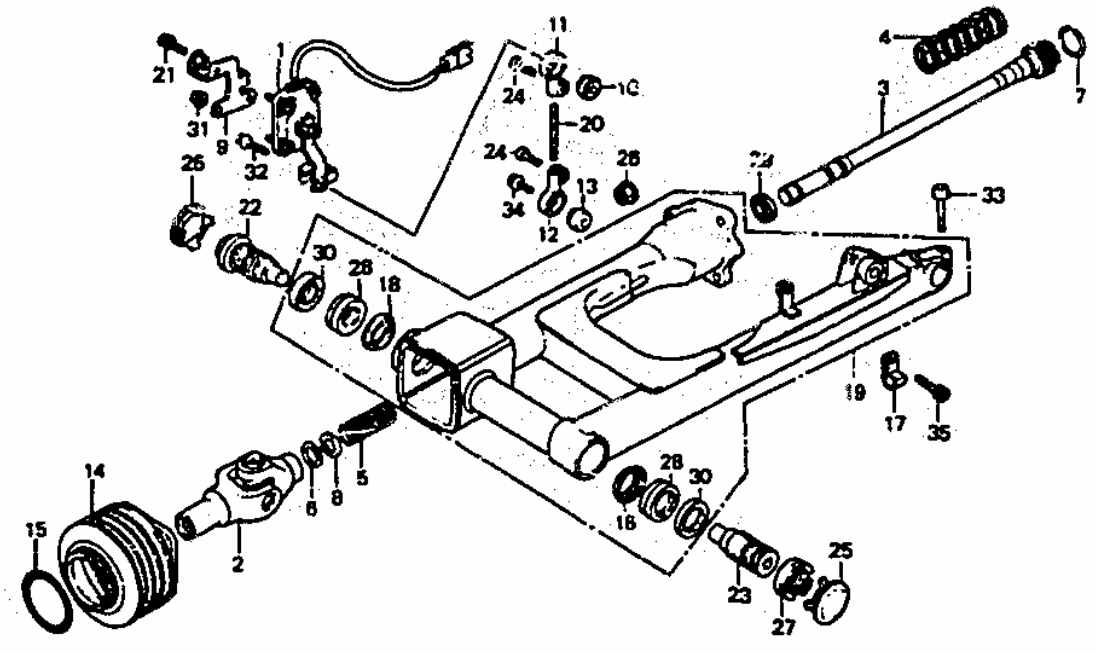
Nr	Partnr	Description	84 Std	84 Int	84 asp	85 Int	85 asp	85 Ltd	86 Int	86 asp	86 SEi	87 Int	87 asp	Serialnr	Areacode
1	19051- KA4- 000	Rubber, radiator mounting		4		4			4			4			
2	19052- MB0- 000	Collar, radiator mounting		4		4			4			4			
3	34908- MB0- 003	Bulb, wedge base (12v/3w)		12		12			12			12			
4	37100- MG9- 691	Meter assy., Combination				1									
4	37100- MG9- 701	Meter assy., Combination		1										To 4020949	E
4	37100- MG9- 702	Meter assy., Combination		1										From 4020950	E
4	37100- MG9- 711	Meter assy., Combination		1										To 4020949	ED,F,G,SW
4	37100- MG9- 712	Meter assy., Combination		1										From 4020950	ED,F,G,SW
4	37100- MG9- 731	Meter assy., Combination				1									IT,SD
4	37100- MG9- 751	Meter assy., Combination		1										To EA024100	
4	37100- MG9- 752	Meter assy., Combination		1										From EA024101	
4	37100- MG9- 761	Meter assy., Combination				1									E

	MG9-771	setting													
12	37200-MG9-691	Speedometer assy.			1										
12	37200-MG9-701	Speedometer assy.	1											E	
12	37200-MG9-711	Speedometer assy.	1											ED,F,G,SW	
12	37200-MG9-741	Speedometer assy.					1		1						
12	37200-MG9-751	Speedometer assy.	1												
12	37200-MG9-761	Speedometer assy.			1									E	
12	37200-MG9-781	Speedometer assy.			1									ED,G,IT,SD,SW	
13	37203-MC7-611	Rubber, meter setting	3	3			3		3						
14	37204-MC7-610	Knob, trip meter	1												
14	37204-MC7-612	Knob, trip meter			1		1		1						
15	37240-MG9-771	Switch comp., Lead	1	1			1		1						
16	37250-MG9-741	Tachometer assy.	1	1			1		1						
16	37250-MG9-761	Tachometer assy.	1	1											
17	37253-MC7-611	Cushion, tachometer	2	2			2		2						
18	37300-MG9-771	Meter assy., Temp & fuel	1	1											
18	37300-ML8-671	Meter assy., Temp & fuel					1		1						
19	37303-MC7-611	Collar, fuel & temperature meter	4	4			4		4						
20	37303-	Collar, meter	1	1			1		1						

	MG9-771																		
21	37304-MG9-771	Stay, temp & Fuel meter	1	1			1				1								
22	37404-KG4-008	Rubber, cushion	1	1			1				1								
23	37019-MG9-771	Cord comp., Pilot	1	1			1				1								
24	44830-ME5-000	Cable assy., Speedometer	1	1			1				1								
25	44831-ME5-300	Cable, inner	1	1			1				1								
26	90101-MC7-611	Washer, 4.3x12.5	3																
26	90101-MG9-741	Washer				3				4					4				
27	90600-MB2-008	Screw, flat, 2.3x6				1				1					1				
27	90600-MC7-612	Screw, pan, 2.3x6	1																
28	90890-MG9-771	Screw-washer, 3x24	1	1						1					1				
29	90891-MG9-771	Screw-washer, 3x12	5	5						5					5				
30	91301-027-000	O-ring, 6.8x1.9	1	1						1					1				
31	93500-04006-0A	Screw, pan, 4x6	1	1						1					1				
32	90101-GG2-008	Screw-washer 4x10				2				2					2				
32	93500-04010-0H	Screw, pan, 4x10	2																
33	93700-05020-0A	Screw, oval, 5x20	1	1						1					1				
34	94001-06000-0S	Nut, hex., 6mm	2	2															
35	94002-04000-	Nut, hex., 4mm	4	4						4					4				

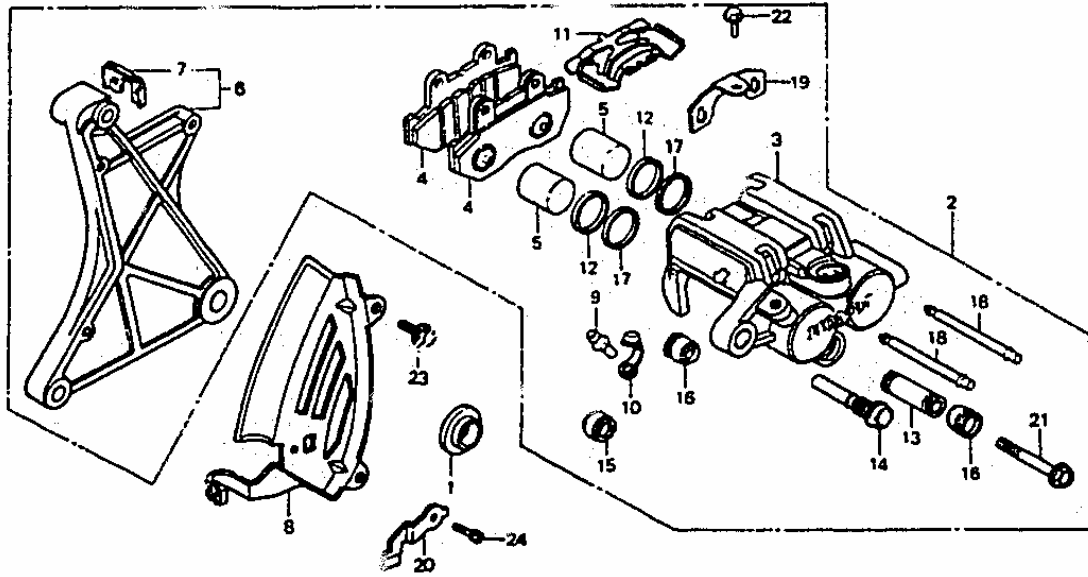
	0S													
36	94021-06000-0S	Nut, cap, 6mm	4	4			4			4				
37	94050-06080	Nut, flange, 6mm	2	2			2			2				
38	90101-MG9-741	Washer					1							
38	94101-04000	Washer, plain, 4mm	1											
39	90301-634-670	Nut, flange, 6mm								4			4	
39	94103-06000	Washer, plain, 6mm	2	2										
40	94111-04800	Washer, spring, 4mm	4	4			4			4			4	
	37107-ML8-741	Cushion, light guide								3			3	

	MG9-000	Main															
9	50500-MG9-680	Stand comp., Main				1	1	1	1	1	1	1	1				
10	50526-300-000	Pipe, main stand pivot	1	1	1	1	1	1	1	1	1	1	1				
11	50540-MG9-000	Bar assy., Side stand	1	1	1												
11	50540-MG9-680	Bar assy., Side stand				1	1	1	1	1	1	1	1				
12	50541-MB0-000	Spring, side stand	1	1	1	1	1	1	1	1	1	1	1				
13	50542-MB0-610	Sub spring, side stand		1	1												ED,G,SW
13	50542-MB0-611	Sub spring, side stand				1	1										ED,G,IT,SD, SW
14	50548-356-700	Rubber, stand	1	1	1	1	1	1	1	1	1	1	1				
15	50549-356-700	Collar, stand rubber setting	1	1	1	1	1	1	1	1	1	1	1				
16	50550-MG9-680	Clip, drain tube				1	1	1									CM,ED,G,IT, SD
16	50550-MG9-680	Clip, drain tube				1			1	1	1	1	1				E,SW
17	50574-MB0-000	Bracket, side stand rubber	1	1	1	1	1	1	1	1	1	1	1				
18	90108-371-610	Screw, side stand pivot	1	1	1												
18	90108-MG9-680	Screw, side stand				1	1	1	1	1	1	1	1				
19	90115-MB0-000	Bolt, side stand rubber set				1	1	1	1	1	1	1	1				
20	90183-438-000	Bolt, special flange, 8x26	1	1	1	1	1	1	1	1	1	1	1				
21	90324-001-810	Nut, RR. cushion under setting	1	1	1												
21	90203-MJ4-000	Nut, side stand				1	1	1	1	1	1	1	1				
22	90501-310-000	Washer, 7x12	1	1	1	1	1	1	1	1	1	1	1				
23	90501-689-000	Washer, 31x6.3x2.3	1	1	1	1	1	1	1	1	1	1	1				



Nr	Partnr	Description	84 Std	84 Int	84 asp	85 Int	85 asp	85 Ltd	86 Int	86 asp	86 SEi	87 Int	87 asp	Serialnr	Areacode
1	38700-MG9-951	Sensor assy., RR.						1			1				
2	40200-MG9-000	Joint comp., Yoke	1	1	1										
2	40200-MG9-010	Joint comp., Yoke				1	1	1	1	1	1	1	1		
3	40201-MG9-000	Shaft, propeller	1	1	1	1	1	1	1	1	1	1	1		
4	40215-ME9-003	Spring, propeller shaft	1	1	1	1	1	1	1	1	1	1	1		
5	40215-MG9-000	Spring, propeller shaft	1	1	1	1	1	1	1	1	1	1	1		
6	40219-MG9-000	Circlip	1	1	1	1	1	1	1	1	1	1	1		
7	40221-MB0-000	Ring, stopper	1	1	1	1	1	1	1	1	1	1	1		
8	40222-MG9-000	Stopper, propeller shaft	1	1	1	1	1	1	1	1	1	1	1		
9	50182-MG9-950	Stay comp., Sensor						1			1				
10	51813-SA5-800	Bush, sensor rod						1			1				

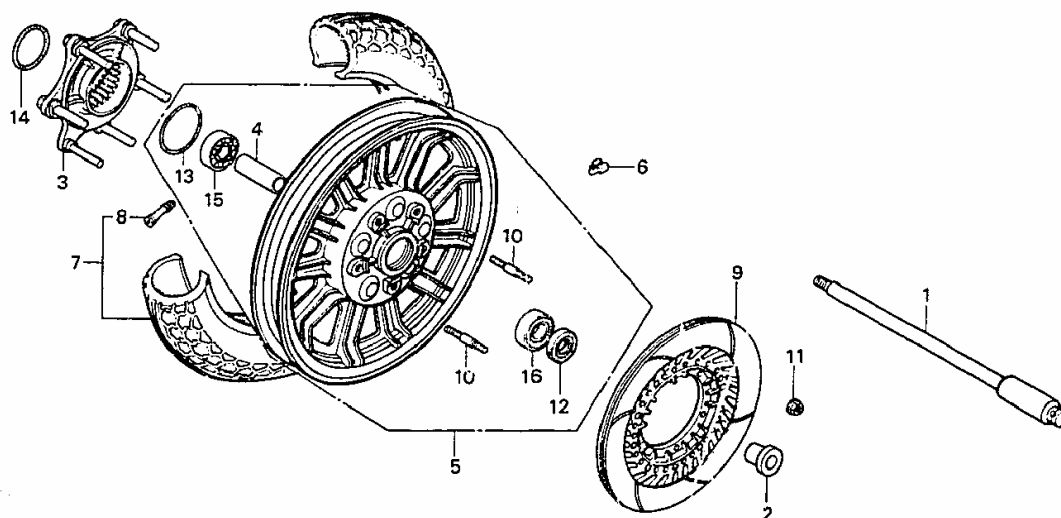
34	95900-08020-00	Bolt, flange, 8x20						1			1				
35	96700-06010-07	Bolt, socket, 6x10							1	1	1	1	1		



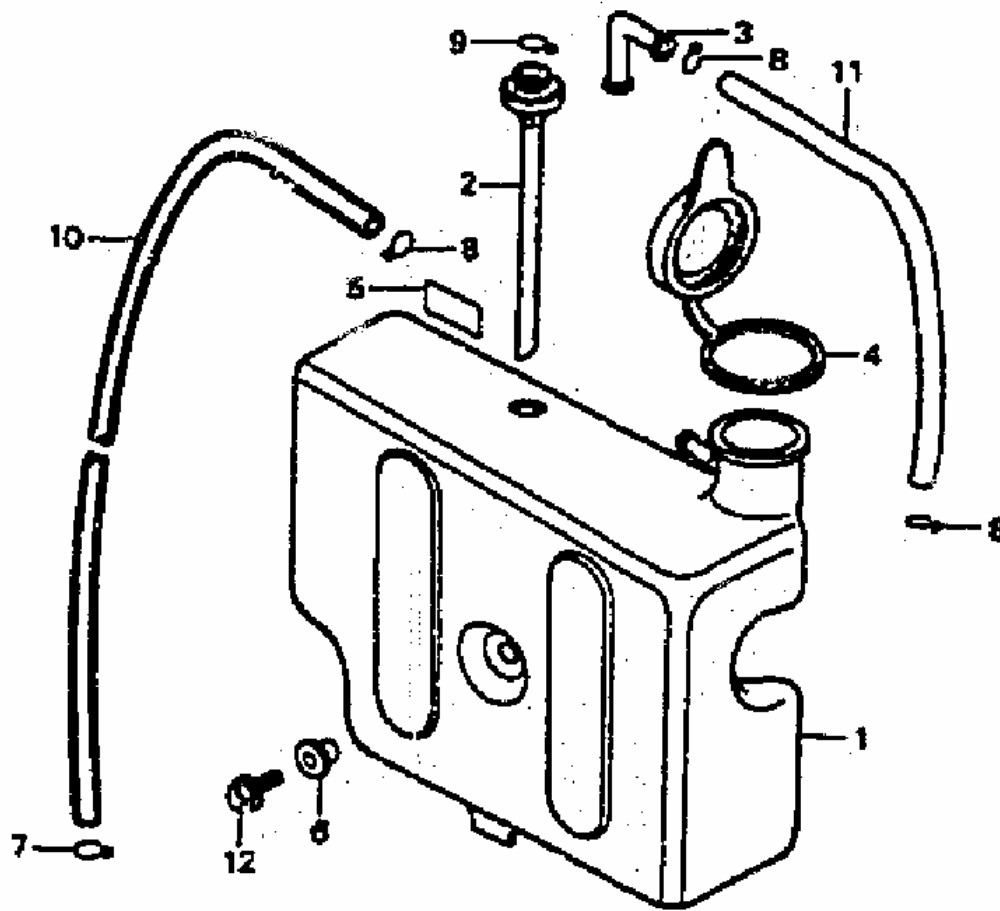
Nr	Partnr	Description	84		85		86		86		87		Serialnr	Areacode
			Std	Int	asp	Int	asp	Ltd	Int	asp	SEi	Int		
1	42313-MG9-000	Collar, RR. Wheel side	1	1	1	1	1	1	1	1	1	1		
2	43100-MG9-007	Caliper assy., RR.	1	1	1	1	1	1	1	1				A,AC,CM,E,ED, F,IT,SD,SW,U
2	43100-MG9-017	Caliper assy., RR.									1	1		
2	43100-MG9-711	Caliper assy., RR.		1		1								G
3	43101-MG9-006	Caliper comp., RR.	1	1	1	1	1	1	1	1	1	1		
4	43105-MG9-007	Pad comp., RR. (ask)	2	2	2	2	2	2	2	2	2	2		
5	43107-MA7-006	Piston	2	2	2	2	2	2	2	2	2	2		
6	43110-MG9-006	Bracket comp., RR.	1	1	1	1	1	1	1	1	1	1		A,AC,CM,E,ED, F,IT,SD,SW,U
6	43110-MG9-711	Bracket comp., RR.		1		1								G
7	43112-445-631	Retainer, RR. Bracket	1	1	1	1	1	1	1	1	1	1		
8	43140-MG9-000	Cover, RR. Disk	1	1	1	1	1							
8	43140-ML8-670	Cover, RR. Disk						1	1	1	1	1		

6	43503-MG9-006	Connector	1	1	1	1	1		1	1				
7	43504-MB2-006	Boot comp.	1	1	1	1	1		1	1				
8	43510-MB4-671	Cap comp., Oil cup	1	1	1									
8	43513-MB4-672	Cap comp., Oil cup			1	1	1		1	1				
9	43511-MA6-006	Cup, master cylinder oil	1	1	1	1	1		1	1				
10	43512-MG9-000	Hose, master cylinder	1	1	1	1	1		1	1				
11	43514-445-771	Clamp, master cylinder oil hose	2	2	2	2	2		2	2				
12	43520-MG9-305	Piston set, master cylinder	1	1	1	1	1		1	1				CM,E,ED,F,IT,SD,SW,U
12	43520-MG9-711	Piston set, master cylinder	1			1								G
13	43530-MG9-006	Rod comp., Push	1	1	1	1	1		1	1				
14	45520-300-000	Diaphragm	1	1	1	1	1		1	1				
14	45520-371-013	Diaphragm											1	
15	45521-300-010	Plate, diaphragm	1	1										
15	45521-MJ6-006	Plate, diaphragm			1	1	1		1	1				
16	46182-500-013	Circlip	1	1	1	1	1		1	1				
17	46504-445-771	Joint, brake rod	1	1	1	1	1		1	1				
18	90106-438-000	Bolt, socket, 8x48	2	2	2	2	2		2	2				
19	90145-961-000	Bolt, oil, 10x22	1	1										
19	90145-961-010	Bolt, oil, 10x22			1	1	1		1	1				
19	90145-KM3-750	Bolt, oil, 10x22											1	
20	90545-300-000	Washer, oil bolt	2	2	2	2	2		2	2				

20	46472-568-000	Gasket b, oil bolt										2			
21	90651-538-000	Clip, brake hose	1	1	1	1	1		1	1		1			
22	91212-422-006	O-ring, 14.8x2.4	1	1	1	1	1		1	1		1			
23	92000-06016-0A	Bolt, hex., 6x16	1	1	1	1	1		1	1		1			
24	93893-04012-18	Screw-washer, 4x12	1	1	1	1	1		1	1		1			
25	94001-06000-0S	Nut, hex., 6mm	1	1	1	1	1		1	1		1			
26	94002-08000-0S	Nut, hex., 8mm	1	1	1	1	1		1	1		1			
27	94101-08000	Washer, plain, 8mm	1	1	1	1	1		1	1		1			
28	95700-06012-08	Bolt, flange, 6x12	1	1	1	1	1		1	1		1			

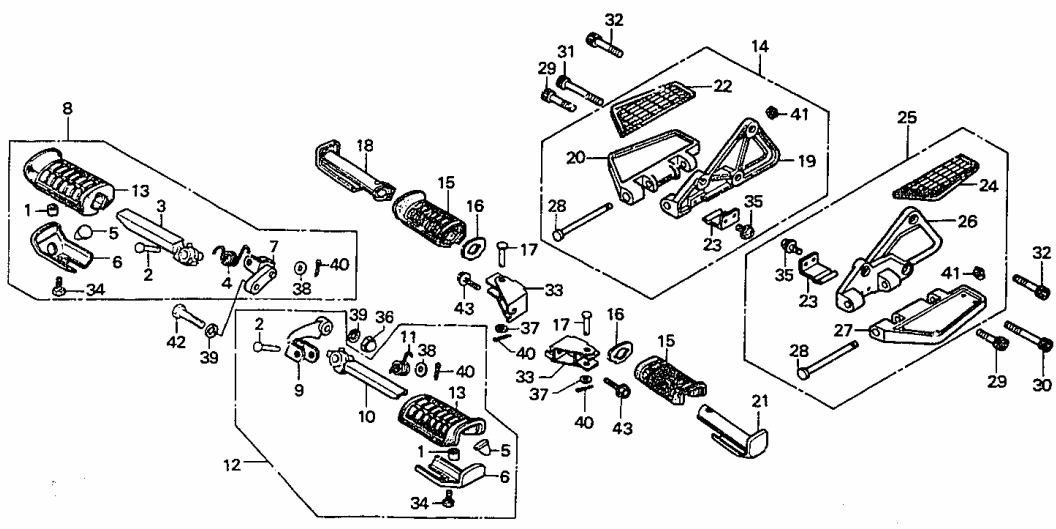


Nr	Partnr	Description	84 Std	84 Int	84 asp	85 Int	85 asp	85 Ltd	86 Int	86 asp	86 SEi	87 Int	87 asp	Serialnr	Areacode
1	42301-MG9-000	Axle, RR. Wheel	1	1	1	1	1	1	1	1	1	1	1		
2	42313-MG9-000	Collar, RR. Wheel side	1	1	1	1	1	1	1	1	1	1	1		
3	42614-MG9-000	Flange comp., Final driven	1	1	1	1	1	1							
3	42614-ML8-670	Flange comp., Final driven							1	1	1	1	1		
4	42620-MB4-000	Collar, RR. Axle distance	1	1	1										
4	42620-431-670	Collar a, RR. Distance				1	1	1	1	1	1	1	1		
5	42650-MG9-305	Wheel comp., RR.	1	1	1										
5	42650-MG9-680	Wheel comp., RR.				1	1	1							
5	42650-ML8-670	Wheel comp., RR.							1	1	1	1	1		
6	42704-MB0-000	Weight, balance (10g)	N	N	N	N	N	N	N	N	N	N	N		
6	42705-MB0-000	Weight, balance (20g)	N	N	N	N	N	N	N	N	N	N	N		
6	42706-MB0-000	Weight, balance (30g)	N	N	N	N	N	N	N	N	N	N	N		
7	42710-MG9-003	Tire assy., RR. (dunlop) (150/90-15 74h)	1	1		1			1			1			
7	42710-MG9-871	Tire assy., RR. (dunlop) (150/90-15 74h)				1		1	1		1	1			
7	42710-ML8-702	Tire assy., RR. (us dunlop) (150/90-15 74h)											1		
8	42753-GC7-822	Valve, rim (dunlop)	1	1	1	1	1	1	1	1	1				



Nr	Partnr	Description	84 Std	84 Int	84 asp	85 Int	85 asp	85 Ltd	86 Int	86 asp	86 SEi	87 Int	87 asp	Serialnr	Areacode
1	19101-MG9-000	Tank, reserve	1	1	1	1	1								
1	19101-MG9-950	Tank, reserve						1	1	1	1	1	1		
2	19102-MG9-000	Tube, level	1	1	1	1	1	1	1	1	1	1	1		
3	19103-MB9-000	Joint, tube	1	1	1	1	1	1	1	1	1	1	1		
4	19104-MB0-700	Cap, reservetank	1	1	1	1	1	1	1	1	1	1	1		
5	87507-MB4-670	Label, reserve tank				1	1	1	1	1	1	1	1		
5	87507-431-620	Label, reserve tank (french)					1	1							CH
6	90129-463-770	Collar, reflector setting	1	1	1	1	1	1	1	1	1	1	1		
7	95002-02120	Clip B12, tube	4	4	4	4	4	4	1	1	1	1	1		
8	95002-02130	Clip B12.5, tube							3	3	3	3	3		
9	95002-80000	Clip C12, tube							1	1	1	1	1		

10	95003-19093-10	Tube, vinyl, 7x11x930	1	1	1											
10	95003-19100-10	Tube, vinyl, 7x11x1000				1	1	1	1	1	1	1	1			
11	95005-80290-30	Tube, 8x290	1	1	1	1	1									
11	95005-80250-30	Tube, 8x250						1	1	1	1					
11	95005-80280-20	Tube, 8x280												1		
11	95005-80250-20	Tube, 8x250											1			
12	95700-06012-08	Bolt, flange, 6x12	1	1	1	1	1	1								
12	95700-06014-08	Bolt, flange, 6x14							1	1	1	1	1			



Nr	Partnr	Description	84 Std	84 Int	84 asp	85 Int	85 asp	85 Ltd	86 Int	86 asp	86 SEi	87 Int	87 asp	Serialnr	Areacode
1	40515-413-000	Collar, chain case	2	2	2	2	2	2	2	2	2	2	2		
2	50603-033-000	Pin, step bar joint	2	2	2	2	2	2	2	2	2	2	2		
3	50612-MG9-000	Bar comp., R. Step	1	1	1	1	1	1	1	1	1	1	1		
4	50617-300-670	Spring, R. Step return	1	1	1	1	1	1	1	1	1	1	1		
5	50618-MB0-000	Slider, step	2	2	2	2	2	2							
5	50618-MB1-000	Slider, step							1	1	1	1	1		
5	50618-MF5-000	Slider, step							1	1	1	1	1		
6	50619-MB1-000	Stopper, step rubber	2	2	2	2	2	2	2	2	2	2	2		
7	50630-MG9-000	Bracket, R. Step	1	1	1	1	1	1	1	1	1				
7	50630-MG9-010	Bracket, R. Step										1	1		
8	50635-MG9-000	Step assy., R. Main	1	1	1	1	1	1							
8	50635-ML8-000	Step assy., R. Main							1	1	1				
8	50635-ML8-010	Step assy., R. Main										1	1		
9	50640-MG9-000	Bracket, L. Step	1	1	1	1	1	1	1	1	1	1	1		
10	50642-MG9-000	Bar comp., L. Step	1	1	1	1	1	1	1	1	1	1	1		
11	50644-300-670	Spring, L. Step return	1	1	1	1	1	1	1	1	1	1	1		
12	50645-MG9-000	Step assy., L. Main	1	1	1	1	1	1							

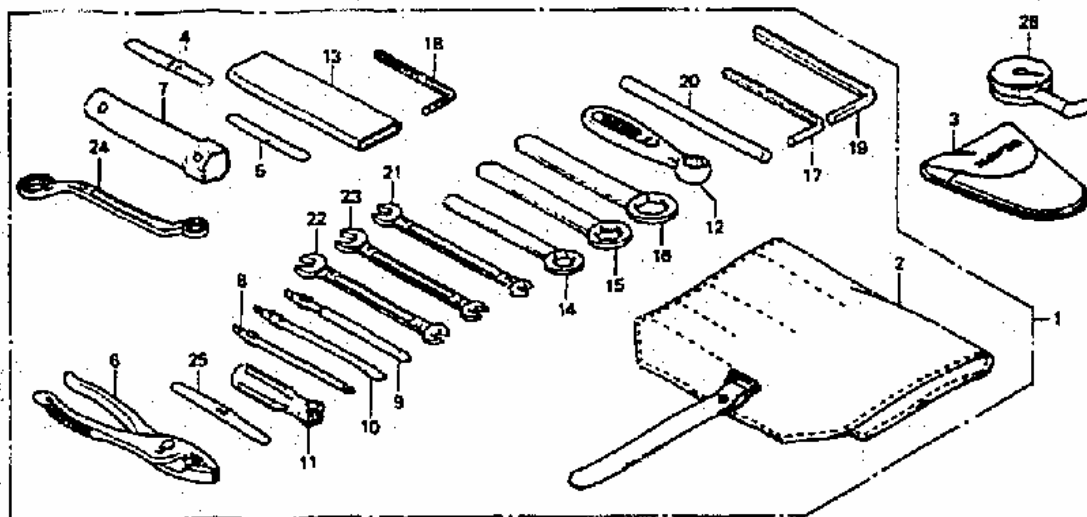
12	50645-ML8-000	Step assy., L. Main							1	1	1	1	1		
13	50661-MB1-000	Rubber, main step	2	2	2	2	2	2	2	2	2	2	2		
14	50710-MG9-870	Holder assy., R. Step			1		1	1							
14	50710-ML8-770	Holder assy., R. Step								1	1		1		
15	50713-MB1-000	Rubber, pillion step	2	2		2			2				2		
16	50714-MB1-000	Washer, pillion step	2	2		2			2				2		
17	50714-371-660	Pin b, pillion step	2	2		2			2				2		
18	50715-MB9-780	Bar, R. Pillion step	1	1		1			1				1		
19	50715-MG9-870	Holder, R. Step			1		1	1							
19	50715-ML8-770	Holder, R. Step								1	1		1		
20	50716-MG9-870	Plate, R. Step			1		1	1		1	1		1		
21	50718-MB9-780	Bar, L. Pillion step	1	1		1			1				1		
22	50718-MG9-870	Rubber, R. Pillion step			1										
22	50718-MG9-871	Rubber, R. Pillion step					1	1		1	1		1		
23	50719-MG9-870	Spring, pillion step			2		2	2		2	2		2		
24	50728-MG9-870	Rubber, L. Pillion step			1										
24	50728-MG9-871	Rubber, L. Pillion step					1	1		1	1		1		
25	50810-MG9-870	Holder assy., L. Step			1		1	1							
25	50810-ML8-770	Holder assy., L. Step								1	1		1		
26	50815-MG9-870	Holder, L. Step			1		1	1							
26	50815-ML8-770	Holder, L. Step								1	1		1		
27	50816-MG9-870	Plate, L. Step			1		1	1		1	1		1		
28	50818-MG9-870	Pin, pillion step			2		2	2		2	2		2		
29	50116-MG9-770	Bolt, socket, 8x28			2		2	2		2	2		2		
29	96700-10025-10	Bolt, socket, 10x25								2	2				
29	90117-449-000	Bolt, socket, 10x25											2		
30	90164-	Bolt, socket,								2	2				

	VM0-770	10x40															
30	90116-MG9-870	Bolt, socket, 10x45			1		1	1									
31	90117-MG9-870	Bolt, socket, 10x55			1		1	1									
32	90117-449-000	Bolt, socket, 10x25			2		2	2									
33	90167-371-660	Bracket, pillion step	2	2		2			2			2					
34	92000-06016-0A	Bolt, hex., 6x16	2	2	2	2	2	2	2	2	2	2	2				
35	93893-05012-08	Screw-washer, 5x12			4		4	4		4	4		4				
36	94021-12200-0S	Nut, cap, 12mm	1	1	1	1	1	1	1	1	1	1	1	1			
37	94101-06000	Washer, plain, 6mm	2	2		2			2			2					
38	94101-08000	Washer, plain, 8mm	2	2	2	2	2	2	2	2	2	2	2				
39	94111-12000	Washer, spring, 12mm	2	2	2	2	2	2	2	2	2	2	2				
40	94201-16150	Pin, split, 1.6x15	4	4	2	4	2	2	4	2	2	4	2				
41	94510-10000	Circlip, external, 10mm			2		2	2		2	2		2				
42	95300-12035	Bolt, hex., 12x35	1	1	1												
42	95300-12040	Bolt, hex., 12x40				1	1	1	1	1	1	1	1				
43	95700-10020-00	Bolt, flange, 10x20	2	2		2			2			2					

5	83613-MG9-300ZD	Stripe, L. Side cover *type4*	1															
5	83613-MG9-680ZA	Stripe, L. Side cover *type1* (a.m.)			1													
5	83613-MG9-680ZB	Stripe, L. Side cover *type2* (a.m.)			1													
5	83613-MG9-680ZC	Stripe, L. Side cover *type3* (a.m.)			1													
5	83613-MG9-870ZA	Stripe, L. Side cover *type1*	1															
5	83613-MG9-870ZB	Stripe, L. Side cover *type2*	1															
5	83613-MG9-870ZC	Stripe, L. Side cover *type3*	1															
5	83613-MG9-930ZA	Stripe, L. Side cover *type1* (a.m.)				1												
5	83613-MG9-930ZB	Stripe, L. Side cover *type2* (a.m.)				1												
5	83613-MG9-930ZC	Stripe, L. Side cover *type3* (a.m.)				1												
5	83613-MG9-950ZA	Stripe, L. Side cover *type1* (a.m.)					1											
5	83613-ML8-700ZA	Stripe, L. Side cover *type1* (a.m.)											1					
5	83613-ML8-700ZB	Stripe, L. Side cover *type2* (a.m.)											1					
5	83613-ML8-700ZC	Stripe, L. Side cover *type3* (a.m.)											1					
5	83613-ML8-750ZA	Stripe, L. Side cover *type1* (a.m.)									1							

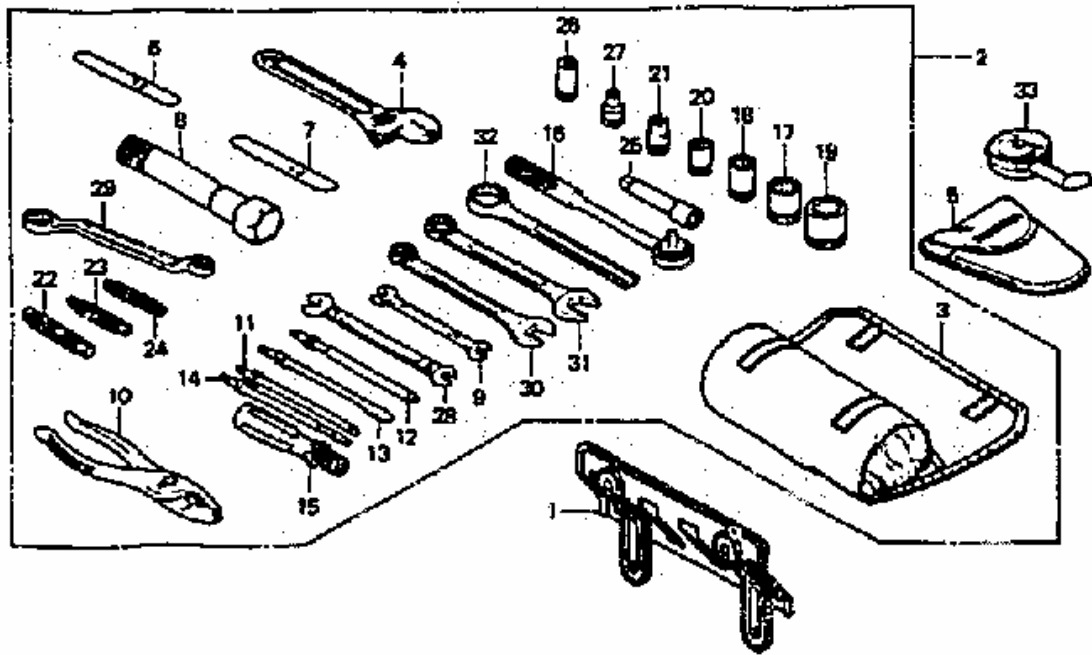
		type3 (a.m.)																	
7	87114- MG9- 770ZA	Stripe, L. Fairing *type1*	1																
7	87114- MG9- 770ZB	Stripe, L. Fairing *type2*	1																
7	87114- MG9- 770ZC	Stripe, L. Fairing *type4*	1																
7	87114- MG9- 870ZA	Stripe, L. Fairing *type1*		1															
7	87114- MG9- 870ZB	Stripe, L. Fairing *type2*		1															
7	87114- MG9- 870ZC	Stripe, L. Fairing *type3*		1															
7	87114- MG9- 930ZA	Stripe, L. Fairing outer *type1* (a.m.)				1													
7	87114- MG9- 930ZB	Stripe, L. Fairing outer *type2* (a.m.)				1													
7	87114- MG9- 930ZC	Stripe, L. Fairing outer *type3* (a.m.)				1													
7	87114- MG9- 950ZA	Stripe, L. Fairing outer *type1* (a.m.)					1												
7	87114- ML8- 700ZA	Stripe, L. Fairing outer *type1* (a.m.)												1					
7	87114- ML8- 700ZB	Stripe, L. Fairing outer *type2* (a.m.)													1				
7	87114- ML8- 700ZC	Stripe, L. Fairing outer *type3* (a.m.)														1			
7	87114-	Stripe, L.														1			

		(a.m.)																
8	87115-MG9-930ZC	Stripe, RR. Trunk *type3* (a.m.)					1											
8	87115-MG9-950ZA	Stripe, RR. Trunk *type1* (a.m.)					1											
8	87115-ML8-750ZA	Stripe, RR. Trunk *type1* (a.m.)								1								
8	87115-ML8-770ZA	Stripe, RR. Trunk *type1* (a.m.)								1								
8	87115-ML8-770ZB	Stripe, RR. Trunk *type2* (a.m.)								1								
8	87115-ML8-770ZC	Stripe, RR. Trunk *type3* (a.m.)								1								
9	87116-MG9-950ZA	Stripe, R. RR. Trunk side *type1* (a.m.)					1											
9	87116-ML8-700ZA	Stripe, R. RR. Trunk side *type1*												1				
9	87116-ML8-700ZB	Stripe, R. RR. Trunk side *type2*												1				
9	87116-ML8-700ZC	Stripe, R. RR. Trunk side *type3*												1				
9	87116-ML8-750ZA	Stripe, R. RR. Trunk side a.m. *type1*								1								
10	87117-MG9-950ZA	Stripe, L. RR. Trunk side *type1* (a.m.)					1											
10	87117-ML8-700ZA	Stripe, L. RR. Trunk side *type1*												1				
10	87117-	Stripe, L.												1				



Nr	Partnr	Description	84 Std	84 Int	84 asp	85 Int	85 asp	85 Ltd	86 Int	86 asp	86 SEi	87 Int	87 asp	Serialnr	Areacode
1	89010-MG9-000	Tool set	1	1		1			1			1			
2	89101-431-671	Bag, tool	1	1		1			1			1			
3	89102-469-003	Bag, air pressure gauge	1	1		1			1			1			
4	89103-MG9-680	Gauge, feeler, 0.8							1			1			
5	89103-371-000	Gauge, feeler, 0.7	1	1		1			1			1			
6	89210-431-670	Pliers, 150	1	1		1			1			1			
7	89211-431-671	Wrench, plug box	1	1		1			1			1			
8	89213-431-670	Driver 2, plus screw	1	1		1			1			1			
9	89214-431-670	Driver 3, plus screw	1	1		1			1			1			
10	89215-431-670	Driver 2, minus screw	1	1		1			1			1			
11	89216-431-670	Grip	1	1		1			1			1			
12	89217-MB9-000	Wrench, eye, 14	1	1		1			1			1			
13	89217-431-670	Handle, eye wrench, 120mm	1	1		1			1			1			
14	89218-MB9-870	Wrench, eye, 17mm							1			1			
14	89218-431-670	Wrench, eye, 17mm	1	1		1									
15	89219-431-670	Wrench, eye, 19	1	1		1			1			1			
16	89220-MG9-000	Wrench, eye, 27mm	1	1		1			1			1			

17	89221-371-000	Wrench, hex., 6mm	1	1		1			1			1			
18	89221-429-000	Wrench, hex., 5mm	1	1		1			1			1			
19	89222-371-000	Wrench, hex., 8mm	1	1		1			1			1			
20	89223-431-670	Bar a, handle	1	1		1			1			1			
21	89224-431-670	Spanner, 8x12	1	1		1			1			1			
22	89225-431-670	Spanner, 10x12	1	1		1			1			1			
23	89226-431-670	Spanner, 10x14	1	1		1			1			1			
24	89227-431-670	Wrench, eye, 10x12	1	1		1			1			1			
25	89231-463-000	Lever, driver	1	1		1			1			1			
26	89301-463-771	Gauge, air pressure	1	1		1			1			1			



Nr	Partnr	Description	84 Std	84 Int	84 asp	85 Int	85 asp	85 Ltd	86 Int	86 asp	86 SEi	87 Int	87 asp	Serialnr	Areacode
1	81225-MG9-870	Plate, tool setting			1	1	1		1	1		1			
2	89010-MG9-870	Tool set			1	1				1			1		
2	89010-MG9-950	Tool set					1								
2	89010-ML8-750	Tool set									1				
3	89101-MB9-870	Bag, tool			1	1			1	1			1		
3	89101-MG9-950	Bag, tool					1								
4	89102-MB9-870	Wrench, monkey			1	1	1		1	1			1		
5	89102-469-003	Bag, air pressure gauge			1	1	1		1	1			1		
6	89103-MG9-680	Gauge, feeler, 0.8							1	1			1		
7	89103-371-000	Gauge, feeler, 0.7			1	1	1		1	1			1		
8	89210-371-980	Wrench, plug box, 18.5			1	1	1								
8	89216-MB9-870	Wrench, box, 18.5							1	1			1		
9	89224-MB9-870	Spanner, 8x7			1	1	1		1	1			1		
10	89231-MB9-870	Pliers, 170			1	1	1		1	1			1		
11	89232-MB9-870	Driver 2, plus screw								1	1		1		
11	89232-371-	Driver 2, plus			1	1	1								

	980	screw																	
12	89233-MB9-870	Driver 3, plus screw							1	1			1						
12	89233-371-980	Driver 3, plus screw			1		1	1											
13	89234-MB9-870	Driver 2, minus screw								1	1			1					
13	89234-371-980	Driver 2, minus screw			1		1	1											
14	89235-MB9-870	Driver 1, minus screw			1		1	1		1	1			1					
15	89236-MB9-870	Grip, driver								1	1			1					
15	89236-371-980	Grip, driver			1		1	1											
16	89240-MB9-870	Handle, ratchet								1	1			1					
16	89240-371-980	Handle, ratchet			1		1	1											
17	89241-MB9-870	Wrench, socket, 17mm			1		1	1		1	1			1					
18	89241-371-380	Wrench, socket, 14mm			1		1	1		1	1			1					
19	89241-MB9-870	Wrench, socket, 19mm			1		1	1		1	1			1					
20	89242-371-980	Wrench, socket, 12mm			1		1	1		1	1			1					
21	89243-371-980	Wrench, socket, 10mm			1		1	1		1	1			1					
22	89244-371-980	Wrench, hex., 8			1		1	1		1	1			1					
23	89245-371-980	Wrench, hex., 6			1		1	1		1	1			1					
24	89246-MG9-870	Wrench, hex., 5mm			1		1	1		1	1			1					
25	89246-371-980	Bar, extension			1		1	1		1	1			1					
26	89247-371-980	Adapter			1		1	1		1	1			1					
27	89248-MB9-870	Wrench, socket, 8mm			1		1	1		1	1			1					
28	89250-MB9-870	Spanner, 10x12								1	1			1					
28	89250-371-960	Spanner, 10x12			1		1	1											
29	89252-MB9-870	Wrench, eye, 10x12								1	1			1					
29	89252-371-980	Wrench, eye, 10x12			1		1	1											
30	89253-MB9-870	Wrench, eye, 14mm			1		1	1		1	1			1					
31	89254-MB9-870	Wrench, spanner & eye, 17			1		1	1		1	1			1					

32	89255-MG9-870	Wrench, eye, 27mm			1		1	1		1	1		1		
33	89301-463-771	Gauge, air pressure			1		1			1			1		
33	89301-MG9-951	Gauge, air pressure						1				1			

Modelcode	Year	Areacode	Engineno From	Engineno To	Frameno From	Frameno To
GL1200A	1984	A	SC14E-2400107	SC14E-2436841	SC142-EA002273	SC142-EA034452
GL1200A	1984	AC	SC14E-2400107	SC14E-2435673	SC145-EA010863	SC145-EA033837
GL1200A	1984	CM	SC14E-2414307	SC14E-2432616	SC142-EA010268	SC142-EA030262
GL1200A	1984	E	SC14E-2404201	SC14E-2435223	SC14-6000216	SC14-6001265
GL1200A	1984	ED	SC14E-2404201	SC14E-2435223	SC14-6000496	SC14-6001985
GL1200A	1984	F	SC14E-2404201	SC14E-2435223	SC14-6000356	SC14-6002210
GL1200A	1984	SW	SC14E-2404201	SC14E-2435223	SC14-6000136	SC14-6001355
GL1200A	1984	U	SC14E-2404201	SC14E-2435223	SC14-6001266	SC14-6001285
GL1200D	1984	E	SC14E-2420899	SC14E-2433696	SC14-4000316	SC14-4002045
GL1200D	1984	ED	SC14E-2420899	SC14E-2433696	SC14-4000656	SC14-4001670
GL1200D	1984	F	SC14E-2420899	SC14E-2433696	SC14-4000106	SC14-4002120
GL1200D	1984	G	SC14E-2420899	SC14E-2433696	SC14-4000556	SC14-4002030
GL1200D	1984	SW	SC14E-2420899	SC14E-2433696	SC14-4001416	SC14-4001780
GL1200E	1984	A	SC14E-2400107	SC14E-2416951	SC140-EA000101	SC140-EA022728
GL1200E	1984	AC	SC14E-2500107	SC14E-2425411	SC143-EA010373	SC143-EA022588
GL1200E	1984	CM	SC14E-2402896	SC14E-2403357	SC140-EA005048	SC140-EA010582
GL1200I	1984	A	SC14E-2400107	SC14E-2436591	SC141-EA000118	SC141-EA034654
GL1200I	1984	AC	SC14E-2400107	SC14E-2435133	SC144-EA010761	SC144-EA032091
GL1200I	1984	CM	SC14E-2414667	SC14E-2432256	SC141-EA010023	SC141-EA030328
GL1200A	1985	A	SC14E-2500008	SC14E-2527164	SC142-FA102502	SC142-FA126301
GL1200A	1985	AC	SC14E-2500207	SC14E-2514354	SC145-FA100116	SC145-FA114611
GL1200A	1985	CM	SC14E-	SC14E-	SC142-	SC142-

			2510484	2521939	FA108199	FA120151
GL1200A	1985	E	SC14E-2505144	SC14E-2524781	SC14-6100101	SC14-6100294
GL1200A	1985	IT	SC14E-2505144	SC14E-2524781	SC14-6100385	SC14-6100919
GL1200A	1985	SW	SC14E-2518603	SC14E-2520521	SC14-6100295	SC14-6100779
GL1200D	1985	E	SC14E-2507239	SC14E-2522938	SC14-4100103	SC14-4100819
GL1200D	1985	ED	SC14E-2507239	SC14E-2522938	SC14-4100495	SC14-4100769
GL1200D	1985	G	SC14E-2507239	SC14E-2522938	SC14-4100135	SC14-4100819
GL1200D	1985	IT	SC14E-2507239	SC14E-2522938	SC14-4100104	SC14-4100574
GL1200D	1985	SD	SC14E-2507239	SC14E-2522938	SC14-4100665	SC14-4100889
GL1200D	1985	SW	SC14E-2517117	SC14E-2519497	SC14-4100150	SC14-4100494
GL1200I	1985	A	SC14E-2500006	SC14E-2525763	SC141-FA101553	SC143-FA126181
GL1200I	1985	AC	SC14E-2500025	SC14E-2514675	SC141-FA100101	SC143-FA101790
GL1200I	1985	CM	SC14E-2510481	SC14E-2520220	SC141-FA108795	SC141-FA117366
GL1200L	1985	A	SC14E-2500015	SC14E-2526989	SC146-FA101976	SC146-FA126016
GL1200L	1985	AC	SC14E-2503877	SC14E-2518759	SC147-FA109309	SC147-FA116616
GL1200L	1985	CM	SC14E-2512533	SC14E-2526210	SC146-FA109309	SC146-FA123826
GL1200A	1986	A	SC14E-2610002	SC14E-2628642	SC142-GA200536	SC142-GA223967
GL1200A	1986	AC	SC14E-2610020	SC14E-2627502	SC145-GA200116	SC145-GA216300
GL1200I	1986	A	SC14E-2610010	SC14E-2628680	SC141-GA200106	SC141-GA223917
GL1200I	1986	AC	SC14E-2610001	SC14E-2627607	SC144-GA200101	SC144-GA218115
GL1200I	1986	CM	SC14E-	SC14E-	SC141-GA2	SC141-GA2
GL1200S	1986	A	SC14E-2610676	SC14E-2624952	SC146-GA202331	SC146-GA220355
GL1200S	1986	AC	SC14E-2610664	SC14E-2616477	SC147-GA200991	SC147-GA212875
GL1200A	1987	A	SC14E-	SC14E-	SC142-	SC142-

			2710009	2721339	HA300101	HA309605
GL1200A	1987	AC	SC14E-2710003	SC14E-2721400	SC145-HA300105	SC145-HA310080
GL1200I	1987	A	SC14E-2710011	SC14E-2721396	SC141-HA300106	SC141-HA310085
GL1200I	1987	AC	SC14E-2716254	SC14E-2721397	SC144-HA305401	SC144-HA310325
GL1200I	1987	CM	SC14E-	SC14E-	SC141-HA3	SC141-HA3