

HONDALINE

CB TRANSCEIVER KIT FOR GL1200

Installation Manual

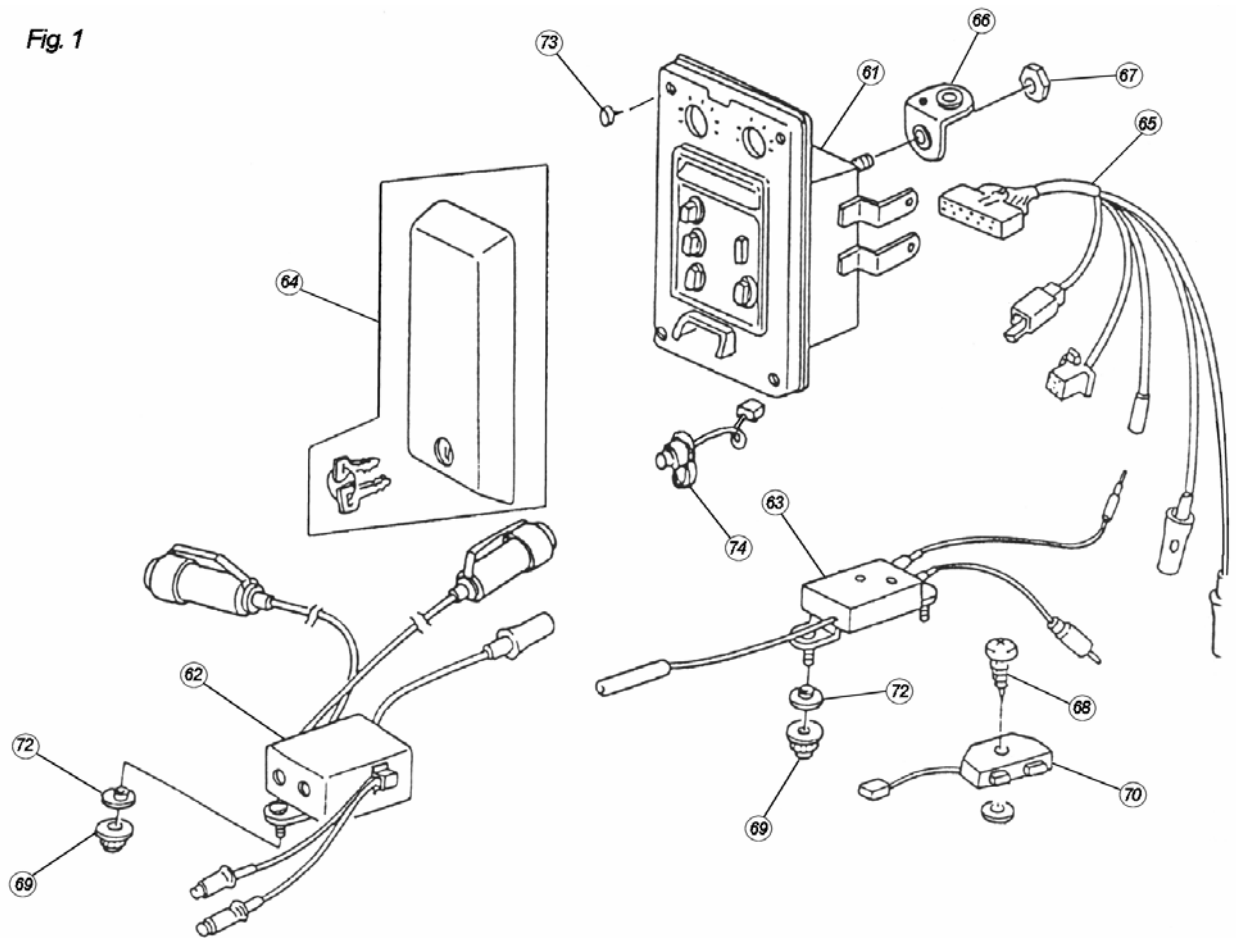
The **HONDALINE** Type III Radio & Cassette Deck has all of the advantages without compromises.

Now available is a CB Radio for use with the Type III unit. To use the CB Radio, it is necessary to purchase the extension kit.

NOTE: This fairing is designed for use only on the GL1200A motorcycle

Index No.	Part Name	Q'ty
61	CB Transceiver assy.	1
62	Component, terminal	1
63	Distributor, ant.	1
64	Cover assy.	1
65	Transceiver harness	1
66	Stay assy., auto vol.	1
67	Nut, hex., 5 mm	1
68	Screw, tapping 3x54 mm	1
69	Nut, hex., cap 5 mm	4
70	CB handlebar switch	1
72	Washer, number brkt. Set	4
73	Cap, socket bolt 5 mm	4
74	OW. CB, passenger	1
75	Installation DWG	1
76	Owner's Instl.	1
77	Collar, radio SW.	1

Fig. 1

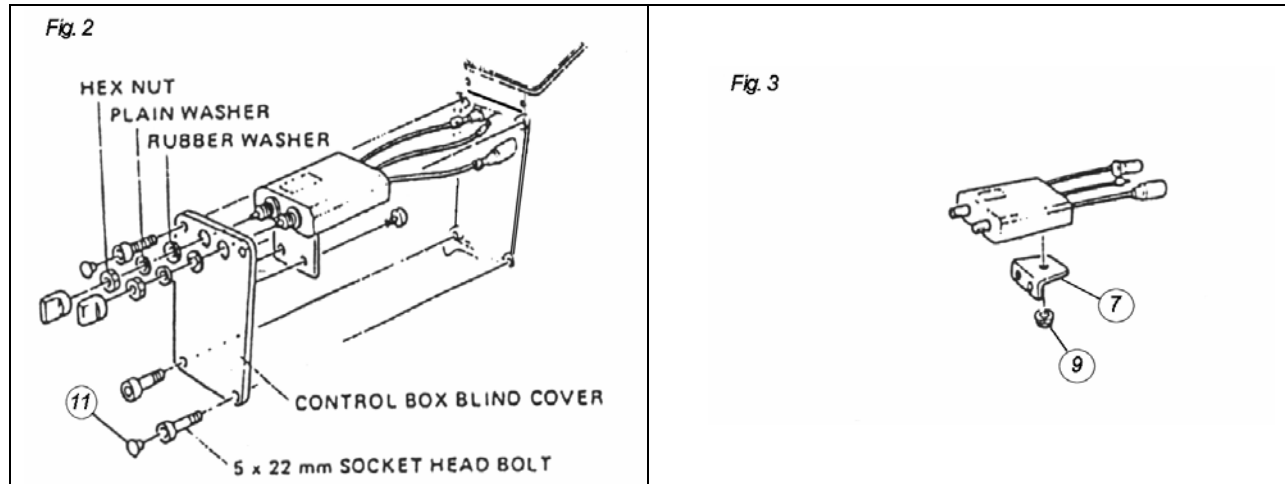


PRECAUTIONS

The descriptions are based on the motorcycle already equipped with the Type III radio. And references are to be made to the instructions furnished with the radio.

INSTALLATION

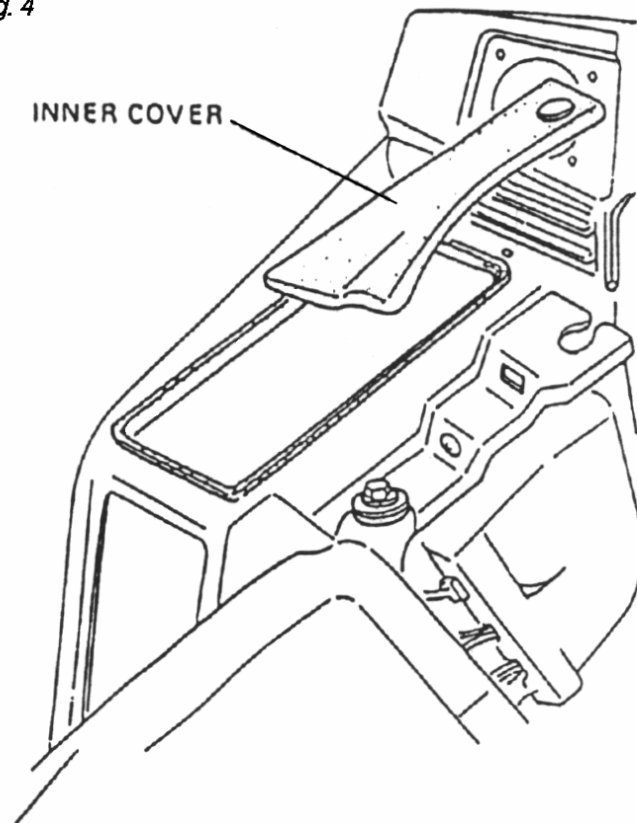
- 1) Remove the right and left side covers.
Disconnect the battery negative cable from the battery negative terminal.
- 2) Remove the left fairing pocket.



- 3) Remove the Auto volume control unit.
 - 1 Remove the CB blind cover from the fairing by removing the four 5 x 22 mm socket head bolts. (Fig. 2)
Disconnect the three wire connectors of the auto volume unit. (Fig. 3)
 - 2 Remove the two 4 x 12mm tapping screws and remove the knob and nut from the auto volume control unit. (Fig. 1)
 - 3 Remove the bracket from the auto volume control unit.

NOTE: Discard the CB blind cover, 4 x 22mm tapping screws, and bracket.
- 4) Remove the seat.

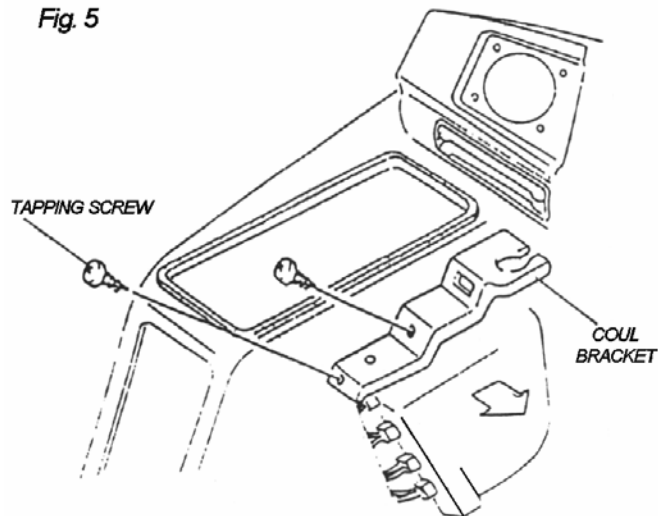
Fig. 4



5) Remove the shelter.

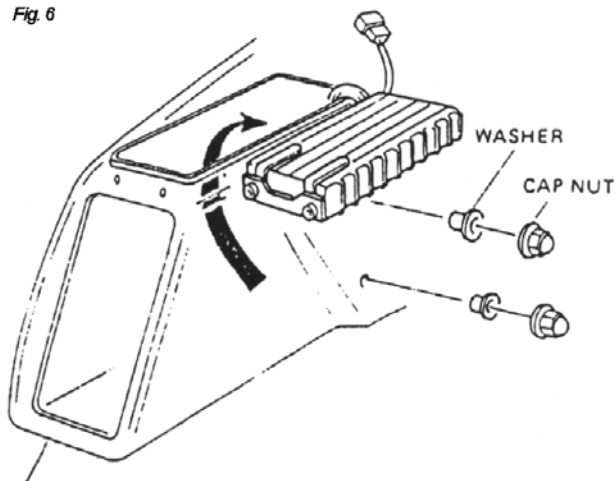
NOTE: To remove the front of the shelter, it is necessary to remove the inner cover by lifting the rear of the cover.

Fig. 5



6) Remove the two tapping screws attaching the left coupler cover and move the holder towards the center.

Fig. 6



7) Remove the main amplifier.

- 1 Disconnect the main amplifier 2-P black connector.
- 2 Straighten the four wire clamps at the main amplifier to release the harnesses.
- 3 Remove the two nuts and washers holding the main amplifier; pull the amplifier out between the left fairing pocket and handlebar by pulling up on the bottom.

8) Connect the two DIN connectors if the transceiver harness (65) to the terminal component (62) color-to-color (Fig. 7).

9) Remove the seals from the terminal component mounts inside the fairing. Position the terminal component (62) on the mounts and install using cap nuts (69) and washers (72).

NOTE: Use care when installing the terminal component (62) not to push in the audio harness, CB harness and terminal component harness into the fairing pocket.

Fig. 7

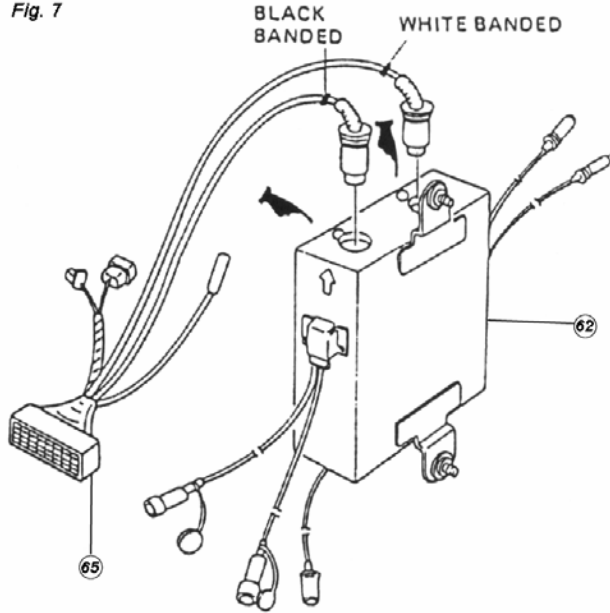
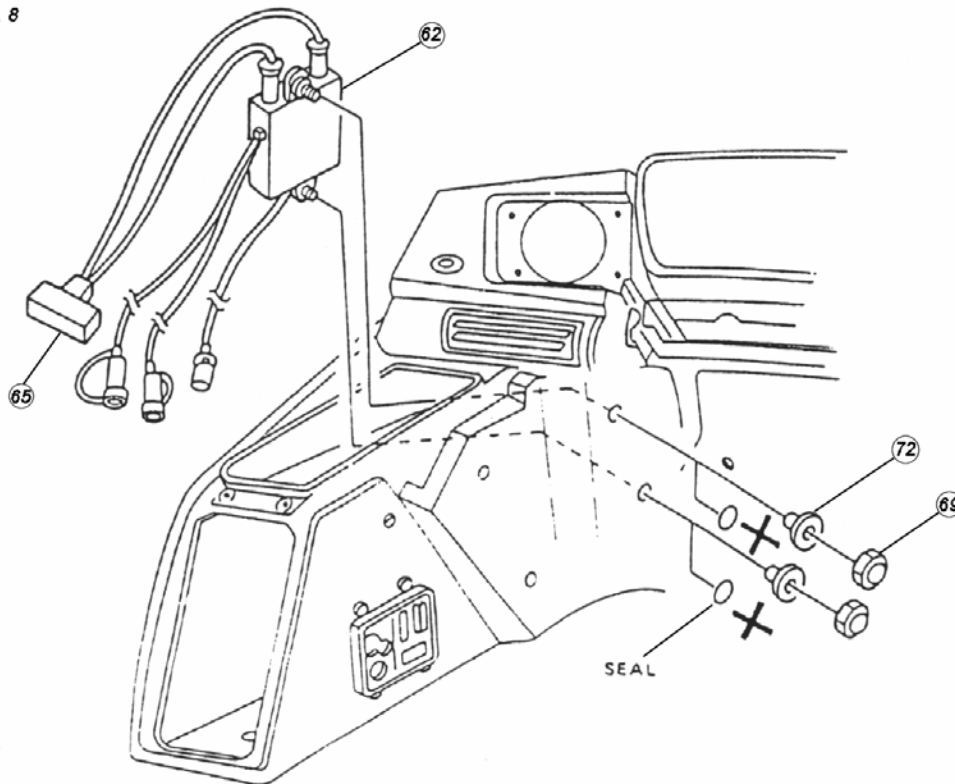


Fig. 8



10) Reinstall the main amplifier.

11) Connect the terminal component (62) and main amplifier as follows:

- 1 Connect the red banded DIN connector from the bottom of the terminal component (62) to the red banded DIN connector from the bottom of the main amplifier.

12) Return the antenna feeder back into the fairing.

Fig. 9

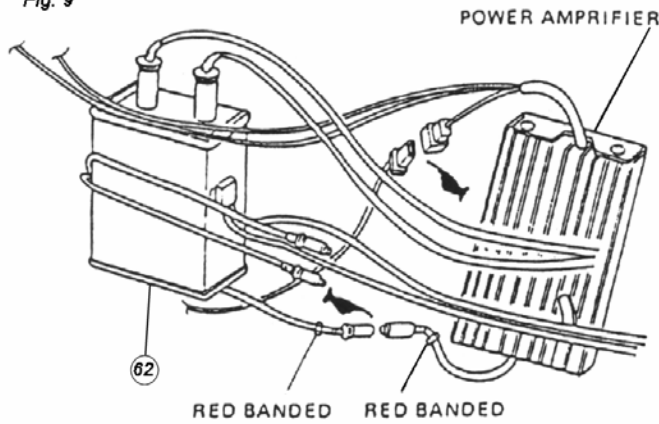


Fig. 10

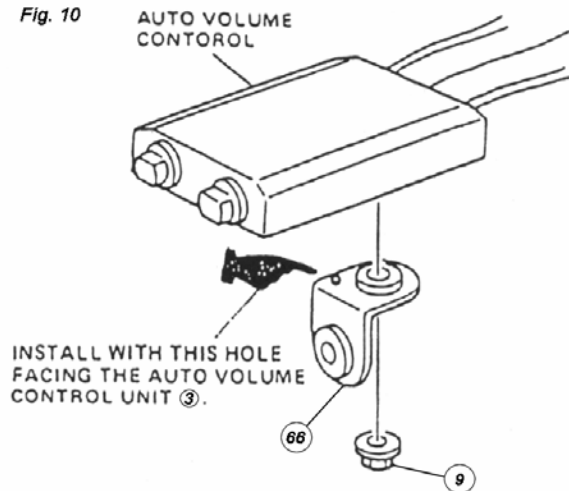
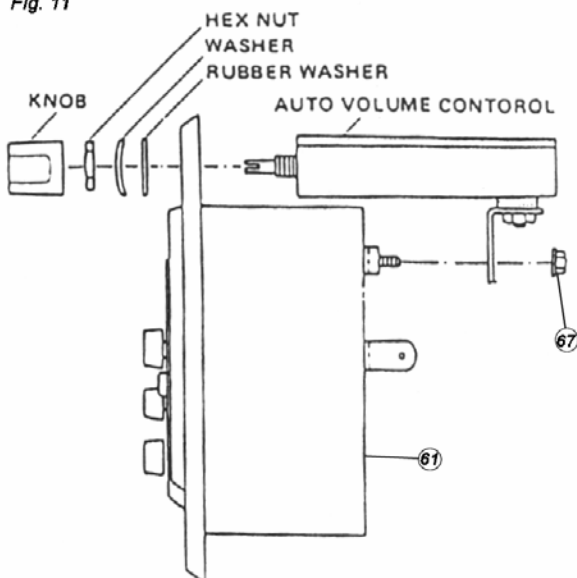


Fig. 11

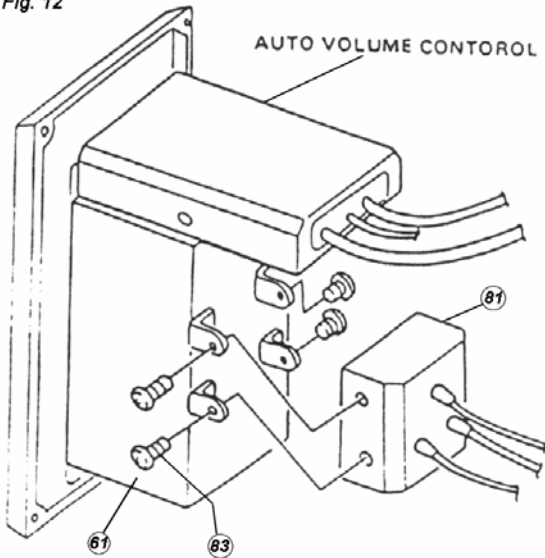


13) Install auto volume control unit and junction box (81) on the transceiver (61).

-1 Position the bracket (66) on the auto volume control unit and install using the 5mm flange nut. Do not over tighten at this time.

-2 Position the auto volume control unit on the transceiver (61) and install using the 5mm nuts (67). Tighten the nuts securely. Discard the bracket (88) and 4 x 16mm bolts (82).

Fig. 12



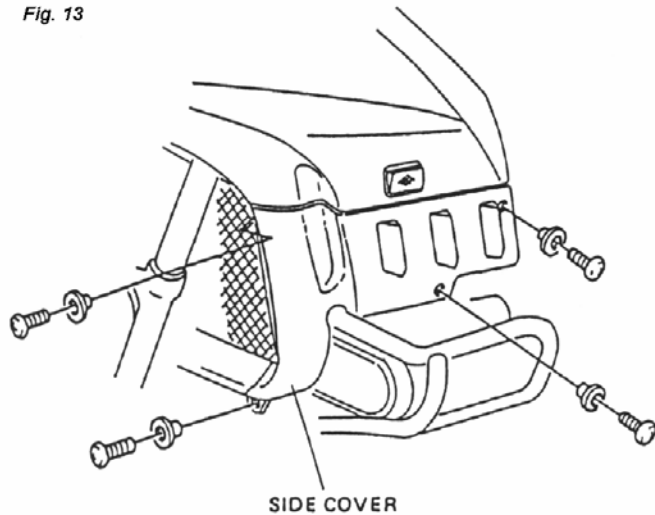
14) Install the antenna distributor (63)

-1 Remove the left under cowling (Fig. 13)

-2 Install the distributor (63) using the 5mm cap nuts (69) and washers (72).

-3 Reinstall the left under cowling.

Fig. 13



16) Arrange and clamp the wire harnesses and cables as follows:

- 1 Arrange the two wires whose DIN connectors were connected to the terminal component (62) and two antenna feeder wires on top of the main amplifier and secure with the wire clamp.
- 2 Store the remaining harnesses and cables under the amplifier and secure with bottom clamps.

NOTE: The left pocket may not be installed if the harnesses and cables are not stored properly.

17) Install the CB switch.

- 1 Remove the 3 x 34mm tapping screw attaching the radio switch. Referring to Fig. 16, install the CB HANDLEBAR switch (70) and spacer (77) with the 3 x 54mm tapping screw (68).

NOTE: Discard the 3 x 34mm tapping screws.

- 2 Route the switch wires as shown in Fig. 16 and 17.

NOTE: After attaching the wires to the handlebar and frame, check that they are not pulled taut in all steering positions. Turn the handlebar to the extreme right when securing the harnesses and cables with the wire bands shown in Fig. 18.

- 3 Connect the CB switch coupler to the brown coupler at the top of the coupler holder. Install the coupler holder and connector cover.

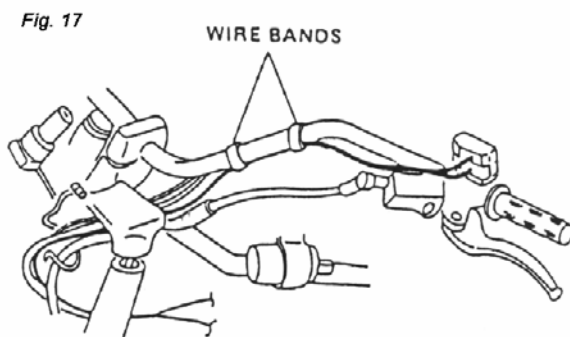
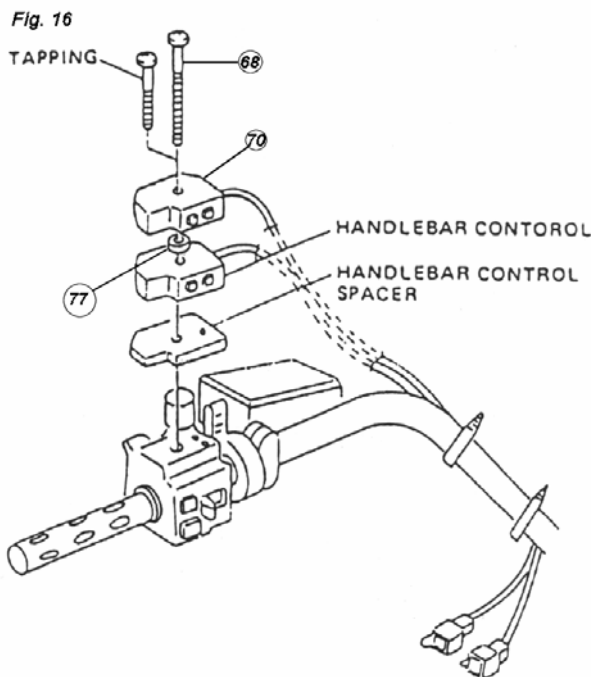
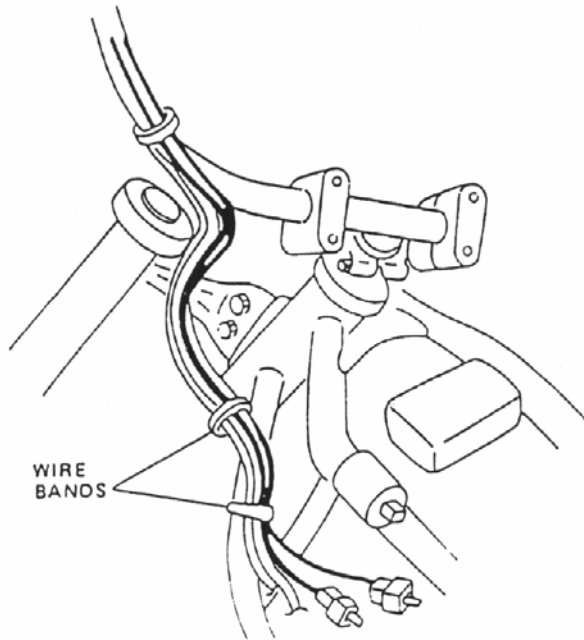


Fig. 18



- 18) Connect the DIN connector (B) (Fig. 15) of the terminal component (62) to the extension harness (84) and route the harness along the motorcycle's main harness to the underside of the passenger seat.
- 19) Route the DIN connector (A) of the terminal component (62) (Fig. 15) under the coupler holder as shown in Fig. 20; Install the grommet and headset harness (87)
- 20) Install the passenger CB switch (74) on the rear trunk stay grip and connect the coupler to the 2-P brown connector under the passenger seat.
- 21) Check operation of each component as follows:
 - 1 Check that the wire harnesses and cables are routed properly and are not pinched, twisted or pulled taut in all steering positions.
 - 2 Check that the radio is secure in its mount and that it can be removed and installed easily with the key.
 - 3 Connect the battery negative cable to the battery negative terminal.
 - 4 With the ignition switch in the ACC position, turn on the radio and cassette deck for proper operation.
 - 5 Recheck the harness and cable routings if there is any abnormality.

Fig. 19

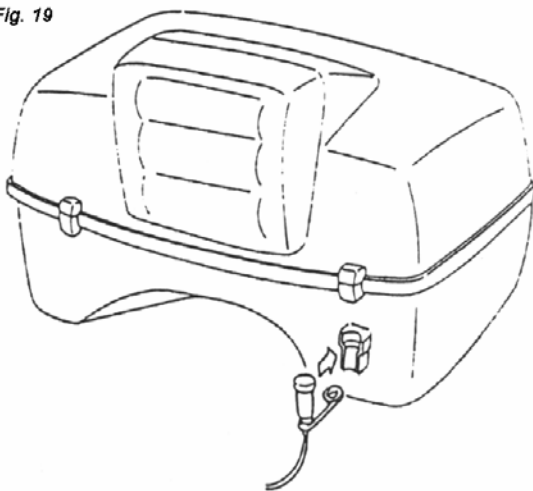
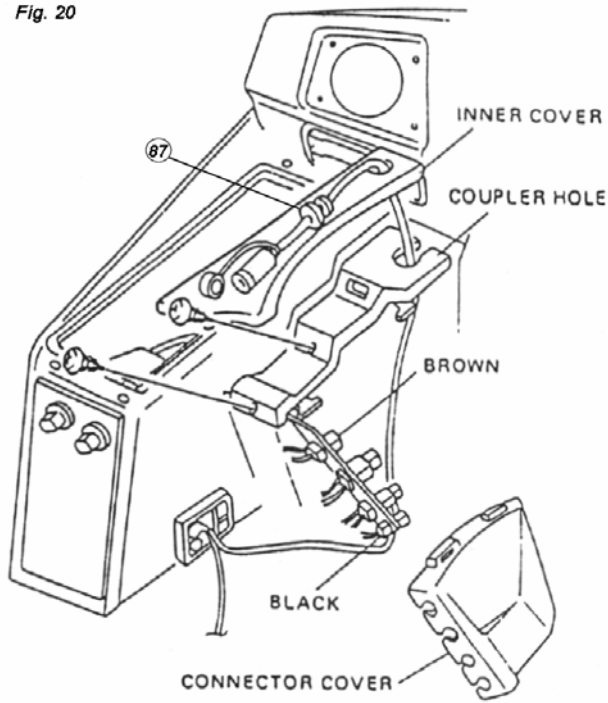


Fig. 20



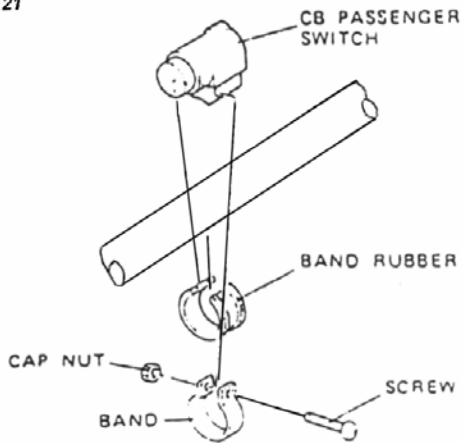
22) Check all bolts, nuts, screws and other fasteners for security. Retighten if necessary.

23) Install the left fairing pocket.

NOTE: Re-arrange and secure the harnesses with the harness clamp on the main amplifier, if difficulty is encountered in the installing the pocket in the fairing.

24) Install the shelter, seat, and side covers.

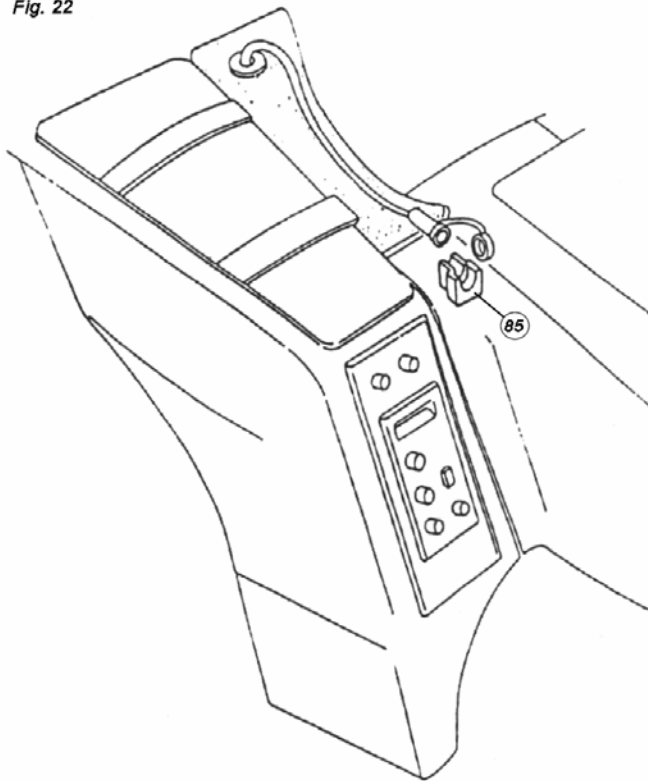
Fig. 21



25) Install the inner cover.

NOTE: Follow all safety notes and precautions described in the owner's manual and caution label in the back of the case.

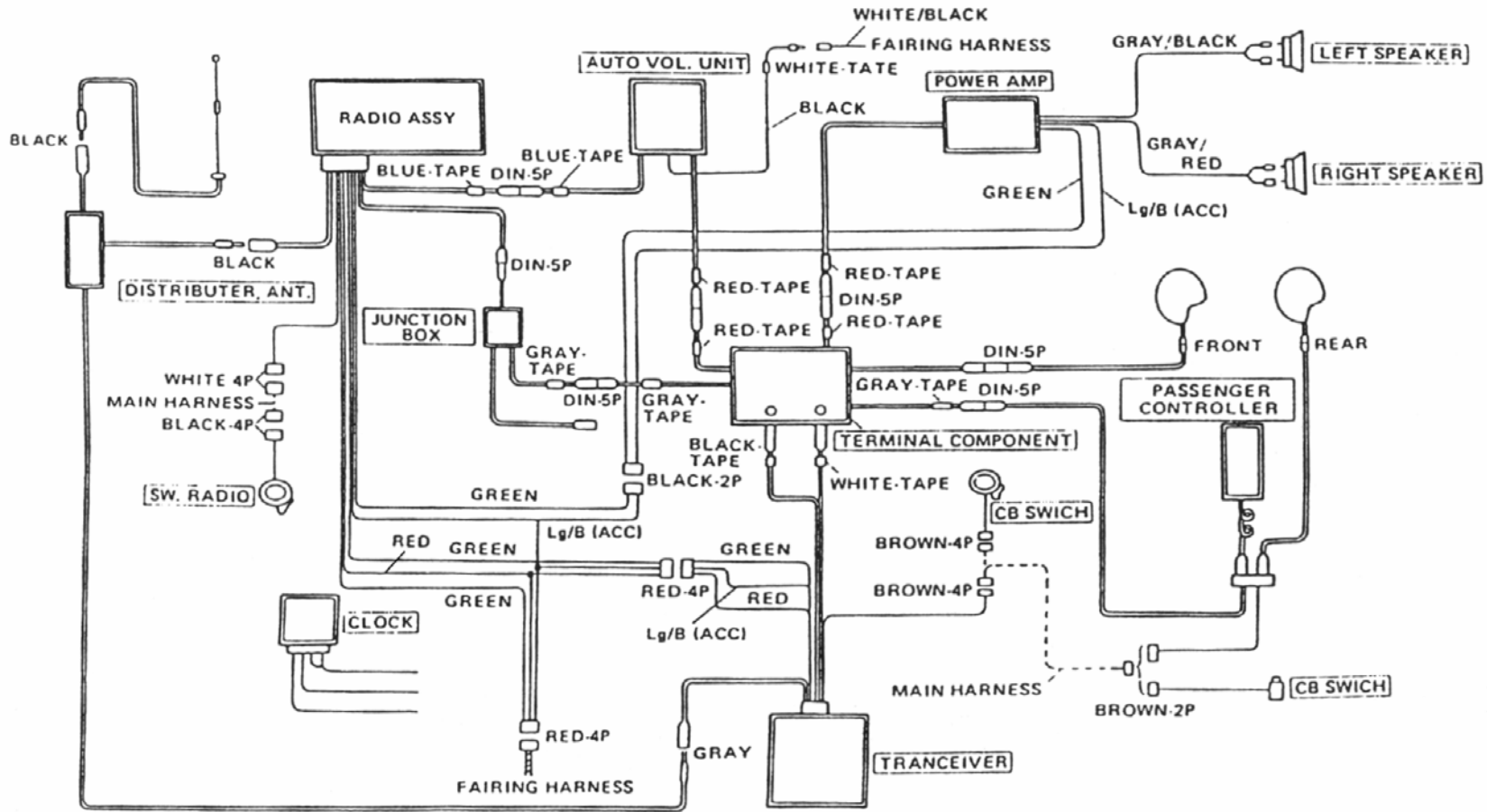
Fig. 22



HANDLING PRECAUTIONS

- Use only the handlebar switches while riding.
- Before riding, make sure that the radio is locked in its mount securely.
- The radio transceiver and cassette are precision equipment. When washing the motorcycle, use extreme care not to allow water to enter the equipment or their mounts.
- Follow all safety and other notes and precautions described in the owners manuals.
- Do not bring a magnet or metal parts or tools such as screwdrivers and wrenches close to the cassette deck heads or tapes.
- Remove the tape cassette from the deck and store in a safe place when the motorcycle is to be left standing for a long period of time.

Fig. 23



goldwingdocs.com

Fig. 24

