

# **HONDA GOLDWING**

**GL1500I '94 '95**

**GL1500A '94 '95**

**GL1500SE '94 '95**

## **PARTS MANUAL**

BEST VIEW 1024 BY 768 PIXELS

**CDS ORDER**

## HOW TO USE THIS CATALOG

This parts catalog is to be used when ordering replacement parts for the model (s) specified on the microfiche title strip.

**CATALOG PAGE BREAKDOWN**

MODEL(S)	MODEL APPLICATION							AREA CODE	ENGINE SERIAL NUMBER		QTY REQ	PART NUMBER	HONDA CODE			
	1984	1985	1986	1987	1988	1989	1990		FROM	TO						
Ref. No.	BLOCK NO.	E-1														
1	2	3a										6	7	8		
Ref. No.	DESCRIPTION		4	5	6	7	4	5	6	7		FROM	TO		PART NUMBER	HONDA CODE

**1. Ref No.**—Reference number corresponding with the reference numbers on the illustrations.  
\* All illustrations are representative only and do not necessarily correspond exactly to the actual part. "NI" signifies the part is not illustrated.

**2. DESCRIPTION**—Describes the part for the related part number.  
Abbreviations:  

ASSY.	-Assembly	L (100L)	-Link (100 Links)
COMP.	-Complete	A.C.	-Alternating Current
R.	-Right		
L.	-Left	D.C.	-Direct Current
STD.	-Standard	IN.	-Inlet
MM	-Millimeter	EX.	-Exhaust
G	-Gram	FR.	-Front
T (22T)	-Tooth	RR.	-Rear
(22 Teeth)		HEX.	-Hexagonal
A	-Ampere	A.M.	-Attaching Mark
V	-Volt	T.M.	-Transcript Mark
W	-Watt	C.D.I.	-Capacitive Discharge Ignition
KPH	-Kilometer Per Hour	WL	-With Labelling
MPH	-Miles Per Hour	WOL	-Without Labelling

**Decision for 'R' or 'L'.**  
'R' or 'L' in the description of a part stands for the Right hand side or the Left hand side which is decided by the forward direction of travel of the vehicle.

**3. Model Application**—Model application for the various models listed within the catalog. Single model applications will not require this section.

**3a. Model Year Guide**—A guide to the part application (prior to 1976 the guide reference is the model designation i.e. K0, K1 etc... For 1976 and above the guide reference is the last digit of the model year i.e. 1976=6; 1977=7; 1985=5 etc...)

**4. AREA CODE**—Area codes for parts that are unique to a particular area. Area codes are defined in the Serial Number application chart when applicable. This column will not be used in catalogs which do not include unique area codes.

**5. SERIAL NUMBER**—Applies to Engine or Frame serial numbers depending on the section.  
The serial number of the vehicle (frame, engine, carburetor) should be checked prior to ordering parts for a specific unit.  
In cases where a part has been modified, the serial number of the vehicle bearing the modification is listed in the 'SERIAL NUMBER' column.  
The modification parts are controlled by each pertinent serial number below:  
**Engine serial number**—Engine group parts (Block numbers beginning with 'E').  
**Carburetor identification number**—Carburetor component parts.  
**Frame serial numbers**—Frame group parts (Block numbers beginning with 'F').  
 Serial number application chart and Serial number locations are provided.

Note: Some models may be controlled by one serial number only.

## HOW TO USE THIS CATALOG

6. **QTY REQ**—Quantity required per unit as specified.  
A. "N" in place of the quantity indicates AS REQUIRED.  
B. "( )" by the quantity required indicates "optional".
7. **PART NUMBER**—Part number corresponding to the reference numbers and application. Several part numbers may be listed under one (1) reference number. For your convenience the current supersede chain, as of print date, has been listed for you. Supersede chains are subject to change without notice.

### MAKE-UP OF PART NUMBERS

All parts are classified into two groups consisting of "GENERAL PARTS" and "STANDARD PARTS". All parts are numbered in accordance with system described below:

#### General Parts

Example: Fork comp. Part No. ....51105-GR1-700ZA  
Function No. ....51  
Component No. ....105  
Parts Classification No. ....-GR1-  
Classification No. ....700  
\*Color Code .....ZA

#### Standard Parts

Example: 8 x 18 Hex., Bolt Part No.92000-08018-1A  
Function No. ....92  
Type No. ....000  
Dimensions .....-08018-  
ISO Standard Designation.....1  
Chemical Surface Treatment.....A

\*The color code at the end of a General Part's part number indicate the color. However, color codes such as ZA, ZB, ZC onward except ZZ, do not indicate the color directly but refer to the notes "\* \* \*" in the Description Column of this Parts Catalog Microfiche. If the color description is not indicated in the description, refer to the color table.

8. **H/C**—The Honda Code is listed to the right of each Part Number.

- A. **Additional Information**—The table of contents located at the right of each microfiche grid lists sectioned titles in alphabetical order. Some microfiche will require separate tables of contents for the Engine and Frame sections which will be noted in a sub-heading; the introduction section (Row "A") of these microfiche will have the contents of the Engine Section on even number grids and the contents of the Frame Section on odd number grids.

### NOTE:

1. The Block No. listed in the upper right hand corner of the Description heading refers to a complete illustration page and its text, and should not be confused with the GRID NO. when using microfiche.
2. Rear view mirrors are standard equipment on all street legal models.

## SERIAL NUMBERS

### Models and applicable serial numbers

Models and applicable serial Nos. given in this parts catalog can be identified as follows.  
Parts with types are exclusive for models destined for countries designated.  
If no types are listed, parts are for common use.

Model	Area Code	Unique Area	Applicable Engine Serial No.	Applicable Frame Serial No.	Applicable Carburetor Identification No.
GL1500A'94	A	EXCEPT CALIFORNIA	SC22E-2600111 ~ SUB	SC220*FA600001 ~ SUB	VDGWE <b>A</b>
	AC	CALIFORNIA	SC22E-26003B1 ~ SUB	SC221*FA600001 ~ SUB	VDGYD <b>A</b>
GL1500A'95	A	EXCEPT CALIFORNIA	SC22E-2700101 ~ SUB	SC220*SA700001 ~ SUB	VDGWE <b>B</b>
	AC	CALIFORNIA	SC22E-2700101 ~ SUB	SC221*SA700001 ~ SUB	VDGYD <b>B</b>
GL1500I'94	A	EXCEPT CALIFORNIA	SC22E-2602085 ~ 2609506	SC226*FA600001 ~ SUB	VDGWF <b>A</b>
	AC	CALIFORNIA	SC22E-2600411 ~ 2604673	SC227*FA600001 ~ SUB	VDGYE <b>A</b>
GL1500I'95	A	EXCEPT CALIFORNIA	SC22E-2700101 ~ SUB	SC226*SA700001 ~ SUB	VDGWF <b>B</b>
	AC	CALIFORNIA	SC22E-2700101 ~ SUB	SC227*SA700001 ~ SUB	VDGYE <b>B</b>
GL1500SE'94	A	EXCEPT CALIFORNIA	SC22E-2600894 ~ SUB	SC223*FA600001 ~ SUB	VDGWE <b>A</b>
	AC	CALIFORNIA	SC22E-2601494 ~ 2609246	SC224*FA600001 ~ SUB	VDGYD <b>A</b>
GL1500SE'95	A	EXCEPT CALIFORNIA	SC22E-2700101 ~ SUB	SC223*SA700001 ~ SUB	VDGWE <b>B</b>
	AC	CALIFORNIA	SC22E-2700101 ~ SUB	SC224*SA700001 ~ SUB	VDGYD <b>B</b>

## CONSTRUCTION OF VEHICLE IDENTIFICATION NUMBER (V.I.N.)

(Example)	W.M.I.	V.D.S.	•	B	M	V.I.S.	
	J H 2	R C 0 4 0				2 0 0 0 0 1	W.M.I. ... World manufacturer identifier V.D.S. ... Vehicle descriptor section V.I.S. ... Vehicle indicator section
						Sequential Production number	
						Plant representation	
						A ... OHIO factory in U.S.A. B ... AALST factory in BELGIUM C ... SAITAMA factory in JAPAN D ... GUADALAJARA factory in MEXICO E ... MONTESA factory in SPAIN F ... ATESSA factory in ITALY K ... KUMAMOTO factory in JAPAN M ... HAMAMATSU factory in JAPAN R ... MANAUS factory in BRAZIL S ... SUZUKA factory in JAPAN T ... TOCHIGI factory in JAPAN	
						Model year	
						(Example) B, 1981 C ... 1982 D ... 1983 ..... X, 1999 <Except I.O.Q.U.>	
						Check digit	
						This code is used to detect errors in the V.I.N. and consists of a single-digit number (0-9) or a letter "X". It has no direct bearing upon the V.D.S. and V.I.S.	
						Vehicle description code	
						(Example) RC040 ... CB750F NC030 ... CB400T Refer to: SERIAL NUMBERS	
						Make and Type of vehicle	
						JH2 ... HONDA, Motorcycle (Manufactured in JAPAN) 1HF ... HONDA, Motorcycle (Manufactured in U.S.A.) YC1 ... HONDA, Motorcycle (Manufactured in BELGIUM) 9C2 ... HONDA, Motorcycle (Manufactured in BRAZIL) 3H1 ... HONDA, Motorcycle (Manufactured in MEXICO) VTM ... HONDA, Motorcycle (Manufactured in SPAIN) ZDC ... HONDA, Motorcycle (Manufactured in ITALY) JH3 ... HONDA, All terrain vehicle (Manufactured in JAPAN) 478 ... HONDA, All terrain vehicle (Manufactured in U.S.A.)	

Any change or modification of parts is directly related to the V.D.S. and V.I.S.  
 A V.I.S. number will appear in the "Serial No." column of the Parts Catalog if a part is changed or modified.

**COMMENT:**  
 This example is generic and applies to 1981 and newer vehicles. 1980 models and prior are referred to as "FRAME NUMBERS" and the construction is designed by using the model designation or code followed by a sequential number.

## MANUALS

DESCRIPTION	PART NUMBER	H/C
GL1500A'94,'95 GOLD WING ASPENCADE		
GL1500SE'94,'95 GOLD WING SE MICROFICHE .....	14MAFRM	4648028
GL1500'94,'95 SERVICE MANUAL .....	81MAM00-AH	4574372
GL1500A,I,SE'94 OWNER'S MANUAL .....	31MAF600	4231304
GL1500A'95 OWNER'S MANUAL .....	31MAM600	4531168

## COLOR TABLES

### Color chart

- (WL) = Stripes and labels other than caution labels are included in parts whose part name end in (WL).
- (WOL) = Stripes and labels are not included in parts whose part name end in (WOL).

COLOR CODE TABLE (Color descriptions omitted from the main text of the catalog)

TYPE OF PARTS	COLOR CODE	COLOR DESCRIPTION
PAINTED PARTS	A	WHITE
	B	BLACK
	C	SCARLET
	E	ROYAL BLUE
	N	DARK BLUE
	Q	MARUEN BLUE
	R	IVORY YELLOW
	S	DARK SILVER
	T	METALLIC SILVER
	Z	PRIMER
	ZZ	PRIMER
	XW	CHROME
VINYL PARTS	A	BLACK
	B	BLUE
	D	LIGHT BLUE
	E	SCARLET
	G	DARK ROSE
	N	ELEPHANT GRAY & IVORY
	Q	WHITE
	V	IVORY

## COLOR TABLES

GOLD WING Aspencade GL1500A '94 (A) SC720\*RA600001 To Subsequent (AC) SC221\*RA600001 To Subsequent

MODEL		GL1500A						Area code
COLOR		Basic part No.	Pearl atlantis Blue B-142P	Candy spectra red R-176C	Black Z RH-1 Z	Serial number		
CODE						From	To	
No.	Name of colored parts	Basic part No.	B142	R176	NH1Z	From	To	
1	BASE ASSY., L. BACK MIRROR	88124-MNS-003	ZY	ZP	ZJ			
2	BASE ASSY., R. BACK MIRROR	88114-MNS-003	ZY	ZP	ZJ			
3	BODY COMP., L. SADDLEBAG	81810-MWS-576	ZF	ZC	ZA			
4	BODY COMP., R. SADDLEBAG	81210-MWS-576	ZF	ZC	ZA			
5	BODY, L. ARMREST	81156-MNS-000	ZA	ZM	ZA			
6	BODY, R. ARMREST	81154-MNS-000	ZA	ZM	ZA			
7	BOX COMP., TRUNK	80110-MNS-000	ZT	ZN	ZJ			
8	CAP. L. DEFLECTOR	64296-MT2-000	ZU	ZN	ZJ			
9	CAP. R. DEFLECTOR	64286-MT2-000	ZU	ZN	ZJ			
10	COVER ASSY., L. ENGINE SIDE	83570-MAF-000	ZC	ZB	ZG			
11	COVER ASSY., R. ENGINE SIDE	83520-MAF-000	ZC	ZB	ZG			
12	COVER ASSY., R. POCKET	64225-MZ3-000	ZA	ZF	ZA			
13	COVER B. L. ARMREST	81153-MNS-000	ZA	ZM	ZA			
14	COVER B. R. ARMREST	81152-MNS-000	ZA	ZM	ZA			
15	COVER, COMBINATION SWITCH	83160-MNS-000	ZA	ZG	ZA			
16	COVER, FR. FORK	81050-MWS-000	ZA	ZA	ZA			
17	COVER, L. ARMREST	81151-MNS-000	ZA	ZN	ZA			
18	COVER, L. FR. FENDER	61114-MNS-800	ZT	ZN	ZJ			
19	COVER, L. FR. WHEEL	44211-MWS-000	ZA	ZA	ZA			
20	COVER, L. LOWER	83562-MAF-800	ZC	ZB	ZA			
21	COVER, L. POCKET	64255-MNS-000	ZA	ZJ	ZA			
22	COVER, L. SADDLEBAG LOWER	81414-MNS-000	ZT	ZP	ZJ			
23	COVER, L. SIDE	83708-MNS-000	ZT	ZN	ZJ			
24	COVER, L. SPEAKER	64247-MNS-000	ZA	ZH	ZA			
25	COVER, L. STEERING HANDLE	53176-MNS-000	ZA	ZH	ZA			
26	COVER, L. UPPER	83561-MY4-000	ZA	ZA	ZA			
27	COVER, R. ARMREST	81150-MNS-000	ZA	ZN	ZA			
28	COVER, R. FR. FENDER	61104-MNS-000	ZT	ZN	ZJ			
29	COVER, R. FR. WHEEL	44111-MWS-000	ZA	ZA	ZA			
30	COVER, R. LOWER	83517-MAF-000	ZC	ZB	ZA			
31	COVER, R. SADDLEBAG LOWER	81214-MNS-000	ZT	ZP	ZJ			
32	COVER, R. SIDE	83600-MNS-000	ZT	ZN	ZJ			
33	COVER, R. SPEAKER	64242-MNS-000	ZA	ZH	ZA			
34	COVER, R. STEERING HANDLE	53110-MNS-000	ZA	ZH	ZA			
35	COVER, R. UPPER	83511-MY4-000	ZA	ZA	ZA			
36	COVER, RADIO CASSETTE	83170-MNS-000	ZA	ZH	ZA			
37	COVER, TRUNK LOWER	81140-MNS-000	ZU	ZN	ZJ			
38	COWL, FR. LOWER	64300-MNS-000	ZV	ZU	ZJ			
39	COWL, L. UNDER	64290-MNS-000	ZQ	ZM	ZH			
40	COWL, R. UNDER	64280-MNS-000	ZR	ZM	ZH			

## COLOR TABLES

GOLD WING Aspencade GL1500A '94 (A) SC220\*RA600001 To Subsequent (AC) SC221\*RA600001 To Subsequent

No.	MODEL		GL1500A					Area code
	COLOR		Pearl atlantis blue B-143P	Candy spectra red R-175C	Black-Z NH-1-Z	Serial number		
	CODE					From	To	
Name of colored parts	Basic part No.	B142	R176	NH1Z	From	To		
41	CUSHION, L. ARMREST	81159-MN5-000	ZA	ZM	ZA			
42	CUSHION, R. ARMREST	81158-MN5-000	ZA	ZM	ZA			
43	DEFLECTOR, L. SIDE	64294-MN5-000	ZT	ZN	ZJ			
44	DEFLECTOR, R. SIDE	64284-MN5-000	ZT	ZN	ZJ			
45	FAIRING COMP.	64200-MT8-000	ZM	ZF	ZD			
46	FENDER A, FR.	61105-MN5-000	ZU	ZN	ZJ			
47	FENDER A, RR.	80100-MN5-000	ZT	ZP	ZJ			
48	FENDER B, FR.	61105-MN5-000	ZU	ZN	ZJ			
49	GRILLE, L. SPEAKER	64248-MN5-000	ZA	ZH	ZA			
50	GRILLE, R. SPEAKER	64243-MN5-000	ZA	ZH	ZA			
51	GRIP, L. PASSENGER	84120-MN5-000	ZA	ZH	ZA			
52	GRIP, R. PASSENGER	84110-MN5-000	ZA	ZH	ZA			
53	GROMMET, COMBINATION SWITCH	83161-MN5-000	ZA	ZH	ZA			
54	GROMMET, FR. PASSENGER GRIP	84111-MT2-000	ZA	ZL	ZA			
55	GROMMET, RR. PASSENGER GRIP	84112-MT2-000	ZA	ZL	ZA			
56	GUARD, FENDER	61102-MN5-000	ZA	ZA	ZA			
57	KNOB, TRUNK POCKET	81166-MN5-000	ZA	ZN	ZA			
58	LABEL, COLOR	87565-MAF-300	ZA	ZB	ZC			
59	LABEL, DRIVE	87560-MAF-670	ZA	ZA	ZA			
60	LABEL, FUEL	87565-MR6-670	ZA	ZA	ZA			
61	LABEL, HELMET HOLDER	87511-MAW-670	ZA	ZA	ZA			
62	LID COMP., L. SADDLEBAG	81420-MT8-000	ZN	ZG	ZD			
63	LID COMP., R. SADDLEBAG	81220-MT8-000	ZN	ZG	ZD			
64	LID COMP., TRUNK	81120-MN5-000	ZM	ZK	ZH			
65	LID, L. TRUNK POCKET	81165-MN5-000	ZA	ZM	ZA			
66	LID, R. TRUNK POCKET	81164-MN5-000	ZA	ZN	ZA			
67	LID, SHELTER	83131-MAF-000	ZB	ZD	ZB			
68	MIRROR ASSY., L.	88170-MT8-000	ZP	ZJ	ZF			
69	MIRROR ASSY., R.	88110-MT8-000	ZS	ZJ	ZF			
70	MOULDING, L. COWL TRIM	64214-MN5-000	ZT	ZN	ZJ			
71	MOULDING, R. COWL TRIM	64204-MN5-000	ZT	ZN	ZJ			
72	OUTLET, FRESH AIR	64480-MN5-000	ZA	ZH	ZA			
73	PANEL, FR. UNDER	64500-MN5-000	ZT	ZN	ZJ			
74	PANEL, L. BLIND	83149-MN5-000	ZT	ZN	ZJ			
75	PANEL, METER	64240-MT8-000	ZC	ZG	ZC			
76	PLATE, HANDLE COVER SETTING	53111-MN5-000	ZA	ZH	ZA			
77	POCKET ASSY., L. TRUNK	81161-MN5-000	ZA	ZM	ZA			
78	POCKET ASSY., R. TRUNK	81160-MN5-000	ZA	ZH	ZA			
79	PROTECTOR, L. CHAMBER	18415-MN5-870	ZL	ZK	ZB			
80	PROTECTOR, L. EX. PIPE	18415-MN5-000	ZF	ZE	ZA			
81	PROTECTOR, L. RR. EX. PIPE	18376-MN5-000	ZV	ZU	ZJ			
82	PROTECTOR, R. CHAMBER	18315-MN5-870	ZL	ZK	ZB			
83	PROTECTOR, R. EX. PIPE	18325-MN5-000	ZF	ZE	ZA			
84	SEAT COMP., BACK	77500-MT8-000	ZD	ZF	ZD			
85	SEAT COMP., DOUBLE	77200-MT8-000	ZC	ZE	ZC			
86	SHELTER COMP., L. SIDE	83120-MN5-000	ZS	ZM	ZJ			
87	SHELTER COMP., R. SIDE	83110-MN5-000	ZS	ZM	ZJ			
88	SHELTER, TOP	83150-MAF-000	ZA	ZE	ZA			

## COLOR TABLES

GOLD WING Interstate GL1500 I '94 (A) SC226\*RA600001 To Subsequent (AC) SC227\*RA600001 To Subsequent

MODEL			GL1500I					
COLOR			Pearl atlantis blue B-142P	Candy spectra red R-175C	Black-Z NH-1-Z	Serial number		Area code
CODE						From	To	
No.	Name of colored parts	Basic part No.	B142	R176	NH1Z	From	To	
1	BASE ASSY., L. BACK MIRROR	8814-MN5-003	ZN	ZN	ZN			
2	BASE ASSY., R. BACK MIRROR	8814-MN5-003	ZN	ZN	ZN			
3	BODY COMP., L. SADDLEBAG	8110-MN5-870	ZE	ZB	ZD			
4	BODY COMP., R. SADDLEBAG	8120-MN5-870	ZE	ZB	ZD			
5	BODY, L. ARMREST	81156-MN5-000	ZA	ZM	ZA			
6	BODY, R. ARMREST	81154-MN5-000	ZA	ZM	ZA			
7	BOX COMP., TRUNK	80119-MN5-000	ZT	ZN	ZJ			
8	CAP, L. DEFLECTOR	64296-MT2-000	ZU	ZN	ZJ			
9	CAP, R. DEFLECTOR	64286-MT2-000	ZU	ZN	ZJ			
10	COVER ASSY., L. ENGINE SIDE	83570-MAF-000	ZC	ZB	ZG			
11	COVER ASSY., R. ENGINE SIDE	83570-MAF-000	ZC	ZB	ZG			
12	COVER ASSY., R. POCKET	64225-MZ3-000	ZA	ZF	ZA			
13	COVER B, L. ARMREST	81153-MN5-000	ZA	ZM	ZA			
14	COVER B, R. ARMREST	81152-MN5-000	ZA	ZM	ZA			
15	COVER, COMBINATION SWITCH	83160-MN5-000	ZA	ZG	ZA			
16	COVER, FR. FORK	61050-MN5-000	ZA	ZA	ZA			
17	COVER, L. ARMREST	81151-MN5-000	ZA	ZN	ZA			
18	COVER, L. FR. FENDER	61114-MN5-000	ZT	ZN	ZJ			
19	COVER, L. FR. WHEEL	44211-MAF-000	ZB	ZB	ZB			
20	COVER, L. LOWER	83562-MAF-000	ZC	ZB	ZA			
21	COVER, L. POCKET	64255-MN5-000	ZA	ZJ	ZA			
22	COVER, L. SADDLEBAG LOWER	81414-MN5-000	ZT	ZP	ZJ			
23	COVER, L. SIDE	83700-MN5-000	ZT	ZN	ZJ			
24	COVER, L. SPEAKER	64247-MN5-000	ZA	ZH	ZA			
25	COVER, L. STEERING HANDLE	53120-MN5-000	ZA	ZH	ZA			
26	COVER, L. UPPER	83561-MY4-000	ZA	ZA	ZA			
27	COVER, R. ARMREST	81150-MN5-000	ZA	ZN	ZA			
28	COVER, R. FR. FENDER	61104-MN5-000	ZT	ZN	ZJ			
29	COVER, R. FR. WHEEL	44111-MAF-000	ZB	ZB	ZB			
30	COVER, R. LOWER	83512-MAF-000	ZC	ZB	ZA			
31	COVER, R. SADDLEBAG LOWER	81214-MN5-000	ZT	ZP	ZJ			
32	COVER, R. SIDE	83600-MN5-000	ZT	ZN	ZJ			
33	COVER, R. SPEAKER	64242-MN5-000	ZA	ZH	ZA			
34	COVER, R. STEERING HANDLE	53110-MN5-000	ZA	ZH	ZA			
35	COVER, R. UPPER	83511-MY4-000	ZA	ZA	ZA			
36	COVER, RADIO CASSETTE	83170-MN5-000	ZA	ZH	ZA			
37	COVER, TRUNK LOWER	81140-MN5-000	ZU	ZN	ZJ			
38	COWL, FR. LOWER	64300-MN5-000	ZV	ZU	ZJ			
39	COWL, L. UNDER	64390-MN5-000	ZQ	ZM	ZH			
40	COWL, R. UNDER	64380-MN5-000	ZR	ZM	ZH			
41	CUSHION, L. ARMREST	81159-MN5-000	ZA	ZM	ZA			
42	CUSHION, R. ARMREST	81158-MN5-000	ZA	ZM	ZA			
43	DEFLECTOR, L. SIDE	64294-MN5-000	ZT	ZN	ZJ			
44	DEFLECTOR, R. SIDE	64284-MN5-000	ZT	ZN	ZJ			
45	FAIRING COMP.	64200-MT8-000	ZM	ZF	ZD			

## COLOR TABLES

GOLD WING Interstate GL1500 I '94 (A) SC226\*RA600001 To Subsequent (AC) SC227\*RA600001 To Subsequent

MODEL		GL1500I					
COLOR		Pearl atlantis blue 8-142P	Candy spectra red R-176C	Black-Z NH-1 Z	Serial number	Area code	
CODE		B142	R176	NH1Z	From	To	
No.	Name of colored parts	Basic part No.					
46	FENDER A, FR.	6105-MMS-000	ZU	ZN	ZJ		
47	FENDER A, RR.	80100-MMS-000	ZT	ZP	ZJ		
48	FENDER B, FR.	61106-MMS-000	ZU	ZN	ZJ		
49	GRILLE, L, SPEAKER	64248-MMS-000	ZA	ZH	ZA		
50	GRILLE, R, SPEAKER	64243-MMS-000	ZA	ZH	ZA		
51	GRIP, L, PASSENGER	84120-MMS-000	ZA	ZH	ZA		
52	GRIP, R, PASSENGER	84110-MMS-000	ZA	ZH	ZA		
53	GROMMET, COMBINATION SWITCH	83151-MMS-000	ZA	ZH	ZA		
54	GROMMET, FR, PASSENGER GRIP	84111-MT2-000	ZA	ZL	ZA		
55	GROMMET, RR, PASSENGER GRIP	84112-MT2-000	ZA	ZL	ZA		
56	GUARD, FENDER	61102-MMS-000	ZA	ZA	ZA		
57	KNOB, TRUNK POCKET	81156-MMS-000	ZA	ZN	ZA		
58	LABEL, COLOR	87565-MAF-870	ZA	ZB	ZC		
59	LABEL, DRIVE	87560-MMD-870	ZA	ZA	ZA		
60	LABEL, FUEL	87586-MRG-870	ZA	ZA	ZA		
61	LABEL, HELMET HOLDER	87511-MMG-870	ZA	ZA	ZA		
62	LID COMP., L, SADDLEBAG	81420-MTB-000	ZN	ZG	ZD		
63	LID COMP., R, SADDLEBAG	81220-MTB-000	ZN	ZG	ZD		
64	LID COMP., TRUNK	81120-MMS-000	ZM	ZK	ZH		
65	LID, L, TRUNK POCKET	81165-MMS-000	ZA	ZM	ZA		
66	LID, R, TRUNK POCKET	81164-MMS-000	ZA	ZN	ZA		
67	LID, SHELTER	83131-MAF-000	ZB	ZD	ZB		
68	MIRROR ASSY., L	88120-MMS-870	ZB	ZB	ZB		
69	MIRROR ASSY., R	88110-MMS-870	ZB	ZB	ZB		
70	MOLDING, L, COML TRIM	64214-MMS-000	ZT	ZN	ZJ		
71	MOLDING, R, COML TRIM	64204-MMS-000	ZT	ZN	ZJ		
72	DUTILEY, FRESH AIR	64480-MMS-000	ZA	ZH	ZA		
73	PANEL, FR, UNDER	64500-MMS-000	ZT	ZN	ZJ		
74	PANEL, L, BLIND	83149-MMS-000	ZT	ZN	ZJ		
75	PANEL, METER	64240-MTB-000	ZC	ZG	ZC		
76	PANEL, R, BLIND	83139-MMS-870	ZE	ZB	ZD		
77	PLATE, HANDLE COVER SETTING	53111-MMS-000	ZA	ZH	ZA		
78	POCKET ASSY., L, TRUNK	81161-MMS-000	ZA	ZM	ZA		
79	POCKET ASSY., R, TRUNK	81160-MMS-000	ZA	ZH	ZA		
80	PROTECTOR, L, CHAMBER	18415-MMS-870	ZL	ZK	ZB		
81	PROTECTOR, L, EX, PIPE	18425-MMS-000	ZF	ZE	ZA		
82	PROTECTOR, L, RR, EX, PIPE	18326-MMS-000	ZV	ZU	ZJ		
83	PROTECTOR, R, CHAMBER	18315-MMS-870	ZL	ZK	ZB		
84	PROTECTOR, R, EX, PIPE	18325-MMS-000	ZF	ZE	ZA		
85	SEAT COMP, BACK	77500-MMS-000	ZA	ZF	ZA		
86	SEAT COMP, DOUBLE	77200-MMS-870	ZB	ZD	ZB		
87	SHELTER COMP., L, SIDE	83120-MMS-870	ZE	ZB	ZD		
88	SHELTER COMP., R, SIDE	83110-MMS-870	ZE	ZB	ZD		
89	SHELTER, TOP	83150-MAF-000	ZA	ZE	ZA		

## COLOR TABLES

GOLD WING SE GL1500SE '94 (A) SC273\*RA600001 To Subsequent (AC) SC224\*RA600001 To Subsequent

MODEL			GL1500SE						
COLOR			Pearl bermuda green 8G-101P	Pearl atlantis blue B-142P	Candy spectra red R-176C	Pearl glacier white NH-328P	Serial number		Area code
CODE			BG101G	B142H	R176K	NH326	From	To	
No.	Name of colored parts	Basic part No.							
1	BASE ASSY., L. BACK MIRROR	88174-MNS-003	ZW	ZV	ZP	ZF			
2	BASE ASSY., R. BACK MIRROR	88114-MNS-003	ZX	ZY	ZP	ZT			
3	BASE SUB ASSY., HIGH MOUNT LIGHT	34320-MT8-770	ZN	ZP	ZQ	ZG			
4	BODY COMP., L. SADDLEBAG	81410-MZ3-770	---	---	---	ZA			
5	BODY COMP., R. SADDLEBAG	81210-MZ3-773	---	---	---	ZA			
6	BODY SET., L. SADDLEBAG (WL)	81424-MAF-770	ZF	ZG	ZH	---			
7	BODY SET., R. SADDLEBAG (WL)	81224-MAF-770	ZF	ZG	ZH	---			
8	BODY SET., TRUNK (WL)	81100-MAF-770	ZF	ZG	ZH	---			
9	BODY, L. ARMREST	81156-MNS-000	ZA	ZA	ZM	ZA			
10	BODY, R. ARMREST	81154-MNS-000	ZA	ZA	ZM	ZA			
11	BOX COMP., TRUNK	80110-MNS-000	---	---	---	ZO			
12	CAP., L. DEFLECTOR	64295-MT2-000	ZV	ZU	ZN	ZS			
13	CAP., R. DEFLECTOR	64285-MT2-000	ZV	ZU	ZN	ZS			
14	COVER ASSY., L. ENGINE SIDE	83570-MAF-000	ZD	ZC	ZB	ZF			
15	COVER ASSY., R. ENGINE SIDE	83520-MAF-000	ZD	ZC	ZB	ZF			
16	COVER ASSY., R. POCKET	64225-MZ3-000	ZA	ZA	ZF	ZA			
17	COVER B., L. ARMREST	81153-MNS-000	ZA	ZA	ZM	ZA			
18	COVER B., R. ARMREST	81152-MNS-000	ZA	ZA	ZM	ZA			
19	COVER SET., L. SIDE (WL)	83710-MAF-770	ZE	ZF	ZG	---			
20	COVER SET., R. SIDE (WL)	83510-MAF-770	ZE	ZF	ZG	---			
21	COVER, COMBINATION SWITCH	83160-MNS-000	ZA	ZA	ZG	ZA			
22	COVER, FR. FORK	61050-MNS-000	ZA	ZA	ZA	ZA			
23	COVER, L. ARMREST	81151-MNS-000	ZA	ZA	ZN	ZA			
24	COVER, L. FR. FENDER	6114-MNS-000	ZU	ZT	ZN	ZQ			
25	COVER, L. FR. WHEEL	44211-MNS-000	ZA	ZA	ZA	ZA			
26	COVER, L. LOWER	83562-MAF-000	ZD	ZC	ZB	ZF			
27	COVER, L. POCKET	64255-MNS-000	ZA	ZA	ZJ	ZA			
28	COVER, L. SADDLEBAG LOWER	81414-MNS-000	ZU	ZT	ZP	ZQ			
29	COVER, L. SIDE	83700-MNS-000	---	---	---	ZQ			
30	COVER, L. SPEAKER	64247-MNS-000	ZA	ZA	ZH	ZA			
31	COVER, L. STEERING HANDLE	53120-MNS-000	ZA	ZA	ZH	ZA			
32	COVER, L. UPPER	83551-MY4-000	ZA	ZA	ZA	ZA			
33	COVER, R. ARMREST	81150-MNS-000	ZA	ZA	ZN	ZA			
34	COVER, R. FR. FENDER	61104-MNS-000	ZU	ZT	ZN	ZQ			
35	COVER, R. FR. WHEEL	44111-MNS-000	ZA	ZA	ZA	ZA			
36	COVER, R. LOWER	83512-MAF-000	ZD	ZC	ZB	ZF			
37	COVER, R. SADDLEBAG LOWER	81214-MNS-000	ZU	ZT	ZP	ZQ			
38	COVER, R. SIDE	83600-MNS-000	---	---	---	ZQ			
39	COVER, R. SPEAKER	64242-MNS-000	ZA	ZA	ZH	ZA			
40	COVER, R. STEERING HANDLE	53110-MNS-000	ZA	ZA	ZH	ZA			

## COLOR TABLES

GOLD WING SE GL1500SE '94 (A) SC223\*RA600001 To Subsequent (AC) SC224\*RA600001 To Subsequent

No.	MODEL		GL1500SE						
	COLOR		Pearl bermuda green BG-101P	Pearl atlantis blue B-142P	Gandy spectra red R-176C	Pearl glacier white NH-326P	Serial number		Area code
	CODE						From	To	
	Name of colored parts	Basic part No.	BG101G	R142H	R176K	NH326			
41	COVER, R. UPPER	83511-MY4-000	ZA	ZA	ZA	ZA			
42	COVER, RADIO CASSETTE	83170-MN5-000	ZA	ZA	ZH	ZA			
43	COVER, TRUNK LOWER	81140-MN5-000	ZV	ZU	ZN	ZS			
44	COWL COMP., L. UNDER	64290-MT8-770	ZH	ZJ	ZK	ZF			
45	COWL COMP., R. UNDER	64280-MT8-770	ZH	ZJ	ZK	ZF			
46	COWL, FR. LOWER	64300-MN5-000	ZW	ZV	ZU	ZH			
47	CUSHION, L. ARMREST	81159-MN5-000	ZA	ZA	ZM	ZA			
48	CUSHION, R. ARMREST	81158-MN5-000	ZA	ZA	ZM	ZA			
49	DEFLECTOR, L. SIDE	64294-MN5-000	ZU	ZT	ZN	ZQ			
50	DEFLECTOR, R. SIDE	64284-MN5-000	ZU	ZT	ZN	ZQ			
51	EMBLEM, A. SIDE COVER	83605-MAF-770	ZD	ZC	ZA	ZB			
52	EMBLEM, R. RR. (HONDA)	87111-MAF-770	ZD	ZC	ZA	ZB			
53	FAIRING COMP.	64200-MT8-000	---	---	---	ZJ			
54	FAIRING SET (WL)	64210-MAF-770	ZE	ZF	ZG	---			
55	FENDER A. FR.	61105-MN5-000	---	---	---	ZS			
56	FENDER A. RR.	80109-MN5-000	ZU	ZT	ZP	ZQ			
57	FENDER B. FR.	61106-MN5-000	ZV	ZU	ZN	ZS			
58	FENDER SET A. FR. (WL)	61100-MAF-770	ZE	ZF	ZG	---			
59	GRILLE, L. SPEAKER	64248-MN5-000	ZA	ZA	ZH	ZA			
60	GRILLE, R. SPEAKER	64243-MN5-000	ZA	ZA	ZH	ZA			
61	GRIP, L. PASSENGER	84120-MN5-000	ZA	ZA	ZH	ZA			
62	GRIP, R. PASSENGER	84110-MN5-000	ZA	ZA	ZH	ZA			
63	GROMMET, COMBINATION SWITCH	83161-MN5-000	ZA	ZA	ZH	ZA			
64	GROMMET, FR. PASSENGER GRIP	84111-MT2-000	ZA	ZA	ZL	ZA			
65	GROMMET, RR. PASSENGER GRIP	84112-MT2-000	ZA	ZA	ZL	ZA			
66	GUARD, FENDER	61102-MN5-000	ZA	ZA	ZA	ZA			
67	KNOB, TRUNK POCKET	81166-MN5-000	ZA	ZA	ZN	ZA			
68	LABEL, COLOR	87565-MAF-770	ZA	ZB	ZC	ZD			
69	LABEL, DRIVE	87560-MM0-670	ZA	ZA	ZA	ZA			
70	LABEL, FUEL	87566-MP6-670	ZA	ZA	ZA	ZA			
71	LABEL, HELMET HOLDER	87511-MM0-670	ZA	ZA	ZA	ZA			
72	LID COMP., L. EX. PIPE PROTECTOR	18435-MN5-770	ZN	ZM	ZL	ZQ			
73	LID COMP., L. SADDLEBAG	81420-MT8-000	---	---	---	ZK			
74	LID COMP., R. EX. PIPE PROTECTOR	18335-MN5-770	ZN	ZM	ZL	ZQ			
75	LID COMP., R. SADDLEBAG	81220-MT8-000	---	---	---	ZK			
76	LID COMP., TRUNK	81120-MZ3-770	---	---	---	ZA			
77	LID SET, L. SADDLEBAG (WL)	81425-MAF-770	ZE	ZF	ZG	---			
78	LID SET, R. SADDLEBAG (WL)	81225-MAF-770	ZE	ZF	ZG	---			
79	LID SET, TRUNK (WL)	81125-MAF-770	ZE	ZF	ZG	---			
80	LID, L. TRUNK POCKET	81165-MN5-000	ZA	ZA	ZM	ZA			

## COLOR TABLES

GOLD WING SE GL1500SE '94 (A) SC221\*RA600001 To Subsequent (AC) SC224\*RA600001 To Subsequent

MODEL		GL1500SE							Area code
COLOR		8G101G	B142H	R176K	NH325	Serial number			
CODE						From	To		
No.	Name of colored parts	Basic part No.	Pearl bermuda green BG-101P	Pearl atant's blue B-142P	Candy spectra red R-176K	Pearl gacet white NH-325P			
81	LID, R. TRUNK POCKET	81164-MN5-000	ZA	ZA	ZN	ZA			
82	LID, SHELTER	83131-MAF-000	ZB	ZB	ZD	ZB			
83	MIRROR ASSY., L.	88120-MT8-000	ZQ	ZP	ZJ	ZM			
84	MIRROR ASSY., R.	88110-MT8-000	ZR	ZS	ZJ	ZM			
85	MOULDING, L. COWL TRIM	54214-MN5-000	ZU	ZT	ZN	ZQ			
86	MOULDING, R. COWL TRIM	54204-MN5-000	ZU	ZT	ZN	ZQ			
87	OUTLET, FRESH AIR	64480-MN5-000	ZA	ZA	ZH	ZA			
88	PANEL COMP., METER	84241-MT8-770	ZB	ZB	ZF	ZB			
89	PANEL, FR. UNDER	64300-MN5-000	ZU	ZT	ZN	ZQ			
90	PLATE, HANDLE COVER SETTING	53111-MN5-000	ZA	ZA	ZH	ZA			
91	POCKET ASSY., L. TRUNK	81361-MN5-000	ZA	ZA	ZM	ZA			
92	POCKET ASSY., R. TRUNK	81350-MT8-770	ZB	ZB	ZJ	ZB			
93	PROTECTOR, L. CHAMBER	18415-MN5-870	ZM	ZI	ZK	ZP			
94	PROTECTOR, L. EX. PIPE	18425-MN5-770	ZL	ZK	ZJ	ZN			
95	PROTECTOR, R. EX. PIPE	18326-MN5-000	ZW	ZV	ZU	ZH			
96	PROTECTOR, R. CHAMBER	18315-MN5-870	ZM	ZL	ZK	ZP			
97	PROTECTOR, R. EX. PIPE	18325-MN5-770	ZL	ZK	ZJ	ZN			
98	SEAT COMP., BACK	77500-MT8-000	ZD	ZD	ZF	ZD			
99	SEAT COMP., DOUBLE	77200-MT4-770	ZC	ZC	ZF	ZC			
100	SHELTER COMP., L. SIDE	83120-MN5-000	---	---	---	ZQ			
101	SHELTER COMP., R. SIDE	83110-MN5-000	---	---	---	ZQ			
102	SHELTER SET, L. SIDE (WL.)	83220-MAF-770	ZF	ZG	ZH	---			
103	SHELTER SET, R. SIDE (WL.)	83210-MAF-770	ZF	ZG	ZH	---			
104	SHELTER, TOP	83150-MAF-000	ZA	ZA	ZC	ZA			
105	STRIPES, FR. FENDER	61110-MAF-770	ZA	ZB	ZC	---			
106	STRIPES, L. FAIRING	64203-MAF-770	ZA	ZB	ZC	---			
107	STRIPES, L. SADDLEBAG	81427-MAF-770	ZA	ZB	ZC	---			
108	STRIPES, L. SADDLEBAG	87118-MAF-770	ZA	ZB	ZC	---			
109	STRIPES, L. SIDE COVER	83715-MAF-770	ZA	ZB	ZC	---			
110	STRIPES, L. SIDE SHELTER	83225-MAF-770	ZA	ZB	ZC	---			
111	STRIPES, L. TRUNK BOX	81116-MAF-770	ZA	ZB	ZC	---			
112	STRIPES, R. FAIRING	64202-MAF-770	ZA	ZB	ZC	---			
113	STRIPES, R. SADDLEBAG	81227-MAF-770	ZA	ZB	ZC	---			
114	STRIPES, R. SADDLEBAG	87117-MAF-770	ZA	ZB	ZC	---			
115	STRIPES, R. SIDE COVER	83615-MAF-770	ZA	ZB	ZC	---			
116	STRIPES, R. SIDE SHELTER	82715-MAF-770	ZA	ZB	ZC	---			
117	STRIPES, R. TRUNK BOX	81115-MAF-770	ZA	ZB	ZC	---			
118	STRIPES, TRUNK LID	81122-MAF-770	ZA	ZB	ZC	---			

## COLOR TABLES

GOLD WING Aspencade GL1500A '95 (A) SC220\*SA700001 To Subsequent (AC) SC221\*SA700001 To Subsequent

MODEL		GL1500A						Serial number	Area code
COLOR		Candy spectra red R-176C	Pearl royal mae genta RP-151P	Pearl sierra green G-155P	Serial number				
CODE					From	To			
No.	Name of colored parts	Basic part No.	R176	RP151	G155	From	To		
1	BASE ASSY., L. BACK MIRROR	83174-MN5-003	ZP	ZY	ZX				
2	BASE ASSY., R. BACK MIRROR	83114-MN5-003	ZP	YB	YA				
3	BODY COMP., L. SADDLEBAG	81410-MN5-070	ZC	ZH	ZG				
4	BODY COMP., R. SADDLEBAG	81210-MN5-070	ZC	ZH	ZG				
5	BODY, L. ARMREST	81156-MN5-000	ZM	ZA	ZA				
6	BODY, R. ARMREST	81154-MN5-000	ZM	ZA	ZA				
7	BOX COMP., TRUNK	80110-MN5-000	ZN	ZW	ZV				
8	CAP, L. DEFLECTOR	84286-MT2-000	ZN	ZX	ZW				
9	CAP, R. DEFLECTOR	84286-MT2-000	ZN	ZX	ZW				
10	COVER ASSY., L. ENGINE SIDE	83570-MAF-000	ZB	ZH	ZJ				
11	COVER ASSY., R. ENGINE SIDE	83570-MAF-000	ZB	ZH	ZJ				
12	COVER ASSY., R. POCKET	84225-MZ3-000	ZF	ZA	ZA				
13	COVER B., L. ARMREST	81153-MN5-000	ZM	ZA	ZA				
14	COVER B., R. ARMREST	81152-MN5-000	ZM	ZA	ZA				
15	COVER, COMBINATION SWITCH	83160-MN5-000	ZG	ZA	ZA				
16	COVER, FR. FORK	61050-MN5-000	ZA	ZA	ZA				
17	COVER, L. ARMREST	81151-MN5-000	ZN	ZA	ZA				
18	COVER, L. FR. FENDER	81114-MN5-000	ZN	ZW	ZV				
19	COVER, L. LOWER	83562-MAF-000	ZB	ZG	ZH				
20	COVER, L. POCKET	84255-MN5-000	ZJ	ZA	ZA				
21	COVER, L. SADDLEBAG LOWER	81414-MN5-000	ZP	ZW	ZV				
22	COVER, L. SIDE	83700-HAH4-000	ZB	ZC	ZA				
23	COVER, L. SPEAKER	84247-MN5-000	ZH	ZA	ZA				
24	COVER, L. STEERING HANDLE	53120-MN5-000	ZH	ZA	ZA				
25	COVER, L. UPPER	83581-MY4-000	ZA	ZA	ZA				
26	COVER, R. ARMREST	81150-MN5-000	ZN	ZA	ZA				
27	COVER, R. FR. FENDER	81104-MN5-000	ZN	ZW	ZV				
28	COVER, R. LOWER	83512-MAF-000	ZB	ZG	ZH				
29	COVER, R. SADDLEBAG LOWER	81214-MN5-000	ZP	ZW	ZV				
30	COVER, R. SIDE	83600-HAH4-000	ZB	ZC	ZA				
31	COVER, R. SPEAKER	84242-MN5-000	ZH	ZA	ZA				
32	COVER, R. STEERING HANDLE	53110-MN5-000	ZH	ZA	ZA				
33	COVER, R. UPPER	83511-MY4-000	ZA	ZA	ZA				
34	COVER, RADIO CASSETTE	83170-MN5-000	ZH	ZA	ZA				
35	COVER, TRUNK LOWER	81140-MN5-000	ZN	ZX	ZW				
36	COWL COMP., L. UNDER	84230-MN5-000	ZM	ZU	ZT				
37	COWL COMP., R. UNDER	84280-MN5-000	ZM	ZV	ZU				
38	COWL, FR. LOWER	84300-MN5-000	ZU	ZY	YA				
39	CUSHION, L. ARMREST	81159-MN5-000	ZM	ZA	ZA				
40	CUSHION, R. ARMREST	81158-MN5-000	ZM	ZA	ZA				
41	DEFLECTOR, L. SIDE	84294-MN5-000	ZN	ZW	ZV				
42	DEFLECTOR, R. SIDE	84294-MN5-000	ZN	ZW	ZV				
43	FAIRING COMP.	84200-MT8-000	ZF	ZQ	ZP				

## COLOR TABLES

GOLD WING Aspencade GL1500A '95 (A) SC226\*SA700001 To Subsequent (AC) SC221\*SA700001 To Subsequent

MODEL			GL1500A					Area code
COLOR			Candy spectra red R-176C	Pearl royal magenta RP151B	Pearl sierra green G-156P	Serial number		
CODE						From	To	
No.	Name of colored parts	Basic part No.	R176	RP151	G156	From	To	
44	FENDER A, FR.	8109-MN5-000	ZN	ZX	ZW			
45	FENDER A, RR.	80100-MN5-000	ZP	ZW	ZV			
46	FENDER B, FR.	81108-MN5-000	ZN	ZX	ZW			
47	GRILLE, L, SPEAKER	64248-MN5-000	ZH	ZA	ZA			
48	GRILLE, R, SPEAKER	64243-MN5-000	ZH	ZA	ZA			
49	GRIP, L, PASSENGER	84120-MN5-000	ZH	ZA	ZA			
50	GRIP, R, PASSENGER	84110-MN5-000	ZH	ZA	ZA			
51	GROMMET, COMBINATION SWITCH	83161-MN5-000	ZH	ZA	ZA			
52	GROMMET, FR, PASSENGER GRIP	84111-MT2-000	ZL	ZA	ZA			
53	GROMMET, RR, PASSENGER GRIP	84112-MT2-000	ZL	ZA	ZA			
54	GUARD, FENDER	61102-MN5-000	ZA	ZA	ZA			
55	KNOB, TRUNK POCKET	81166-MN5-000	ZM	ZA	ZA			
56	LABEL, COLOR	87565-MAM-300	ZB	ZD	ZE			
57	LABEL, DRIVE	87560-MM0-670	ZA	ZA	ZA			
58	LABEL, FUEL	87566-MR0-670	ZA	ZA	ZA			
59	LABEL, HELMET HOLDER	87511-MM0-670	ZA	ZA	ZA			
60	LID COMP, L, SADDLEBAG	81420-MT8-000	ZG	ZR	ZQ			
61	LID COMP, R, SADDLEBAG	81220-MT8-000	ZG	ZR	ZQ			
62	LID SET, TRUNK (WL)	81125-MAM-670	ZC	ZB	ZA			
63	LID, L, TRUNK POCKET	81165-MN5-000	ZM	ZA	ZA			
64	LID, R, TRUNK POCKET	81164-MN5-000	ZN	ZA	ZA			
65	LID, SHELTER	83131-MAF-000	ZD	ZB	ZB			
66	MIRROR ASSY, L	86120-MT8-000	ZJ	ZS	ZR			
67	MIRROR ASSY, R	86110-MT8-000	ZJ	ZU	ZT			
68	MOLDING, L, COWL TRIM	64214-MN5-000	ZN	ZW	ZV			
69	MOLDING, R, COWL TRIM	64204-MN5-000	ZN	ZW	ZV			
70	OUTLET, FRESH AIR	64480-MN5-000	ZH	ZA	ZA			
71	PANEL, FR, UNDER	64500-MN5-000	ZN	ZW	ZV			
72	PANEL, L, BLIND	83149-MN5-000	ZN	ZW	ZV			
73	PANEL, METER	64240-MT8-000	ZG	ZC	ZC			
74	PLATE, HANDLE COVER SETTING	53111-MN5-000	ZH	ZA	ZA			
75	POCKET ASSY, L, TRUNK	81161-MN5-000	ZM	ZA	ZA			
76	POCKET ASSY, R, TRUNK	81160-MN5-000	ZH	ZA	ZA			
77	PROTECTOR, L, CHAMBER	18415-MM5-870	ZK	ZQ	ZR			
78	PROTECTOR, L, EX, PIPE	18425-MM5-000	ZE	ZG	ZH			
79	PROTECTOR, L, RR, EX, PIPE	18326-MN5-000	ZU	ZY	YA			
80	PROTECTOR, R, CHAMBER	18315-MM5-870	ZK	ZQ	ZR			
81	PROTECTOR, R, EX, PIPE	18325-MM5-000	ZE	ZG	ZH			
82	SEAT COMP, BACK	77500-MT8-000	ZF	ZD	ZD			
83	SEAT COMP, DOUBLE	77200-MAM-000	ZB	ZA	ZA			
84	SHELTER COMP, L, SIDE	83120-MAM-000	ZD	ZC	ZB			
85	SHELTER COMP, R, SIDE	83110-MAM-000	ZD	ZC	ZB			
86	SHELTER, TOP	83150-MAF-000	ZE	ZA	ZA			

## COLOR TABLES

GOLD WING Interstate GL1500 ( '95 (A) SC226\*SA700001 To Subsequent (AC) SC227\*SA700001 To Subsequent

MODEL		GL1500I				
COLOR		Candy spectra red R-176C	Pearl sierra green G-156P	Serial number		Area code
CODE				From	To	
No.	Name of colored parts	Basic part No.	R175	G156	From	To
1	BASE ASSY., L. BACK MIRROR	88174-MN5-003	ZN	ZN		
2	BASE ASSY., R. BACK MIRROR	88174-MN5-003	ZN	ZN		
3	BODY COMP., L. SADDLEBAG	81410-MN5-870	ZB	ZF		
4	BODY COMP., R. SADDLEBAG	81210-MN5-870	ZB	ZF		
5	BODY, L. ARMREST	81156-MN5-000	ZM	ZA		
6	BODY, R. ARMREST	81154-MN5-000	ZM	ZA		
7	BOX COMP., TRUNK	80110-MN5-000	ZN	ZV		
8	CAP., L. DEFLECTOR	64286-M17-000	ZN	ZW		
9	CAP., R. DEFLECTOR	64286-M17-000	ZN	ZW		
10	COVER ASSY., L. ENGINE SIDE	83570-MAF-000	ZB	ZJ		
11	COVER ASSY., R. ENGINE SIDE	83570-MAF-000	ZB	ZJ		
12	COVER ASSY., R. POCKET	64225-M23-000	ZF	ZA		
13	COVER B., L. ARMREST	81153-MN5-000	ZM	ZA		
14	COVER B., R. ARMREST	81152-MN5-000	ZM	ZA		
15	COVER, COMBINATION SWITCH	83160-MN5-000	ZG	ZA		
16	COVER, FR. FORK	61050-MN5-000	ZA	ZA		
17	COVER, L. ARMREST	81151-MN5-000	ZH	ZA		
18	COVER, L. FR. FENDER	61114-MN5-000	ZN	ZV		
19	COVER, L. FR. WHEEL	44215-MAF-000	ZB	ZB		
20	COVER, L. LOWER	83562-MAF-000	ZB	ZH		
21	COVER, L. POCKET	64255-MN5-000	ZJ	ZA		
22	COVER, L. SADDLEBAG LOWER	81414-MN5-000	ZP	ZV		
23	COVER, L. SIDE	83700-MAN-000	ZB	ZA		
24	COVER, L. SPEAKER	64247-MN5-000	ZH	ZA		
25	COVER, L. STEERING HANDLE	53120-MN5-000	ZH	ZA		
26	COVER, L. UPPER	83561-MY4-000	ZA	ZA		
27	COVER, P. ARMREST	81150-MN5-000	ZN	ZA		
28	COVER, R. FR. FENDER	61104-MN5-000	ZN	ZV		
29	COVER, R. FR. WHEEL	44111-MAF-000	ZB	ZB		
30	COVER, R. LOWER	83572-MAF-000	ZB	ZH		
31	COVER, R. SADDLEBAG LOWER	81214-MN5-000	ZP	ZV		
32	COVER, R. SIDE	83600-MAN-000	ZB	ZA		
33	COVER, R. SPEAKER	64242-MN5-000	ZH	ZA		
34	COVER, R. STEERING HANDLE	53110-MN5-000	ZH	ZA		
35	COVER, R. UPPER	83511-MY4-000	ZA	ZA		
36	COVER, RADIO CASSETTE	83120-MN5-000	ZH	ZA		
37	COVER, TRUNK LOWER	81140-MN5-000	ZN	ZW		
38	COWL COMP., L. UNDER	64290-MN5-000	ZM	ZT		
39	COWL COMP., R. UNDER	64280-MN5-000	ZM	ZU		
40	COWL, FR. LOWER	64300-MN5-000	ZU	YA		
41	CUSHION, L. ARMREST	81159-MN5-000	ZM	ZA		
42	CUSHION, R. ARMREST	81158-MN5-000	ZM	ZA		
43	DEFLECTOR, L. SIDE	64294-MN5-000	ZN	ZV		
44	DEFLECTOR, R. SIDE	64284-MN5-000	ZN	ZV		

## COLOR TABLES

GOLD WING SE GL1500SE '95 (A) SC223\*SA700001 To Subsequent (AC) SC224\*SA700001 To Subsequent

No.	MODEL		GL1500SE						
	COLOR		Candy spectra red R-175C R176K	Pearl glacier white NH-326P NH326	Pearl royal magenta RP-151P RP151K	Pearl sierra green G-156P G156G	Serial number		Area code
	CODE						From	To	
Name of colored parts	Basic part No.								
1	BASE ASSY., L. BACK MIRROR	88124-MNS-003	ZP	ZT	ZY	ZX			
2	BASE ASSY., R. BACK MIRROR	88114-MNS-003	ZP	ZT	YB	YA			
3	BASE SUB ASSY., HIGH MOUNT LIGHT	34320-MT8-770	ZQ	ZG	ZS	ZR			
4	BODY COMP., L. SADDLEBAG	81410-MZ3-770	---	ZA	---	---			
5	BODY COMP., R. SADDLEBAG	81210-MZ3-770	---	ZA	---	---			
6	BODY SET, L. SADDLEBAG (WL)	81424-MAM-770	ZE	---	ZF	ZG			
7	BODY SET, R. SADDLEBAG (WL)	81224-MAM-770	ZJ	---	ZK	ZH			
8	BODY SET, TRUNK (WL)	81400-MAM-770	ZD	---	ZE	ZF			
9	BODY, L. ARMREST	81150-MNS-000	ZM	ZA	ZA	ZA			
10	BODY, R. ARMREST	81154-MNS-000	ZM	ZA	ZA	ZA			
11	BOX COMP., TRUNK	80110-MNS-000	---	ZQ	---	---			
12	CAP., L. REFLECTOR	64298-MT2-000	ZN	ZS	ZX	ZW			
13	CAP., R. REFLECTOR	64286-MT2-000	ZN	ZS	ZX	ZW			
14	COVER ASSY., L. ENGINE SIDE	83570-MAF-000	ZB	ZF	ZH	ZJ			
15	COVER ASSY., R. ENGINE SIDE	83520-MAF-000	ZB	ZF	ZH	ZJ			
16	COVER ASSY., R. POCKET	64225-MZ3-000	ZF	ZA	ZA	ZA			
17	COVER B., L. ARMREST	81153-MNS-000	ZM	ZA	ZA	ZA			
18	COVER B., R. ARMREST	81152-MNS-000	ZM	ZA	ZA	ZA			
19	COVER SET, L. SIDE (WL)	83710-MAM-770	ZE	---	ZF	ZG			
20	COVER SET, R. SIDE (WL)	83610-MAM-770	ZE	---	ZF	ZG			
21	COVER, COMBINATION SWITCH	83160-MNS-000	ZG	ZA	ZA	ZA			
22	COVER, FR. FORK	61050-MNS-000	ZA	ZA	ZA	ZA			
23	COVER, L. ARMREST	81151-MNS-000	ZN	ZA	ZA	ZA			
24	COVER, L. FR. FENDER	61114-MNS-000	ZN	ZQ	ZW	ZV			
25	COVER, L. LOWER	83562-MAF-000	ZB	ZF	ZG	ZH			
26	COVER, L. POCKET	64259-MNS-000	ZJ	ZA	ZA	ZA			
27	COVER, L. SADDLEBAG LOWER	81414-MNS-000	ZP	ZQ	ZW	ZV			
28	COVER, L. SIDE	83700-MAM-000	---	ZD	---	---			
29	COVER, L. SPEAKER	64247-MNS-000	ZH	ZA	ZA	ZA			
30	COVER, L. STEERING HANDLE	53120-MNS-000	ZH	ZA	ZA	ZA			
31	COVER, L. UPPER	83561-MY4-000	ZA	ZA	ZA	ZA			
32	COVER, R. ARMREST	81150-MNS-000	ZN	ZA	ZA	ZA			
33	COVER, R. FR. FENDER	61104-MNS-000	ZN	ZQ	ZW	ZV			
34	COVER, R. LOWER	83512-MAF-000	ZB	ZF	ZG	ZH			
35	COVER, R. SADDLEBAG LOWER	81214-MNS-000	ZP	ZQ	ZW	ZV			
36	COVER, R. SIDE	83600-MAM-000	---	ZD	---	---			
37	COVER, R. SPEAKER	64242-MNS-000	ZH	ZA	ZA	ZA			
38	COVER, R. STEERING HANDLE	53113-MNS-000	ZH	ZA	ZA	ZA			
39	COVER, R. UPPER	83511-MY4-000	ZA	ZA	ZA	ZA			
40	COVER, RADIO CASSETTE	83170-MNS-000	ZH	ZA	ZA	ZA			

## COLOR TABLES

GOLD WING SE GL1500SE '95 (A) SC223\*SA700001 To Subsequent (AC) SC224\*SA700001 To Subsequent

MODEL			GL1500SE				Serial number		Area code
COLOR CODE			Candy specifia red R-176C	Pearl glacier white NH326	Pearl royal magenta RP-151P	Pearl sierra green G-156P	From	To	
No.	Name of colored parts	Basic part No.	R176K	NH326	RP151K	G156G			
41	COVER, TRUNK LOWER	81140-MN5-000	ZN	ZS	ZX	ZW			
42	COWL COMP., L. UNDER	64290-MT8-770	ZK	ZF	ZM	ZL			
43	COWL COMP., R. UNDER	64280-MT8-770	ZK	ZF	ZM	ZL			
44	COWL FR. LOWER	64300-MN5-000	ZU	ZH	ZY	YA			
45	CUSHION, L. ARMREST	81159-MN5-000	ZM	ZA	ZA	ZA			
46	CUSHION, R. ARMREST	81158-MN5-000	ZM	ZA	ZA	ZA			
47	DEFLECTOR, L. SIDE	64294-MN5-000	ZN	ZQ	ZW	ZV			
48	DEFLECTOR, R. SIDE	64284-MN5-000	ZN	ZQ	ZW	ZV			
49	EMBLEM A, SIDE COVER	83605-MAF-770	ZA	ZB	ZA	ZA			
50	EMBLEM, R. RR. (HONDA)	87111-MAF-770	ZA	ZB	ZA	ZA			
51	FAIRING COMP.	64200-MT8-000	---	ZJ	---	---			
52	FAIRING SET (WL)	64210-MAM-770	ZD	---	ZF	ZF			
53	FENDER A, FR.	61105-MN5-000	---	ZS	---	---			
54	FENDER A, RR.	80109-MN5-000	ZP	ZQ	ZW	ZV			
55	FENDER B, FR.	61106-MN5-000	ZW	ZS	ZX	ZW			
56	FENDER SET A, FR. (WL)	61100-MAM-770	ZD	---	ZE	ZF			
57	GRILLE, L. SPEAKER	64248-MN5-000	ZH	ZA	ZA	ZA			
58	GRILLE, R. SPEAKER	64243-MN5-000	ZH	ZA	ZA	ZA			
59	GRIP, L. PASSENGER	84120-MN5-000	ZH	ZA	ZA	ZA			
60	GRIP, R. PASSENGER	84110-MN5-000	ZH	ZA	ZA	ZA			
61	GROMMET, COMBINATION SWITCH	83161-MN5-000	ZH	ZA	ZA	ZA			
62	GROMMET, FR. PASSENGER GRIP	84111-MT2-000	ZL	ZA	ZA	ZA			
63	GROMMET, RR. PASSENGER GRIP	84112-MT2-000	ZL	ZA	ZA	ZA			
64	GUARD, FENDER	61102-MN5-000	ZA	ZA	ZA	ZA			
65	KNOB, TRUNK POCKET	81166-MN5-000	ZN	ZA	ZA	ZA			
66	LABEL, COLOR	87565-MAM-770	ZC	ZD	ZE	ZF			
67	LABEL, DRIVE	87560-MMB-670	ZA	ZA	ZA	ZA			
68	LABEL, FUEL	87585-MRS-670	ZA	ZA	ZA	ZA			
69	LABEL, HELMET HOLDER	87511-MMB-670	ZA	ZA	ZA	ZA			
70	LID COMP., L. EX. PIPE PROTECTOR	18435-MN5-770	ZL	ZQ	ZR	ZS			
71	LID COMP., L. SADDLEBAG	81420-MT8-000	---	ZK	---	---			
72	LID COMP., R. EX. PIPE PROTECTOR	18335-MN5-770	ZL	ZQ	ZR	ZS			
73	LID COMP., R. SADDLEBAG	81220-MT8-000	---	ZK	---	---			
74	LID COMP., TRUNK	81120-MZ3-770	---	ZA	---	---			
75	LID SET, L. SADDLEBAG (WL)	81475-MAM-770	ZE	---	ZF	ZG			
76	LID SET, R. SADDLEBAG (WL)	81275-MAM-770	ZE	---	ZF	ZG			
77	LID SET, TRUNK (WL)	81125-MAM-770	ZD	---	ZE	ZF			
78	LID, L. TRUNK POCKET	81165-MN5-000	ZM	ZA	ZA	ZA			
79	LID, R. TRUNK POCKET	81164-MN5-000	ZN	ZA	ZA	ZA			
80	LID, SHELTER	83131-MAF-000	ZD	ZB	ZB	ZB			

## COLOR TABLES

GOLD WING SE GL1500SE '95 (A) SC223\*SA700001 To Subsequent (AC) SC224\*SA700001 To Subsequent

MODEL		GL1500SE							
COLOR CODE		Candy spectral red R-126C	Pearl glacier white NH-326P	Pearl royal magenta RP-151P	Pearl sierra green G-155P	Serial number		Area code	
No.	Name of colored parts	Basic part No.	R176K	NH326P	RP151K	G155G	From	To	
81	MIRROR ASSY., L.	88120-MT8-000	ZJ	ZM	ZS	ZR			
82	MIRROR ASSY., R.	88110-MT8-000	ZJ	ZM	ZU	ZT			
83	MOULDING, L. COWL TRIM	64214-MN5-000	ZN	ZQ	ZW	ZV			
84	MOULDING, R. COWL TRIM	64204-MN5-000	ZN	ZQ	ZW	ZV			
85	OUTLET, FRESH AIR	64460-MN5-000	ZH	ZA	ZA	ZA			
86	PANEL COMP., METER	64241-MT8-770	ZF	ZB	ZB	ZB			
87	PANEL, FR. UNDER	64500-MN5-000	ZN	ZQ	ZW	ZV			
88	PLATE, HANDLE COVER SETTING	53113-MN5-000	ZH	ZA	ZA	ZA			
89	POCKET ASSY., L. TRUNK	81161-MN5-000	ZM	ZA	ZA	ZA			
90	POCKET ASSY., R. TRUNK	81160-MT8-770	ZJ	ZB	ZB	ZB			
91	PROTECTOR, L. CHAMBER	18415-MM5-870	ZK	ZP	ZQ	ZR			
92	PROTECTOR, L. EX. PIPE	18425-MM5-770	ZJ	ZN	ZP	ZQ			
93	PROTECTOR, L. RR. EX. PIPE	18326-MN5-000	ZU	ZH	ZY	YA			
94	PROTECTOR, R. CHAMBER	18315-MM5-870	ZK	ZP	ZQ	ZR			
95	PROTECTOR, R. EX. PIPE	18325-MM5-770	ZJ	ZN	ZP	ZQ			
96	SEAT COMP., BACK	77500-MT8-000	ZF	ZD	ZD	ZD			
97	SEAT COMP., DOUBLE	77203-MAM-770	ZB	ZA	ZA	ZA			
98	SHELTER COMP., L. SIDE	83120-MN5-000	---	ZQ	---	---			
99	SHELTER COMP., R. SIDE	83110-MN5-000	---	ZQ	---	---			
100	SHELTER SET, L. SIDE (WL)	83220-MAM-770	ZE	---	ZF	ZG			
101	SHELTER SET, R. SIDE (WL)	83210-MAM-770	ZE	---	ZF	ZG			
102	SHELTER, TOP	83150-MAM-000	ZE	ZA	ZA	ZA			
103	STRIPE, A. FR. FENDER	81110-MAM-770	ZC	---	ZD	ZE			
104	STRIPE, L. FAIRING	84203-MAM-770	ZC	---	ZD	ZE			
105	STRIPE, L. SADDLEBAG	81427-MAM-770	ZC	---	ZD	ZE			
106	STRIPE, L. SADDLEBAG	87118-MAM-770	ZC	---	ZD	ZE			
107	STRIPE, L. SIDE COVER	83715-MAM-770	ZC	---	ZD	ZE			
108	STRIPE, L. SIDE SHELTER	83225-MAM-770	ZC	---	ZD	ZE			
109	STRIPE, L. TRUNK BOX	81116-MAM-770	ZC	---	ZD	ZE			
110	STRIPE, R. FAIRING	84202-MAM-770	ZC	---	ZD	ZE			
111	STRIPE, R. SADDLEBAG	81227-MAM-770	ZC	---	ZD	ZE			
112	STRIPE, R. SADDLEBAG	87117-MAM-770	ZC	---	ZG	ZH			
113	STRIPE, R. SIDE COVER	83615-MAM-770	ZC	---	ZD	ZE			
114	STRIPE, R. SIDE SHELTER	83215-MAM-770	ZC	---	ZD	ZE			
115	STRIPE, R. TRUNK BOX	81115-MAM-770	ZC	---	ZD	ZE			
116	STRIPE, TRUNK LID	81122-MAM-770	ZC	---	ZD	ZE			

## COLOR TABLES

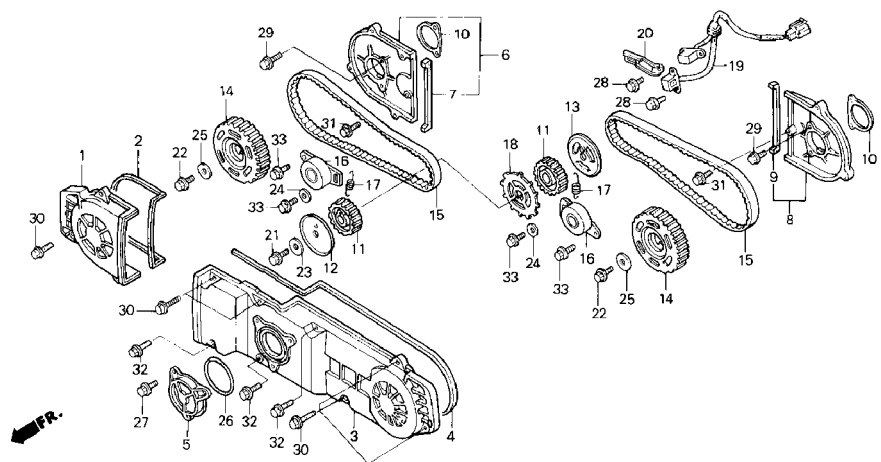
GOLD WING Interstate GL1500 I '95 (A) SC226\*SA700001 To Subsequent (AC) SC227\*SA700001 To Subsequent

No.	MODEL		Candy spectra red R-176C	Pearl sierra green G-156P	Serial number		Area code
	COLOR				From	To	
	CODE						
	Name of colored parts	Basic part No.	R176	G156			
45	FAIRING COMP.	64700-MT8-000	ZF	ZP			
46	FENDER A, FR.	61105-MN5-000	ZN	ZW			
47	FENDER A, RR.	80100-MN5-000	ZP	ZV			
48	FENDER B, FR.	61105-MN5-000	ZN	ZW			
49	GRILLE, L. SPEAKER	64248-MN5-000	ZH	ZA			
50	GRILLE, R. SPEAKER	64243-MN5-000	ZH	ZA			
51	GRIP, L. PASSENGER	84120-MN5-000	ZH	ZA			
52	GRIP, R. PASSENGER	84110-MN5-000	ZH	ZA			
53	GROMMET, COMBINATION SWITCH	83151-MN5-000	ZH	ZA			
54	GUARD, FENDER	61102-MN5-000	ZA	ZA			
55	KNOB, TRUNK POCKET	81156-MN5-000	ZN	ZA			
56	LABEL, COLOR	87565-MAM870	ZB	ZD			
57	LABEL, DRIVE	87560-MW0-670	ZA	ZA			
58	LABEL, FUEL	87585-MW0-670	ZA	ZA			
59	LABEL, HELMET HOLDER	87511-MW0-670	ZA	ZA			
60	LID COMP., L. SADDLEBAG	81420-MT8-000	ZG	ZQ			
61	LID COMP., R. SADDLEBAG	81220-MT8-000	ZG	ZQ			
62	LID SET, TRUNK (WL)	81125-MAM870	ZC	ZA			
63	LID, L. TRUNK POCKET	81165-MN5-000	ZM	ZA			
64	LID, R. TRUNK POCKET	81164-MN5-000	ZN	ZA			
65	LID, SHELTER	83131-MAF-000	ZD	ZB			
66	MIRROR ASSY., L.	88120-MN5-870	ZB	ZB			
67	MIRROR ASSY., R.	88110-MN5-870	ZB	ZB			
68	MOULDING, L. COWL TRIM	64214-MN5-000	ZN	ZV			
69	MOULDING, R. COWL TRIM	64204-MN5-000	ZN	ZV			
70	OUTLET, FRESH AIR	64490-MN5-000	ZH	ZA			
71	PANEL, FR. UNDER	64500-MN5-000	ZN	ZV			
72	PANEL, L. BLIND	83149-MN5-000	ZN	ZV			
73	PANEL, METER	64240-MT8-000	ZG	ZC			
74	PANEL, R. BLIND	83139-MN5-870	ZB	ZF			
75	PLATE, HANDLE COVER SETTING	53111-MN5-000	ZH	ZA			
76	POCKET ASSY., L. TRUNK	81161-MN5-000	ZM	ZA			
77	POCKET ASSY., R. TRUNK	81160-MN5-000	ZH	ZA			
78	PROTECTOR, L. CHAMBER	18415-MN5-870	ZK	ZR			
79	PROTECTOR, L. EX. PIPE	18425-MN5-000	ZE	ZH			
80	PROTECTOR, L. RR. EX. PIPE	18375-MN5-000	ZU	YA			
81	PROTECTOR, R. CHAMBER	18315-MN5-870	ZK	ZR			
82	PROTECTOR, R. EX. PIPE	18325-MN5-000	ZE	ZH			
83	SEAT COMP., BACK	77500-MN5-000	ZF	ZA			
84	SEAT COMP., DOUBLE	77200-MAM870	ZB	ZA			
85	SHELTER COMP., L. SIDE	83120-MN5-870	ZR	ZF			
86	SHELTER COMP., R. SIDE	83110-MN5-870	ZB	ZF			
87	SHELTER, TOP	83150-MAF-000	ZE	ZA			

Catalog Title:  
**GL1500A/SE/ '94 - '95**

Block No.  
**E 01**

Block Title:  
**FRONT COVER**



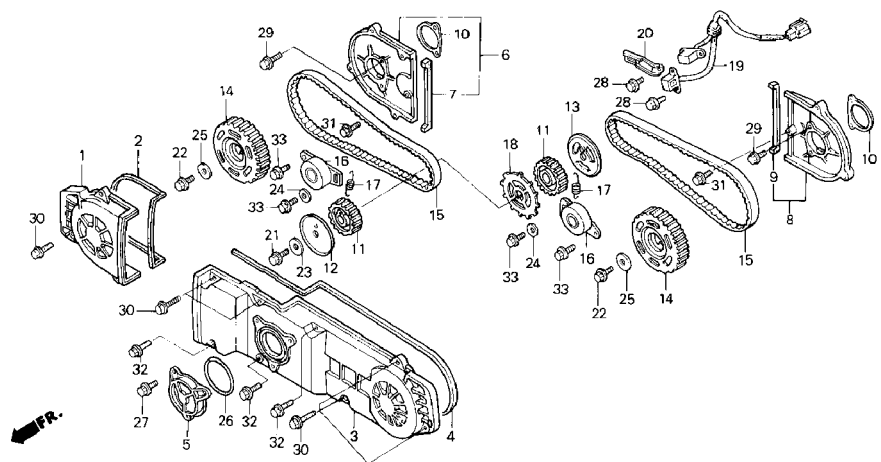
Ref. No.	Part No.	Description
1	11511-MN5-000	COVER, R. FR.
2	11514-MN5-000	GASKET, R. FR. COVER
3	11521-MN5-010	COVER, L. FR.
4	11524-MN5-000	GASKET, L. FR. COVER
5	11531-MN5-000	COVER, TIMING
6	11540-MN5-000	CVR, R. TIMING BELT
7	11542-MN5-300	GASKET, R.
8	11550-MN5-000	CVR, L. TIMING BELT
9	11552-MN5-300	GASKET, L.
10	11561-MN5-650	GASKET
11	13621-MN5-003	PULLEY
12	13622-MN5-000	PLATE
13	13623-MN5-000	PLATE
14	14210-MN5-000	PULLEY COMP.
15	14401-MN5-004	BELT, TIMING
16	14510-MG9-008	ADJ, TIMING BELT
17	14516-MN5-000	SPRING
18	30291-MN5-000	ROTOR, PULSER
19	30300-MN5-003	ALTERNATOR, PULSE
20	30305-MN5-000	CLAMP, PULSER WIRE
21	90005-MN5-000	BOLT, FLANGE (12X30)
22	90006-MN5-000	BOLT, FLANGE (8X20)
23	90402-MN5-000	WASHER (12X33X4)
24	90406-371-000	WASHER (8MM)
25	90435-611-000	WASHER (28X8.5X4.0)

Catalog Title:  
**GL1500A/SE/ '94 - '95**

Block No.  
**E 01**

Block Title:  
**FRONT COVER**

Ref. No.	Part No.	Description
26	91319-MN5-003	O-RING (82X3)
26	91351-HC4-003	O-RING (82X3)
27	95701-06014-08	BOLT, FLANGE (6X14)
28	95701-06016-08	BOLT, FLANGE (6X16)
29	95701-06020-08	BOLT, FLANGE (6X20)
30	95701-06025-08	BOLT, FLANGE (6X25)
31	95701-06028-08	BOLT, FLANGE (6X28)
32	95701-06032-08	BOLT, FLANGE (6X32)
33	95701-08022-08	BOLT, FLANGE (8X22)

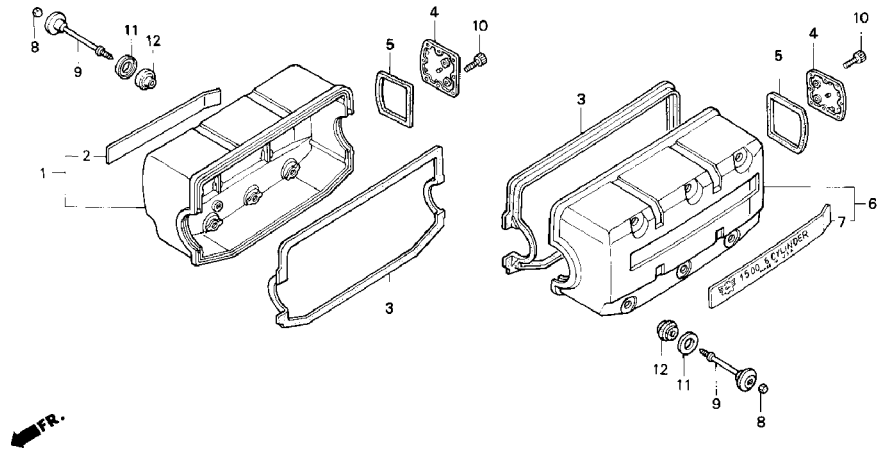


Catalog Title:  
**GL1500A/SE/I '94 - '95**

Block No.  
**E 02**

Block Title:  
**CYLINDER HEAD COVER**

Ref. No.	Part No.	Description
1	12310-MT8-770	COVER, R. CYL HD '94A/I, '95A/I
1	12310-MW5-770	COVER, R. CYL HD - SE'94'95
2	12313-MT8-770	EMBLEM, R.'94A/I, '95A/I
2	12313-MW5-770	EMBLEM, R.- SE'94'95
3	12314-MAF-000	GASKET, HEAD COVER
4	12317-MN5-000	COVER, RR. CYL HD
5	12318-MN5-000	GASKET, RR.
6	12320-MT8-770	COVER, L. CYL HD'94A/I, '95A/I
6	12320-MW5-770	COVER, L. CYL HD- SE'94'95
7	12323-MT8-770	EMBLEM, L.'94A/I, '95A/I
7	12323-MW5-770	EMBLEM, L. - SE'94'95
8	12392-MJ0-000	PLUG, HEX. (6MM)
9	90018-MN5-000	BOLT, SPECIAL (6X72)
10	90040-MN5-000	BOLT, SOCKET (6X18)
11	90541-MB0-000	WASHER
12	90542-MB0-000	RUBBER, SETTING

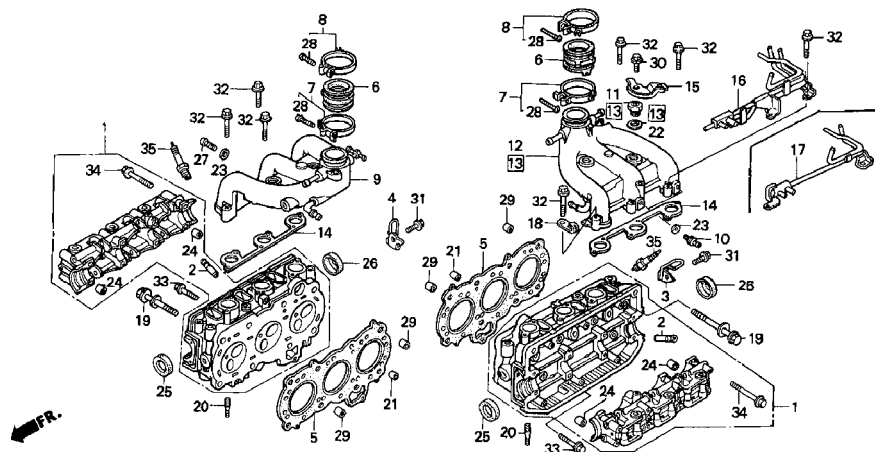


Catalog Title:  
GL1500A/SE/ '94 - '95

Block No.  
E 03

Block Title:  
CYLINDER HEAD

Ref. No.	Part No.	Description
1	12200-MT8-010	CYLINDER HEAD ASSY.
2	12204-MN5-305	GUIDE, VALVE (OS)
3	12214-MN5-000	CLAMP, TUBE
4	12215-MT2-000	CLAMP, TUBE
5	12251-MN5-004	GASKET, CYL HD
5	12251-MN5-305	GASKET (0.75/1.00)
6	16211-MN5-000	INSULATOR
7	16218-MN5-000	BAND A, INSULATOR
8	16219-MN5-000	BAND B, INSULATOR
9	17110-MY4-000	MANIFOLD, R. IN.
10	17113-MT8-000	JOINT
11	17116-MT2-740	BOLT, SEALING (20MM)
12	17120-MY4-000	MANIFOLD, L. IN.
13	17120-MY4-740	MANIFOLD, L. IN.
14	17231-MN5-004	GASKET, IN. MANIFOLD
15	17303-MT2-740	STAY, AIR VENT PIPE
16	17380-MT8-000	PIPE A, INSTALL - A'94'95, SE'94'95
17	17380-MW5-870	PIPE A, INSTALL - I'94'95
18	32170-443-850	CLIP, WIRE HARNESS
18	91403-663-000	CLAMP
19	90010-MT8-003	BOLT, FLANGE (9X91)
20	90035-MN5-000	BOLT, STUD (8-6X40)
21	90084-MN5-000	ORIFICE (2.0)
22	90441-MN5-000	WASHER (20MM)
23	90452-323-000	WASHER (5MM)

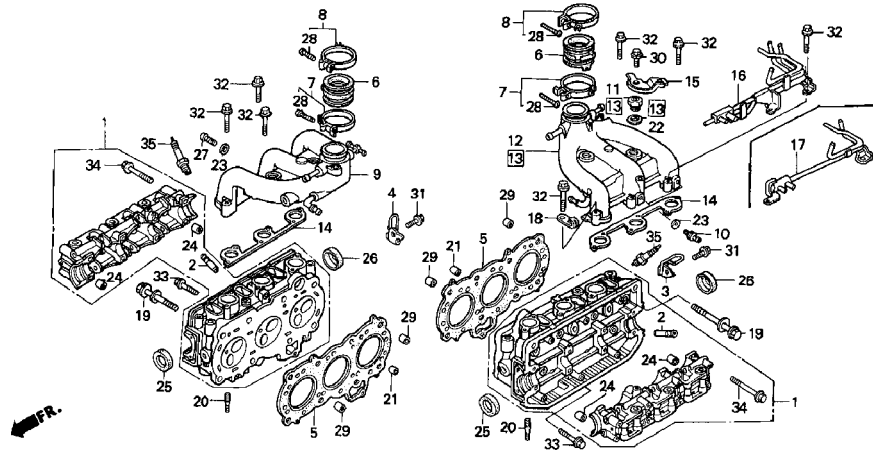


Catalog Title:  
**GL1500A/SE/ '94 - '95**

Block No.  
**E 03**

Block Title:  
**CYLINDER HEAD**

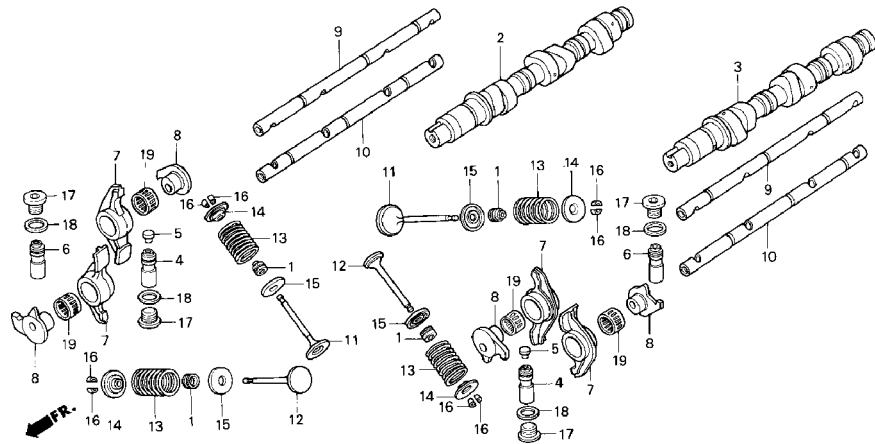
Ref. No.	Part No.	Description
24	90701-GB4-680	PIN, DOWEL (10X13.5)
25	91209-371-003	OIL SEAL (27X43X9)
26	91209-463-013	CAP, SEAL (43X9)
27	93500-05008-0A	SCREW, PAN (5X8)
28	93500-05025-0G	SCREW, PAN (5X25)
29	94301-12200	PIN, DOWEL (12X20)
30	95701-06010-08	BOLT, FLANGE (6X10)
31	95701-06014-08	BOLT, FLANGE (6X14)
32	95701-06035-08	BOLT, FLANGE (6X35)
33	95701-06040-08	BOLT, FLANGE (6X40)
34	95701-08080-00	BOLT, FLANGE (8X80)
35	98069-56916	S/PLG (DPR6EA-9)
35	98069-56926	S/PLG (X20EPR-U9)
35	98069-57916	S/PLG (DPR7EA-9)
35	98069-57926	S/PLG (X22EPR-U9)
35	98069-58916	S/PLG (DPR8EA-9)
35	98069-58926	S/PLG (X24EPR-U9)



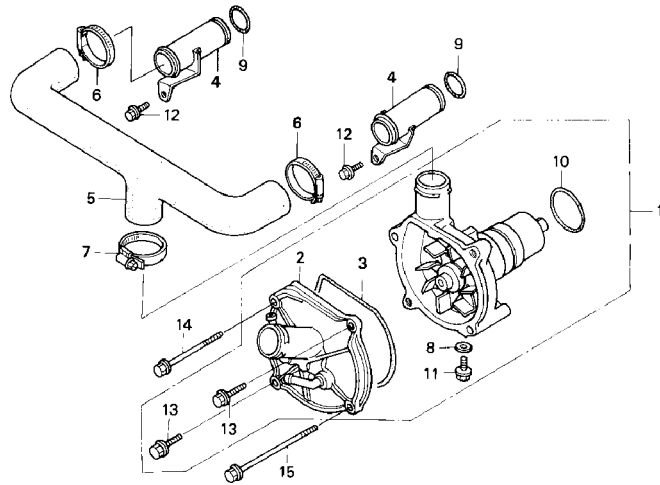
Catalog Title:  
**GL1500A/SE/I '94 - '95**

Block No.  
**E 04**

Block Title:  
**CAMSHAFT**



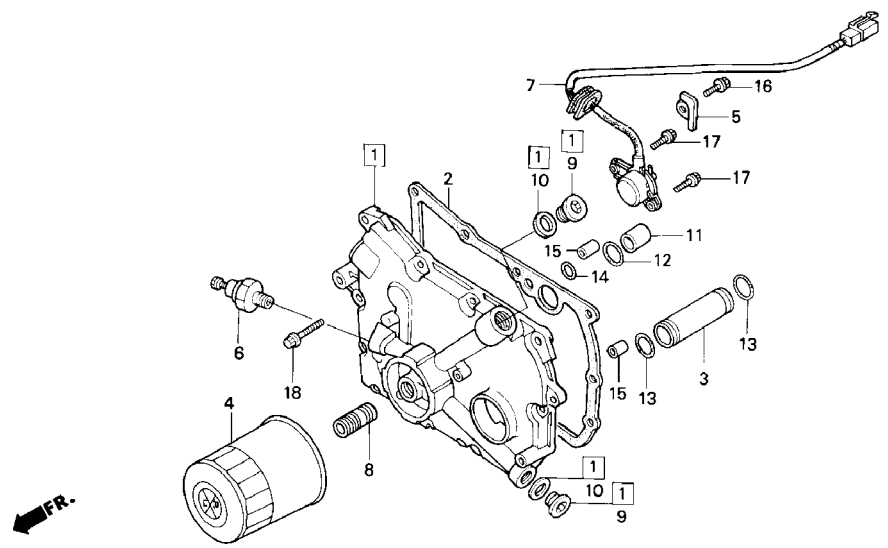
Ref. No.	Part No.	Description
1	12209-422-005	SEAL, VALVE STEM
2	14110-MT8-000	CAMSHAFT COMP., R.
3	14120-MT8-000	CAMSHAFT COMP., L.
4	14450-MN5-000	ADJUSTER
5	14454-MN5-000	CAP
6	14460-MN5-000	ADJUSTER
7	14611-MZ3-000	ARM, VALVE ROCKER
8	14621-MZ3-003	LOBE
9	14630-MN5-010	SHAFT COMP.
10	14640-MN5-010	SHAFT COMP.
11	14711-MZ3-000	VALVE, IN.
12	14721-MZ3-000	VALVE, EX.
13	14761-MN5-000	SPRING, VALVE
14	14771-MN5-000	RETAINER, VLV SPR
15	14775-MN5-000	SEAT, VALVE SPRING
16	14781-MB4-000	COTTER, VALVE
17	90032-MG9-000	BOLT
18	90491-MG9-000	SHIM (1.0)
19	91012-MZ3-003	BEARING (21X25X15.8)



FR.

Ref. No.	Part No.	Description
1	19200-MY4-010	WATER PUMP ASSY.
1	19200-MY4-020	WATER PUMP ASSY.
2	19221-MY4-010	COVER, WATER PUMP
3	19226-MN5-000	GASKET
4	19411-MN5-000	PIPE, WATER INLET
5	19414-MN5-000	HOSE, WATER INLET
6	19503-MB1-870	CLAMP, WATER HOSE
7	19515-MJ4-670	CLAMP, WATER HOSE
8	90463-ML7-000	WASHER (6.5MM)
9	91301-147-023	O-RING (18.3X2.3)
10	91302-MB0-013	O-RING (32.95X2.62)
11	95701-06012-08	BOLT, FLANGE (6X12)
12	95701-06014-08	BOLT, FLANGE (6X14)
13	95701-06025-08	BOLT, FLANGE (6X25)
14	95701-06060-08	BOLT, FLANGE (6X60)
15	95701-06095-08	BOLT, FLANGE (6X95)

Ref. No.	Part No.	Description
1	11360-MN5-000	COVER, TRANSMISSION
2	11391-MN5-650	GASKET, TRANS CVR
3	15311-MN5-000	PIPE, OIL PATH
4	15410-MM9-013	FILTER, OIL
5	30411-MN5-000	CLAMP
6	35500-MJ4-024	SWITCH, OIL PRESSURE
7	35759-MY4-000	SWITCH ASSY., CHANGE
8	90019-MB0-000	BOSS, OIL FILTER
9	90048-MN5-000	BOLT, SEALING (20MM)
10	90441-MN5-000	WASHER (20MM)
11	90706-MN5-000	PIN, DOWEL (14X12)
12	91303-377-000	O-RING (13.8X2.5)
13	91301-MC7-003	O-RING (15.8X2.5)
13	91305-MN5-003	O-RING (15.9X2.4)
14	91315-MN5-004	O-RING (5.4X3.2)
15	94301-08140	PIN, DOWEL (8X14)
16	95701-06014-08	BOLT, FLANGE (6X14)
17	95701-06016-08	BOLT, FLANGE (6X16)
18	95701-06025-08	BOLT, FLANGE (6X25)



Catalog Title:

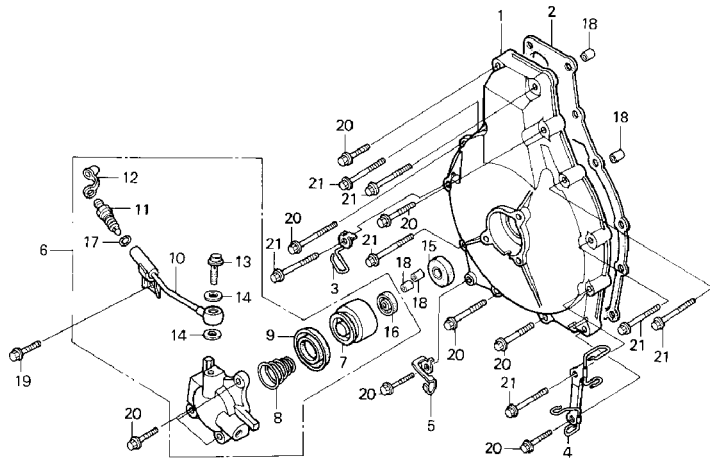
GL1500A/SE/I '94 - '95

Block No.

E 07

Block Title:

CLUTCH COVER

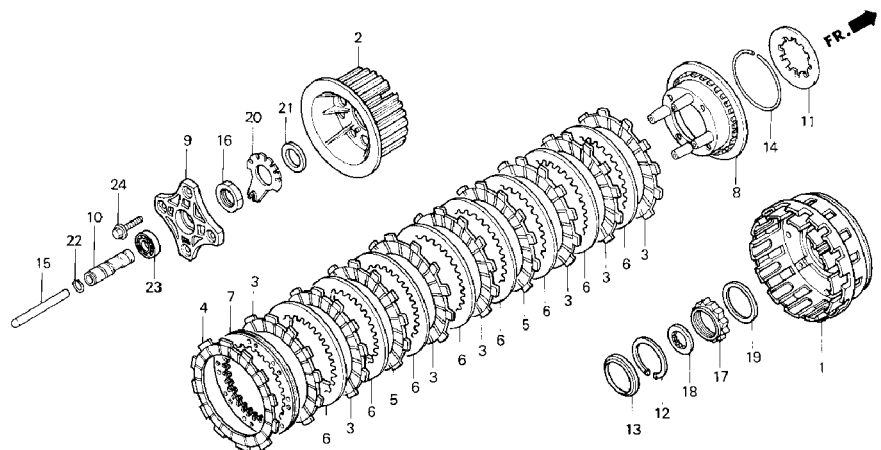


Ref. No.	Part No.	Description
1	11341-MN5-000	COVER, CLUTCH
2	11351-MN5-651	GASKET, CLUTCH COVER
3	11352-MY4-000	CLAMP A, TUBE
4	11354-MT2-000	CLAMP, TUBE
5	17127-MT2-000	CLAMP
6	22860-MN5-000	CYLINDER, SLAVE
7	22863-MJ8-003	PISTON
8	22864-MB0-003	SPRING
9	22865-MJ8-003	CUP, PISTON
10	22867-MN5-000	PIPE, BLEEDER
11	43352-MG9-006	SCREW, BLEEDER
12	43353-MG9-006	CAP, BLEEDER SCREW
12	43353-443-761	CAP, BLEEDER SCREW
12	43353-461-771	CAP, BLEEDER
13	90145-KM3-750	BOLT, OIL (10X22)
14	90545-300-000	WASHER, OIL BOLT
15	91204-MB0-013	OIL SEAL (8X25X8)
16	91209-MB0-003	OIL SEAL (8X18X5)
17	91355-MG9-006	O-RING
18	94301-08140	PIN, DOWEL (8X14)
19	95701-06014-08	BOLT, FLANGE (6X14)
20	95701-06028-08	BOLT, FLANGE (6X28)
21	95701-06040-08	BOLT, FLANGE (6X40)

Catalog Title:  
**GL1500A/SE/ '94 - '95**

Block No.  
**E 08**

Block Title:  
**CLUTCH**



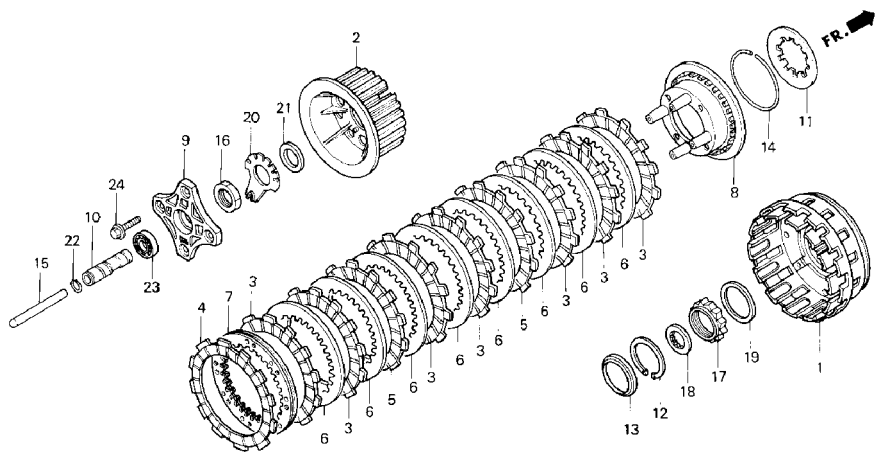
Ref. No.	Part No.	Description
1	22100-MT8-000	CLUTCH OUTER COMP.
1	22100-MT8-010	CLUTCH OUTER COMP.
2	22120-MT8-000	CENTER COMP., CLUTCH
3	22201-MT8-000	DISK A, CL FRICTION
4	22202-MT8-000	DISK B, CL FRICTION
5	22203-MT8-000	DISK C, CL FRICTION
6	22321-MN5-000	PLATE A, CLUTCH
7	22322-MN5-000	PLATE B, CLUTCH
8	22350-MN5-000	PLATE (30T)
9	22361-MN5-000	PLATE, CLUTCH LIFTER
10	22366-MN5-000	PIECE, CLUTCH END
11	22402-MN5-000	SPRING, CLUTCH
12	22422-MN5-000	RING
13	22423-MN5-000	SEAT, CLUTCH SPRING
14	22425-MN5-000	SEAT, CLUTCH SPRING
15	22851-MN5-010	ROD, CLUTCH LIFTER
16	90206-MN5-000	NUT (22MM)
17	90245-MN5-000	NUT, LOCK (40MM)
18	90403-MN5-000	WASHER (25MM)
19	90491-MN5-000	WASHER (40MM)
20	90496-MN5-010	WASHER, LOCK (22MM)
21	90498-MN5-000	WASHER (22.2X35X2.6)
22	90602-KE1-000	CLIP (10.6)
23	91008-MN5-003	BEARING (6201)
24	95701-06018-08	BOLT, FLANGE (6X18)

Catalog Title:  
**GL1500A/SE/ '94 - '95**

Block No.  
**E 08**

Block Title:  
**CLUTCH**

Ref. No.	Part No.	Description
24	95801-06018-08	BOLT, FLANGE (6X18)



Catalog Title:

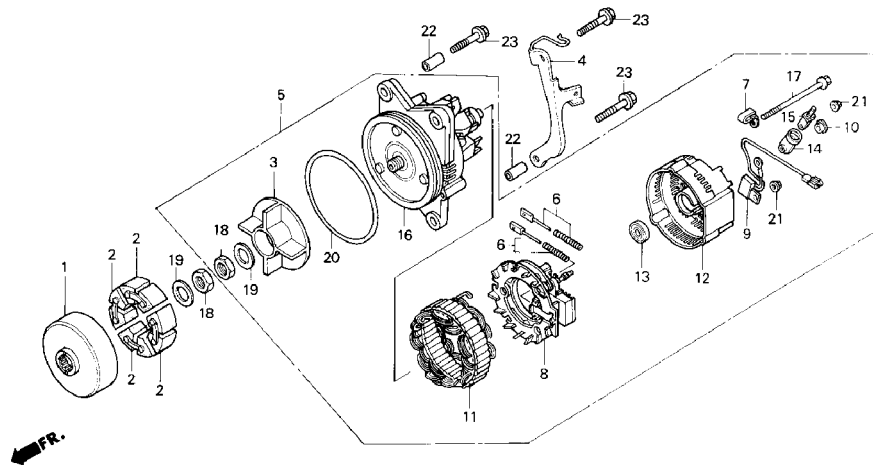
GL1500A/SE/I '94 - '95

Block No.

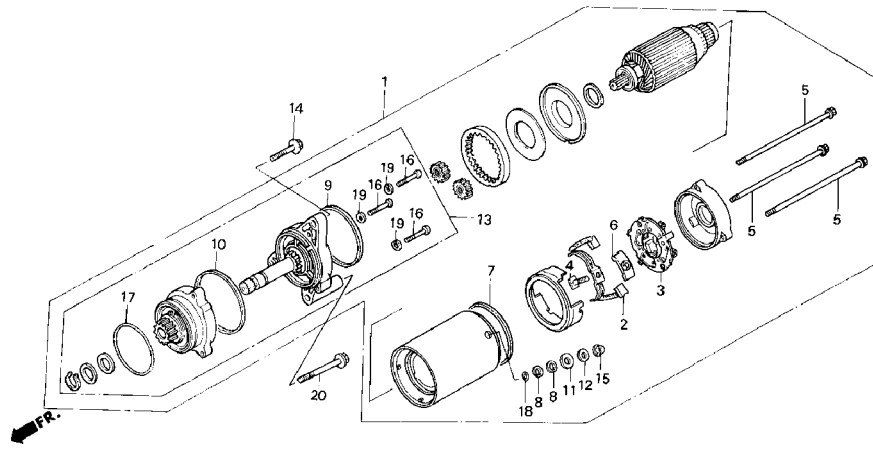
E 09

Block Title:

ALTERNATOR



Ref. No.	Part No.	Description
1	13531-MT8-000	COUPLE, ALTERNATOR
2	13534-MN5-020	RUBBER
3	13541-MN5-000	COUPLE, ALTERNATOR
4	17305-MT2-740	CLAMP, PCV TUBE
5	31100-MT2-005	ALTERNATOR ASSY.
6	31100-MT2-015	ALTERNATOR ASSY.
7	31101-MN5-005	BRUSH, ALTERNATOR
8	31103-MN5-005	CLAMP
9	31105-MN5-005	RECTIFIER, REGULATE
10	31108-MN5-005	WIRE, ALTERNATOR
11	31109-MN5-005	CAP, TERMINAL
12	31110-MN5-005	CORE COMP., STATOR
13	31112-MN5-005	COVER, RR.
14	31113-MN5-005	BEARING, RR.
15	31114-MN5-005	HOUSING, OUTPUT
16	31115-MN5-005	TERMINAL, OUTPUT
17	31120-MT2-005	CORE COMP., ROTOR
18	31120-MT2-015	CORE COMP., ROTOR
19	90062-MN5-005	BOLT, ALTERNATOR
20	90204-MN5-000	NUT, HEX. (14MM)
21	90408-MN5-000	WASHER (14.2X23X2.6)
22	91320-MN5-003	O-RING (84.5X4)
23	94071-05080	NUT-WASHER (5MM)
	94301-10160	PIN, DOWEL (10X16)
	95701-08038-08	BOLT, FLANGE (8X38)

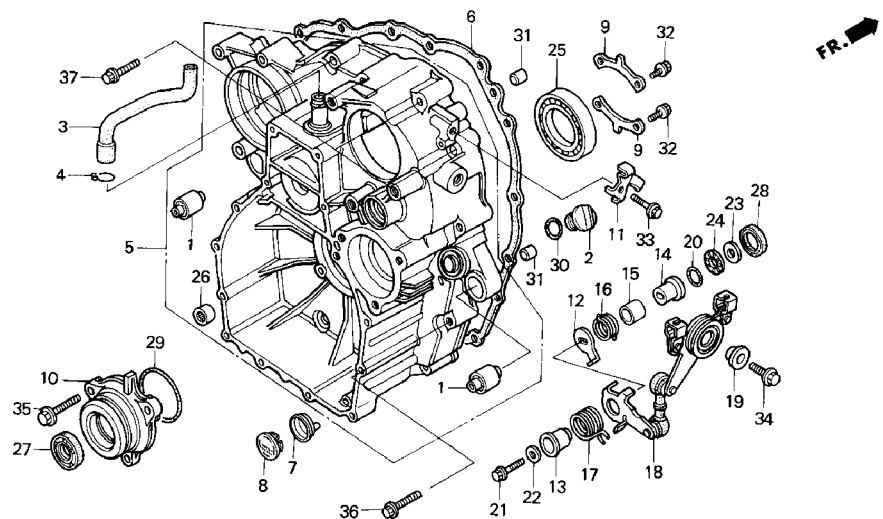


Ref. No.	Part No.	Description
1	31200-MT8-018	MOTOR ASSY. - A'94'95, SE'94'95
1	31200-MW5-871	MOTOR ASSY., STARTER - I'94'95
2	31201-MT8-008	BRUSH SET, TERMINAL
3	31203-MT8-008	HOLDER SET, BRUSH
4	31204-MN5-008	BOLT, TERMINAL
5	31205-MT8-008	BOLT, SETTING
6	31206-MN5-008	INSULATOR, TERMINAL
7	31207-KS5-901	RING
8	31207-MN5-008	WASHER, INSULATOR
9	31207-179-711	RING, SEAL
10	31208-MG9-004	RING- A'94'95, SE'94'95
11	31208-MN5-008	WASHER, INSULATOR
12	31209-MN5-008	WASHER (6MM)
13	31210-MT8-008	GEAR ASSY. - A'94'95, SE'94'95
13	31210-MW5-871	GEAR ASSY.- I'94'95
14	90013-MN5-000	BOLT, FLANGE (8X38)
15	90071-MB0-000	NUT-WASHER (6MM)
16	91001-MN5-008	BOLT (5X39) - A'94'95, SE'94'95
17	91309-MN5-008	O-RING (59.6X2.4)
18	91320-MB0-000	O-RING
19	94111-05000	WASHER, SPRING (5MM) - A'94'95, SE'94'95
20	95701-08060-08	BOLT, FLANGE (8X60)

Catalog Title:  
**GL1500A/SE/ '94 - '95**

Block No.  
**E 11**

Block Title:  
**REAR CASE**

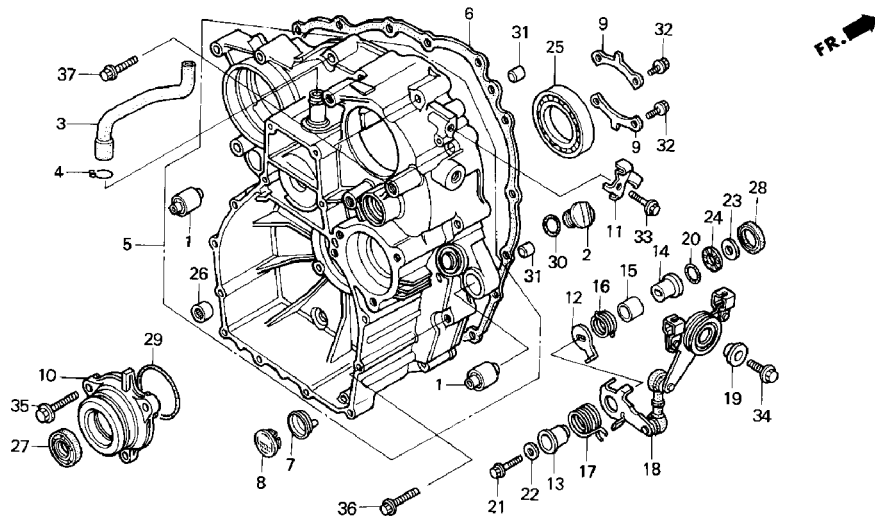


Ref. No.	Part No.	Description
1	11141-MN5-000	BUSH, ENGINE HANGER
2	15611-MB0-000	CAP, OIL FILLER
3	15761-MN5-000	TUBE, BREATHER
4	18532-634-670	CLIP (21.5)
5	21111-MT2-010	CASE COMP., RR.- A'94'95, SE'94'95
5	21110-MW5-870	CASE COMP., RR. - I'94'95
6	21112-MN5-650	GASKET, RR. CASE
7	21116-MT8-000	BODY
8	21117-MT8-000	CAP
9	21122-MN5-000	PLATE
10	23751-MN5-000	HOLDER
11	28214-MN5-000	PLATE- A'94'95, SE'94'95
11	28214-MN5-010	PLATE- A'94'95, SE'94'95
12	28215-MN5-000	PLATE, LOST MOTION- A'94'95, SE'94'95
13	28218-MN5-010	COLLAR (22MM)- A'94'95, SE'94'95
14	28219-MN5-010	COLLAR- A'94'95, SE'94'95
15	28221-MN5-000	BUSH, REVERSE SPRING- A'94'95, SE'94'95
16	28224-MN5-000	SPRING- A'94'95, SE'94'95
17	28226-MN5-000	SPRING, LOST MOTION- A'94'95, SE'94'95
18	28230-MT2-010	ARM, REVERSE SHIFT- A'94'95, SE'94'95
19	28234-MN5-000	COLLAR- A'94'95, SE'94'95
20	51996-SA5-800	O-RING- A'94'95, SE'94'95
21	90014-MN5-000	BOLT, FLANGE (6X20)- A'94'95, SE'94'95
22	90485-VM0-000	WASHER (6MM)- A'94'95, SE'94'95
23	90492-MN5-000	WASHER (12.2X23X1.6)- A'94'95, SE'94'95

Catalog Title:  
**GL1500A/SE/ '94 - '95**

Block No.  
**E 11**

Block Title:  
**REAR CASE**



Ref. No.	Part No.	Description
24	91001-147-006	BEARING (12MM)- A'94'95, SE'94'95
25	91002-MN5-003	BEARING (6010)
26	91024-GJ5-003	BEARING (12X16X10)- A'94'95, SE'94'95
27	91204-MN5-005	OIL SEAL (28X48X9)
28	91208-MN5-003	OIL SEAL (27X34X5)- A'94'95, SE'94'95
29	91304-MN5-003	O-RING (63X3)
29	91316-PT6-003	O-RING (62.4X3.1)
30	91307-425-003	O-RING (21.5X3.2)
31	94301-10160	PIN, DOWEL (10X16)
32	95701-06016-08	BOLT, FLANGE (6X16)
33	95701-08016-08	BOLT, FLANGE (8X16)- A'94'95, SE'94'95
34	95701-08025-08	BOLT, FLANGE (8X25)- A'94'95, SE'94'95
35	95701-08028-08	BOLT, FLANGE (8X28)
36	95701-08045-08	BOLT, FLANGE (8X45)
37	95701-08055-08	BOLT, FLANGE (8X55)

Catalog Title:

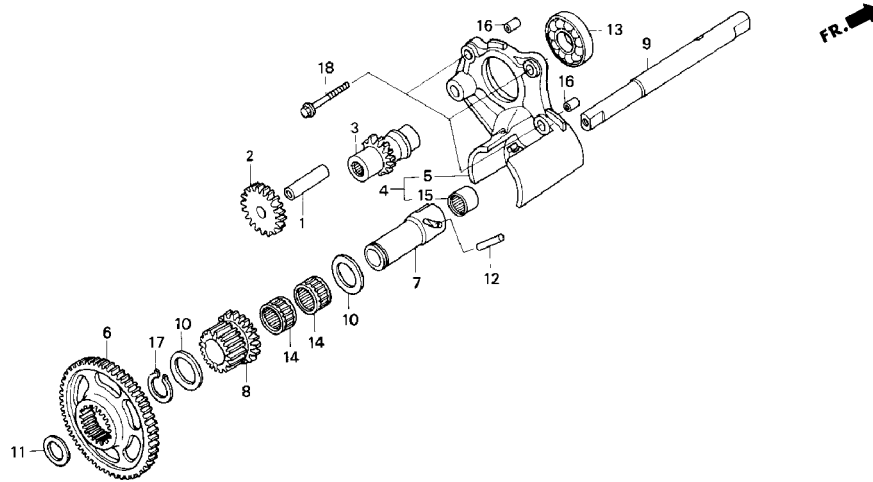
GL1500A/SE/I '94 - '95

Block No.

E 12

Block Title:

REVERSE GEAR

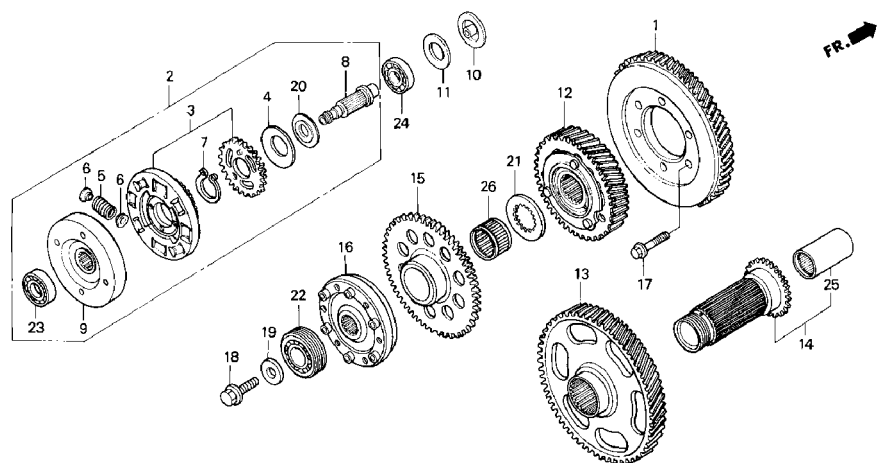


Ref. No.	Part No.	Description
1	13111-GK8-000	PIN, PISTON (10X33)
1	13111-GS7-000	PIN, PISTON
1	13111-122-000	PIN, PISTON (10X33)
2	28106-MN5-010	GEAR (19T)
3	28141-MN5-000	GEAR (15T)
4	28150-MN5-000	HOLDER COMP.- A'94'95, SE'94'95
5	28151-MN5-300	HOLDER - I '94'85
6	28162-MN5-000	GEAR (46T)- A'94'95, SE'94'95
7	28165-MN5-000	SHIFTER, REVERSE- A'94'95, SE'94'95
8	28171-MN5-000	GEAR (18T)- A'94'95, SE'94'95
9	28211-MN5-000	SHAFT- A'94'95, SE'94'95
10	90409-ML4-610	WASHER B (30X1.7)- A'94'95, SE'94'95
11	90492-MN5-000	WASHER (12.2X23X1.6)- A'94'95, SE'94'95
12	90702-MN5-000	ROLLAR (5X25)- A'94'95, SE'94'95
13	91007-MN5-003	BEARING (6904)
14	91051-727-000	BEARING (20X24X17)- A'94'95, SE'94'95
15	91101-121-691	BEARING, NEEDLE- A'94'95, SE'94'95
16	94301-08140	PIN, DOWEL (8X14)
17	94510-20000	CIRCLIP (20MM)- A'94'95, SE'94'95
18	95701-06032-08	BOLT, FLANGE (6X32)

Catalog Title:  
**GL1500A/SE/ '94 - '95**

Block No.  
**E 13**

Block Title:  
**PRIMARY DRIVE GEAR**



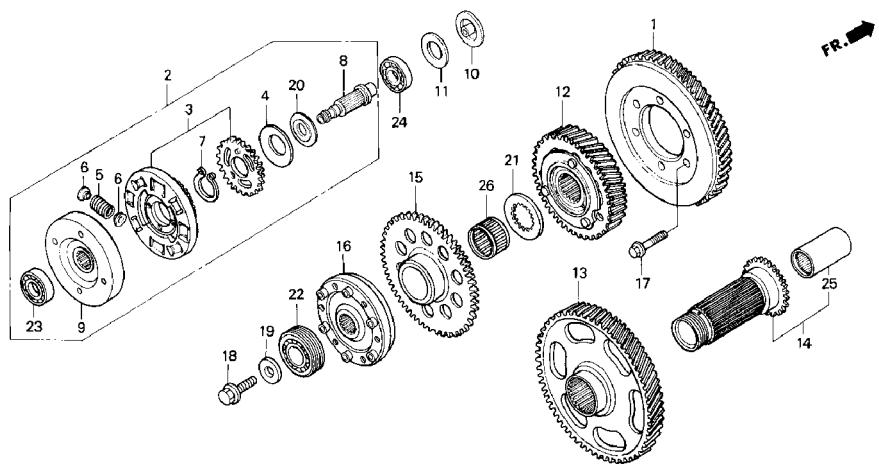
Ref. No.	Part No.	Description
1	13321-MT8-000	GEAR (103T)
2	13430-MT8-000	GEAR ASSY.
3	13434-MT8-305	GEAR SET
4	13435-MN5-300	SPRING
5	13436-MN5-004	SPRING
6	13438-MN5-310	SEAT, DAMPER SPRING
7	13439-MN5-310	SPRING
8	13452-MN5-310	SHAFT
9	13456-MN5-320	FLYWHEEL, ALTERNATOR
10	13459-MT8-000	PLATE
11	13538-MT8-000	SPRING, THRUST
12	23110-MN5-010	GEAR COMP. (49T)
13	23121-MN5-000	GEAR (78T)
14	23130-MN5-000	BOSS COMP.
15	28110-MN5-000	GEAR COMP. (66T)
16	28125-MN5-004	CLUTCH OUTER COMP.
17	90004-MN5-000	BOLT, UBS (8X20)
18	90005-MN5-000	BOLT, FLANGE (12X30)
19	90402-MN5-000	WASHER (12X33X4)
20	90413-MN5-000	WASHER (19.7X40X2.6)
21	90493-MN5-000	WASHER (28MM)
22	91009-MN5-003	BEARING (6205)
23	91015-MN5-003	BEARING (6003)
24	91016-MN5-003	BEARING (6003U)
25	91024-MN5-003	BEARING (28X35X60)

Catalog Title:  
**GL1500A/SE/ '94 - '95**

Block No.  
**E 13**

Block Title:  
**PRIMARY DRIVE GEAR**

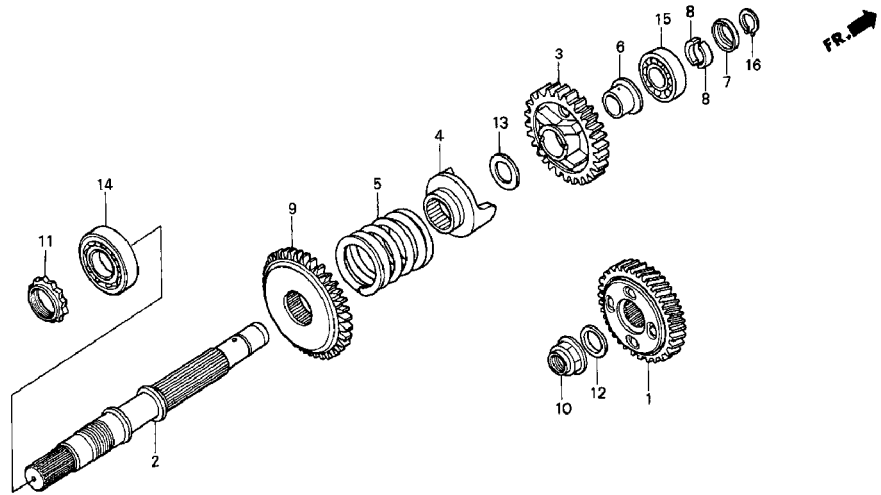
Ref. No.	Part No.	Description
26	91027-PC9-E01	BEARING (36X41X18.3)



Catalog Title:  
**GL1500A/SE/I '94 - '95**

Block No.  
**E 14**

Block Title:  
**FINAL GEARSHAFT**

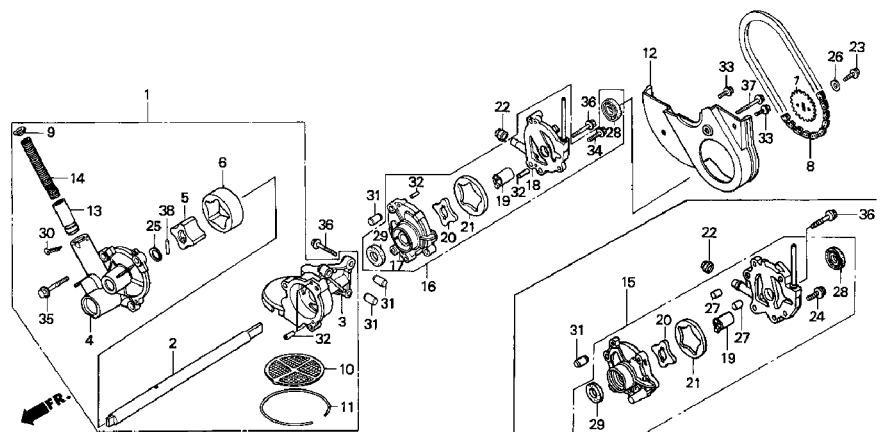


Ref. No.	Part No.	Description
1	23500-MT8-000	GEAR COMP. (35T)
2	23511-MN5-000	SHAFT, FINAL GEAR
3	23521-MT8-000	GEAR (34T)
4	23721-MN5-000	LIFTER, FINAL DAMPER
5	23732-MN5-000	SPRING, FINAL DAMPER
6	23733-MN5-000	COLLAR (22X26X27.1)
7	23741-MN5-000	RETAINER
8	23742-MN5-000	WASHER
9	28178-MN5-000	GEAR (45T)
10	90205-MN5-000	NUT, SPECIAL (22MM)
11	90241-MB0-000	NUT, LOCK (30MM)
12	90421-MN5-003	WASHER (22MM)
13	90498-MN5-000	WASHER (22.2X35X2.6)
14	91005-MN5-003	BEARING (22X52X15)
15	91006-MT3-003	BEARING (6206)
15	91011-MN5-003	BEARING (6206)
16	94510-22000	CIRCLIP (22MM)

Catalog Title:  
**GL1500A/SE/ '94 - '95**

Block No.  
**E 15**

Block Title:  
**OIL PUMP**

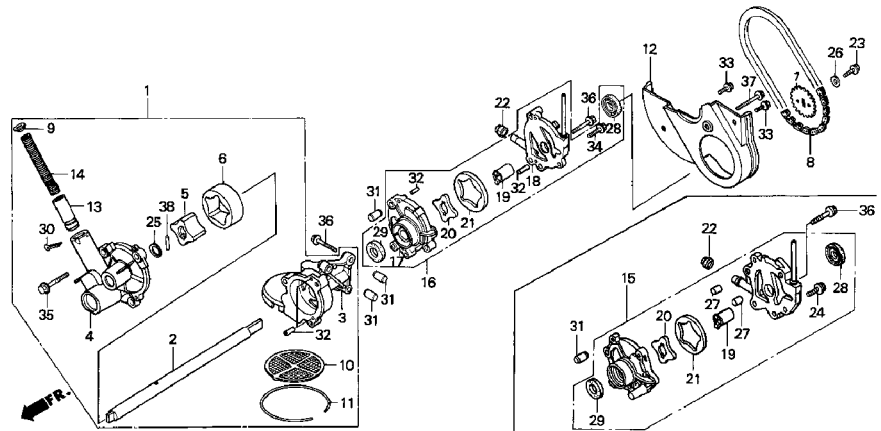


Ref. No.	Part No.	Description
1	15110-MN5-030	PUMP ASSY., OIL
2	15111-MN5-020	SHAFT, OIL PUMP
3	15112-MN5-000	BODY, OIL PUMP - ALL '94
4	15113-MN5-000	COVER, OIL PUMP- ALL '94
5	15124-MJ0-000	ROTOR (INNER)
6	15125-MJ0-000	ROTOR (OUTER)
7	15134-MN5-000	SPROCKET (24T)
8	15135-MN5-003	CHAIN (SC-0412HX54L)
9	15142-371-000	SEAT, RELIEF VALVE
10	15150-MG7-000	SCREEN, OIL PUMP
11	15160-PA5-003	RING, SNAP (92MM)
12	15171-MN5-000	GUIDE
13	15231-MN5-010	VALVE, RELIEF
14	15232-MN5-000	SPRING, RELIEF VALVE
15	15240-MAM-000	PUMP, SCAVENGE OIL - ALL '95
16	15240-MN5-010	PUMP, SCAVENGE OIL- ALL '94
17	15241-MN5-010	BODY- ALL '94
18	15242-MN5-010	COVER COMP.- ALL '94
19	15243-MN5-010	COLLAR, OIL PUMP
20	15244-MN5-000	ROTOR (INNER)
21	15245-MN5-000	ROTOR (OUTER)
22	15247-MN5-000	GROMMET
23	90021-KE8-010	BOLT, HEX. (6X16)
24	90121-952-000	BOLT, FLANGE (6X25)- ALL '95
25	90456-MC7-000	WASHER (13MM)

Catalog Title:  
**GL1500A/SE/ '94 - '95**

Block No.  
**E 15**

Block Title:  
**OIL PUMP**

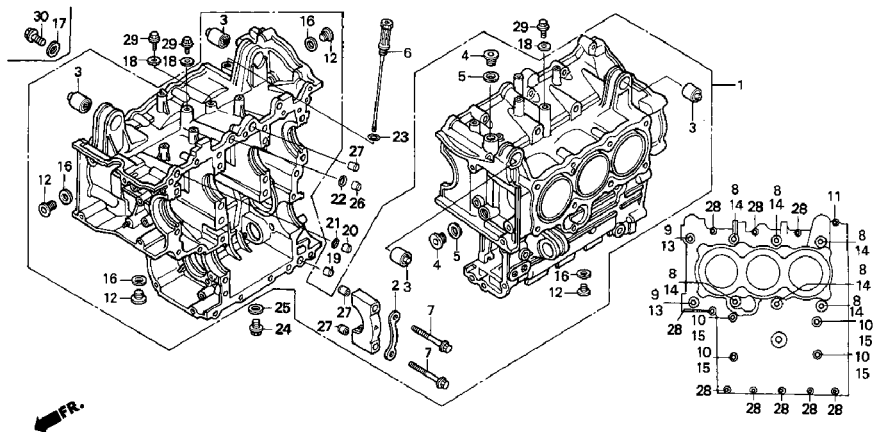


Ref. No.	Part No.	Description
26	90488-MB0-000	WASHER (6X2.3)
27	90501-MB0-000	PIN, DOWEL (8X14)- ALL '95
28	91211-MN5-003	OIL SEAL (16X24X4)
29	91212-MN5-003	OIL SEAL (13X21X4)
30	94201-30250	PIN, SPLIT (3.0X25)
30	94201-30300	PIN, COTTER (3X30)
30	94201-30400	PIN, COTTER (3.0X40)
30	94201-30450	PIN, SPLIT (3.0X45)
31	94301-08140	PIN, DOWEL (8X14)
32	94303-05080	PIN, DOWEL (5X8)
33	95701-06014-08	BOLT, FLANGE (6X14)
34	95700-06018-00	BOLT, FLANGE (6X18)- ALL '94
34	95701-06018-00	BOLT, FLANGE (6X18)- ALL '94
35	95701-06022-00	BOLT, FLANGE (6X22)
36	95701-06032-08	BOLT, FLANGE (6X32)
37	95701-06045-08	BOLT, FLANGE (6X45)
38	96220-50178	ROLLER (5X17.8)

Catalog Title:  
**GL1500A/SE/ '94 - '95**

Block No.  
**E 16**

Block Title:  
**CYLINDER BLOCK**



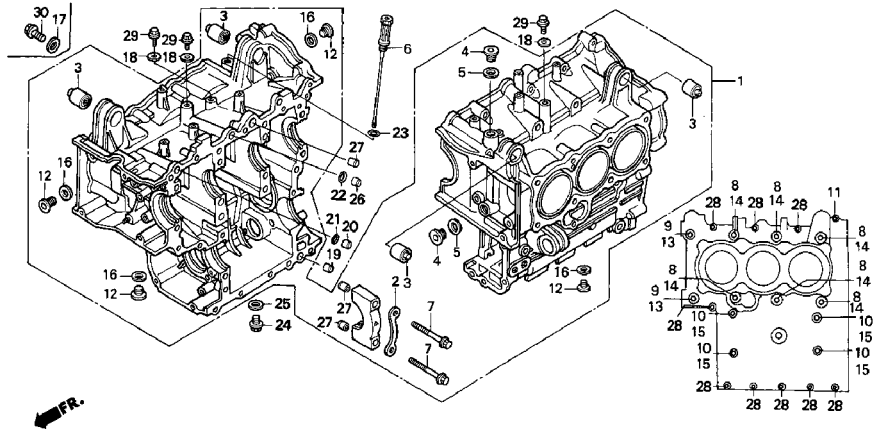
Ref. No.	Part No.	Description
1	04911-MZ3-711	BLOCK ASSY. (SC22E)
1	11000-MN5-040	BLOCK, CYLINDER
1	11000-MN5-050	BLOCK, CYLINDER
2	11125-MN5-010	PLATE, BEARING CAP
3	11131-MN5-000	BUSH, ENGINE HANGER
4	12206-ML8-300	BOLT, SEALING (18MM)
5	12207-611-300	WASHER, SEALING BOLT
6	15650-MN5-000	DIPSTICK, OIL
7	90003-MN5-013	BOLT, FLANGE (10X87)
8	90009-371-015	BOLT, FLG (10X120)
9	90011-MN5-004	BOLT, FLG (10X135)
10	90012-MN5-000	BOLT, FLANGE (8X123)
11	90019-MN5-000	BOLT, FLANGE (6X35)
12	90048-MN5-000	BOLT, SEALING (20MM)
13	90403-ML4-610	WASHER (10MM)
14	90438-463-000	WASHER (11X21X2.3)
15	90441-MG8-000	WASHER (8MM)
16	90441-MN5-000	WASHER (20MM)
17	90443-MB0-000	WASHER (10MM) - I'94'95
18	90495-MN5-000	WASHER (8MM)
19	90702-371-000	COLLAR (15X20)
20	90706-MN5-000	PIN, DOWEL (14X12)
21	91303-377-000	O-RING (13.8X2.5)
22	91301-MJ0-003	O-RING (7.8X1.9)
22	91313-MN5-004	O-RING (7.8X1.9)

Catalog Title:  
**GL1500A/SE/ '94 - '95**

Block No.  
**E 16**

Block Title:  
**CYLINDER BLOCK**

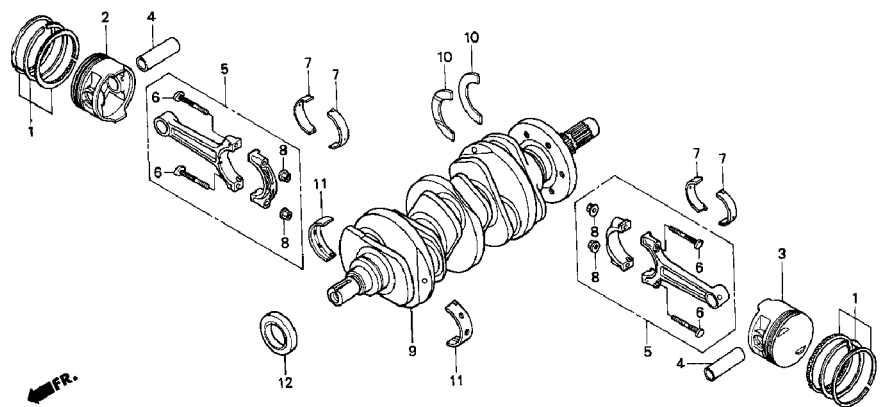
Ref. No.	Part No.	Description
23	91316-MJ8-003	O-RING (8.4X2.4)
24	92800-14000	BOLT (14MM)
25	94109-14000	WASHER (14MM)
26	94301-08140	PIN, DOWEL (8X14)
27	94301-12200	PIN, DOWEL (12X20)
28	95701-06035-08	BOLT, FLANGE (6X35)
29	95701-08016-08	BOLT, FLANGE (8X16)
30	95701-10016-08	BOLT, FLANGE (10X16) - I'94'95



Catalog Title:  
**GL1500A/SE/ '94 - '95**

Block No.  
**E 17**

Block Title:  
**CRANKSHAFT**

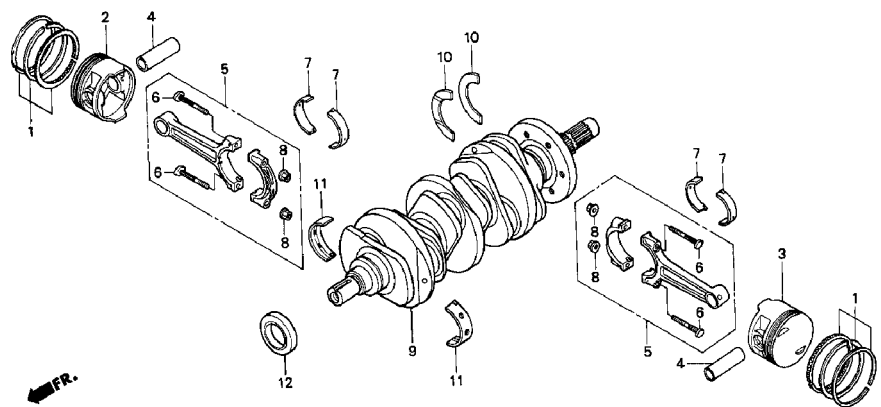


Ref. No.	Part No.	Description
1	13011-MN5-305	RING SET (STD)
1	13011-MN5-306	RING SET (STD)
1	13021-MN5-305	RING SET (OS 0.25)
1	13021-MN5-306	RING SET (OS 0.25)
1	13031-MN5-305	RING SET (OS 0.50)
1	13031-MN5-306	RING SET (OS 0.50)
1	13041-MN5-305	RING SET (0.75)
1	13041-MN5-306	RING SET (OS 0.75)
1	13051-MN5-305	RING SET (1.00)
1	13051-MN5-306	RING SET (OS 1.00)
2	13062-MAM-305	PISTON SET,R OS 0
2	13101-MT2-000	PISTON, R. (STD)
2	13103-MT2-305	PISTON, R. (OS 0.25)
2	13104-MT2-305	PISTON, R. (OS 0.50)
2	13105-MT2-305	PISTON, R. (0.75)
2	13106-MT2-305	PISTON, R. (1.00)
3	13102-MT2-000	PISTON, L. (STD)
3	13107-MT2-305	PISTON, L. (OS 0.25)
3	13108-MT2-305	PISTON, L. (OS 0.50)
3	13109-MT2-305	PISTON, L. (0.75)
3	13111-MT2-305	PISTON, L. (1.00)
4	13111-MT2-010	PIN, PISTON
5	13201-MT2-000	ROD A, CONNECTING
5	13202-MT2-000	ROD B, CONNECTING
5	13203-MT2-000	ROD C, CONNECTING

Catalog Title:  
**GL1500A/SE/ '94 - '95**

Block No.  
**E 17**

Block Title:  
**CRANKSHAFT**



Ref. No.	Part No.	Description
5	13204-MT2-000	ROD D, CONNECTING
5	13205-MT2-000	ROD E, CONNECTING
6	13213-MC7-004	BOLT, CONNECTING ROD
6	13213-MS2-610	BOLT, CONNECTING ROD
7	13214-MN5-003	BEARING A, CONN ROD BLUE
7	13215-MN5-003	BEARING B, CONN ROD BLACK
7	13216-MN5-003	BEARING C, CONN ROD BROWN
7	13217-MN5-003	BEARING D, CONN ROD GREEN
7	13218-MN5-003	BEARING E, CONN ROD YELLOW
8	13215-ML7-000	NUT, CONNECTING ROD
9	13310-MN5-010	CRANKSHAFT COMP.
10	13312-MN5-003	BEARING, THRUST
11	13314-MN5-003	BEARING A, MAIN BLUE
11	13315-MN5-003	BEARING B, MAIN BLACK
11	13316-MN5-003	BEARING C, MAIN BROWN
11	13317-MN5-003	BEARING D, MAIN GREEN
11	13318-MN5-003	BEARING E, MAIN YELLOW
12	91201-MN5-003	OIL SEAL (35X59X8)

## Main bearing selection

(Oil clearance 27~45  $\mu\text{m}$ )

Crankcase I.D. 54 $\phi$		I	II	III	
		0 ~ +0.006	+0.006 ~ +0.012	+0.012 ~ +0.018	
Crankshaft O.D. 50 $\phi$	1	-0.006 ~ -0.012	YELLOW	GREEN	BROWN
	2	0.012 ~ -0.018	GREEN	BROWN	BLACK
	3	-0.018 ~ -0.024	BROWN	BLACK	BLUE

## Connecting rod bearing selection

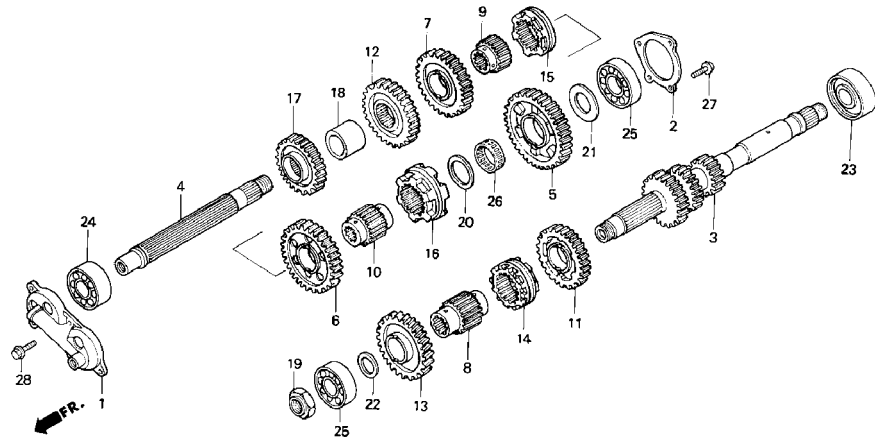
(Oil clearance 28~46  $\mu\text{m}$ )

Connecting rod I.D. 47 $\phi$		1	2 or II	3 or III	
		0 ~ +0.006	+0.006 ~ +0.012	+0.012 ~ +0.018	
Crank pin O.D. 44 $\phi$	A	-0.006 ~ -0.012	YELLOW	GREEN	BROWN
	B	-0.012 ~ -0.018	GREEN	BROWN	BLACK
	C	0.018 ~ 0.024	BROWN	BLACK	BLUE

Catalog Title:  
**GL1500A/SE/ '94 - '95**

Block No.  
**E 18**

Block Title:  
**TRANSMISSION**



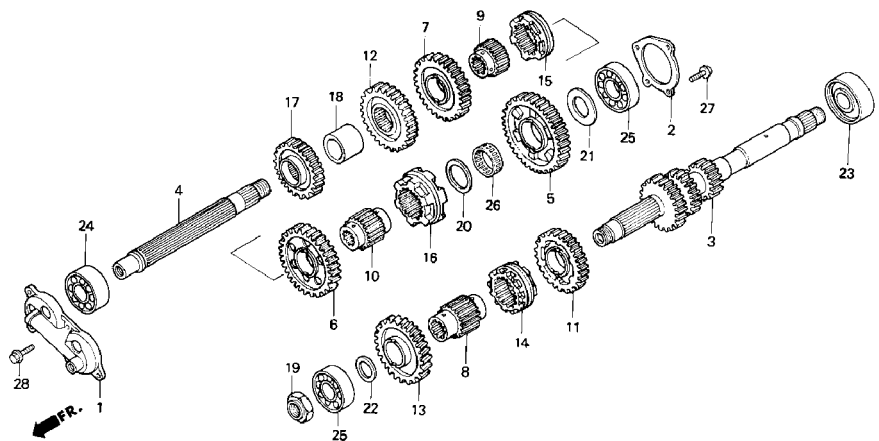
Ref. No.	Part No.	Description
1	23150-MN5-000	HOLDER COMP.
2	23161-MN5-000	PLATE
3	23210-MN5-000	MAINSHAFT COMP.
4	23220-MN5-000	COUNTERSHAFT COMP.
5	23421-MT8-000	GEAR (40T)
6	23441-MT8-000	GEAR (31T)
7	23451-MT8-000	GEAR (28T)
8	23455-MN5-010	COLLAR (28X43X69)
9	23456-MT8-000	COLLAR (28X43X34.4)
10	23457-MN5-000	COLLAR (28X43X59.4)
11	23461-MT8-000	*23010-MAM-305
12	23471-MT8-000	GEAR (27T)
13	23481-MN5-000	GEAR (29T)
14	23483-MT8-000	*23010-MAM-305
15	23484-MT8-000	SHIFTER, CENTER
16	23485-MT8-000	SHIFTER, RR.
17	23491-MT8-000	GEAR (22T)
18	23492-MT8-000	COLR (27.8X35X28.6)
19	90201-MN5-000	NUT, HEX. (22MM)
19	90201-MZ0-000	NUT, HEX. (22MM)
20	90467-MN5-000	WASHER (35.2X46X1.6)
21	90468-MN5-000	WASHER (25X47X2.6)
22	90471-MN5-000	WASHER (25X40X2.6)
23	91001-MN5-003	BEARING (28X54X20.6)
24	91003-MN5-003	BEARING (63/22)

Catalog Title:  
**GL1500A/SE/ '94 - '95**

Block No.  
**E 18**

Block Title:  
**TRANSMISSION**

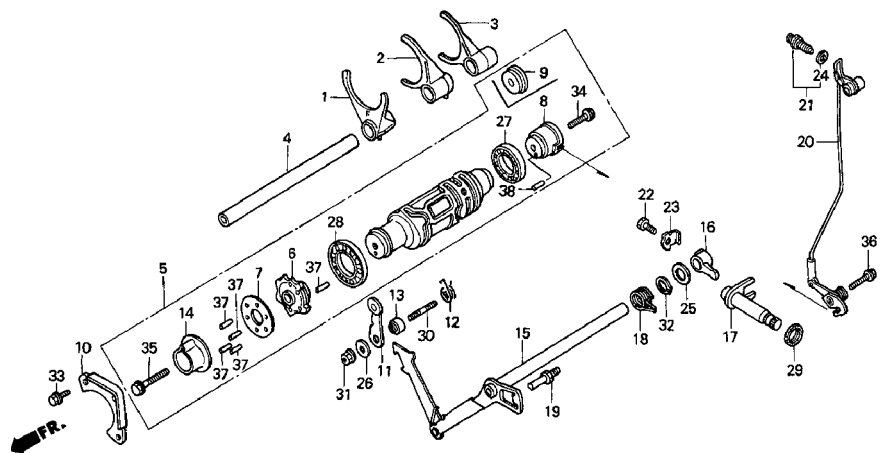
Ref. No.	Part No.	Description
25	91006-MN5-003	BEARING (6305)
26	91014-MN5-003	BEARING (35X40X16)
27	95701-06016-08	BOLT, FLANGE (6X16)
28	95701-06020-08	BOLT, FLANGE (6X20)



Catalog Title:  
**GL1500A/SE/ '94 - '95**

Block No.  
**E 19**

Block Title:  
**GEARSHIFT FORK**



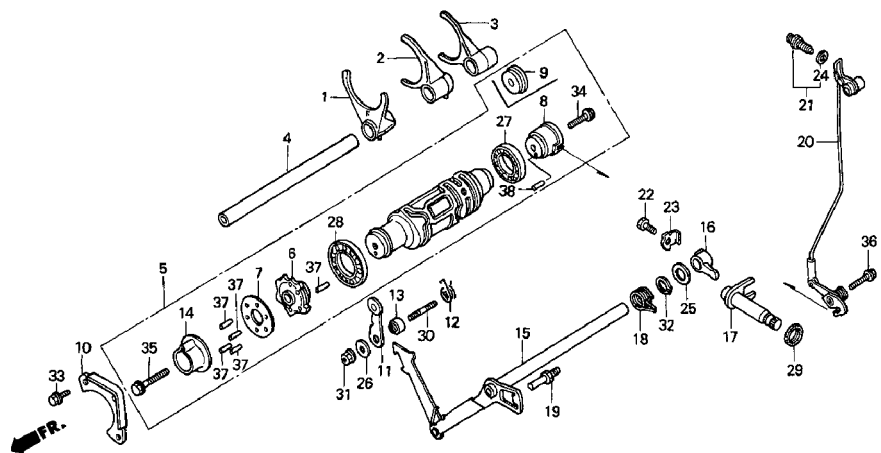
Ref. No.	Part No.	Description
1	24211-MN5-000	FORK, FR. GEARSHIFT
2	24212-MN5-000	FORK
3	24213-MN5-000	SWINGARM, GEARSHIFT
4	24251-MN5-000	SHAFT, SHIFT FORK
4	24251-MZ0-000	SHAFT, SHIFT FORK
5	24300-MAM-A60	DRUM, GEARSHIFT - A'94'95, SE'94'95
5	24300-MT8-000	DRUM, GEARSHIFT - A'94'95, SE'94'95
5	24300-MW5-870	DRUM, GEARSHIFT - I'94'95
6	24302-MN5-000	CAM, SHIFT DRUM
7	24303-MN5-000	PLATE
8	24305-MN5-000	CAM - A'94'95, SE'94'95
9	24305-MW5-870	COLLAR - I'94'95
10	24307-MN5-000	PLATE, DRUM SET
11	24430-MN5-000	STOPPER COMP.
12	24435-MN5-000	SPRING, DRUM STOPPER
13	24437-MN5-000	COLLAR
14	24443-MN5-000	JOINT, SHIFT DRUM
15	24610-MN5-000	ARM COMP., GEARSHIFT
16	24615-MN5-000	ARM B, GEARSHIFT
17	24620-MN5-000	SPINDLE, GEARSHIFT
18	24651-MN5-000	SPRING, SHIFT RETURN
19	24652-028-000	PIN
20	28250-MN5-010	ARM COMP. - A'94'95, SE'94'95
21	35600-MM5-003	SWITCH, NEUTRAL - A'94'95, SE'94'95
22	90009-MN5-000	BOLT, HEX. (8X17)

Catalog Title:  
**GL1500A/SE/ '94 - '95**

Block No.  
**E 19**

Block Title:  
**GEARSHIFT FORK**

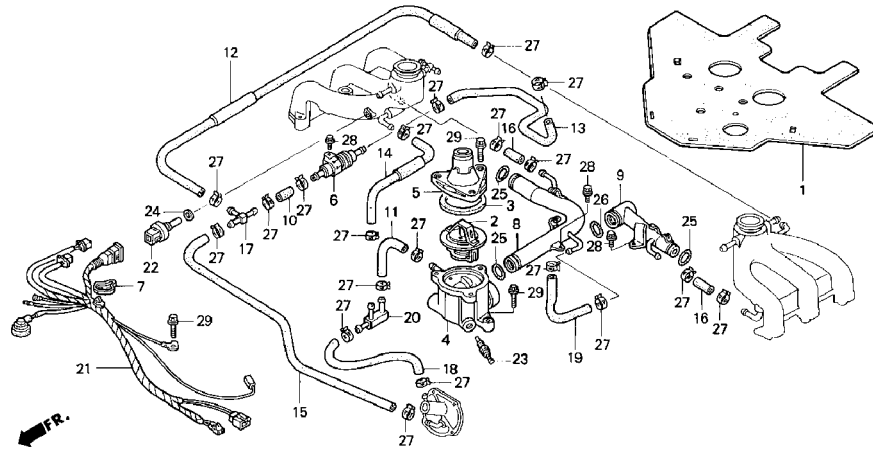
Ref. No.	Part No.	Description
23	90406-422-000	WASHER, LOCK (8MM)
24	90443-MJ6-000	WASHER, NEUTRAL - A'94'95, SE'94'95
25	90487-MN5-000	WASHER (14.2X28X2.3)
26	90488-MB0-000	WASHER (6X2.3)
27	91007-MN5-003	BEARING (6904)
28	91008-374-003	BEARING (16005)
29	91206-286-013	OIL SEAL (14X28X7)
30	92900-06025-0B	BOLT, STUD (6X25)
31	94050-06000	NUT, FLANGE (6MM)
32	94510-14000	CIRCLIP (14MM)
33	95701-06016-08	BOLT, FLANGE (6X16)
34	95701-06022-08	BOLT, FLANGE (6X22)
35	95701-08040-08	BOLT, FLANGE (8X40)
36	95801-06028-08	BOLT, FLANGE (6X28) - A'94'95, SE'94'95
37	96220-40148	ROLLER (4X14.8)
38	96220-40148	ROLLER (4X14.8) - A'94'95, SE'94'95



Catalog Title:  
**GL1500A/SE/ '94 - '95**

Block No.  
**E 20**

Block Title:  
**WATER PIPE**



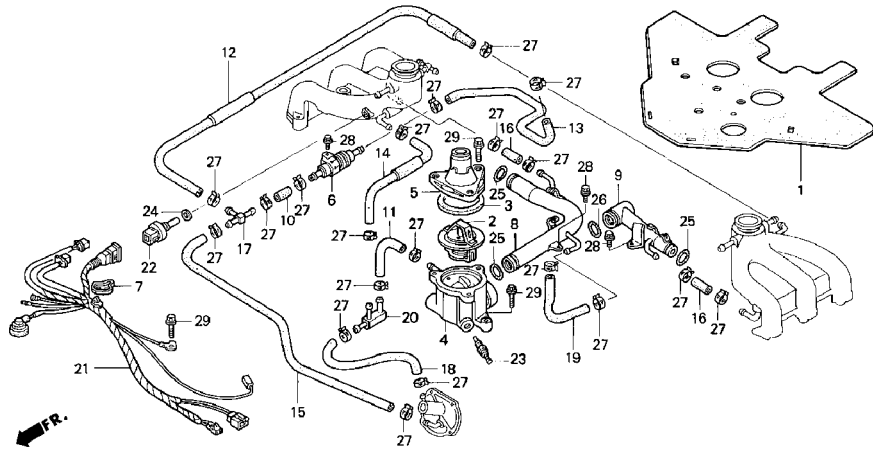
Ref. No.	Part No.	Description
1	19050-MT2-010	RUBBER
2	19300-611-005	THERMOSTAT UNIT
3	19305-MN5-000	RUBBER, THERMOSTAT
4	19310-MT8-000	CASE, THERMOSTAT
4	19310-MT8-010	CASE, THERMOSTAT
5	19320-MN5-000	COVER, THERMOSTAT
6	19330-MY4-004	VALVE, THERMO
6	19330-MZ3-621	VALVE
7	19333-MN5-000	STAY, WIRE HARNESS
8	19422-MY4-000	PIPE, R.
9	19423-MW5-000	PIPE, L.
10	19511-MY4-000	TUBE, WATER
11	19512-MT8-000	TUBE, WATER
12	19513-MY4-000	TUBE, WATER
13	19514-MN5-000	TUBE D, WATER
14	19515-MY4-000	TUBE, WATER
15	19516-MY4-000	TUBE, WATER
16	19517-MT8-000	TUBE H, WATER
17	19518-MN5-010	JOINT, THREE-WAY
18	19521-MY4-000	HOSE, WATER
19	19522-MY4-000	TUBE, WATER
20	19525-MT8-000	JOINT, THREE-WAY
21	32104-MT8-000	SUB-HARNESS, ENGINE
22	36151-MT8-003	SENSOR, COOLANT TEMP
23	37750-PC1-004	SENDING UNIT

Catalog Title:  
**GL1500A/SE/ '94 - '95**

Block No.  
**E 20**

Block Title:  
**WATER PIPE**

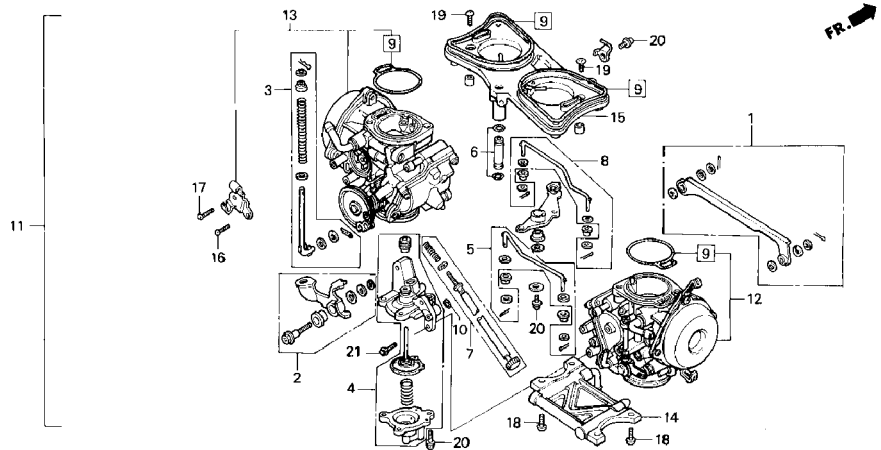
Ref. No.	Part No.	Description
24	90454-MC7-000	WASHER (12MM)
25	91301-147-023	O-RING (18.3X2.3)
26	91351-KE1-000	O-RING (21.8X2.4)
27	91405-PD1-004	CLAMP, TUBE (D12)
28	95701-06014-08	BOLT, FLANGE (6X14)
29	95701-06025-08	BOLT, FLANGE (6X25)



Catalog Title:  
**GL1500A/SE/I '94 - '95**

Block No.  
**E 21**

Block Title:  
**CARBURETOR ASSEMBLY**

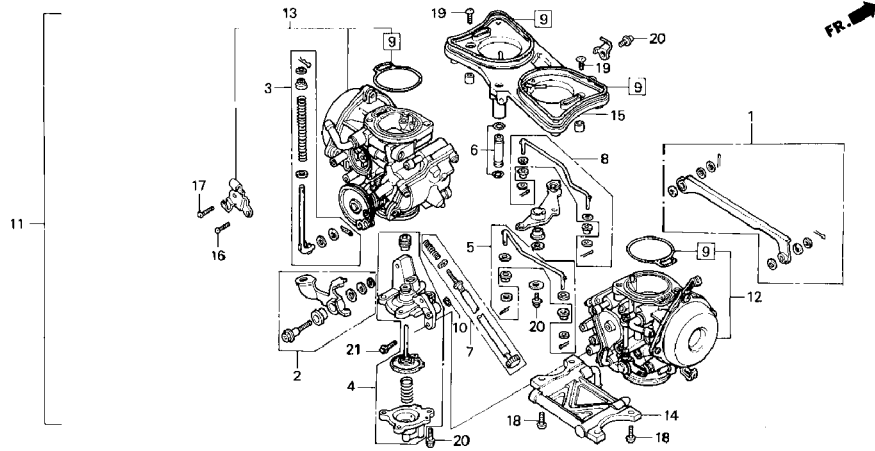


Ref. No.	Part No.	Description
1	16017-MT8-000	LEVER SET, LINK - ALL '94
1	16017-MAM-000	LEVER SET, LINK- ALL '95
2	16018-MN5-004	ARM SET, PUMP
3	16019-MY4-000	ROD SET, PUMP- ALL '94
3	16019-MAM-000	ROD SET, PUMP- ALL '95
4	16021-MW8-000	DIAPHRAGM SET
5	16025-MN5-004	ROD SET, STARTER- ALL '94
5	16025-MAM-000	ROD SET, STARTER- ALL '95
6	16026-MY4-000	JOINT SET, FUEL- ALL '94
6	16026-MAM-000	JOINT SET, FUEL
7	16028-MN5-004	SCREW SET B- ALL '94
7	16028-MAM-000	SCREW SET- ALL '95
8	16035-MN5-004	ROD SET B, STARTER- ALL '94
8	16035-MAM-000	ROD SET, STARTER- ALL '95
9	16040-MY4-000	GASKET B SET
10	16075-MY4-000	O-RING- ALL '94
10	16075-GHB-770	O-RING (1.9X2.8)- ALL '95
11	16100-MY4-010	CARBURETOR ASSY.- A/SE'94
11	16100-MY4-741	CARBURETOR ASSY.- A/SE'94
11	16100-MAM-670	CARBURETOR ASSY.- A/SE'95
11	16100-MAM-740	CARBURETOR ASSY.- A/SE'95
11	16100-MY4-870	CARBURETOR ASSY.- I'94
11	16100-MY4-880	CARBURETOR ASSY.- I'94
11	16100-MAM-870	CARBURETOR ASSY.- I'95
11	16100-MAM-880	CARBURETOR ASSY. I '95

Catalog Title:  
**GL1500A/SE/ '94 - '95**

Block No.  
**E 21**

Block Title:  
**CARBURETOR ASSEMBLY**



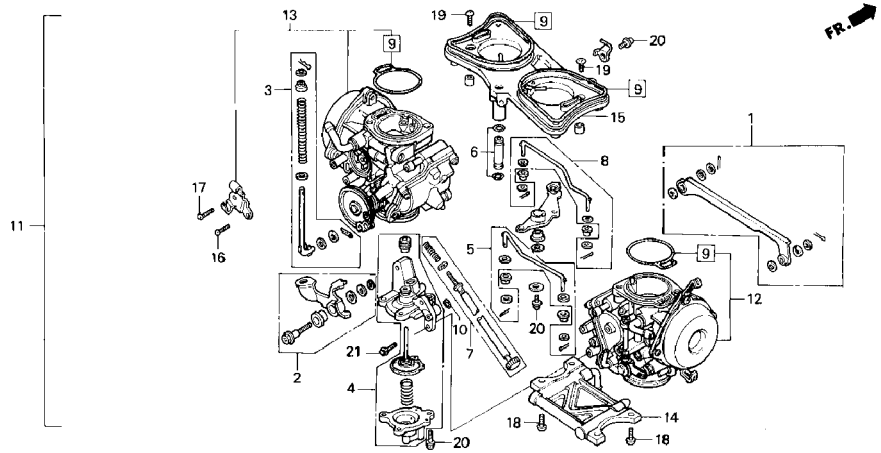
Ref. No.	Part No.	Description
12	16101-MY4-010	CARBURETOR ASSY., R. '94A/SE
12	16101-MY4-741	CARBURETOR ASSY., R. - '94A/SE
12	16101-MAM-670	CARBURETOR ASSY., R.- A/SE'95
12	16101-MAM-740	CARBURETOR ASSY., R.- A/SE'95
12	16101-MY4-870	CARBURETOR ASSY., R. - I'94
12	16101-MY4-880	CARBURETOR ASSY., R. - I'94
12	16101-MAM-870	CARBURETOR ASSY., R. - I'95
12	16101-MAM-880	CARBURETOR ASSY., R. - I'95
13	16102-MY4-010	CARBURETOR ASSY., L.- A/SE'94
13	16102-MY4-741	CARBURETOR ASSY., L.- A/SE'94
13	16102-MAM-670	CARBURETOR ASSY., L.- A/SE'95
13	16102-MAM-740	CARBURETOR ASSY., L.- A/SE'95
13	16102-MY4-870	CARBURETOR ASSY., L. - I'94
13	16102-MY4-880	CARBURETOR ASSY., L. - I'94
13	16102-MAM-870	CARBURETOR ASSY., L. - I'95
13	16102-MAM-880	CARBURETOR ASSY., L. - I'95
14	16119-MN5-004	PLATE COMP., STAY
15	16188-MT8-000	BASE, AIR CLEANER
16	93500-04012-0H	SCREW, PAN (4X12)
16	93500-04012-1H	SCREW, PAN (4X12)
17	93500-05012	SCREW, PAN (5X12)
17	93500-05012-0A	SCREW, PAN (5X12)
17	93500-05012-00	SCREW, PAN (5X12)
17	93500-05012-1A	SCREW, PAN (5X12)
18	93500-06014	SCREW, PAN (6X14)

Catalog Title:  
**GL1500A/SE/ '94 - '95**

Block No.  
**E 21**

Block Title:  
**CARBURETOR ASSEMBLY**

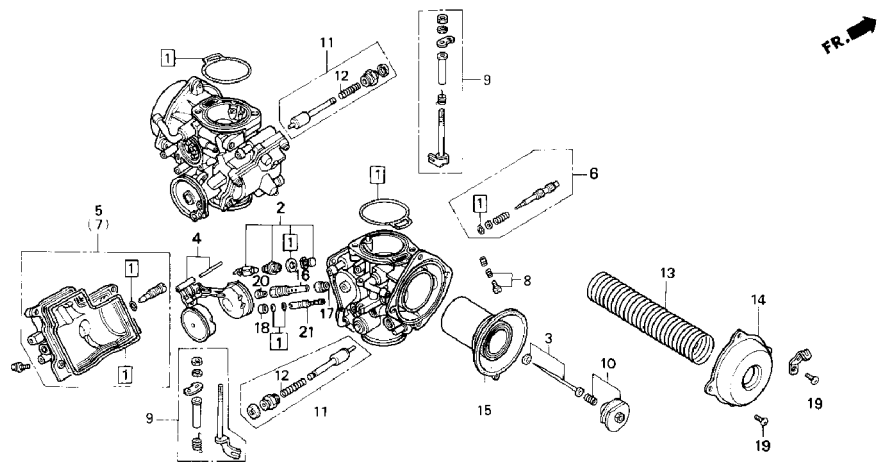
Ref. No.	Part No.	Description
18	93500-06014-0A	SCREW, PAN (6X14)
18	93500-06014-1A	SCREW, PAN (6X14)
19	93500-06016-0A	SCREW, PAN (6X16)
19	93500-06016-1A	SCREW, PAN (6X16)
20	93892-04012-00	SCREW-WASHER (4X12)
20	93892-04012-10	SCREW-WASHER (4X12)
21	93892-05014-10	SCREW-WASHER (5X14)



Catalog Title:  
**GL1500A/SE/ '94 - '95**

Block No.  
**E 2101**

Block Title:  
**CARBURETOR COMPONENTS**



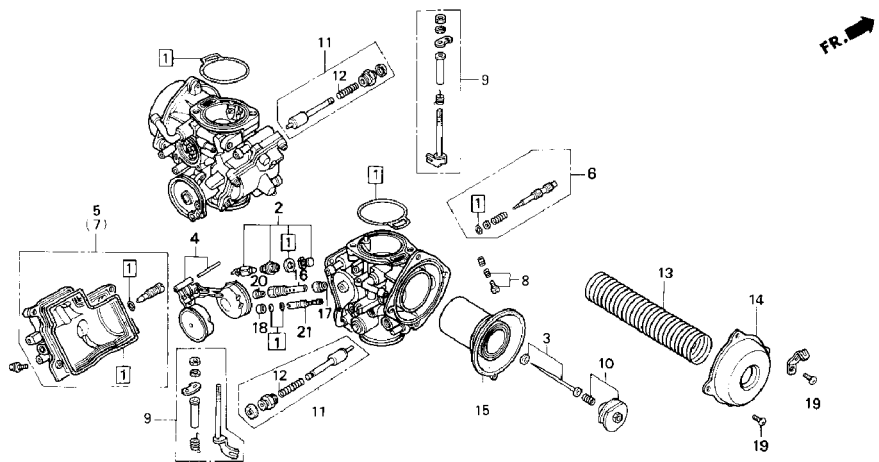
Ref. No.	Part No.	Description
1	16010-MAM-000	GASKET SET A
2	16011-ML7-921	VALVE SET, FLOAT- ALL '94
2	16011-MN5-004	VALVE SET, FLOAT- ALL '94
2	16011-MAM-000	VALVE SET, FLOAT- ALL '95
3	16012-MY4-601	NEEDLE SET, JET
4	16013-MT2-004	FLOAT SET- ALL '94
4	16013-MAM-000	FLOAT SETV- ALL '95
5	16015-MT8-010	CHAMBER SET A, FLOAT- ALL '94
5	16015-MAM-000	CHAMBER SET, FLOAT- ALL '95
6	16016-MS8-681	SCREW SET- ALL '94
6	16016-MAM-000	SCREW SET- ALL '95
7	16023-MT8-010	CHAMBER SET B, FLOAT- ALL '94
7	16023-MAM-000	CHAMBER SET, FLOAT- ALL '95
8	16029-MB0-671	SCREW SET C
9	16031-MN5-014	LEVER SET, STARTER
10	16037-MN5-004	PLATE SET
11	16046-MT8-000	VALVE SET, STARTER- ALL '94
11	16046-MAM-000	VALVE SET, STARTER- ALL '95
12	16050-MT2-004	SPRING
13	16051-MT8-000	SPRING
14	16107-MM8-004	TOP COMP.
15	16111-MY4-000	PISTON COMP., VACUUM
16	16165-MY4-000	HOLDER, NEEDLE JET
17	16168-MT8-000	HOLDER, JET

Catalog Title:  
**GL1500A/SE/ '94 - '95**

Block No.  
**E 2101**

Block Title:  
**CARBURETOR COMPONENTS**

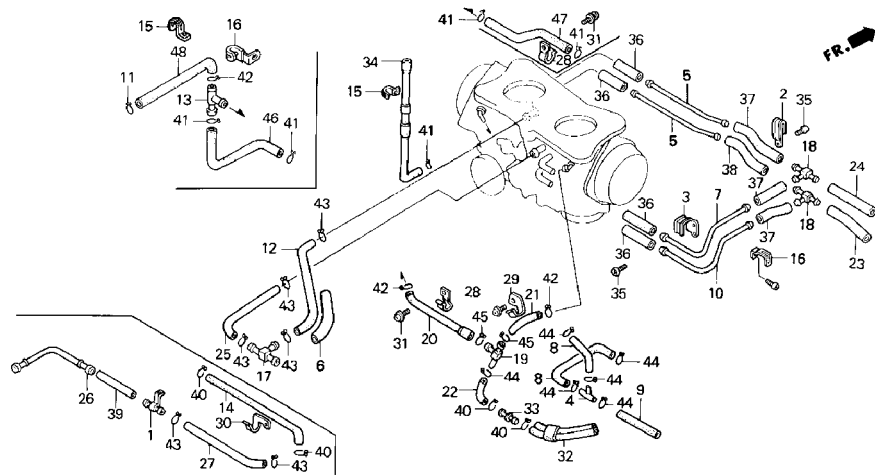
Ref. No.	Part No.	Description
18	16168-MY4-000	HOLDER COMP., JET
19	93500-04010-0A	SCREW, PAN (4X10)
19	93500-04010-1A	SCREW, PAN (4X10)
20	99101-GHB-1480	JET (#148)
20	99101-393-1480	JET, MAIN (#148)
21	99103-MT8-0650	JET, SLOW (#65)



Catalog Title:  
**GL1500A/SE/ '94 - '95**

Block No.  
**E 22**

Block Title:  
**TUBING 1**

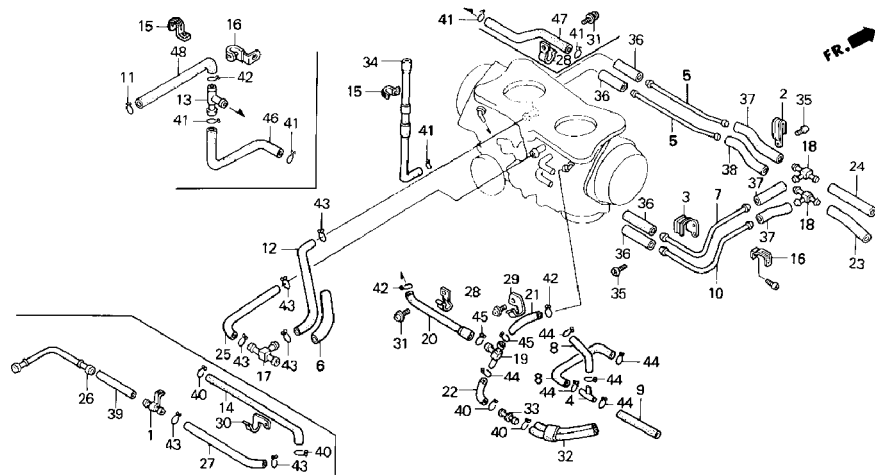


Ref. No.	Part No.	Description
1	16119-MT2-000	PLATE COMP., STAY
2	16134-MT8-000	BINDER
3	16135-MT8-000	BINDER
4	16180-195-731	JOINT
5	16197-MT8-000	TUBE
6	16198-MN5-000	TUBE
7	16198-MT8-000	TUBE
8	16199-GG2-701	TUBE, DRAIN
9	16199-MN5-000	TUBE
10	16199-MT8-000	TUBE
11	17132-MT2-740	CLIP C9, TUBE
11	16163-GHB-600	CLIP, TUBE
12	17180-MN5-000	TUBE, FUEL
13	17182-MW5-740	T-JOINT
14	17186-MT2-741	TUBE
15	17191-MN5-740	CLIP, PLATE
16	17191-MT2-740	CLIP, PLATE
16	17191-MT2-740	CLIP, PLATE
17	17193-MT2-000	T-JOINT
18	17194-MN5-000	T-JOINT
19	17194-MT2-000	T-JOINT
19	17195-MN5-000	T-JOINT
20	17282-MT2-000	TUBE
21	17283-MT2-000	TUBE
22	17285-MT2-010	TUBE

Catalog Title:  
**GL1500A/SE/ '94 - '95**

Block No.  
**E 22**

Block Title:  
**TUBING 1**



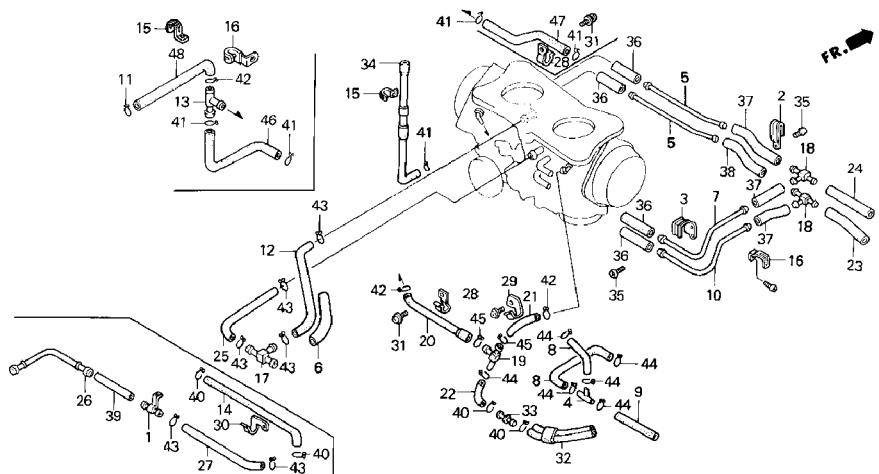
Ref. No.	Part No.	Description
23	17288-MN5-010	TUBE, AIR PRIMARY
24	17289-MN5-000	TUBE, AIR PRIMARY
25	17290-MN5-000	TUBE, FUEL
26	17306-MT2-740	PIPE, AIR VENT
27	17311-MT2-740	TUBE
28	17312-MT2-000	BINDER
29	17313-MT2-000	BINDER
30	17314-MT2-741	BINDER
31	17315-MT2-000	SCREW-WASHER- ALL '94
31	93892-04006-10	SCREW-WASHER (4X6)- ALL '95
32	17316-MT2-010	TUBE COMP., DRAIN
33	17414-PC6-660	JOINT, TWO-WAY (3.5)
34	17458-MY4-000	TUBE
35	93892-05010-10	SCREW-WASHER (5X10)
36	95001-45008-40M	BULK HOSE (4.5X8000)
37	95001-45008-40M	BULK HOSE (4.5X8000)
38	95001-45008-40M	BULK HOSE (4.5X8000)
39	95001-75003-50M	BULK HOSE (7.5X3000)
40	95002-02070	CLIP, TUBE (B7)
41	95002-02080	CLIP, TUBE (B8)

Catalog Title:  
**GL1500A/SE/ '94 - '95**

Block No.  
**E 22**

Block Title:  
**TUBING 1**

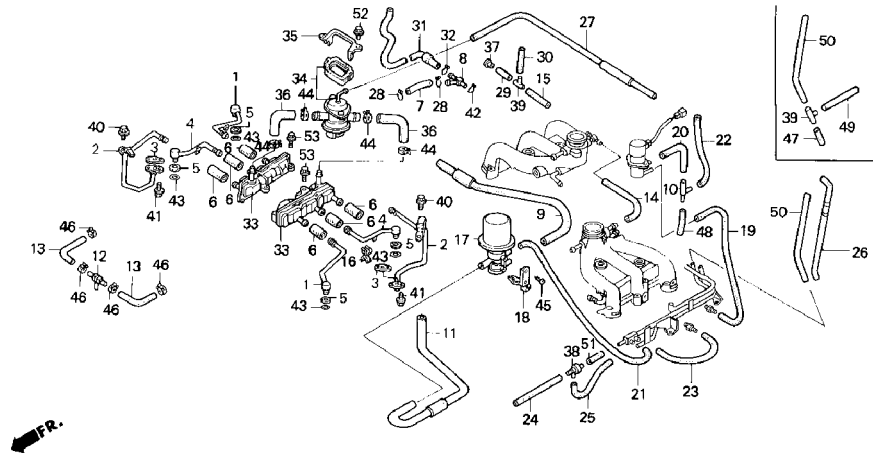
Ref. No.	Part No.	Description
42	95002-02100	CLIP, TUBE (B10)
43	95002-02120	CLIP, TUBE (B12)
44	95002-02650	CLIP, TUBE (B6.5)
45	95002-70000	CLIP, TUBE (C11)
47	95005-45001-20M	BULK HOSE (4.5X1000)
48	95005-55008-10M	BULK HOSE (5.5X8000)



Catalog Title:  
**GL1500A/SE/ '94 - '95**

Block No.  
**E 2201**

Block Title:  
**TUBING 2**

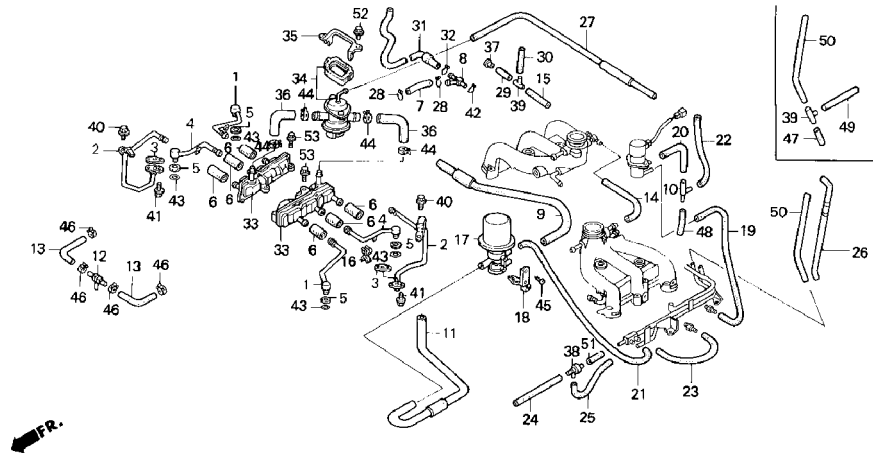


Ref. No.	Part No.	Description
1	17130-MN5-020	PIPE, AIR FEED
2	17140-MN5-000	PIPE B, AIR FEED
3	17142-MN5-000	GASKET
4	17150-MN5-020	PIPE, AIR FEED
5	17155-MT2-000	RUBBER
6	17161-MN5-010	HOSE, AIR FEED
7	17162-MN5-000	TUBE A, AIR IN.
8	17163-MN5-000	JOINT B, THREE-WAY
9	17164-MN5-000	TUBE B, AIR IN.
10	17165-MY4-000	JOINT
11	17170-MY4-000	TUBE, AIR IN.
12	17171-MW5-003	VALVE, CHECK
13	17172-MN5-000	TUBE G, AIR IN.
14	17173-MN5-000	TUBE, PRESSURE BOOST
15	17175-MT2-000	TUBE, PRESSURE BOOST
16	17176-MN5-000	CLAMP J, HOSE
17	17340-MT2-003	VALVE, SHOT AIR
18	17342-MT2-000	STAY, SHOT AIR VALVE
19	17350-MT8-000	TUBE, PRESSURE BOOST
20	17351-MT8-000	TUBE, PRESSURE BOOST
21	17352-MT8-000	TUBE, PRESSURE BOOST
22	17353-MT8-000	TUBE, PRESSURE BOOST
23	17354-MT8-000	TUBE, PRESSURE BOOST
24	17355-MT8-000	TUBE, PRESSURE BOOST - '94A/SE, '95A/SE
25	17356-MT8-000	TUBE, PRESSURE BOOST - '94A/SE, '95A/SE

Catalog Title:  
**GL1500A/SE/ '94 - '95**

Block No.  
**E 2201**

Block Title:  
**TUBING 2**



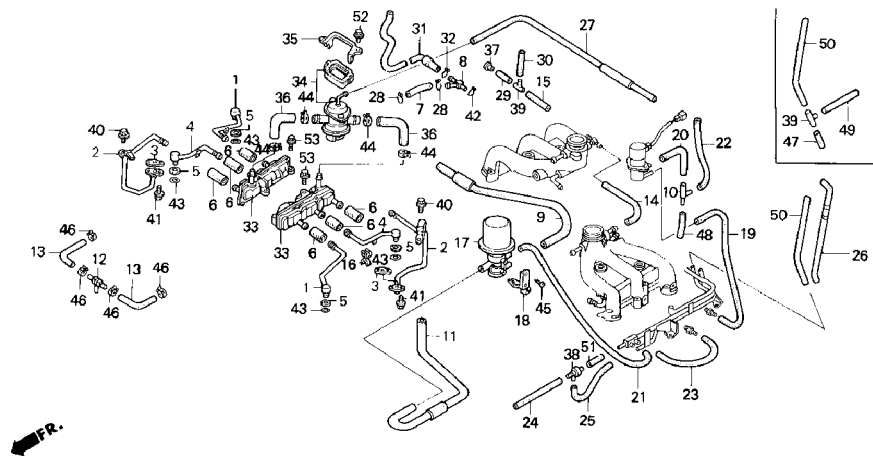
Ref. No.	Part No.	Description
26	17357-MY4-000	TUBE, PRESSURE BOOST - '94A/SE, '95A/SE
27	17358-MT8-000	TUBE, PRESSURE BOOST
28	17369-KB4-670	CLIP, BREATHER TUBE
29	17461-MT2-000	TUBE, PRESSURE BOOST
30	17462-MT8-000	TUBE (4.5X260)
31	17472-MT2-000	TUBE (14MM)
32	17724-102-700	CLIP, SUB-TANK HOSE
33	18610-MW5-000	CASE, REED VALVE
34	18650-MN5-024	VALVE ASSY.
35	18652-MN5-000	STAY
36	18654-MN5-000	HOSE, AIR IN.
37	36034-PD1-000	PLUG, SEALING
38	36627-MN5-000	VALVE, CHECK - '94A/SE, '95A/SE
38	36627-MN5-003	VALVE, CHECK - '94A/SE, '95A/SE
39	36010-PA6-004	JOINT, THREE-WAY
39	38773-PB9-000	JOINT (3.5)
40	90016-MN5-000	BOLT, FLANGE (6X14)
41	90040-MN5-000	BOLT, SOCKET (6X18)
42	90654-MK3-780	CLIP, TUBE (B14)
43	91305-422-000	O-RING (9.8X2.4)
43	91352-425-003	O-RING (9.8X2.4)
44	91405-PE0-003	CLAMP, TUBE (D20)
45	93904-25180	SCREW, TAP (5X10)

Catalog Title:  
**GL1500A/SE/ '94 - '95**

Block No.  
**E 2201**

Block Title:  
**TUBING 2**

Ref. No.	Part No.	Description
46	95002-41200-08	CLIP, TUBE (D12)
47	95005-35008-10M	BULK HOSE (3.5X8000)
48	95005-35008-10M	BULK HOSE (3.5X8000)
49	95005-35008-10M	BULK HOSE (3.5X8000)
50	95005-35008-10M	BULK HOSE (3.5X8000)
51	95005-45001-20M	BULK HOSE (4.5X1000)
52	95701-06014-08	BOLT, FLANGE (6X14)
53	95701-06025-08	BOLT, FLANGE (6X25)



Block No.  
**EOP01**

Block Title:  
**GASKET KIT A - GL1500 '94**

Ref. No.	Part No.	Description
-	06111-MAF-000	GASKET KIT A
-	06111-MAF-010	GASKET KIT A
1	11561-MN5-650	GASKET
2	12209-422-005	SEAL, VALVE STEM
3	12251-MN5-004	GASKET, CYL HD
4	12314-MAF-000	GASKET, HEAD COVER
5	12318-MN5-000	GASKET, RR.
6	17142-MN5-000	GASKET
7	17231-MN5-004	GASKET, IN. MANIFOLD
8	18291-MN5-650	GASKET, EX. PIPE
9	90542-MB0-000	RUBBER, SETTING
10	91209-463-013	CAP, SEAL (43X9)
11	91301-147-023	O-RING (18.3X2.3)
12	91319-MN5-003	O-RING (82X3)
12	91351-HC4-003	O-RING (82X3)
13	91351-KE1-000	O-RING (21.8X2.4)
14	91305-422-000	O-RING (9.8X2.4)
14	91352-425-003	O-RING (9.8X2.4)

Block No.  
EOP02Block Title:  
**GASKET KIT B - GL1500 '94**

Ref. No.	Part No.	Description
-	06112-MAF-000	GASKET KIT B
1	11351-MN5-651	GASKET, CLUTCH COVER
2	11391-MN5-650	GASKET, TRANS CVR
3	15247-MN5-000	GROMMET
4	19226-MN5-000	GASKET
5	19305-MN5-000	RUBBER, THERMOSTAT
6	21112-MN5-650	GASKET, RR. CASE
7	51996-SA5-800	O-RING
8	90463-ML7-000	WASHER (6.5MM)
9	90545-300-000	WASHER, OIL BOLT
10	91301-147-023	O-RING (18.3X2.3)
11	91302-MB0-013	O-RING (32.95X2.62)
12	91303-377-000	O-RING (13.8X2.5)
13	91304-MN5-003	O-RING (63X3)
13	91316-PT6-003	O-RING (62.4X3.1)
14	91301-MC7-003	O-RING (15.8X2.5)
14	91305-MN5-003	O-RING (15.9X2.4)
15	91307-425-003	O-RING (21.5X3.2)
16	91309-MN5-008	O-RING (59.6X2.4)
17	91301-MJ0-003	O-RING (7.8X1.9)
17	91313-MN5-004	O-RING (7.8X1.9)
18	91315-MN5-004	O-RING (5.4X3.2)
19	91316-MJ8-003	O-RING (8.4X2.4)
20	91320-MN5-003	O-RING (84.5X4)
21	91355-MG9-006	O-RING

Block No.  
**EOP02**

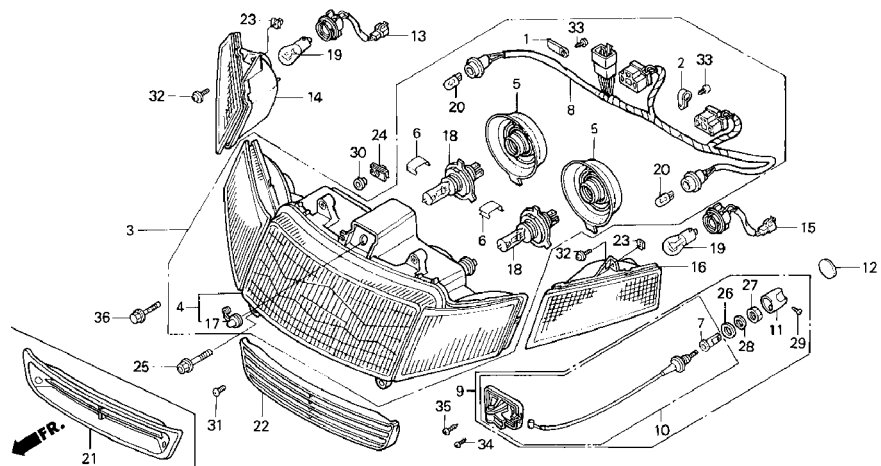
Block Title:  
**GASKET KIT B - GL1500 '94**

<u>Ref. No.</u>	<u>Part No.</u>	<u>Description</u>
22	94109-14000	WASHER (14MM)

Catalog Title:  
**GL1500A/SE/ '94 - '95**

Block No.  
**F 01**

Block Title:  
**HEADLIGHT**

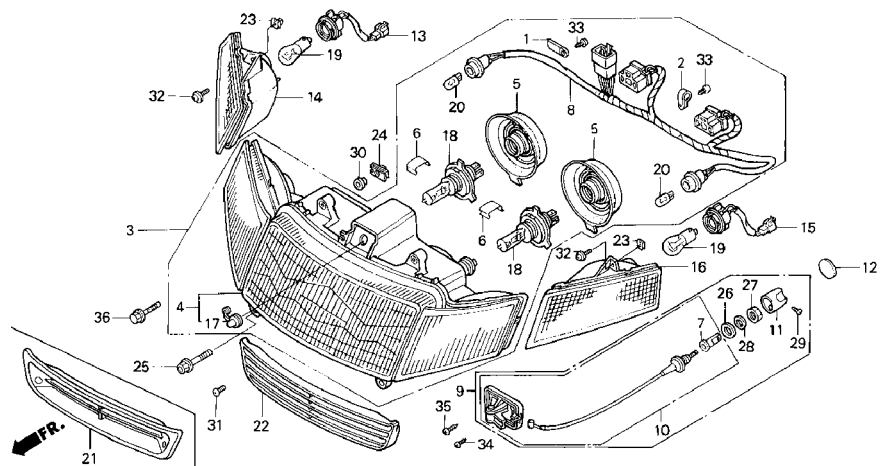


Ref. No.	Part No.	Description
1	32910-MN5-003	CLAMP, CONNECTOR
2	32920-MN5-003	CLAMP, WIRE
3	33101-MN5-053	HDLT (12V 60/55W)
4	33103-MN5-023	HEADLIGHT UNIT
5	33112-ML7-003	COVER, RUBBER
6	33113-ML7-601	CLIP, LENS HOLDER
7	33117-MN5-003	NUT, BEAM ADJ.
8	33130-MN5-013	WIRE, HEADLIGHT
9	33140-MT8-770	ADJUSTER, HEADLIGHT
10	33150-MN5-003	ADJUSTER, HEADLIGHT
11	33156-MT8-770	KNOB, BEAM ADJUSTING
12	33157-MT8-770	MARK - SE'94'95
13	33405-MN5-003	SOCKET COMP., R. FR.
14	33410-MN5-013	TURN SIGNAL, R. FR.
14	33410-MN5-023	TURN SIGNAL SUB, R.
15	33455-MN5-003	SOCKET COMP., L. FR.
16	33460-MN5-013	TURN SIGNAL SUB, L.
16	33460-MN5-023	TURN SIGNAL SUB, L.
17	33753-MN5-003	BUSHING, RUBBER
18	34901-MN5-003	BULB (12V 45/45W)
19	34906-313-671	BULB (12V23/8W)
20	34908-GA7-701	BULB (12V 3.4W)
20	37102-567-009	BULB (12V3.4W) (158)
20	37237-SA5-003	BULB (14V3.4W)
20	37237-SA5-004	BULB (12V3.4W) (158)

Catalog Title:  
**GL1500A/SE/ '94 - '95**

Block No.  
**F 01**

Block Title:  
**HEADLIGHT**

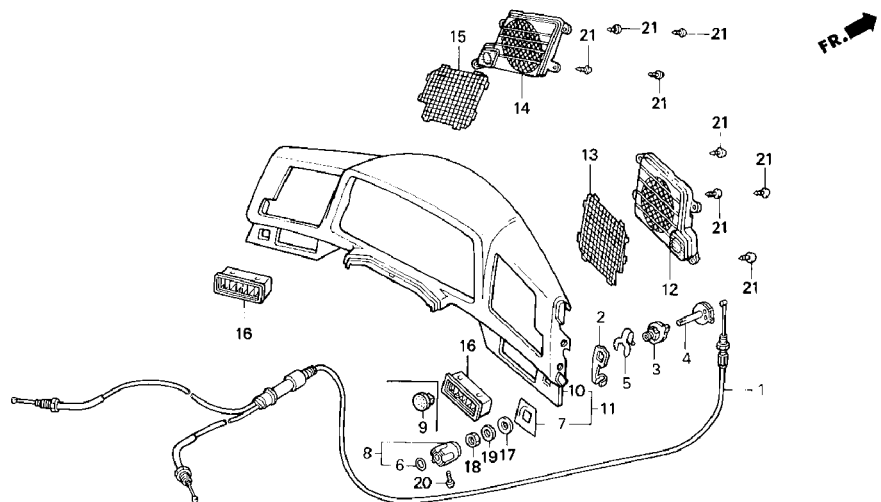


Ref. No.	Part No.	Description
21	64270-MAM-000	GRILLE, FR. - ALL '95
22	64270-MT2-000	GRILLE, FR. - A/I '94
22	64270-MW5-770	GRILLE, FR. - SE'94
23	64521-MN5-000	NUT, CLIP (4MM)
24	64529-MN5-000	NUT, CLIP (6MM)
25	90112-MN5-000	BOLT, SPECIAL (6X28)
26	90150-MN5-003	WASHER, SPECIAL
27	90153-MN5-003	NUT, SPECIAL (16MM)
28	90154-MN5-003	WASHER, SPECIAL
29	90417-MN5-003	SCREW, TAPPING (4MM)
30	90512-440-980	WASHER (6MM)
31	93500-04008-0G	SCREW, PAN (4X8)
32	93891-04012-07	SCREW-WASHER (4X12)
33	93901-34320	SCREW, TAP (4X12)
34	93903-24380	SCREW, TAP (4X12)
35	93903-26180	SCREW, TAP (6X12)
36	95701-06028-08	BOLT, FLANGE (6X28)

Catalog Title:  
**GL1500A/SE/ '94 - '95**

Block No.  
**F 02**

Block Title:  
**METER PANEL**



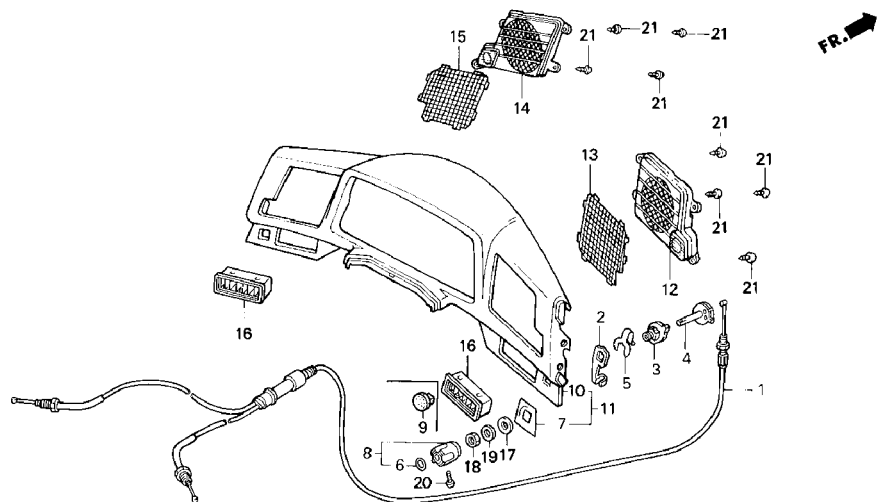
Ref. No.	Part No.	Description
1	18337-MZ3-770	CABLE COMP. - SE '94 '95
2	18342-MT8-770	STAY, CABLE - SE '94 '95
3	18343-MT8-770	HOLDER, DRUM - SE '94 '95
4	18344-MT8-770	DRUM, CABLE - SE '94 '95
5	18345-MT8-770	SPRING, DRUM - SE '94 '95
6	18346-MT8-770	MARK (LOWER) - SE '94 '95
7	18347-MT8-770	MARK (LOWER) - SE '94 '95
8	18350-MT8-770	KNOB, VENT ADJUSTING - SE '94 '95
9	64236-MG9-770	GROMMET - A/I '94 '95
10	64240-MN5-000ZA	PNL, METER *NH159L* - A/I '94 '95
10	64240-MT8-000ZC	PNL *NH159L* (TYPE1) - A/I '94 '95
10	64240-MT8-000ZG	PANEL *R200* (TYPE7) - A/I '94 '95
11	64241-MT8-770ZB	PANEL COMP. *NH159L* - SE '94 '95
11	64241-MT8-770ZF	PANEL *R200* (TYPE7) - SE '94 '95
12	64242-MN5-000ZA	CVR *NH159L* (TYPE1)
12	64242-MN5-000ZH	COVER *R200* (TYPE7)
13	64243-MN5-000ZA	GRL *NH159L* (TYPE1)
13	64243-MN5-000ZH	GRL *R200* (TYPE7)
14	64247-MN5-000ZA	CVR *NH159L* (TYPE1)
14	64247-MN5-000ZH	COVER *R200* (TYPE7)
15	64248-MN5-000ZA	GRL *NH159L* (TYPE1)
15	64248-MN5-000ZH	GRL *R200* (TYPE7)
16	64480-MN5-000ZA	OUTLET *NH159L*
16	64480-MN5-000ZH	OUTLET *R200*
17	90150-MN5-003	WASHER, SPECIAL - SE '94 '95

Catalog Title:  
**GL1500A/SE/I '94 - '95**

Block No.  
**F 02**

Block Title:  
**METER PANEL**

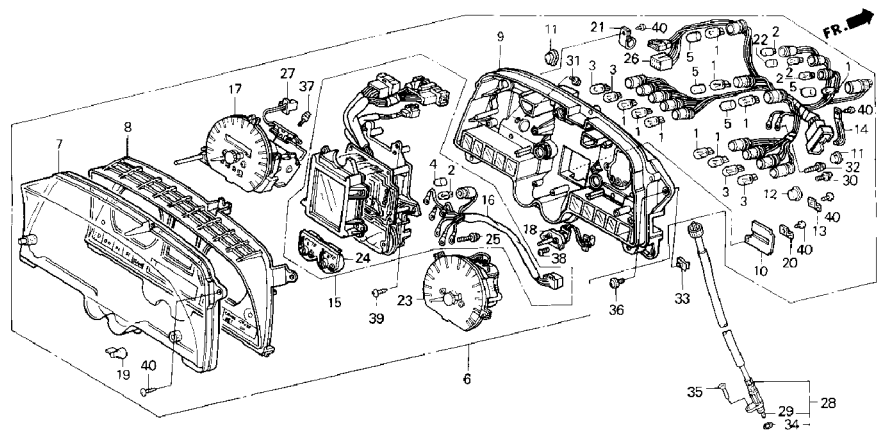
Ref. No.	Part No.	Description
18	90153-MN5-003	NUT, SPECIAL (16MM) - SE '94 '95
19	90154-MN5-003	WASHER, SPECIAL - SE '94 '95
20	90417-MN5-003	SCREW, TAPPING (4MM) - SE '94 '95
21	93903-24320	SCREW, TAP (4X12)



Catalog Title:  
**GL1500A/SE/ '94 - '95**

Block No.  
**F 03**

Block Title:  
**SPEEDOMETER TACHOMETER - GL1500A, SE**

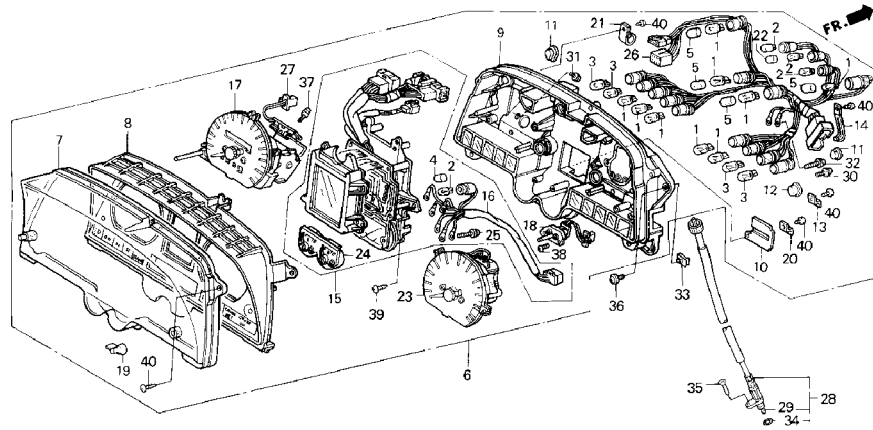


Ref. No.	Part No.	Description
1	34908-GA7-701	BULB (12V 3.4W)
1	37102-567-009	BULB (12V3.4W) (158)
1	37237-SA5-003	BULB (14V3.4W)
1	37237-SA5-004	BULB (12V3.4W) (158)
2	34908-KM1-671	BULB (12V/3W)
3	34908-MB9-871	BULB (12V 1.7W)
4	34909-MN5-008	CAP, BULB (T7 BLUE)
5	34910-MN5-008	CAP, BULB (T10 BLUE)
6	37100-MT8-771	METER, COMBINATION
7	37102-MN5-008	GLASS COMP., METER
8	37103-MN5-008	PLATE, REFLECTING
9	37104-MT8-008	CASE COMP., METER
10	37105-MN5-008	COVER, CASE
11	37113-ML7-008	CAP
12	37116-KG4-008	CAP A
13	37121-ML7-671	CLAMP
14	37121-MN5-008	CLAMP
15	37130-MT8-771	L.C.D. ASSY.
16	37132-MN5-008	SOCKET COMP., L.C.D.
17	37205-MN5-008	SPEEDOMETER COMP.
18	37213-MT2-008	SWITCH ASSY.
19	37214-MN5-008	KNOB
20	37215-KM1-670	CLAMP
21	37215-KV0-008	CLAMP, WIRE
22	37225-KW3-008	CAP, BULB

Catalog Title:  
**GL1500A/SE/ '94 - '95**

Block No.  
**F 03**

Block Title:  
**SPEEDOMETER TACHOMETER - GL1500A, SE**

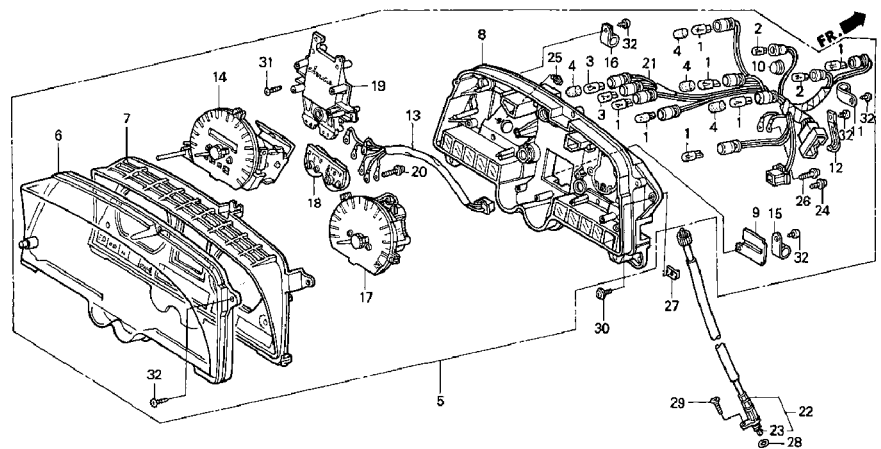


Ref. No.	Part No.	Description
23	37250-MT8-008	TACHOMETER ASSY.
24	37300-MT8-008	METER ASSY.
25	37305-KE5-008	SCREW-WASHER (3X22)
26	37619-MT8-008	SOCKET COMP.
27	37700-MN5-008	SENSOR, SPEEDOMETER
28	44830-MN5-000	CABLE, SPEEDOMETER
29	44831-MN5-000	CABLE (INNER)
30	90032-ML7-671	SCREW, TAP (4X36)
31	90101-GE1-670	SCREW, FLANGE (4X12)
32	90102-MT8-008	SCREW-WASHER (3X12)
33	90305-MN5-000	NUT, PLATE (5MM)
34	91301-027-000	O-RING (6.8X1.9)
34	91306-PJ4-000	O-RING (6.8X1.9)
34	91310-MC7-003	O-RING B (6.8X1.9)
35	93700-05020-0G	SCREW, OVAL (5X20)
36	93891-05016-07	SCREW-WASHER (5X16)
37	93893-03012-18	SCREW-WASHER (3X12)
38	93901-22220	SCREW, TAP (3X10)
39	93901-24410	SCREW, TAP (4X16)
40	93903-24420	SCREW, TAP (4X16)

Catalog Title:  
**GL1500A/SE/ '94 - '95**

Block No.  
**F 0301**

Block Title:  
**SPEEDOMETER TACHOMETER - GL1500I**



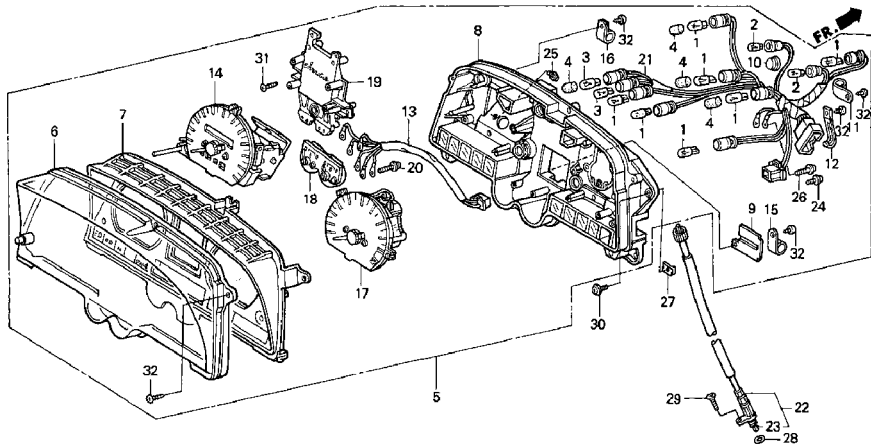
Ref. No.	Part No.	Description
1	34908-GA7-701	BULB (12V 3.4W)
1	37102-567-009	BULB (12V3.4W) (158)
1	37237-SA5-003	BULB (14V3.4W)
1	37237-SA5-004	BULB (12V3.4W) (158)
2	34908-KM1-671	BULB (12V/3W)
3	34908-MB9-871	BULB (12V 1.7W)
4	34910-MN5-008	CAP, BULB (T10 BLUE)
5	37100-MW5-871	METER, COMBINATION
6	37102-MW5-871	GLASS COMP., METER
7	37103-MW5-871	PLATE, REFLECTING
8	37104-MW5-871	CASE COMP., METER
9	37105-MW5-871	COVER
10	37113-KV0-670	CAP
11	37121-ML7-671	CLAMP
12	37121-MN5-008	CLAMP
13	37132-MW5-871	WIRE COMP.
14	37200-MW5-871	SPEEDOMETER ASSY.
15	37215-KM1-670	CLAMP
16	37215-KV0-008	CLAMP, WIRE
17	37250-MT8-008	TACHOMETER ASSY.
18	37300-MT8-008	METER ASSY.
19	37302-MW5-871	CASE (INNER)
20	37305-KE5-008	SCREW-WASHER (3X22)
21	37619-MW5-871	SOCKET COMP., METER
22	44830-MN5-000	CABLE, SPEEDOMETER

Catalog Title:  
**GL1500A/SE/ '94 - '95**

Block No.  
**F 0301**

Block Title:  
**SPEEDOMETER TACHOMETER - GL1500I**

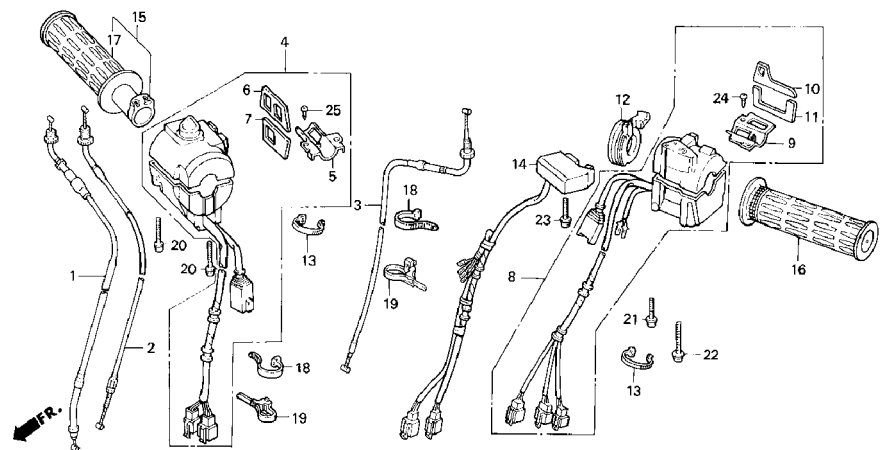
Ref. No.	Part No.	Description
23	44831-MN5-000	CABLE (INNER)
24	90032-ML7-671	SCREW, TAP (4X36)
25	90101-GE1-670	SCREW, FLANGE (4X12)
26	90102-MT8-008	SCREW-WASHER (3X12)
27	90305-MN5-000	NUT, PLATE (5MM)
28	91301-027-000	O-RING (6.8X1.9)
28	91306-PJ4-000	O-RING (6.8X1.9)
28	91310-MC7-003	O-RING B (6.8X1.9)
29	93700-05020-0G	SCREW, OVAL (5X20)
30	93891-05016-07	SCREW-WASHER (5X16)
31	93901-24410	SCREW, TAP (4X16)
32	93903-24420	SCREW, TAP (4X16)



Catalog Title:  
**GL1500A/SE/ '94 - '95**

Block No.  
**F 04**

Block Title:  
**HANDLE SWITCH - GL1500A**



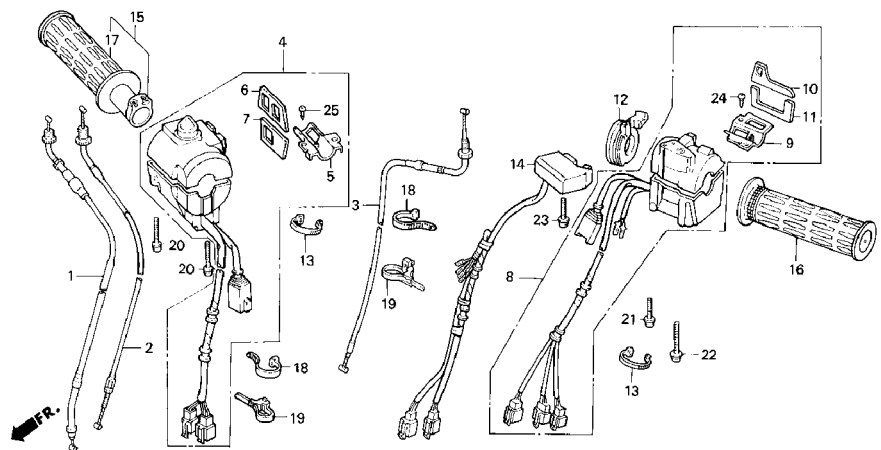
Ref. No.	Part No.	Description
1	17910-MT8-004	CABLE A, THROTTLE
2	17920-MT8-004	CABLE COMP.
3	17950-MN5-004	CABLE COMP., CHOKE
4	35130-MT2-003	SWITCH ASSY.
5	35132-MN5-010	PLATE
6	35133-MN5-000	PLATE A, ORNAMENT
7	35134-MN5-000	PLATE, ORNAMENT
8	35200-MW5-013	SWITCH, TURN SIGNAL
9	35202-MN5-010	PLATE
10	35203-MN5-000	PLATE A, ORNAMENT
11	35204-MN5-000	PLATE B, ORNAMENT
12	35209-MN5-000	LEVER, CHOKE
13	35701-MG9-950	BAND
14	39210-MN5-020	SWITCH ASSY., AUDIO
15	53145-MG9-680	GRIP COMP., R.
16	53167-MG9-315	GRIP, L. HANDLEBAR
17	53168-MG9-315	GRIP, R. HANDLEBAR
18	90651-MA6-720	BAND, WIRE HARNESS
19	90690-GHB-611	CLIP (25MM)
19	90690-GHB-661	CLIP, CABLE (20MM)
20	93892-05025-07	SCREW-WASHER (5X25)
20	93892-05026-07	SCREW-WASHER (5X26)
21	93892-05028-07	SCREW-WASHER (5X28)
22	93892-05045-07	SCREW-WASHER (5X45)
23	93893-05032-08	SCREW-WASHER (5X32)

Catalog Title:  
**GL1500A/SE/ '94 - '95**

Block No.  
**F 04**

Block Title:  
**HANDLE SWITCH - GL1500A**

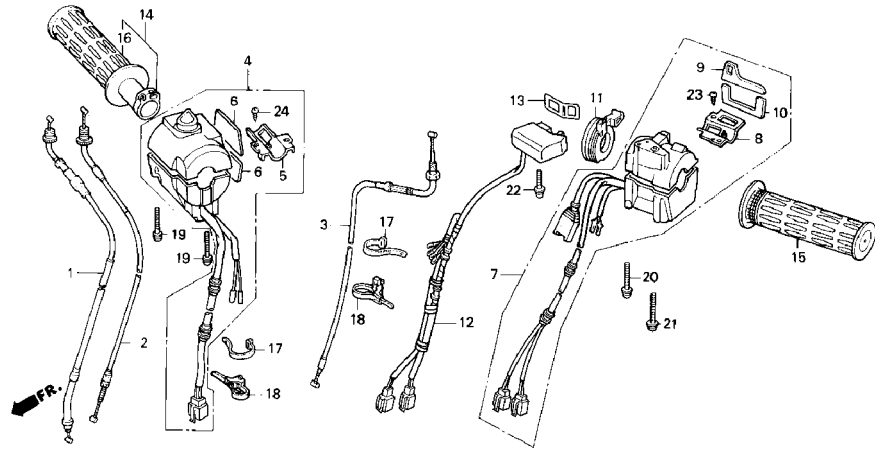
Ref. No.	Part No.	Description
24	93901-32120	SCREW, TAPPING (3X8)
25	93901-32220	SCREW, TAP (3X10)



Catalog Title:  
**GL1500A/SE/ '94 - '95**

Block No.  
**F 0402**

Block Title:  
**HANDLE SWITCH - GL1500I**



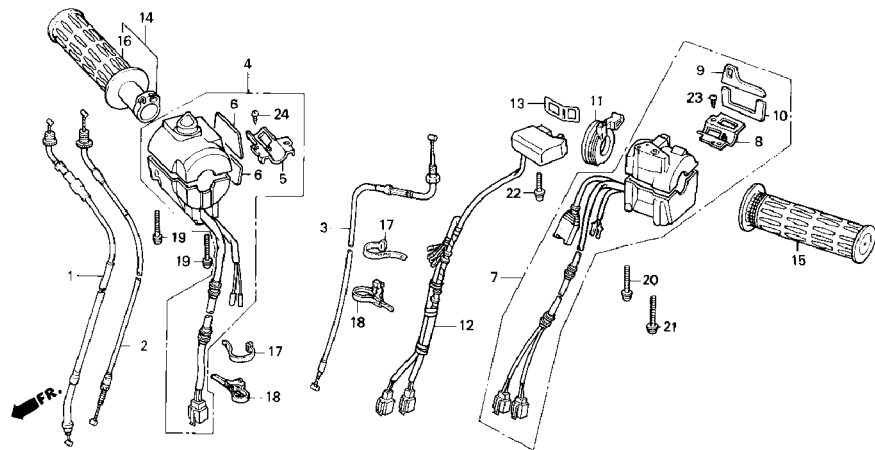
Ref. No.	Part No.	Description
1	17910-MT2-000	CABLE A, THROTTLE
2	17920-MW5-870	CABLE B, THROTTLE
3	17950-MN5-004	CABLE COMP., CHOKE
4	35130-MW5-871	SWITCH ASSY.
5	35132-MN5-010	PLATE
6	35133-MW5-871	PLATE, ORNAMENT
7	35200-MW5-872	SWITCH, TURN SIGNAL
8	35202-MN5-010	PLATE
9	35203-MN5-000	PLATE A, ORNAMENT
10	35204-MN5-000	PLATE B, ORNAMENT
11	35209-MN5-000	LEVER, CHOKE
12	39210-MY4-871	SWITCH ASSY., AUDIO
13	39212-MY4-871	PLATE, ORNAMENT
14	53145-MG9-680	GRIP COMP., R.
15	53167-MG9-315	GRIP, L. HANDLEBAR
16	53168-MG9-315	GRIP, R. HANDLEBAR
17	90651-MA6-720	BAND, WIRE HARNESS
18	90690-GHB-611	CLIP (25MM)
18	90690-GHB-661	CLIP, CABLE (20MM)
19	93892-05025-07	SCREW-WASHER (5X25)
19	93892-05026-07	SCREW-WASHER (5X26)
20	93892-05028-07	SCREW-WASHER (5X28)
21	93892-05045-07	SCREW-WASHER (5X45)
22	93893-05032-08	SCREW-WASHER (5X32)
23	93901-32120	SCREW, TAPPING (3X8)

Catalog Title:  
**GL1500A/SE/ '94 - '95**

Block No.  
**F 0402**

Block Title:  
**HANDLE SWITCH - GL1500I**

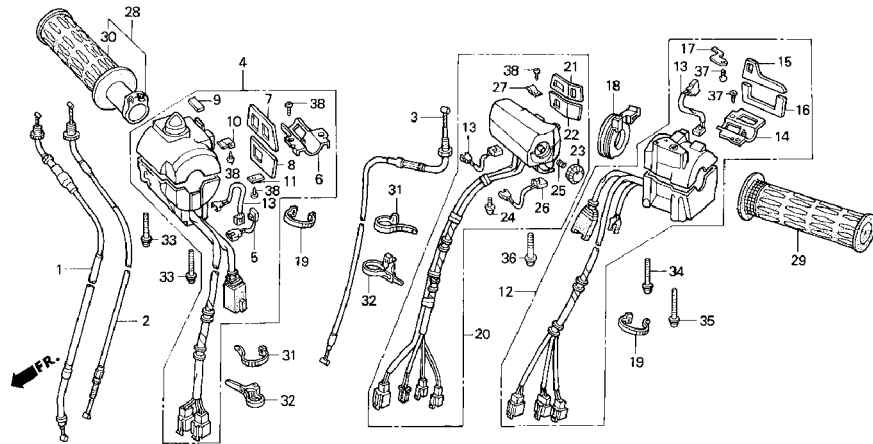
Ref. No.	Part No.	Description
24	93901-32220	SCREW, TAP (3X10)



Catalog Title:  
**GL1500A/SE/ '94 - '95**

Block No.  
**F 0401**

Block Title:  
**HANDLE SWITCH - GL1500SE**

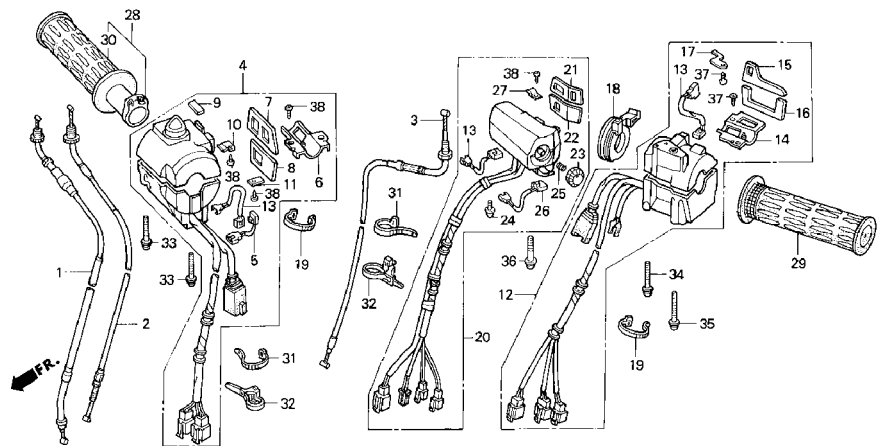


Ref. No.	Part No.	Description
1	17910-MT8-004	CABLE A, THROTTLE
2	17920-MT8-004	CABLE COMP.
3	17950-MN5-004	CABLE COMP., CHOKE
4	35130-MT8-771	SWITCH ASSY.
5	35131-MT8-771	BULB COMP. A (T3)
6	35132-MN5-010	PLATE
7	35133-MT8-771	PLATE, ORNAMENT
8	35134-MT8-771	PLATE, ORNAMENT
9	35135-MT8-771	PLATE, ORNAMENT
10	35136-MT8-771	CLAMP A
11	35137-MT8-771	CLAMP B
12	35200-MT8-772	SWITCH, TURN SIGNAL
13	35201-MT8-771	BULB COMP. (T3)
14	35202-MN5-010	PLATE
15	35203-MT8-771	PLATE, ORNAMENT
16	35204-MN5-000	PLATE B, ORNAMENT
17	35206-MT8-771	CLAMP, WIRE
18	35209-MN5-000	LEVER, CHOKE
19	35701-MG9-950	BAND
20	39200-MZ3-771	SWITCH, AUDIO & CB
21	39201-MZ3-771	PLATE, ORNAMENT
22	39202-MZ3-771	PLATE, ORNAMENT
23	39203-MZ3-771	KNOB, FADER
24	39204-MZ3-771	SCREW-WASHER (3X8)
25	39205-MZ3-771	SPRING, PLATE KNOB

Catalog Title:  
**GL1500A/SE/ '94 - '95**

Block No.  
**F 0401**

Block Title:  
**HANDLE SWITCH - GL1500SE**



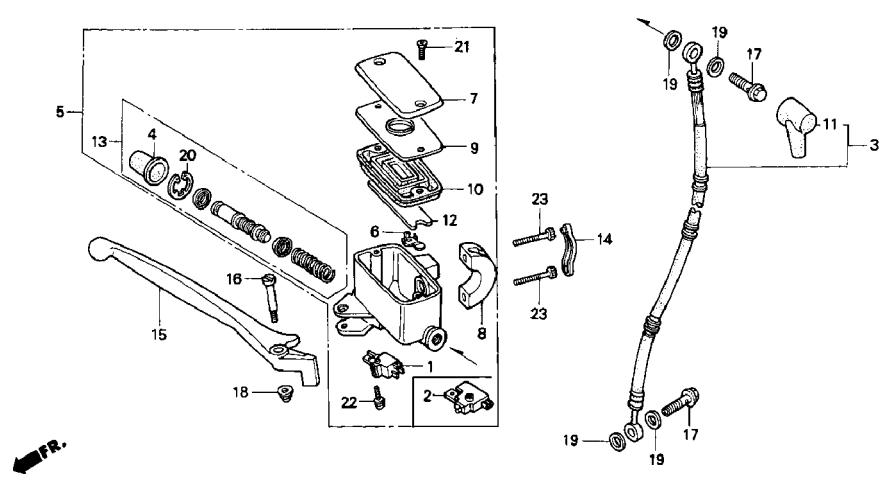
Ref. No.	Part No.	Description
26	39206-MZ3-771	BULB COMP. (T3)
27	39214-MZ3-771	CLAMP, CORD
28	53145-MG9-680	GRIP COMP., R.
29	53167-MG9-315	GRIP, L. HANDLEBAR
30	53168-MG9-315	GRIP, R. HANDLEBAR
31	90651-MA6-720	BAND, WIRE HARNESS
32	90690-GHB-611	CLIP (25MM)
32	90690-GHB-661	CLIP, CABLE (20MM)
33	93892-05025-07	SCREW-WASHER (5X25)
33	93892-05026-07	SCREW-WASHER (5X26)
34	93892-05028-07	SCREW-WASHER (5X28)
35	93892-05045-07	SCREW-WASHER (5X45)
36	93893-05032-08	SCREW-WASHER (5X32)
37	93901-32120	SCREW, TAPPING (3X8)
38	93901-32220	SCREW, TAP (3X10)

Catalog Title:  
**GL1500A/SE/ '94 - '95**

Block No.  
**F 05**

Block Title:  
**FR. BRAKE MASTER CYLINDER**

Ref. No.	Part No.	Description
1	35340-MG9-305	SWITCH, FR. STOP - A'94'95, SE'94'95
1	35340-MG9-951	SWITCH ASSY., FR.- A'94'95, SE'94'95
2	35340-MM5-600	SWITCH, FR. STOP - I'94'95
3	45125-MT8-003	HOSE, R. FR. BRAKE
4	45504-410-003	BOOT COMP.
5	45510-MT8-305	M/CYL SUB-ASSY, FR. - A/ SE'94
5	45510-MAM-305	M/CYL SUB-ASSY, FR.- A'94'95, SE'94'95
5	45510-MW5-305	M/CYL SUB-ASSY, FR. - I'94
5	45510-MAM-306	M/CYL SUB-ASSY, FR. - I'95
6	45512-MA6-006	PROTECTOR
7	45513-MN5-006	CAP, MASTER CYLINDER
8	45517-MN5-006	HOLDER - ALL '94
8	45517-MAM-006	HOLDER- ALL '95
9	45518-MM5-006	PLATE, DIAPHRAGM
10	45520-MM5-006	DIAPHRAGM
11	45522-422-000	BOOT
12	45523-MN5-006	FLOAT, FR.
13	45530-MG9-951	MASTER CYLINDER SET
14	45553-MN5-000	CAP- A'94'95, SE'94'95
15	53175-MT8-016	LEVER, R. HANDLEBAR
16	90114-MG9-951	BOLT, HANDLEBAR
17	90145-MS9-611	BOLT, OIL (10X22)
17	90145-MS9-612	BOLT, OIL (10X22)
18	90202-ZV0-000	NUT, CAP (6MM)
19	90545-300-000	WASHER, OIL BOLT

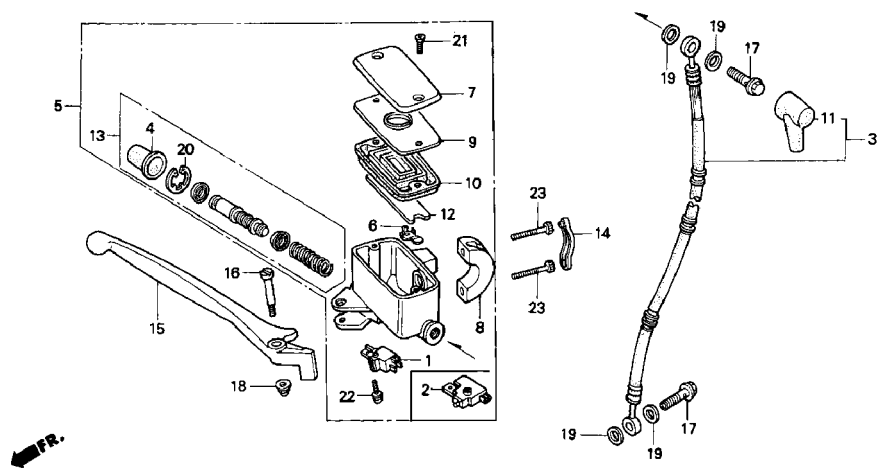


Catalog Title:  
**GL1500A/SE/ '94 - '95**

Block No.  
**F 05**

Block Title:  
**FR. BRAKE MASTER CYLINDER**

Ref. No.	Part No.	Description
20	90651-MA5-671	CIRCLIP
21	93600-04012-0G	SCREW, FLAT (4X12)
21	93600-04012-1G	SCREW, FLAT (4X12)
22	93893-04012-18	SCREW-WASHER (4X12) - ALL '94
22	93893-04012-07	SCREW-WASHER (4X12) - ALL '95
23	96600-06020-17	BOLT, SOCKET (6X20)



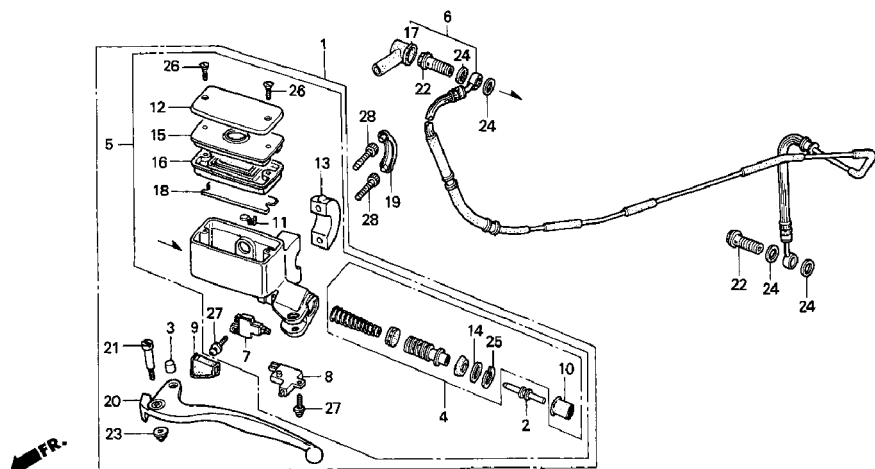


Catalog Title:  
**GL1500A/SE/ '94 - '95**

Block No.  
**F 06**

Block Title:  
**CLUTCH MASTER CYLINDER**

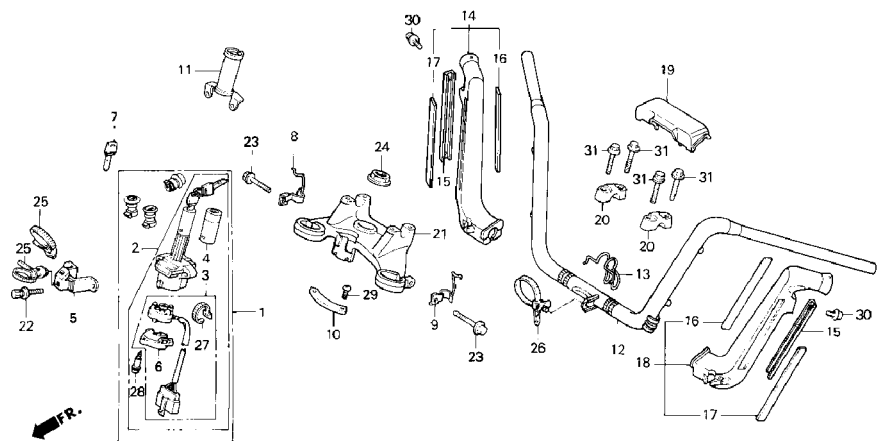
Ref. No.	Part No.	Description
22	90145-MS9-612	BOLT, OIL (10X22)
23	90202-ZV0-000	NUT, CAP (6MM)
24	90545-300-000	WASHER, OIL BOLT
25	90651-377-003	CIRCLIP (18MM)
26	93600-04012-0G	SCREW, FLAT (4X12)
26	93600-04012-1G	SCREW, FLAT (4X12)
27	93893-04012-07	SCREW-WASHER (4X12)
27	93893-04012-17	SCREW-WASHER (4X12)
28	96600-06020-17	BOLT, SOCKET (6X20)



Catalog Title:  
**GL1500A/SE/ '94 - '95**

Block No.  
**F 07**

Block Title:  
**HANDLEBAR**

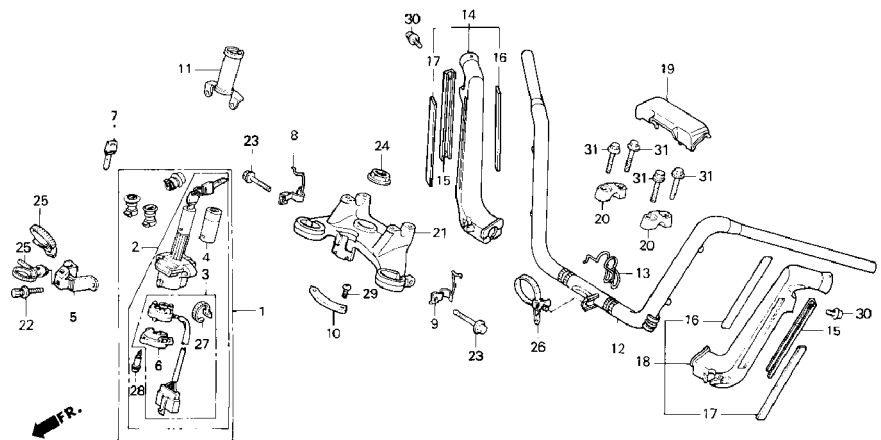


Ref. No.	Part No.	Description
1	35010-MT8-771	LOCK SET - A/SE '94
1	35010-MAM-670	LOCK SET - ALL '95
1	35010-MW5-870	LOCK SET - I'94
2	35100-MT8-771	SWITCH ASSY.
3	35101-MT8-771	BASE COMP., CONTACT
4	35102-MT8-770	CAP
5	35105-MN5-000	STAY
6	35105-MT8-770	COVER, SWITCH
7	35121-MN5-810	KEY, BLANK (TYPE1) - A/SE '94
7	35122-MN5-810	KEY, BLANK (TYPE2) - A/SE '94
7	35121-MAM-810	KEY, BLANK TYPE 1 - ALL '95
7	35122-MAM-810	KEY, BLANK TYPE 2 - ALL '95
7	35121-KW3-771	KEY, BLANK (TYPE1)- I'94
7	35122-KW3-771	KEY, BLANK (TYPE2)- I'94
8	45158-MZ3-000	CLAMP, R. HOSE
9	45159-MZ3-000	CLAMP, L. HOSE
10	50341-MN5-000	CVR, HANDLE STOPPER
11	50410-MT8-000	GUARD
12	53100-MZ3-000	HANDLEBAR
13	53101-MW5-000	GUIDE
14	53110-MN5-000ZA	CVR *NH159L* (TYPE1)
14	53110-MN5-000ZH	COVER *R200* (TYPE7)
15	53111-MN5-000ZA	PLATE *NH159L*
15	53111-MN5-000ZH	PLATE *R200* (TYPE7)
16	53115-MN5-300	MOLDING A

Catalog Title:  
**GL1500A/SE/ '94 - '95**

Block No.  
**F 07**

Block Title:  
**HANDLEBAR**



Ref. No.	Part No.	Description
17	53116-MN5-300	MOLDING B
18	53120-MN5-000ZA	CVR *NH159L* (TYPE1)
18	53120-MN5-000ZH	COVER *R200* (TYPE7)
19	53130-MN5-000	COVER, HANDLE CENTER
20	53131-MN5-000	HOLDER (UPPER)
21	53230-MZ3-000	BRIDGE, FORK TOP
22	90103-MN5-000	BOLT
23	90112-KE1-760	BOLT, FLANGE (8X35)
24	90304-MJ4-670	NUT, STEERING STEM
25	90672-MN5-000	CLIP, WIRE HARNESS
26	90672-SA0-003	STRAP, CABLE (118MM)
27	91058-MG9-681	BAND, SELF-LOCK
28	91059-MG9-681	SCREW, TAP (3X16)
29	93500-04006-0G	SCREW, PAN (4X6)
30	93891-04008-07	SCREW-WASHER (4X8)
30	93891-04008-17	SCREW-WASHER (4X8)
31	95701-08035-02	BOLT, FLANGE (8X35)

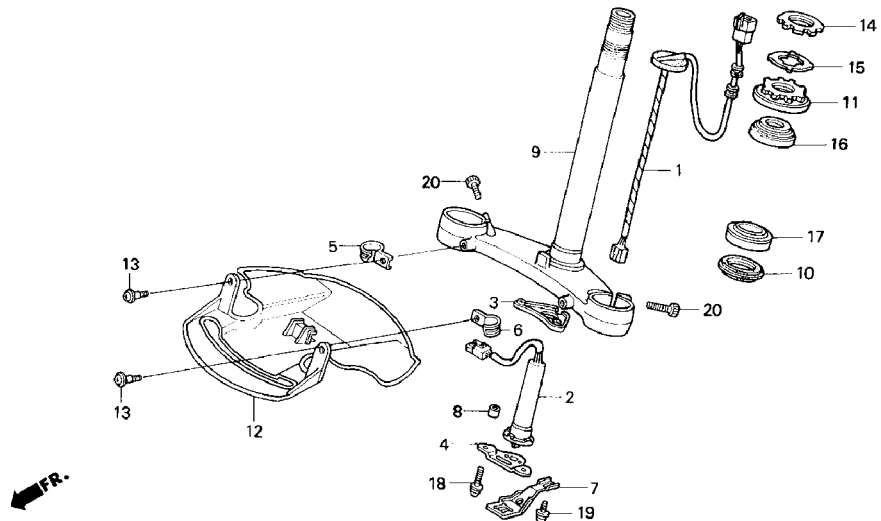
**Selection table for lock or blank key**

Refer to the following selection table to select the lock or blank key.

Type	Key No.
TYPE 1	A** , B**
TYPE 2	C** , D**

\* : 0, 1, 2, 3, 4, 5, 6, 7, 8 or 9

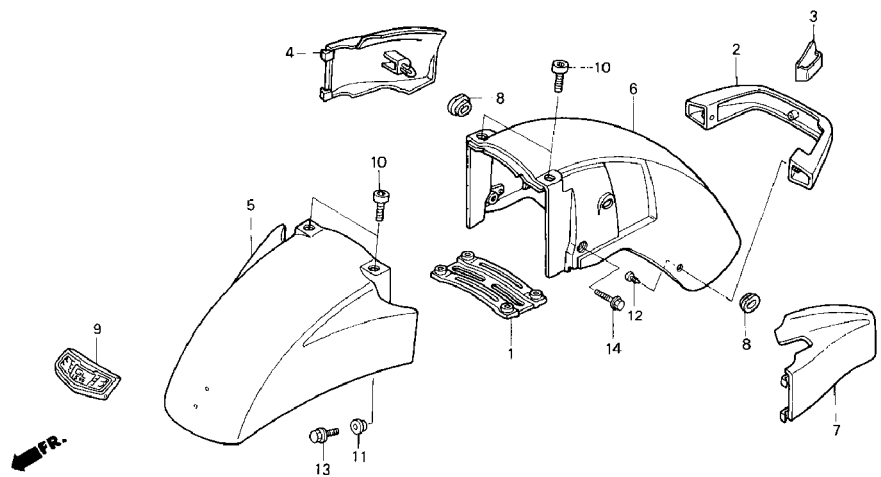
Ref. No.	Part No.	Description
1	32108-MN5-000	SUB-WIRE, CANCEL- A/SE '94'95
2	35220-MN5-003	CANCEL UNIT- A/SE '94'95
3	35231-MG9-680	PLATE, ANGLE SENSOR- A/SE '94'95
4	35255-MN5-000	PLATE, ANGLE SENSOR
5	45156-MN5-000	CLAMP, R. FR.
6	45157-MN5-000	CLAMP, L. FR.
7	50231-MB9-010	SUPPORT, SENSOR- A/SE '94'95
8	52156-GB0-900	COLLAR, HANDLE COVER - I'94'95
9	53200-MN5-000	STEM COMP., STEERING
10	53214-371-010	DUST SEAL
11	53220-422-000	THREAD COMP. (UPPER)
12	61403-MT8-010	PROTECTOR, WIND
13	90105-MB1-000	SCREW (5X12)
14	90302-425-830	THREAD
15	90506-425-830	WASHER, LOCK
16	91015-425-831	BEARING, HEAD PIPE
16	91015-425-832	BEARING, HEAD PIPE
17	91016-371-000	BEARING, HEAD PIPE
18	93893-05016-07	SCREW-WASHER (5X16)
19	93894-05012-07	SCREW-WASHER (5X12)- A/SE '94'95
20	96700-10025-17	BOLT, SOCKET (10X25)



Catalog Title:  
**GL1500A/SE/I '94 - '95**

Block No.  
**F 09**

Block Title:  
**FRONT FENDER**



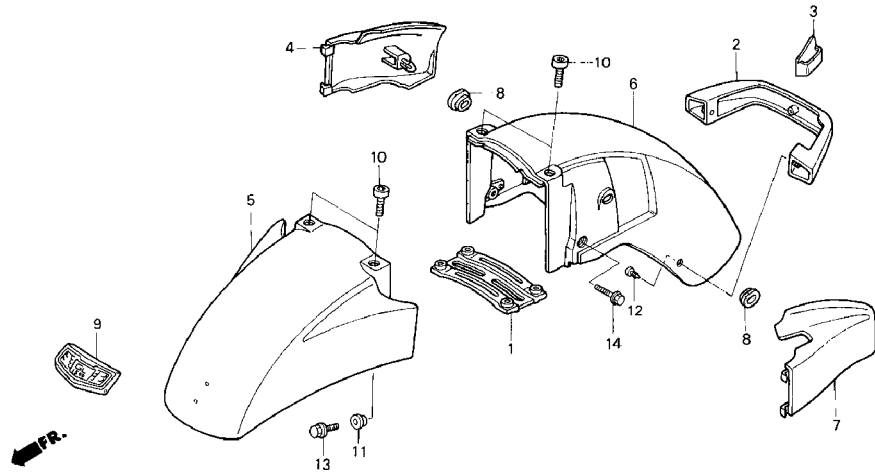
Ref. No.	Part No.	Description
1	61101-MN5-000	STAY, FENDER
2	61102-MW5-000ZA	GUARD *MRCR2* - A/SE '94'95
2	61102-MW5-000ZK	GUARD *TMRCR2* - A/SE '94'95
2	61102-MN5-000ZA	GUARD *NH132M* - I'94'95
3	61103-MN5-000	GUIDE, CABLE
4	61104-MN5-000ZJ	COVER, R. FR. *NH1Z* - A/I '94'95
4	61104-MN5-000ZT	CVR, R. FR. *B142P* - ALL '94
4	61104-MN5-000ZN	CVR, R. FR. *R176C*
4	61104-MN5-000ZW	CVR, R. FR. *RP151P* '95 A/SE
4	61104-MN5-000ZV	CVR, R. FR. *G156P* - ALL '95
4	61104-MN5-000ZU	CVR, R. FR. *BG101P* - SE'94
4	61104-MN5-000ZQ	CVR, R. FR. *NH326P* - SE'94'95
5	61105-MN5-000ZJ	FENDER A, FR. *NH1Z* - '94A/I
5	61105-MN5-000ZU	FDR A, FR. *B142P* - '94A/I
5	61105-MN5-000ZN	FDR A, FR. *R176C* - A/I '94'95
5	61105-MN5-000ZX	FDR A, FR. *RP151P* - A'95
5	61105-MN5-000ZW	FDR A, FR. *G156P* - '95A/I
5	61100-MAF-770ZE	FDR SET A *BG101P* - SE'94
5	61100-MAF-770ZF	FENDER SET A *B142P* - SE'94
5	61100-MAF-770ZG	FENDER SET A (TYPE7) - SE'94
5	61100-MAM-A70ZD	FENDER SET A (TYPE7) - SE'94'95
5	61100-MAM-D80ZE	FENDER SET A *R176C* - SE'94'95
5	61105-MN5-000ZS	FDR A, FR. *NH326P* - SE'94'95
5	61100-MAM-A10ZA	FENDER SET A (TYPE7) - SE'94'95
5	61100-MAM-A70ZE	FDR SET A *RP151K* - SE'95

Catalog Title:  
**GL1500A/SE/ '94 - '95**

Block No.  
**F 09**

Block Title:  
**FRONT FENDER**

Ref. No.	Part No.	Description
5	61100-MAM-770ZD	FENDER SET A *R176C* - SE'94'95
5	61100-MAM-770ZE	FDR SET A *RP151P* - SE'95
5	61100-MAM-770ZF	FENDER SET A *G156P* - SE'95
5	61100-MAM-770ZG	FENDER, FR. *R176* - SE'94'95
6	61106-MN5-000ZJ	FENDER B, FR. *NH1Z* - A/I'94
6	61106-MN5-000ZU	FENDER B *B142P* - ALL'94
6	61106-MN5-000ZN	FENDER B *R176C*
6	61106-MN5-000ZX	FENDER B *RP151P* A/SE'95
6	61106-MN5-000ZW	FENDER B *G156P*- ALL'95
6	61106-MN5-000ZV	FENDER B *BG101P* - SE'94
6	61106-MN5-000ZS	FENDER B *NH326P* - SE'94'95
7	61114-MN5-000ZJ	COVER, L. FR. *NH1Z* - A/I'94
7	61114-MN5-000ZT	CVR, L. FR. *B142P* - ALL '94
7	61114-MN5-000ZN	CVR, L. FR. *R176C*
7	61114-MN5-000ZW	CVR, L. FR. *RP151P* A/SE'95
7	61114-MN5-000ZV	CVR, L. FR. *G156P* - ALL'95
7	61114-MN5-000ZU	CVR, L. FR. *BG101P* - SE'94
7	61114-MN5-000ZQ	CVR, L. FR. *NH326P* - SE'94'95
8	64266-MG9-770	GROMMET
9	87124-MT8-000	EMBLEM, FR. FENDER - A/I '94'95
9	87124-MT8-770	EMBLEM, FR. FENDER - SE'94'95
10	90124-MN5-000	BOLT, SOCKET (7X17)
11	90555-197-890	WASHER, FLG (6X3.5)
12	93903-24220	SCREW, TAP (4X10)
13	95701-06010-08	BOLT, FLANGE (6X10)

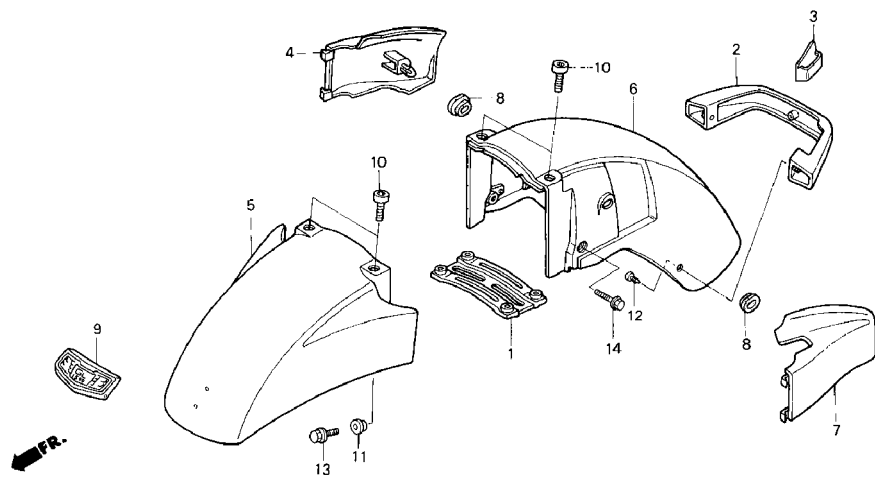


Catalog Title:  
**GL1500A/SE/ '94 - '95**

Block No.  
**F 09**

Block Title:  
**FRONT FENDER**

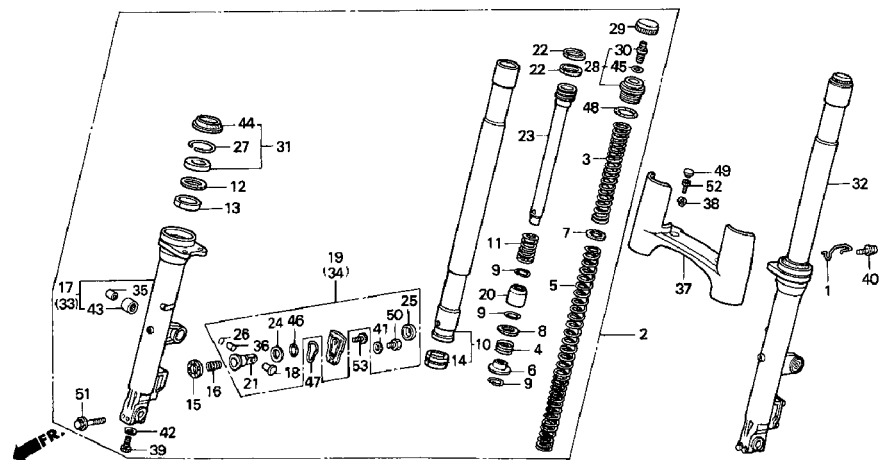
Ref. No.	Part No.	Description
14	95701-06016-08	BOLT, FLANGE (6X16)



Catalog Title:  
**GL1500A/SE/ '94 - '95**

Block No.  
**F 10**

Block Title:  
**FRONT FORK - GL1500A/SE '94**

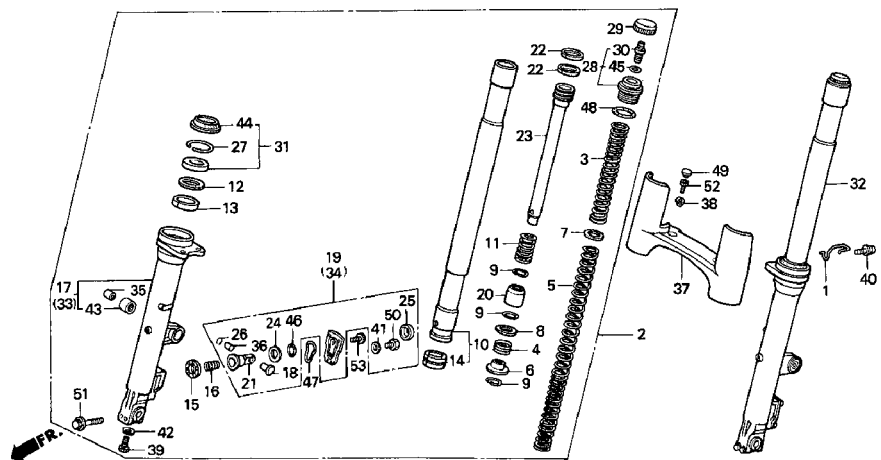


Ref. No.	Part No.	Description
1	44832-MT8-000	GUIDE, METER CABLE
2	51400-MZ3-771	FORK ASSY., R. FR.
3	51401-MN5-003	SPRING, FR. FORK
4	51402-MB7-611	SPRING, OIL LOCK
5	51402-MN5-003	SPRING B, FR. FORK
6	51403-MB7-611	VALVE, OIL LOCK
7	51404-MB4-003	PLATE, SPRING JOINT
8	51404-MB7-611	SEAT, SPRING
9	51405-MB7-611	RING, STOPPER
10	51410-MT8-003	PIPE COMP., FR. FORK
11	51411-MN5-003	SPRING, REBOUND
12	51412-MB4-003	RING, BACK-UP
13	51414-MN5-003	BUSH, GUIDE
14	51415-MN5-003	BUSH, SLIDER
15	51417-MJ6-013	GASKET
16	51418-MN5-003	SPRING, PISTON
17	51421-MN5-003	CASE, R. (LOWER)
18	51423-MJ0-003	COLLAR, PISTON
19	51430-MT8-003	CASE COMP., PISTON
20	51432-MN5-003	PIECE, OIL LOCK
21	51436-MT8-003	PISTON
22	51437-MN5-003	RING, PISTON
23	51440-MN5-003	PIPE, SEAT
24	51441-MT8-003	RUBBER, STOPPER
25	51442-MJ0-003	BOOT, PISTON CASE

Catalog Title:  
**GL1500A/SE/ '94 - '95**

Block No.  
**F 10**

Block Title:  
**FRONT FORK - GL1500A/SE '94**



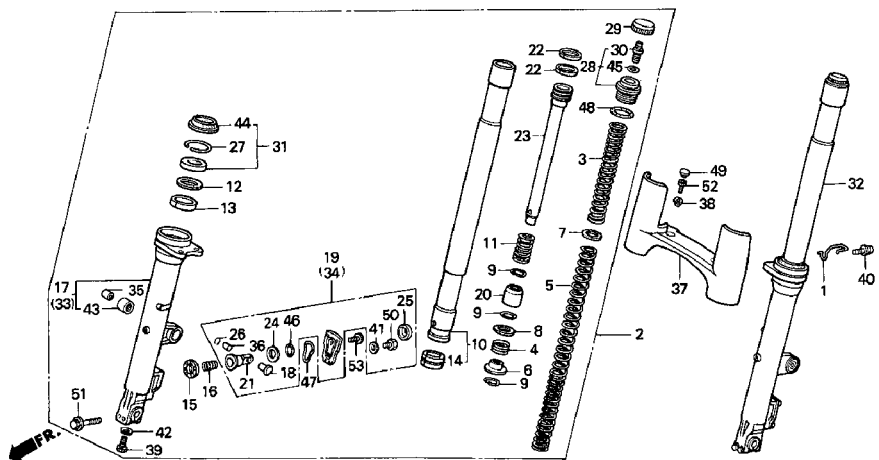
Ref. No.	Part No.	Description
26	51445-MJ0-003	RING, STOPPER
27	51447-KA4-711	RING
28	51450-MN5-305	BOLT ASSY., FR. FORK
29	51456-MB2-003	CAP, AIR VALVE
30	51456-469-013	VALVE COMP., AIR
31	51490-MN8-305	SEAL SET, FR. FORK
32	51500-MZ3-771	FORK ASSY., L. FR.
33	51521-MN5-003	CASE, L. (LOWER)
34	51530-MT8-003	CASE, L. PISTON
35	51536-ML7-000	COLLAR, L. FR.
36	51545-MJ0-003	BUSH, RUBBER
37	61050-MW5-000ZA	CVR *MRCR2* (TYPE7)
37	61050-MW5-000ZG	COVER, FR. *TMRCR2*
38	64630-GE3-610	COLLAR
39	90116-KV3-701	BOLT, SOCKET (8MM)
40	90132-MN5-000	SCREW-WASHER (5X12)
41	90543-273-000	GASKET, FR.
42	90544-283-000	WASHER (8MM)
43	91071-ML7-003	BEARING (1422)
44	91254-MM8-003	DUST SEAL
45	91301-469-003	O-RING (5.8X1.9)
45	91305-323-000	O-RING (5.8X1.9)
46	91304-MJ0-003	O-RING (15.8X2.4)
47	91308-MJ0-003	O-RING
48	91356-KF0-003	O-RING (33.2X2.4)

Catalog Title:  
**GL1500A/SE/ '94 - '95**

Block No.  
**F 10**

Block Title:  
**FRONT FORK - GL1500A/SE '94**

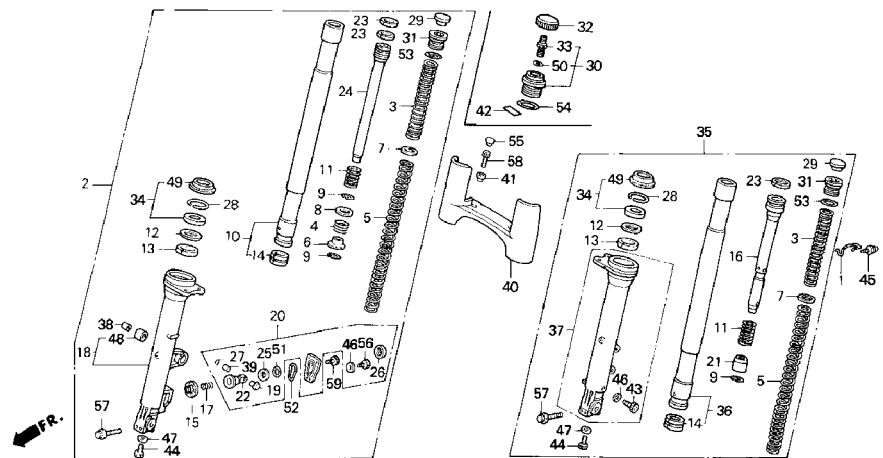
Ref. No.	Part No.	Description
49	91455-MG8-000	CAP (6MM)
50	92101-06008-0A	BOLT, HEX. (6X8)
51	96400-08045-08	BOLT, FLANGE (8X45)
52	96700-06010-08	BOLT, SOCKET (6X10)
53	96600-06016-00	BOLT, SOCKET (6X16)
53	96700-06016-00	BOLT, SOCKET (6X16)
53	96700-06016-17	BOLT, SOCKET (6X16)



Catalog Title:  
**GL1500A/SE/ '94 - '95**

Block No.  
**F 1001**

Block Title:  
**FRONT FORK - GL1500I '94**



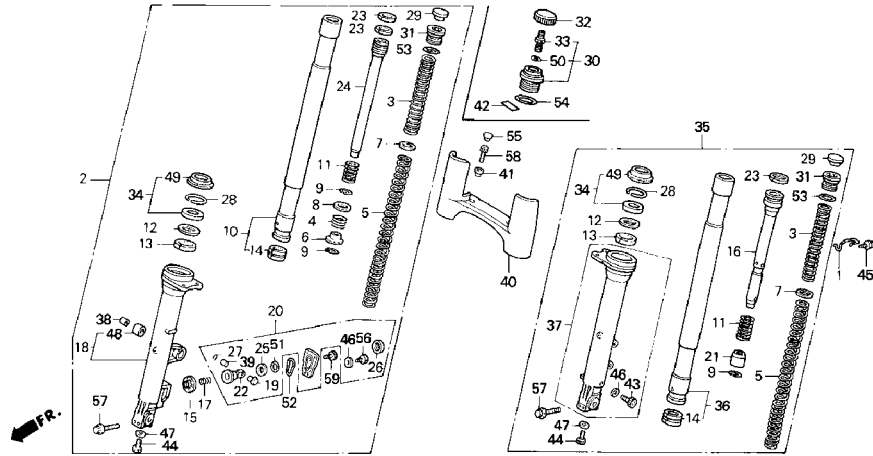
Ref. No.	Part No.	Description
1	44832-MT8-000	GUIDE, METER CABLE
2	51400-MW5-871	FORK ASSY., R. FR.
3	51401-MN5-003	SPRING, FR. FORK
4	51402-MB7-611	SPRING, OIL LOCK
5	51402-MN5-003	SPRING B, FR. FORK
6	51403-MB7-611	VALVE, OIL LOCK
7	51404-MB4-003	PLATE, SPRING JOINT
8	51404-MB7-611	SEAT, SPRING
9	51405-MB7-611	RING, STOPPER
10	51410-MT8-003	PIPE COMP., FR. FORK
11	51411-MN5-003	SPRING, REBOUND
12	51412-MB4-003	RING, BACK-UP
13	51414-MN5-003	BUSH, GUIDE
14	51415-MN5-003	BUSH, SLIDER
15	51417-MJ6-013	GASKET
16	51417-MW5-871	PIPE, L. SEAT
17	51418-MN5-003	SPRING, PISTON
18	51421-MN5-003	CASE, R. (LOWER)
19	51423-MJ0-003	COLLAR, PISTON
20	51430-MT8-003	CASE COMP., PISTON
21	51432-MN5-003	PIECE, OIL LOCK
22	51436-MT8-003	PISTON
23	51437-MN5-003	RING, PISTON
24	51440-MN5-003	PIPE, SEAT
25	51441-MT8-003	RUBBER, STOPPER

Catalog Title:  
**GL1500A/SE/ '94 - '95**

Block No.  
**F 1001**

Block Title:  
**FRONT FORK - GL1500I '94**

Ref. No.	Part No.	Description
26	51442-MJ0-003	BOOT, PISTON CASE
27	51445-MJ0-003	RING, STOPPER
28	51447-KA4-711	RING
29	51449-MN5-003	CAP, FORK PIPE
30	51450-MN5-305	BOLT ASSY., FR. FORK
31	51455-MN5-003	BOLT, FR. FORK
32	51456-MB2-003	CAP, AIR VALVE
33	51456-469-013	VALVE COMP., AIR
34	51490-MN8-305	SEAL SET, FR. FORK
35	51500-MW5-871	FORK ASSY., L. FR.
36	51510-MW5-871	PIPE, L. FR. FORK
37	51521-MW5-871	CASE, L. (LOWER)
38	51536-ML7-000	COLLAR, L. FR.
39	51545-MJ0-003	BUSH, RUBBER
40	61050-MN5-000ZA	CVR *NH132M* (TYPE1)
41	64630-GE3-610	COLLAR
42	87517-KM9-640	LABEL, FR.
43	90111-MK7-671	BOLT, SOCKET (6X8)
44	90116-KV3-701	BOLT, SOCKET (8MM)
45	90132-MN5-000	SCREW-WASHER (5X12)
46	90543-273-000	GASKET, FR.
47	90544-283-000	WASHER (8MM)
48	91071-ML7-003	BEARING (1422)
49	91254-MM8-003	DUST SEAL
50	91301-469-003	O-RING (5.8X1.9)

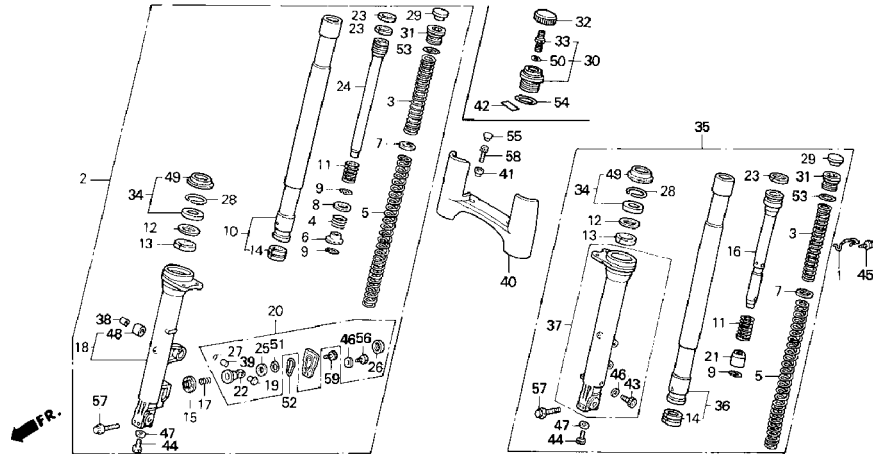


Catalog Title:  
**GL1500A/SE/ '94 - '95**

Block No.  
**F 1001**

Block Title:  
**FRONT FORK - GL1500I '94**

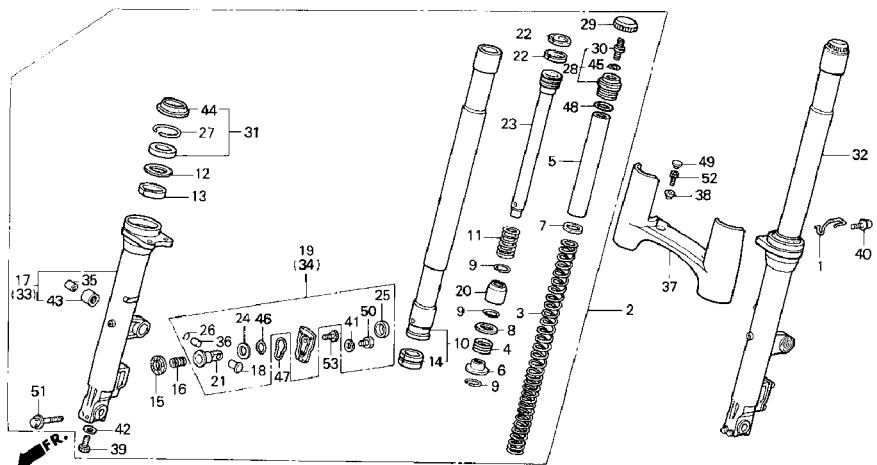
Ref. No.	Part No.	Description
50	91305-323-000	O-RING (5.8X1.9)
51	91304-MJ0-003	O-RING (15.8X2.4)
52	91308-MJ0-003	O-RING
53	91356-KF0-003	O-RING (33.2X2.4)
54	91356-KF0-003	O-RING (33.2X2.4)
55	91455-MG8-000	CAP (6MM)
56	92101-06008-0A	BOLT, HEX. (6X8)
57	96400-08045-08	BOLT, FLANGE (8X45)
58	96700-06010-08	BOLT, SOCKET (6X10)
59	96600-06016-00	BOLT, SOCKET (6X16)
59	96700-06016-00	BOLT, SOCKET (6X16)
59	96700-06016-17	BOLT, SOCKET (6X16)



Catalog Title:  
**GL1500A/SE/ '94 - '95**

Block No.  
**F 1002**

Block Title:  
**FRONT FORK - GL1500A/SE '95**

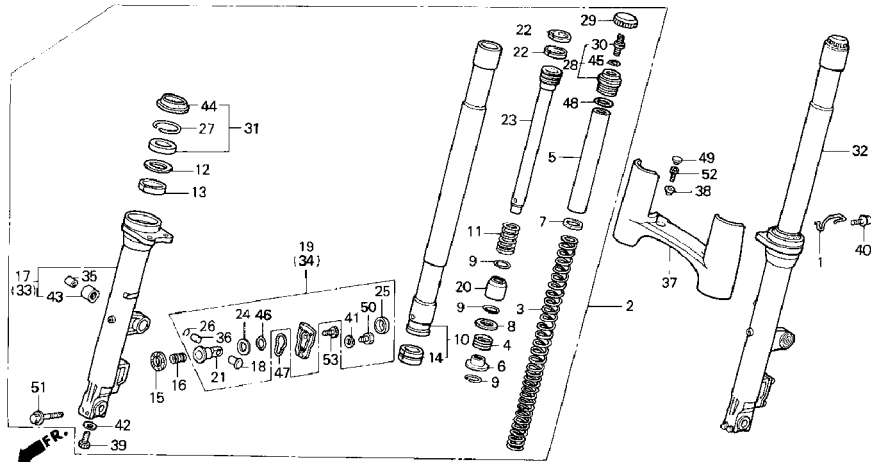


Ref. No.	Part No.	Description
1	44832-MT8-000	GUIDE, METER CABLE
2	51400-MAM-771	FORK ASSY., R. FR.
3	51401-MAM-003	SPRING, FR. FORK
4	51402-MB7-611	SPRING, OIL LOCK
5	51402-MN0-003	COLLAR, SPRING
6	51403-MB7-611	VALVE, OIL LOCK
7	51404-MB4-003	PLATE, SPRING JOINT
8	51404-MB7-611	SEAT, SPRING
9	51405-MB7-611	RING, STOPPER
10	51410-MAM-003	PIPE COMP., FR. FORK
11	51411-MN5-003	SPRING, REBOUND
12	51412-MB4-003	RING, BACK-UP
13	51414-MN5-003	BUSH, GUIDE
14	51415-MN5-003	BUSH, SLIDER
15	51417-MJ6-013	GASKET
16	51418-MN5-003	SPRING, PISTON
17	51421-MN5-003	CASE, R. (LOWER)
18	51423-MJ0-003	COLLAR, PISTON
19	51430-MT8-003	CASE COMP., PISTON
20	51432-MN5-003	PIECE, OIL LOCK
21	51436-MT8-003	PISTON
22	51437-MN5-003	RING, PISTON
23	51440-MN5-003	PIPE, SEAT
24	51441-MT8-003	RUBBER, STOPPER
25	51442-MJ0-003	BOOT, PISTON CASE

Catalog Title:  
**GL1500A/SE/ '94 - '95**

Block No.  
**F 1002**

Block Title:  
**FRONT FORK - GL1500A/SE '95**



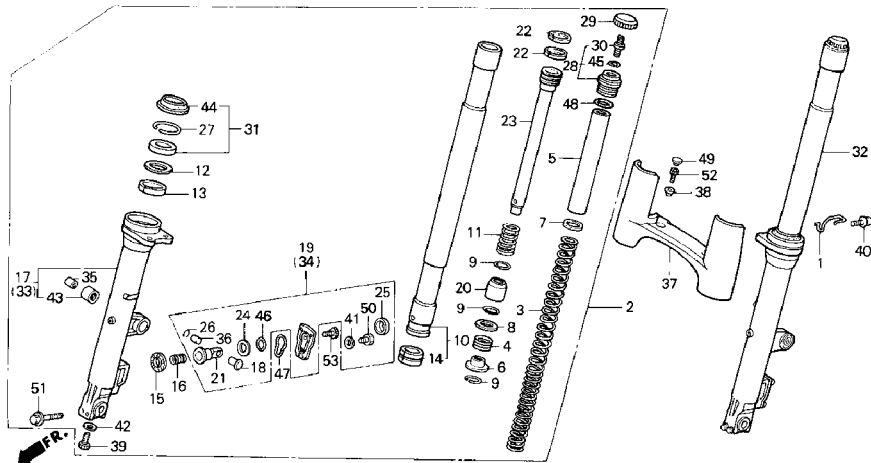
Ref. No.	Part No.	Description
26	51445-MJ0-003	RING, STOPPER
27	51447-KA4-711	RING
28	51450-MN5-305	BOLT ASSY., FR. FORK
29	51456-MB2-003	CAP, AIR VALVE
30	51456-469-013	VALVE COMP., AIR
31	51490-MN8-305	SEAL SET, FR. FORK
32	51500-MAM-771	FORK ASSY., L. FR.
33	51521-MN5-003	CASE, L. (LOWER)
34	51530-MT8-003	CASE, L. PISTON
35	51536-ML7-000	COLLAR, L. FR.
36	51545-MJ0-003	BUSH, RUBBER
37	61050-MW5-000ZA	CVR *MRCR2* (TYPE7)
37	61050-MW5-000ZG	COVER, FR. *TMRCR2*
38	64630-GE3-610	COLLAR
39	90116-KV3-701	BOLT, SOCKET (8MM)
40	90132-MN5-000	SCREW-WASHER (5X12)
41	90543-273-000	GASKET, FR.
42	90544-283-000	WASHER (8MM)
43	91071-ML7-003	BEARING (1422)
44	91254-MM8-003	DUST SEAL
45	91301-469-003	O-RING (5.8X1.9)
45	91305-323-000	O-RING (5.8X1.9)
46	91304-MJ0-003	O-RING (15.8X2.4)
47	91308-MJ0-003	O-RING
48	91356-KF0-003	O-RING (33.2X2.4)

Catalog Title:  
**GL1500A/SE/ '94 - '95**

Block No.  
**F 1002**

Block Title:  
**FRONT FORK - GL1500A/SE '95**

Ref. No.	Part No.	Description
49	91455-MG8-000	CAP (6MM)
50	92101-06008-0A	BOLT, HEX. (6X8)
51	96400-08045-08	BOLT, FLANGE (8X45)
52	96700-06010-08	BOLT, SOCKET (6X10)
53	96600-06016-00	BOLT, SOCKET (6X16)
53	96700-06016-00	BOLT, SOCKET (6X16)
53	96700-06016-17	BOLT, SOCKET (6X16)

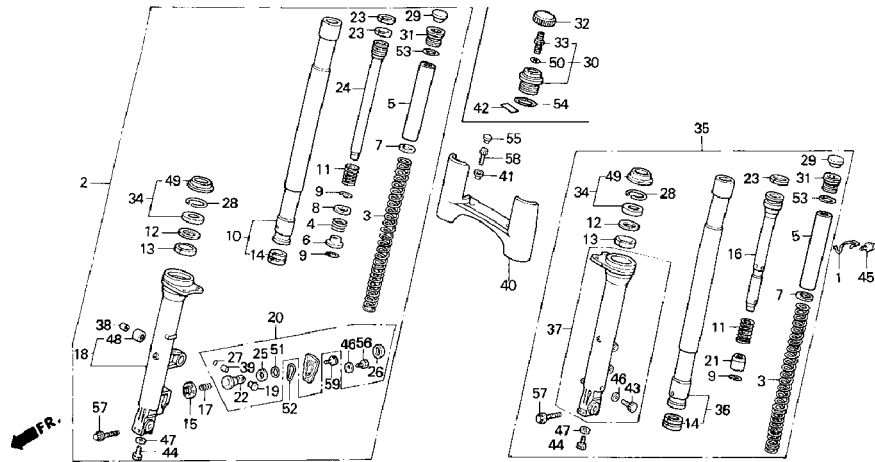


Catalog Title:  
**GL1500A/SE/ '94 - '95**

Block No.  
**F 1003**

Block Title:  
**FRONT FORK - GL1500I '95**

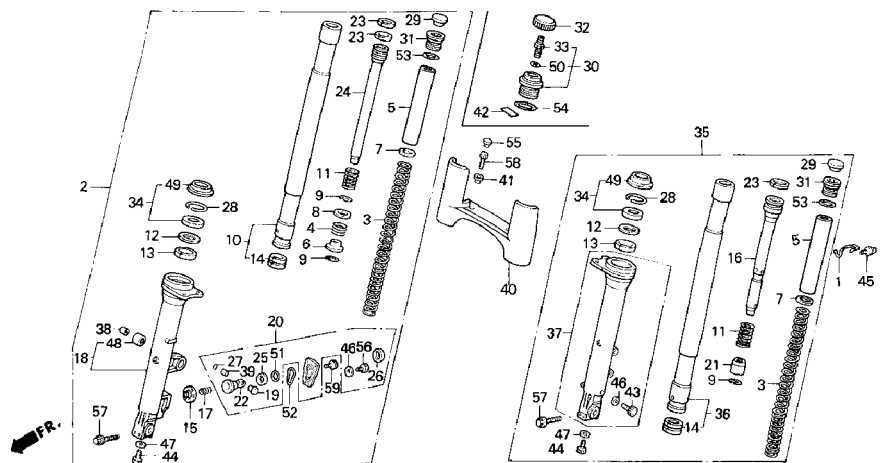
Ref. No.	Part No.	Description
1	44832-MT8-000	GUIDE, METER CABLE
2	51400-MAM-003	FORK ASSY., R. FR.
3	51401-MAM-003	SPRING, FR. FORK
4	51402-MB7-611	SPRING, OIL LOCK
5	51402-MN0-003	COLLAR, SPRING
6	51403-MB7-611	VALVE, OIL LOCK
7	51404-MB4-003	PLATE, SPRING JOINT
8	51404-MB7-611	SEAT, SPRING
9	51405-MB7-611	RING, STOPPER
10	51410-MAM-003	PIPE COMP., FR. FORK
11	51411-MN5-003	SPRING, REBOUND
12	51412-MB4-003	RING, BACK-UP
13	51414-MN5-003	BUSH, GUIDE
14	51415-MN5-003	BUSH, SLIDER
15	51417-MJ6-013	GASKET
16	51417-MW5-871	PIPE, L. SEAT
17	51418-MN5-003	SPRING, PISTON
18	51421-MN5-003	CASE, R. (LOWER)
19	51423-MJ0-003	COLLAR, PISTON
20	51430-MT8-003	CASE COMP., PISTON
21	51432-MM5-003	PIECE, OIL LOCK
22	51436-MT8-003	PISTON
23	51437-MN5-003	RING, PISTON
24	51440-MN5-003	PIPE, SEAT
25	51441-MT8-003	RUBBER, STOPPER



Catalog Title:  
**GL1500A/SE/ '94 - '95**

Block No.  
**F 1003**

Block Title:  
**FRONT FORK - GL1500I '95**



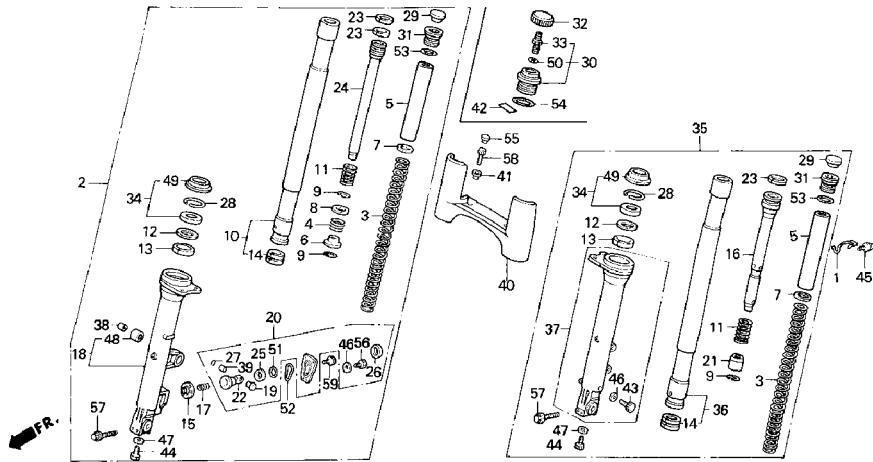
Ref. No.	Part No.	Description
26	51442-MJ0-003	BOOT, PISTON CASE
27	51445-MJ0-003	RING, STOPPER
28	51447-KA4-711	RING
29	51449-MN5-003	CAP, FORK PIPE
30	51450-MN5-305	BOLT ASSY., FR. FORK
31	51455-MN5-003	BOLT, FR. FORK
32	51456-MB2-003	CAP, AIR VALVE
33	51456-469-013	VALVE COMP., AIR
34	51490-MN8-305	SEAL SET, FR. FORK
35	51500-MAM-871	FORK ASSY., L. FR.
36	51510-MAM-871	PIPE, L. FR. FORK
37	51521-MW5-871	CASE, L. (LOWER)
38	51536-ML7-000	COLLAR, L. FR.
39	51545-MJ0-003	BUSH, RUBBER
40	61050-MN5-000ZA	CVR "NH132M" (TYPE1)
41	64630-GE3-610	COLLAR
42	87517-KM9-640	LABEL, FR.
43	90111-MK7-671	BOLT, SOCKET (6X8)
44	90116-KV3-701	BOLT, SOCKET (8MM)
45	90132-MN5-000	SCREW-WASHER (5X12)
46	90543-273-000	GASKET, FR.
47	90544-283-000	WASHER (8MM)
48	91071-ML7-003	BEARING (1422)
49	91254-MM8-003	DUST SEAL
50	91301-469-003	O-RING (5.8X1.9)

Catalog Title:  
**GL1500A/SE/ '94 - '95**

Block No.  
**F 1003**

Block Title:  
**FRONT FORK - GL1500I '95**

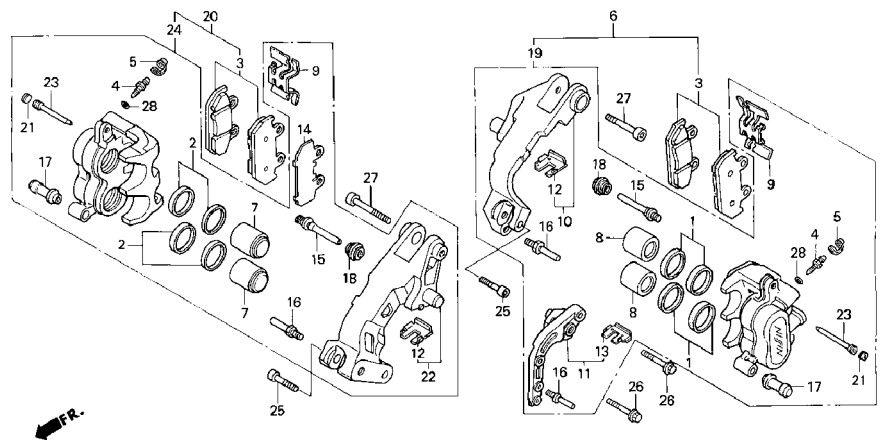
Ref. No.	Part No.	Description
50	91305-323-000	O-RING (5.8X1.9)
51	91304-MJ0-003	O-RING (15.8X2.4)
52	91308-MJ0-003	O-RING
53	91356-KF0-003	O-RING (33.2X2.4)
54	91356-KF0-003	O-RING (33.2X2.4)
55	91455-MG8-000	CAP (6MM)
56	92101-06008-0A	BOLT, HEX. (6X8)
57	96400-08045-08	BOLT, FLANGE (8X45)
58	96700-06010-08	BOLT, SOCKET (6X10)
59	96600-06016-00	BOLT, SOCKET (6X16)
59	96700-06016-00	BOLT, SOCKET (6X16)
59	96700-06016-17	BOLT, SOCKET (6X16)



Catalog Title:  
**GL1500A/SE/ '94 - '95**

Block No.  
**F 11**

Block Title:  
**FRONT BRAKE CALIPER**



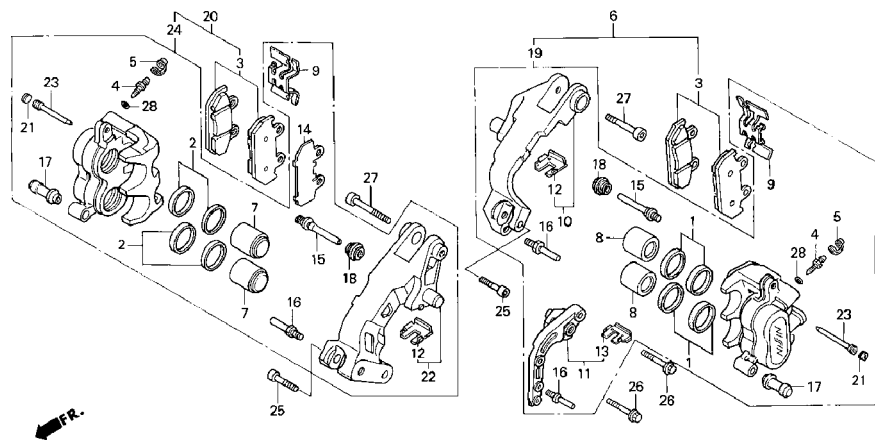
Ref. No.	Part No.	Description
1	06451-GE2-405	SEAL SET, PISTON
2	06451-166-405	SEAL SET, PISTON
3	06455-MT8-405	PAD SET, FR.
4	43352-MG9-006	SCREW, BLEEDER - ALL '94
4	43352-HC5-971	SCREW, BLEEDER - ALL '95
5	43353-MG9-006	CAP, BLEEDER SCREW - ALL '94
5	43353-443-761	CAP, BLEEDER SCREW - ALL '94
5	43353-461-771	CAP, BLEEDER
6	45100-MT8-008	CLPR, L. FR. BRAKE - A/SE '94
6	45100-MW5-871	CALIPER, L. FR. - I'84
7	45107-MN5-006	PISTON
8	45107-MT8-006	PISTON
9	45108-KV0-701	SPRING, PAD
10	45110-MN5-006	BRACKET, L. FR. - A/SE '94'95
11	45110-MW5-871	BRACKET, L. FR. - I'94'95
12	45112-MN5-006	RETAINER, BRACKET
13	45112-MW5-871	RETAINER, BRACKET - I'94'95
14	45114-MT8-006	SHIM
15	45131-HA5-672	BOLT A, BOLT
16	45131-166-016	PIN, BOLT
17	45132-166-016	BUSH, PIN
18	45133-MA3-006	BOOT B
19	45150-MAM-305	CALIPER SUB-ASSY. - A/SE'95
19	45150-MAM-306	CALIPER SUB-ASSY. I'95

Catalog Title:  
**GL1500A/SE/ '94 - '95**

Block No.  
**F 11**

Block Title:  
**FRONT BRAKE CALIPER**

Ref. No.	Part No.	Description
20	45200-MT8-018	CLPR, R. FR. BRAKE. - ALL '94
21	45203-MG3-016	PLUG, PIN
22	45210-MN5-006	BRACKET, R. FR.
23	45215-KA3-732	PIN, HANGER
24	45250-MAM-305	CALIPER SUB-ASSY.- ALL '95
25	90105-MT8-000	BOLT, SOCKET (6X25)
26	90131-KBV-003	BOLT, FLANGE (8X32) '94'95
27	90131-ML7-000	BOLT, SOCKET (8X36)
28	91355-MG9-006	O-RING- ALL '94



Catalog Title:

GL1500A/SE/I '94 - '95

Block No.

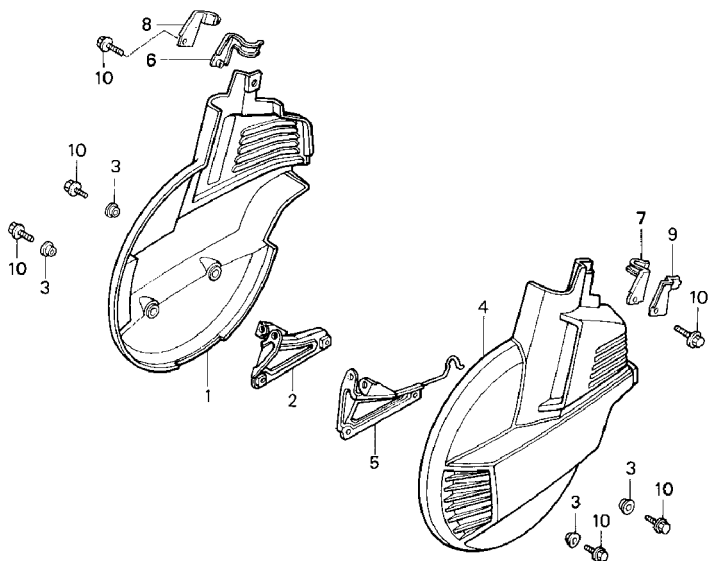
F 12

Block Title:

FRONT WHEEL COVER

Ref. No.	Part No.	Description
----------	----------	-------------

1	44111-MW5-000ZA	CVR, R. FR. (TYPE10) A/SE'94
1	44111-MW5-000	COVER, R. FR. WHEEL - A/SE'94'95
1	44111-MAF-000ZB	CVR, R. FR. (TYPE1) - I'94'95
2	44115-MN5-000	STAY, R. FR.
3	44125-MN5-000	COLLAR, FR.
4	44211-MW5-000ZA	CVR, L. FR. (TYPE10) A/SE'94
4	44211-MW5-000	COVER, L. FR. WHEELA/SE'94'95
4	44211-MAF-000ZB	CVR, L. FR. (TYPE1) - I'94'95
5	44215-MN5-000	STAY, L. FR.
6	45154-MT8-000	CLIP, R. FR. (LOWER)
7	45155-MT8-000	CLIP, L. FR. (LOWER)
8	45156-MT8-000	CLIP, R. FR. (LOWER)
9	45157-MT8-000	CLIP, L. FR. (LOWER)
10	96001-06016-02	BOLT, FLANGE (6X16)

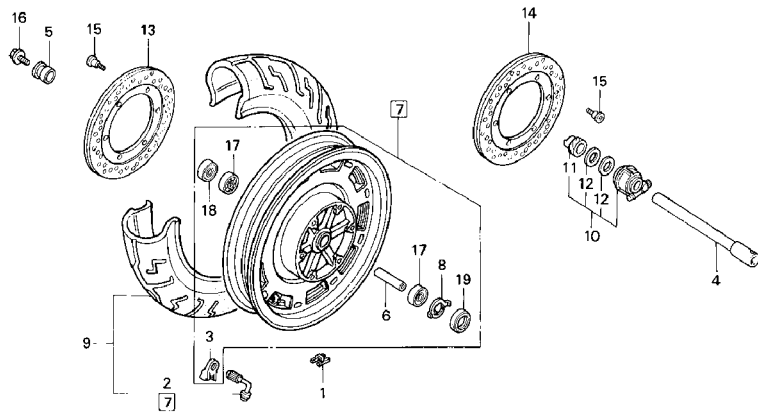


Catalog Title:  
**GL1500A/SE/ '94 - '95**

Block No.  
**F 13**

Block Title:  
**FRONT WHEEL**

Ref. No.	Part No.	Description
1	42704-MB0-000	WEIGHT (10G)
1	42705-MB0-000	WEIGHT (20G)
1	42706-MB0-000	WEIGHT (30G)
2	42753-MN5-004	VALVE, RIM
3	42754-MN5-000	HOLD, RIM VALVE
4	44301-MR5-000	AXLE, FR. WHEEL
4	44301-MR8-900	AXLE, FR. WHEEL
5	44311-ML7-000	COLR, FR. WHEEL SIDE
6	44620-MW5-000	COLLAR, FR.
7	44650-MW5-305	WHEEL SET, FR.
8	44680-MT2-000	RETAINER, GEAR BOX
9	44710-MN5-005	TIRE (130/70-18)
9	44711-MN5-005	TIRE (130/70-18 63H)
9	44711-MN5-015	TIRE (130/70-18 63H)
10	44800-MT2-003	BOX ASSY.
11	44806-MT2-003	GEAR, SPEEDOMETER
12	44809-ML7-003	WASHER
13	45251-MT8-000	DISK, R. FR. BRAKE
14	45351-MT8-000	DISK, L. FR. BRAKE
15	90105-KR3-000	BOLT, FR. (8X24)
16	90305-ML7-000	BOLT, FR. AXLE
17	91054-MAM-003	BEARING (6004UU)
17	91054-MW5-003	BEARING (6004)
18	91257-KA3-711	DUST SEAL (28X42X8)
18	91257-MAY-003	DUST SEAL (28X42X8)

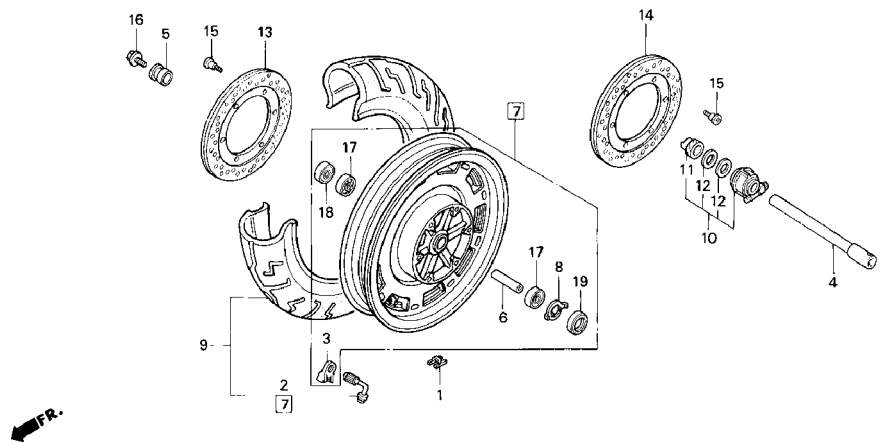


Catalog Title:  
**GL1500A/SE/ '94 - '95**

Block No.  
**F 13**

Block Title:  
**FRONT WHEEL**

Ref. No.	Part No.	Description
19	91258-ML7-003	DUST SEAL (45X55X5)



Catalog Title:

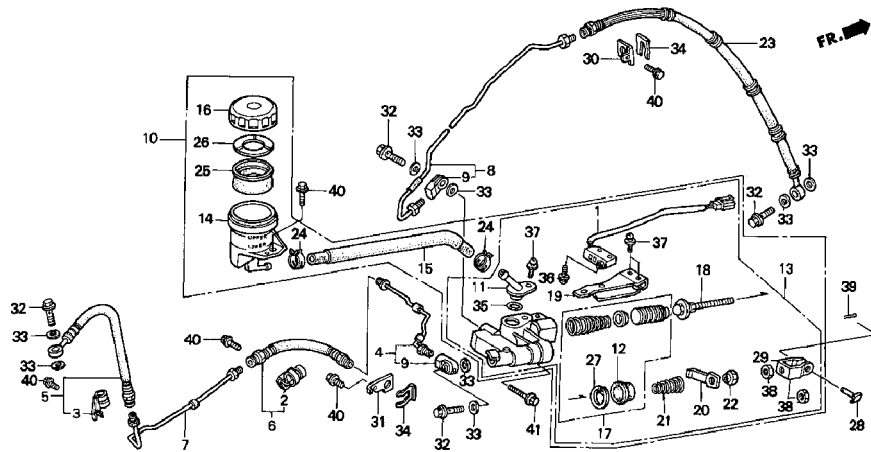
GL1500A/SE/ '94 - '95

Block No.

F 14

Block Title:

RR. BRAKE MASTER CYLINDER

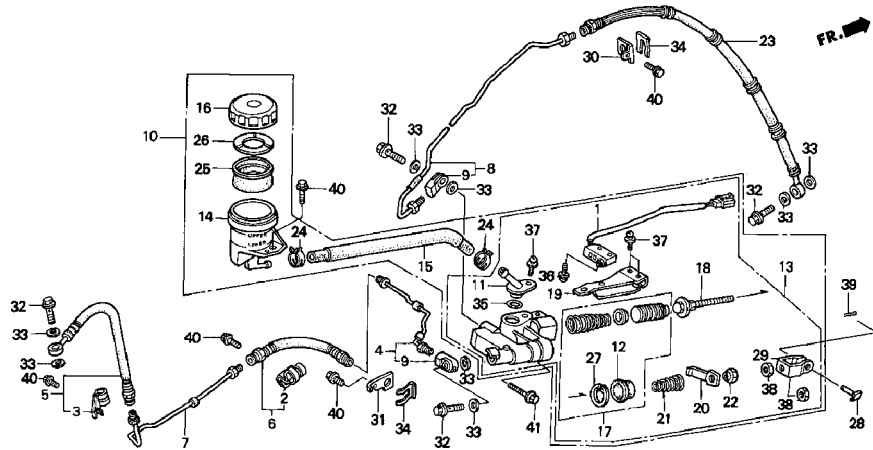


Ref. No.	Part No.	Description
1	35355-MT8-003	SWITCH ASSY., RR. - A/SE'94'95
2	43156-MN5-000	CLAMP, RR.
3	43157-MN5-000	CLAMP B, RR.
4	43300-MY4-000	PIPE ASSY., RR.
5	43310-MT8-003	HOSE, RR. BRAKE
6	43313-MT8-003	HOSE, RR. BRAKE
7	43314-MN5-000	PIPE, RR. BRAKE
8	43320-MY4-000	PIPE ASSY., RR.
9	43321-MY4-003	JOINT
10	43500-MT8-006	MASTER CYLINDER, RR. A/SE'94
10	43500-MW5-871	MASTER CYLINDER, RR. - I'94
11	43503-MN5-006	CONNECTOR
12	43504-MB2-006	BOOT COMP.
13	43510-MT8-305	M/CYL SUB-ASSY, RR. - A/SE'95
13	43510-MW5-305	M/CYL SUB-ASSY, RR. - I'95
14	43511-MN5-006	CUP
15	43512-MN5-000	HOSE, RR.
16	43513-MB4-672	CAP COMP., OIL CUP - ALL'94
16	43513-MY1-006	CAP, OIL CUP - ALL'95
17	43520-MG9-305	PISTON SET
18	43530-MN5-006	ROD COMP., PUSH
19	43535-MN5-006	BRACKET, SWITCH. - A/SE'94'95
20	43537-MN5-006	PLATE, SWITCH. - A/SE'94'95
21	43538-MN5-006	SPRING, SWITCH. - A/SE'94'95
22	43539-MN5-006	NUT, SWITCH PLATE. - A/SE'94'95

Catalog Title:  
**GL1500A/SE/ '94 - '95**

Block No.  
**F 14**

Block Title:  
**RR. BRAKE MASTER CYLINDER**



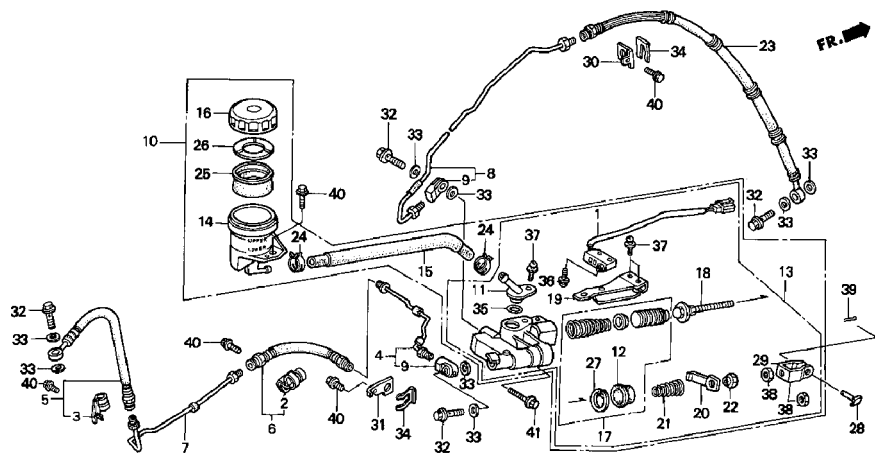
Ref. No.	Part No.	Description
23	45124-MT8-003	HOSE, L. FR. BRAKE
24	45514-KV3-006	CLAMP
25	45520-371-013	DIAPHRAGM
26	45521-MJ6-006	PLATE, DIAPHRAGM
27	46182-500-013	CIRCLIP
28	46503-KW3-000	PIN COMP., BRAKE ROD- ALL'94
28	95015-54000	PIN D, JOINT
29	46504-MT8-006	JOINT, BRAKE ROD
30	50301-MN5-000	BRKT, FR. BRAKE HOSE
31	50302-MN5-000	BRKT, RR. BRAKE HOSE
32	90145-MS9-611	BOLT, OIL (10X22)
32	90145-MS9-612	BOLT, OIL (10X22)
33	90545-300-000	WASHER, OIL BOLT
34	90651-538-000	CLIP, BRAKE HOSE
35	91212-422-006	O-RING (14.8X2.4)
36	93891-04014-08	SCREW-WASHER (4X14)
37	93893-04012-08	SCREW-WASHER (4X12)
37	93893-04012-18	SCREW-WASHER (4X12)
37	93893-04012-07	SCREW-WASHER (4X12)
37	93893-04012-17	SCREW-WASHER (4X12)
38	94002-08000-0S	NUT, HEX. (8MM)

Catalog Title:  
**GL1500A/SE/ '94 - '95**

Block No.  
**F 14**

Block Title:  
**RR. BRAKE MASTER CYLINDER**

Ref. No.	Part No.	Description
38	94002-08080-0S	NUT, HEX. (8MM)
39	94201-20150	PIN, SPLIT (2.0X15)
40	95701-06012-08	BOLT, FLANGE (6X12)
41	95701-06025-08	BOLT, FLANGE (6X25)



Catalog Title:

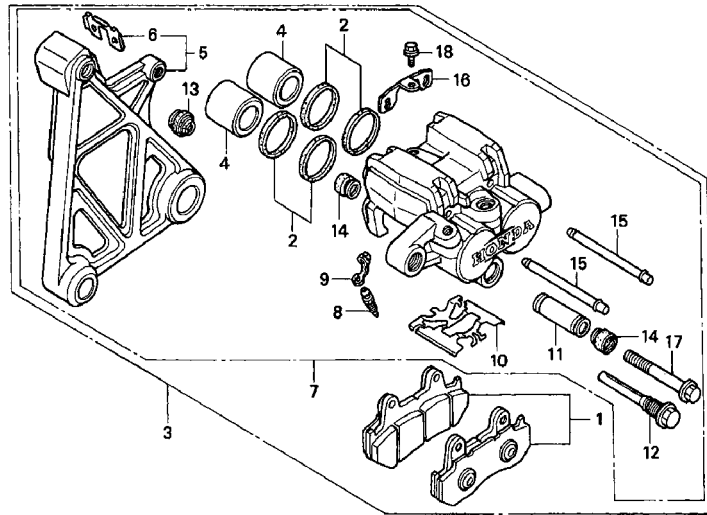
GL1500A/SE/I '94 - '95

Block No.

F 15

Block Title:

REAR BRAKE CALIPER

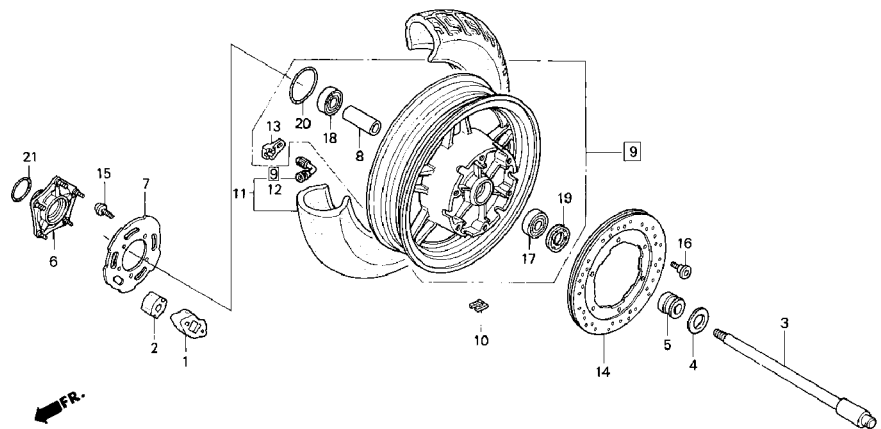


Ref. No.	Part No.	Description
1	06435-MT8-405	PAD SET, RR.
2	06451-MA7-405	SEAL SET, PISTON
3	43100-MT8-008	CALIPER, RR. BRAKE - ALL '94
4	43107-MA7-006	PISTON
5	43110-MT8-006	BRACKET COMP., RR.
6	43112-445-631	RETAINER, RR.
7	43150-MT8-305	CALIPER SUB-ASSY.. - ALL '95
8	43352-568-003	SCREW, BLEEDER
9	43353-461-771	CAP, BLEEDER
10	45108-MA2-006	SPRING, PAD
11	45111-MA3-006	SLEEVE
12	45131-MA3-006	PIN, BOLT
13	45133-MA3-006	BOOT B
14	45133-166-016	BOOT, PIN
15	45215-MA2-006	PIN, HANGER
16	45217-MA3-006	PLATE
17	90180-MA3-006	BOLT, FLANGE (8X49)
18	96001-06010-07	BOLT, FLANGE (6X10)

Catalog Title:  
**GL1500A/SE/ '94 - '95**

Block No.  
**F 16**

Block Title:  
**REAR WHEEL**



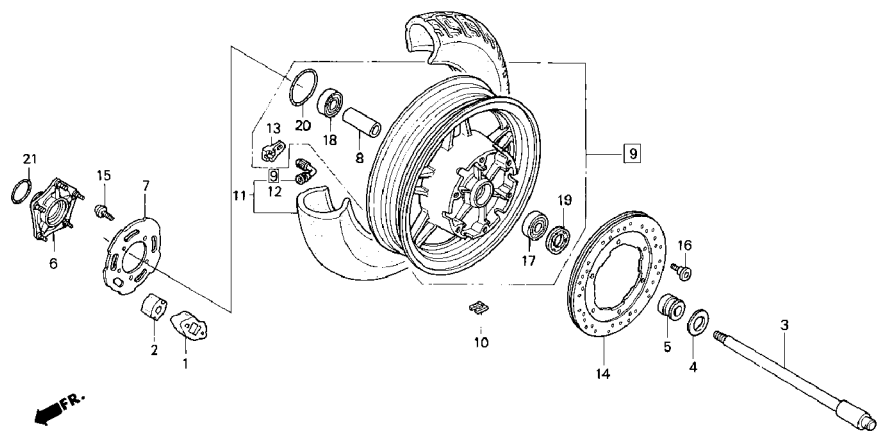
Ref. No.	Part No.	Description
1	41241-MT8-003	DAMPER, RR. WHEEL
2	41242-MR5-000	PIECE, DAMPER WHEEL
3	42301-MN5-000	AXLE, RR. WHEEL
4	42312-463-000	SPACER, RR.
5	42313-422-000	COLLAR, RR.
6	42614-MT8-010	FLANGE, FINAL DRIVEN
6	42630-MT8-305	FLANGE SET
7	42617-MT8-000	HOLDER, DAMPER
8	42620-MW5-000	COLLAR, RR.
9	42650-MW5-305	WHEEL SET, RR.
10	42704-MB0-000	WEIGHT (10G)
10	42705-MB0-000	WEIGHT (20G)
10	42706-MB0-000	WEIGHT (30G)
11	42710-MN5-005	TIRE (160/80-16)
11	42711-MN5-005	TIRE (160/80-16 75H)
11	42711-MN5-015	TIRE (160/80-16 75H)
12	42753-MN5-004	VALVE, RIM
13	42754-MN5-000	HOLD, RIM VALVE
14	43251-MT8-000	DISK, RR. BRAKE
15	90105-KN5-000	BOLT, DISK (6X17)
16	90105-KR3-000	BOLT, FR. (8X24)
17	91052-MAE-004	BEARING (6204UU)
18	91053-MN5-003	BEARING (20X47X20.6)

Catalog Title:  
**GL1500A/SE/ '94 - '95**

Block No.  
**F 16**

Block Title:  
**REAR WHEEL**

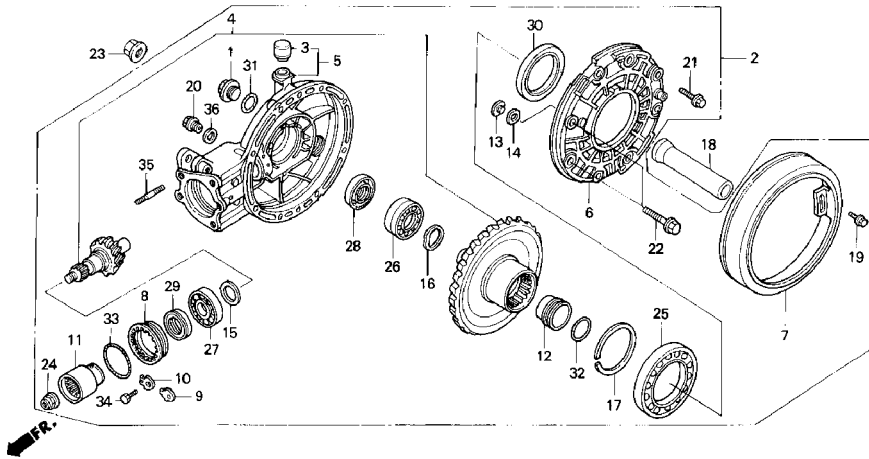
Ref. No.	Part No.	Description
19	91253-443-761	DUST SEAL (30X47X8)
19	91253-443-762	DUST SEAL (30X47X8)
20	91302-MA6-003	O-RING (61X2)
21	91358-MG9-003	O-RING (50.5X3.5)



Catalog Title:  
**GL1500A/SE/ '94 - '95**

Block No.  
**F 17**

Block Title:  
**FINAL DRIVEN GEAR**

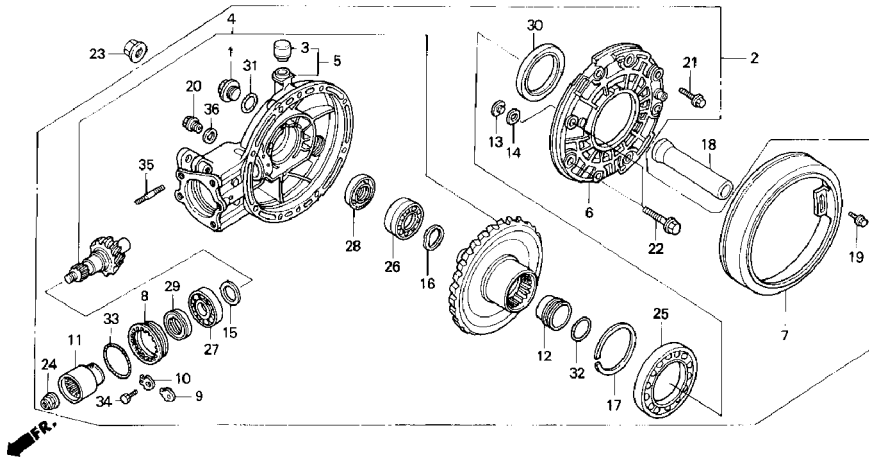


Ref. No.	Part No.	Description
1	12361-035-000	CAP, VALVE ADJ.
1	12361-300-000	CAP, VALVE ADJ.
1	12361-371-980	CAP, VALVE ADJ.
2	41300-MZ3-000	GEAR ASSY., FINAL
3	41306-MB0-010	CAP, BREATHER
4	41310-MN5-305	GEAR SET, FINAL
5	41311-MN5-305	CASE SET, FINAL
6	41321-MN5-000	COVER, GEAR CASE
7	41324-MT8-010	PLATE, DUST GUARD
8	41331-MN5-000	RETAINER, BEARING
9	41332-415-000	LOCK A, BEARING ADJ.
10	41333-415-000	LOCK B, BEARING ADJ.
11	41410-MN5-000	JOINT, PINION
12	41433-MG9-000	HOLDER, O-RING
13	41436-MB0-310	PIN
14	41437-MB0-310	SHIM A (0.10)
14	41438-MB0-310	SHIM B (0.15)
15	41450-MG9-000	SHIM A (1.32)
15	41451-MG9-000	SHIM B (1.38)
15	41452-MG9-000	SHIM C (1.44)
15	41453-MG9-000	SHIM D (1.50)
15	41454-MG9-000	SHIM E (1.56)
15	41455-MG9-000	SHIM F (1.62)
15	41456-MG9-000	SHIM G (1.68)
16	41510-MB0-003	WASHER (35X40)

Catalog Title:  
**GL1500A/SE/ '94 - '95**

Block No.  
**F 17**

Block Title:  
**FINAL DRIVEN GEAR**



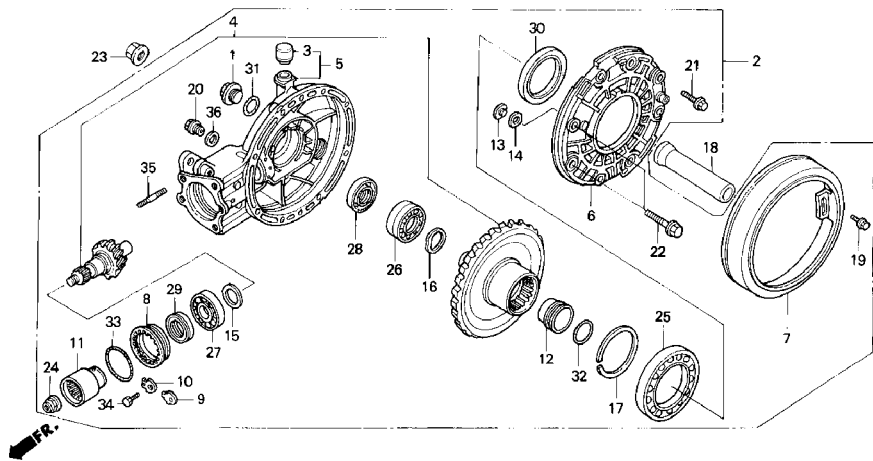
Ref. No.	Part No.	Description
17	41530-MG9-000	SPACER A (1.82)
17	41531-MG9-000	SPACER B (1.88)
17	41532-MG9-000	SPACER C (1.94)
17	41533-MG9-000	SPACER D (2.00)
17	41534-MG9-000	SPACER E (2.06)
17	41535-MG9-000	SPACER F (2.12)
17	41536-MG9-000	SPACER G (2.18)
17	41537-MG9-000	SPACER H (2.24)
17	41538-MG9-000	SPACER I (2.30)
18	42625-MW5-000	COLLAR B, RR.
19	90013-883-000	BOLT (6X12) (CT200)
20	90081-MC7-000	BOLT, PLUG (14MM)
21	90133-MB0-000	BOLT, FLANGE (8X27)
22	90134-HA0-000	BOLT, FLANGE (10X35)
23	90306-MN5-003	NUT, FLANGE (18MM)
24	90381-MT3-000	NUT, HEX. (16MM)
25	91051-MN5-003	BEARING (65X100X11)
26	91052-MN5-003	BEARING (35X62X18)
27	91061-MT3-003	BEARING (QJ3/28V1)
28	91261-MY3-003	OIL SEAL (35X54X8)
29	91262-MY3-003	OIL SEAL (39X56X7)
30	91265-MY3-003	OIL SEAL (65X85X7)
31	91302-001-020	O-RING (30.8MM)
32	91356-MG9-003	O-RING (39.5X2.4)
32	91356-MG9-004	O-RING (39.5X2.4)

Catalog Title:  
**GL1500A/SE/ '94 - '95**

Block No.  
**F 17**

Block Title:  
**FINAL DRIVEN GEAR**

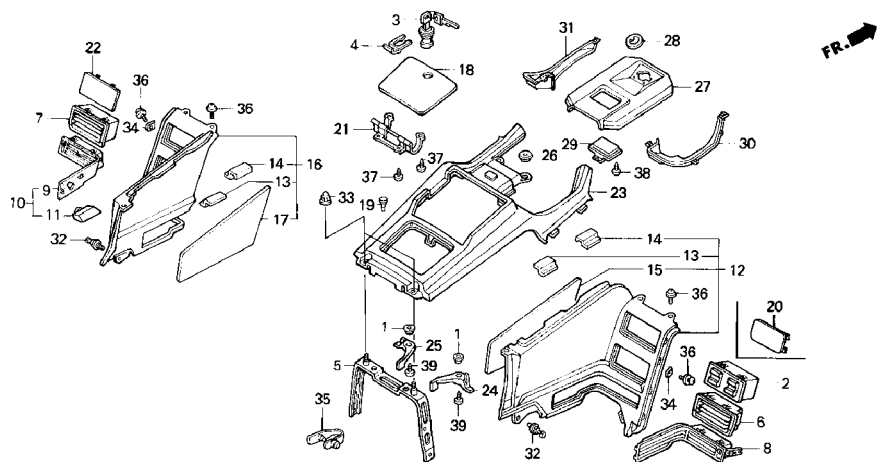
Ref. No.	Part No.	Description
33	91359-MG9-003	O-RING (64.5X3.5)
34	92101-06012-0A	BOLT, HEX. (6X12)
35	92900-10032-0E	BOLT, STUD (10X32)
36	94109-14000	WASHER (14MM)



Catalog Title:  
**GL1500A/SE/ '94 - '95**

Block No.  
**F 18**

Block Title:  
**SHELTER**

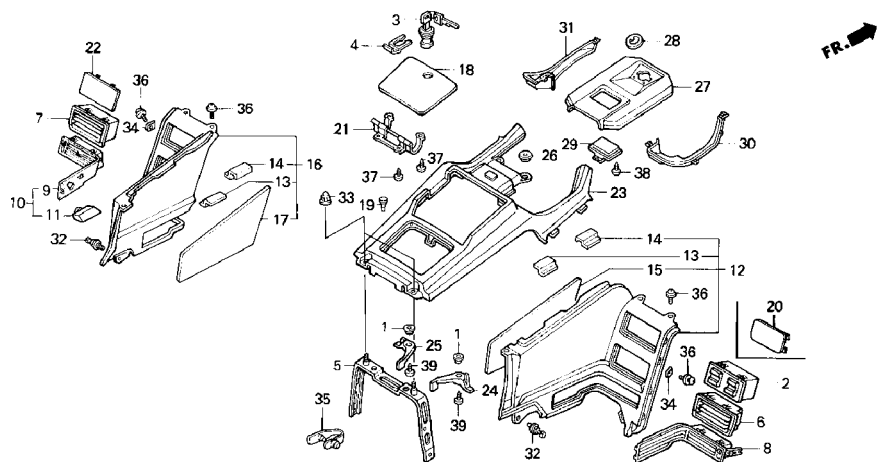


Ref. No.	Part No.	Description
1	33712-GC2-000	COLLAR A, TAILLIGHT
2	35800-MN5-010	SWITCH ASSY. - A/SE '94'95
3	37220-439-007	LOCK, FILLER LID
4	37222-463-000	SPRING
5	50250-MN5-000	BRACKET
6	64445-MN5-000	OUTLET, R. FRESH AIR
7	64455-MN5-000	OUTLET, L. FRESH AIR
8	64470-MN5-000	OUTLET, R. HOT AIR
9	64475-MN5-000	OUTLET, L. HOT AIR - A/SE '94'95
10	64475-MW5-870	OUTLET, L. HOT AIR - I'94'95
11	64478-MW5-870	CAP B, AIR PANEL - I'94'95
12	83110-MN5-000ZJ	SHELTER, R. *NH1Z* - A'94
12	83110-MN5-000ZM	SHELTER, R. *R176C* - A'94
12	83110-MN5-000ZS	SHELTER, R. *B142P* - A'94
12	83110-MAM-000ZD	SHELTER, R. *R176C* - A'94'95
12	83110-MAM-000ZB	SHELTER, R. *G156P* - A'95
12	83110-MAM-000ZC	SHELTER, R. *RP151P* - A'95
12	83110-MW5-870ZD	SHELTER, R. *NH1Z* - I'94
12	83110-MW5-870ZE	SHELTER, R. *B142P* - I'94
12	83110-MW5-870ZB	SHELTER, R. *R176C* - I'94'95
12	83110-MW5-870ZF	SHELTER, R. *G156P* - I'95
12	83210-MAF-770ZF	SHELTER SET *BG101P* - SE'94
12	83210-MAF-770ZG	SHELTER SET *B142P* - SE'94
12	83210-MAF-770ZH	SHELTER SET *R176C* - SE'94
12	83110-MN5-000ZQ	SHELTER, R. *NH326P* - SE'94'95

Catalog Title:  
**GL1500A/SE/I '94 - '95**

Block No.  
**F 18**

Block Title:  
**SHELTER**

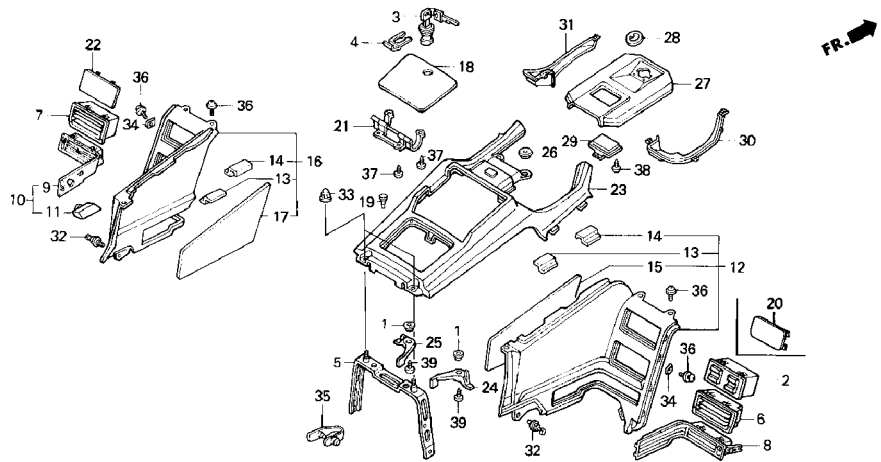


Ref. No.	Part No.	Description
12	83210-MAM-A70ZD	SHELTER SET *R176C* - SE'95
12	83210-MAM-A70ZE	SHELTER SET *NH253M* - SE'95
12	83210-MAM-D80ZE	SHELTER SET *R176C* - SE'95
12	83210-MAM-L70ZE	SHELTER SET *R176K* - SE'95
12	83210-MAM-770ZE	SHELTER SET *R176C* - SE'95
12	83210-MAM-770ZF	SHELTER SET *RP151P* - SE'95
12	83210-MAM-770ZG	SHELTER SET *G156P* - SE'95
13	83112-MN5-310	RUBBER, TOP SHELTER
14	83113-MN5-300	RUBBER B
15	83115-MN5-300	MAT, R. SIDE SHELTER A/SE'94, SE'95
15	83115-MAM-300	MAT, R. SIDE SHELTER A'95
16	83120-MN5-000ZJ	SHELTER, L. *NH1Z* - A'94
16	83120-MN5-000ZM	SHELTER, L. *R176C* - A'94
16	83120-MN5-000ZS	SHELTER, L. *B142P* - A'94
16	83120-MAM-000ZD	SHELTER, L. *R176C* - A'94'95
16	83120-MAM-000ZB	SHELTER, L. *G156P* - A'95
16	83120-MAM-000ZC	SHELTER, L. *RP151P* - A'95
16	83120-MW5-870ZD	SHELTER, L. *NH1Z* - I'94
16	83120-MW5-870ZE	SHELTER, L. *B142P* - I'94
16	83120-MW5-870ZB	SHELTER, L. *R176C* - I'94'95
16	83120-MW5-870ZF	SHELTER, L. *G156P* - I'95
16	83220-MAF-770ZF	SHELTER SET *BG101P* - SE'94
16	83220-MAF-770ZG	SHELTER SET *B142P* - SE'94
16	83220-MAF-770ZH	SHELTER SET *R176C* - SE'94
16	83120-MN5-000ZQ	SHELTER, L. *NH326P* - SE'94'95

Catalog Title:  
**GL1500A/SE/I '94 - '95**

Block No.  
**F 18**

Block Title:  
**SHELTER**

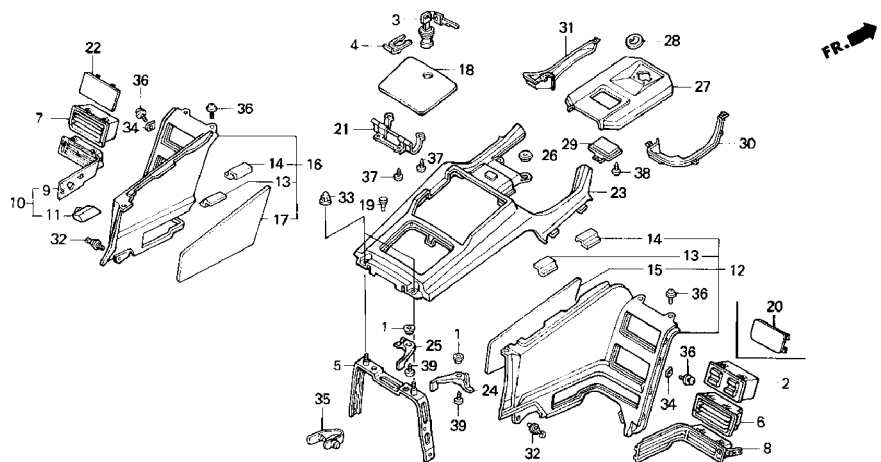


Ref. No.	Part No.	Description
16	83220-MAM-A70ZD	SHELTER SET *R176C* - SE'95
16	83220-MAM-D80ZE	SHELTER SET *R176C* - SE'95
16	83220-MAM-L70ZE	SHELTER SET *R176K* - SE'95
16	83220-MAM-770ZE	SHELTER SET *R176C* - SE'95
16	83220-MAM-770ZF	SHELTER SET *RP151P* - SE'95
16	83220-MAM-770ZG	SHELTER SET *G156P* - SE'95
17	83125-MN5-300	MAT, L. SIDE SHELTER A/SE '94, SE'95
17	83125-MAM-300	MAT, L. SIDE SHELTER A'95
18	83131-MAF-000ZB	LID *NH159L* (TYPE1)
18	83131-MAF-000ZD	LID *R200* (TYPE7)
19	83132-MN5-000	RUBBER, SHELTER LID
20	83139-MW5-870ZD	PNL, R. BLIND *NH1Z* - I'94
20	83139-MW5-870ZE	PANEL, R. *B142P* - I'94
20	83139-MW5-870ZB	PANEL, R. *R176C* - I'94'95
20	83139-MW5-870ZF	PANEL, R. *G156P* I'95
21	83140-MN5-000	HINGE, SHELTER LID
22	83149-MN5-000ZJ	PNL, L. BLIND *NH1Z* - A/I '94
22	83149-MN5-000ZT	PANEL, L. *B142P* - A/I '94
22	83149-MN5-000ZN	PANEL, L. *R176C* - A/I '94'95
22	83149-MN5-000ZW	PANEL, L. *RP151P* - A'95
22	83149-MN5-000ZV	PANEL, L. *G156P* - A/I '95
23	83150-MAF-000ZA	SHELTER *NH159L*
23	83150-MAF-000ZE	SHELTER, TOP *R200*
24	83151-MN5-000	LOCK, R. TOP SHELTER
25	83152-MN5-000	LOCK, L. TOP SHELTER

Catalog Title:  
**GL1500A/SE/ '94 - '95**

Block No.  
**F 18**

Block Title:  
**SHELTER**

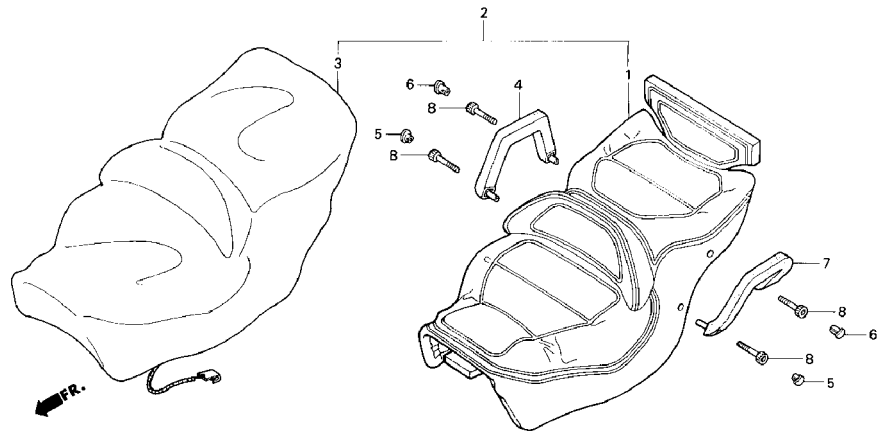


Ref. No.	Part No.	Description
26	83156-MN5-000	GROMMET, TOP SHELTER
27	83160-MN5-000ZA	CVR *NH159L* (TYPE1)
27	83160-MN5-000ZG	COVER *R200* (TYPE7)
28	83161-MN5-000ZA	GROMMET *NH159L*
28	83161-MN5-000ZH	GROMMET *R200*
29	83162-MT2-000	EMBLEM - ALL '94
29	83162-MAM-670	EMBLEM - A'95
29	83162-MAM-740	EMBLEM - A'95
29	83162-MAM-870	EMBLEM - I'95
29	83162-MAM-880	EMBLEM - I'95
29	83162-MAM-770	EMBLEM - SE'95
29	83162-MAM-790	EMBLEM SE'95
30	83165-MN5-000	COVER, R. FR.
31	83166-MN5-000	COVER, L. FR.
32	90101-MN5-003	BOLT
33	90201-428-900	NUT, CAP (6MM)
33	90308-MT8-000	NUT, CAP (6MM)
34	90305-MN5-000	NUT, PLATE (5MM)
35	90676-HC0-000	BAND, WIRE
36	93894-05014-08	SCREW-WASHER (5X14)
37	93903-24380	SCREW, TAP (4X12)
38	93903-25280	SCREW, TAP (5X12)
39	93903-25480	SCREW, TAP (5X20)

Catalog Title:  
**GL1500A/SE/I '94 - '95**

Block No.  
**F 19**

Block Title:  
**SEAT**

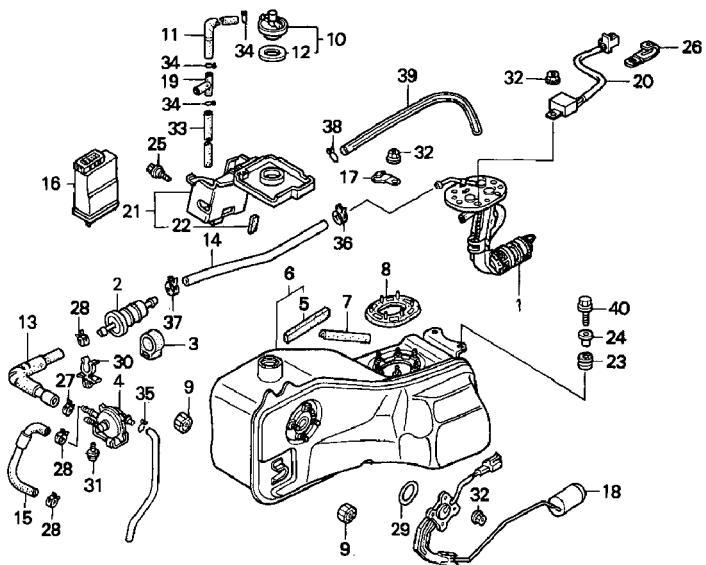


Ref. No.	Part No.	Description
1	77200-MT8-000ZC	SEAT COMP. *NH159L* '94
1	77200-MT8-000ZE	SEAT, DOUBLE (TYPE8)- A'94
1	77200-MAM-000ZA	SEAT COMP. *NH159L* - A/I'95
1	77200-MAM-000ZB	SEAT *R200* (TYPE8) - A/I'95
1	77200-MW5-870ZB	SEAT COMP. *NH159L* '94I
1	77200-MW5-870ZD	SEAT *R129L* (TYPE8) '94I
2	77200-MY4-770ZC	SEAT COMP. *NH159L* - SE'94
2	77200-MY4-770ZF	SEAT, DOUBLE (TYPE8) - SE'94
2	77200-MAM-770ZA	SEAT COMP. *NH159L* - SE'95
2	77200-MAM-770ZB	SEAT *R200* (TYPE8) - SE'95
2	77200-MAM-771ZA	SEAT, DOUBLE (TYPE1) - SE'95
2	77200-MAM-771ZB	SEAT, DOUBLE (TYPE8) - SE'95
3	77650-MT8-770	COVER COMP., SEAT- SE'94'95
4	84110-MN5-000ZA	GRIP, R. *NH159L*
4	84110-MN5-000ZH	GRIP *R200* (TYPE7)
5	84111-MT2-000ZA	GROMMET *NH159L* A/SE '94 '95
5	84111-MT2-000ZL	GROMMET, FR. *R200*A/SE '94 '95
6	84112-MT2-000ZA	GROMMET *NH159L*A/SE '94 '95
6	84112-MT2-000ZL	GROMMET, RR. *R200*A/SE '94 '95
7	84120-MN5-000ZA	GRIP, L. *NH159L*
7	84120-MN5-000ZH	GRIP *R200* (TYPE7)
8	90010-MW5-000	BOLT, SOCKET (8X50)

Catalog Title:  
**GL1500A/SE/ '94 - '95**

Block No.  
**F 20**

Block Title:  
**FUEL TANK**

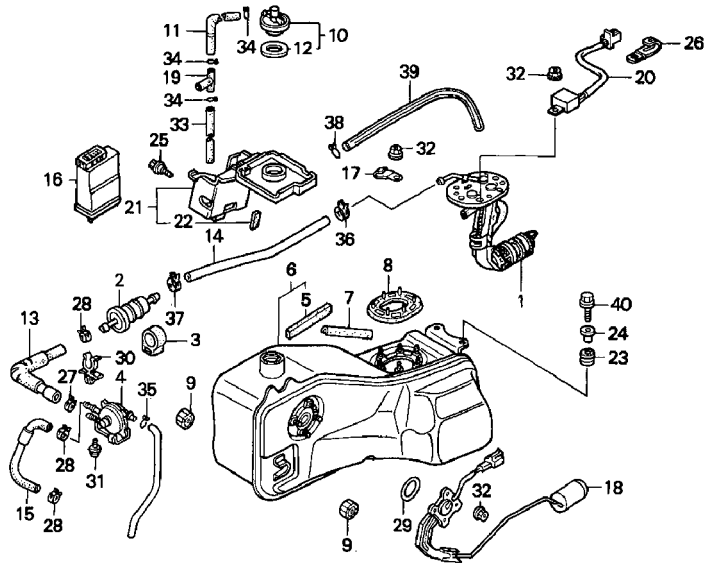


Ref. No.	Part No.	Description
1	16700-MAF-000	PUMP ASSY., FUEL - A/SE '94'95
1	16700-MAF-870	PUMP ASSY., FUEL - I'94'95
2	16900-MG8-003	FILTER COMP., FUEL
3	16905-MG7-000	RUBBER
4	16970-MN5-003	PETCOCK ASSY.
5	17509-MN5-000	RUBBER, BATTERY TRAY
6	17510-MZ3-000	TANK COMP., FUEL
7	17516-MK7-000	TRIM, FUEL TANK
8	17574-MN5-000	GASKET, BASE
9	17611-MG2-000	CUSHION, FR.
9	17611-429-000	RUBBER, FR.
10	17670-MW5-741	CAP, FUEL FILLER
11	17681-MY4-000	HOSE, FUEL (4.5X730)
12	17682-679-013	GASKET
13	17704-MN5-010	TUBE, L. FUEL
14	17707-MN5-000	TUBE A, FUEL
15	17708-MT2-000	TUBE, FUEL
16	30410-MZ3-013	CONTROL UNIT, ENGINE - A/I '94'95
16	30410-MZ3-772	CONTROL UNIT, ENGINE - SE'94'95
17	32111-426-000	CLAMP, CABLE - A/I '94'95
17	32111-460-780	CLAMP - A/I '94'95
18	37800-MT8-008	FUEL UNIT
19	36010-PA6-004	JOINT, THREE-WAY
19	38773-PB9-000	JOINT (3.5)
20	39270-MZ3-771	FILTER, FUEL PUMP - SE'94'95

Catalog Title:  
**GL1500A/SE/ '94 - '95**

Block No.  
**F 20**

Block Title:  
**FUEL TANK**



Ref. No.	Part No.	Description
21	83502-MT8-000	TRAY, FUEL FILLER
22	84102-ML7-000	RUBBER, SPART UNIT
23	84703-MN5-000	RUBBER
24	90001-438-850	COLLAR A
25	90106-MY4-930	BOLT, SPECIAL (6MM)
26	90601-KJ9-000	CLIP (4X50) - SE'94'95
27	90678-MN5-000	CLIP, FUEL HOSE
28	90682-SA0-671	CLAMP, CANISTER HOSE
29	91305-MC7-000	O-RING (39.5X5)
30	91405-750-800	CLIP A, FUEL HOSE
31	93893-05010-08	SCREW-WASHER (5X10)
32	94050-06080	NUT, FLANGE (6MM)
33	95001-45008-40M	BULK HOSE (4.5X8000)
34	95002-02080	CLIP, TUBE (B8)
35	95002-02650	CLIP, TUBE (B6.5)
36	95002-41200-08	CLIP, TUBE (D12)
37	95002-41300-08	CLIP, TUBE (D13)
38	95002-80000	CLIP, TUBE (C12)
39	95003-23008-60M	BULK HOSE, VINYL
39	95003-23001-60M	BULK HOSE, VINYL

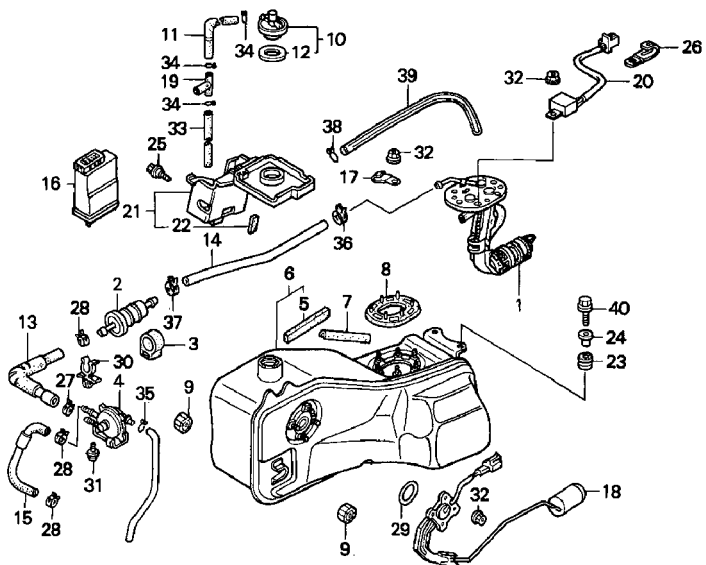
Catalog Title:  
**GL1500A/SE/ '94 - '95**

Block No.  
**F 20**

Block Title:  
**FUEL TANK**

Ref. No.	Part No.	Description
----------	----------	-------------

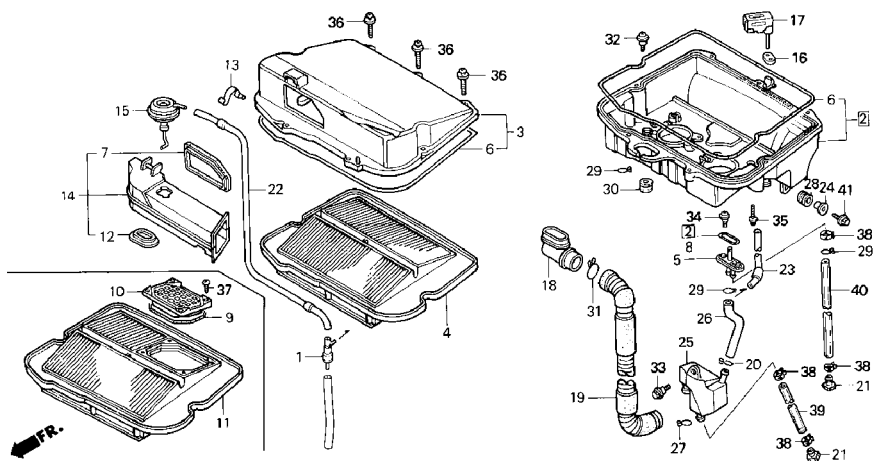
40	95701-06025-08	BOLT, FLANGE (6X25)
----	----------------	---------------------



Catalog Title:  
**GL1500A/SE/ '94 - '95**

Block No.  
**F 21**

Block Title:  
**AIR CLEANER**

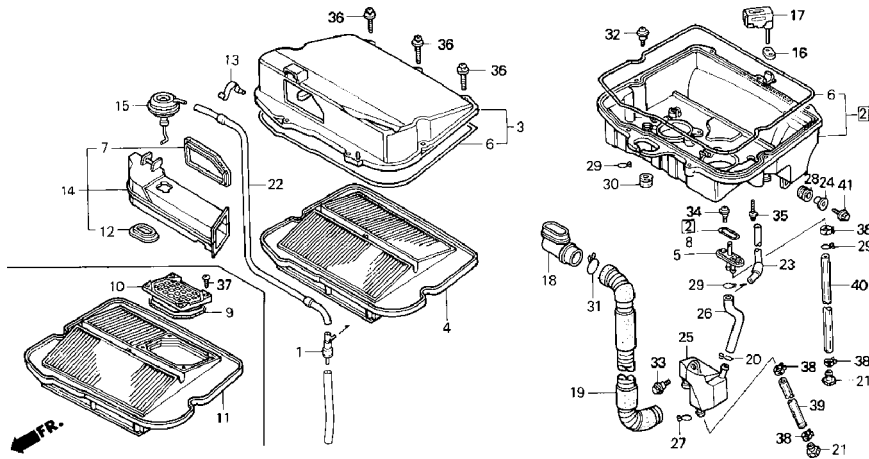


Ref. No.	Part No.	Description
1	17155-MN5-003	VALVE, CHECK
2	17200-MT8-000	HOUSING, AIR CLEANER
3	17201-MY4-000	COVER, AIR CLEANER
4	17205-MN5-003	ELEMENT, AIR CLEANER
5	17211-MT2-000	JOINT
6	17213-MN5-300	SEAL, A/CLNR HSG
7	17214-MN5-010	SEAL
8	17214-MT2-300	SEAL
9	17216-MN5-741	GASKET
10	17217-MN5-741	ELEMENT, CHARCOAL
11	17218-MN5-741	FILTER COMP.
12	17219-MN5-000	SEAL, HOT AIR
13	17223-HB3-003	SPRING
14	17225-MN5-010	INLET, AIR CLEANER
15	17245-MN5-004	DIAPHRAGM
16	17247-PA0-000	INSULATOR, SENSOR
17	17250-MN5-003	SENSOR, IN. AIR
18	17270-MN5-000	JOINT
19	17301-MN5-013	PIPE, HOT AIR
20	17369-KB4-670	CLIP, BREATHER TUBE
21	17370-419-700	PLUG, BREATHER TUBE
22	17459-MT2-000	TUBE (3.5X235) (2)
23	17460-MT2-000	TUBE (PINK 3)
24	17535-166-000	COLLAR, FR.
25	17551-MN5-000	TANK, STORAGE

Catalog Title:  
**GL1500A/SE/ '94 - '95**

Block No.  
**F 21**

Block Title:  
**AIR CLEANER**

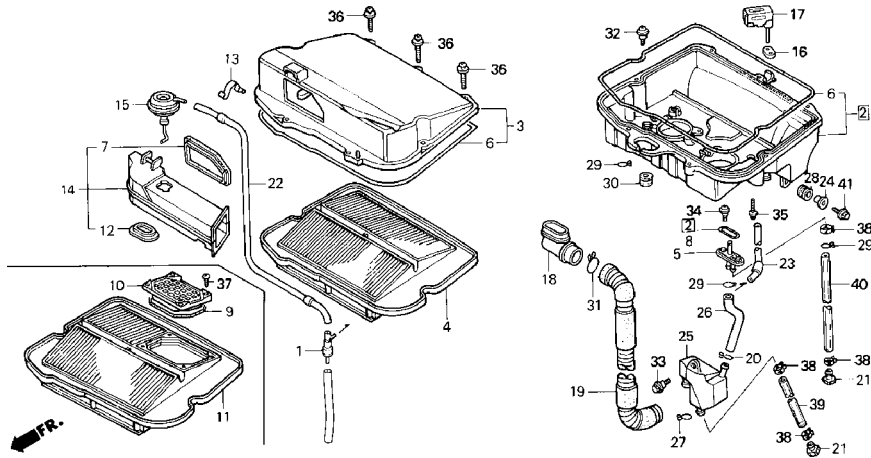


Ref. No.	Part No.	Description
26	17552-MN5-000	TUBE A, BREATHER
27	17554-MB0-000	CLIP, BREATHER TUBE
28	17611-MB1-000	RUBBER, FR.
29	17724-102-700	CLIP, SUB-TANK HOSE
30	19053-MB2-000	GROMMET, RADIATOR
31	55110-196-000	CLIP, OIL HOSE
32	90102-GB2-720	SCREW, PAN (5X16)
33	90111-162-000	BOLT, FLANGE (6MM)
34	90117-MN5-000	SCREW, PAN (5X13)
35	93500-04016-0G	SCREW, PAN (4X16)
36	93891-05016-07	SCREW-WASHER (5X16)
37	93903-35380	SCREW, TAP (5X16)
38	95002-41200-08	CLIP, TUBE (D12)
39	95003-23008-60M	BULK HOSE, VINYL
39	95003-23001-60M	BULK HOSE, VINYL

Catalog Title:  
**GL1500A/SE/ '94 - '95**

Block No.  
**F 21**

Block Title:  
**AIR CLEANER**



Ref. No.	Part No.	Description
40	95003-23008-60M	BULK HOSE, VINYL
40	95003-23001-60M	BULK HOSE, VINYL
41	95701-06020-08	BOLT, FLANGE (6X20)

Catalog Title:

GL1500A/SE/I '94 - '95

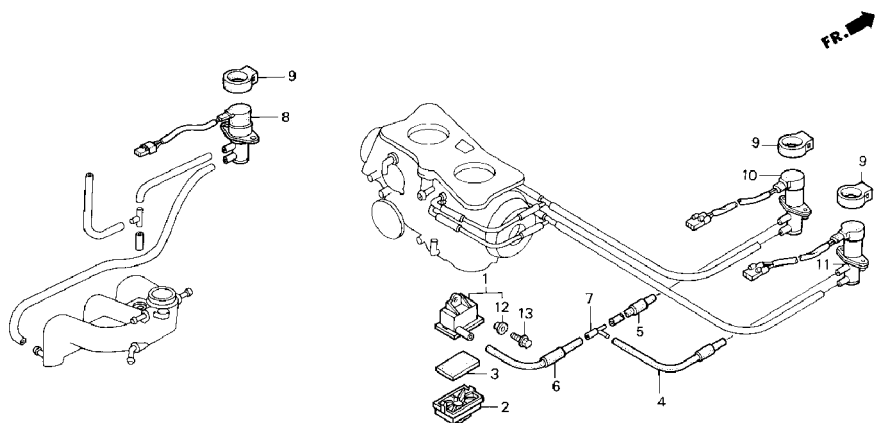
Block No.

F 22

Block Title:

PAIR SOLENOID VALVE

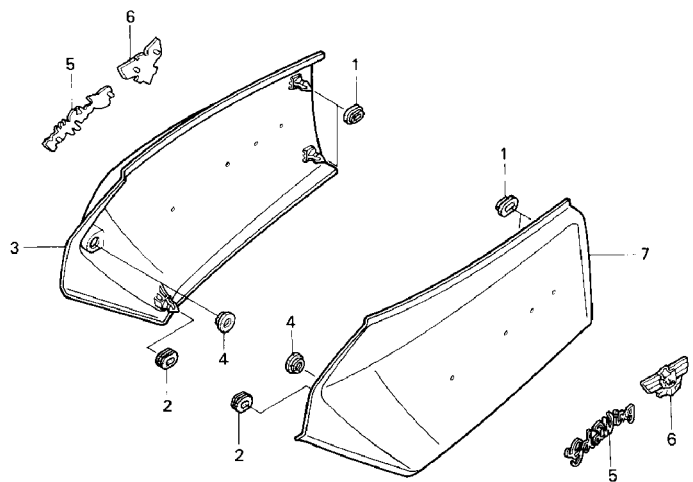
Ref. No.	Part No.	Description
1	17251-MN5-000	CASE, SUB A/CLNR
2	17252-KT8-000	COVER, SUB A/CLNR
3	17253-KT8-000	FILTER, SUB A/CLNR
4	17463-MN5-000	TUBE (5.5X90) (20)
5	17464-MN5-000	TUBE (5.5X80) (21)
6	17465-MN5-000	TUBE (8X310) (22)
7	17474-MN5-000	JOINT, THREE-WAY
8	36167-MT8-013	VALVE COMP.
9	36172-MN5-003	SUSPENSION
10	36193-MN5-003	VALVE COMP. (2)
11	36197-MN5-003	VALVE COMP. (3)
12	90522-028-000	WASHER
13	95701-06012-08	BOLT, FLANGE (6X12)



Catalog Title:  
**GL1500A/SE/ '94 - '95**

Block No.  
**F 23**

Block Title:  
**SIDE COVER**

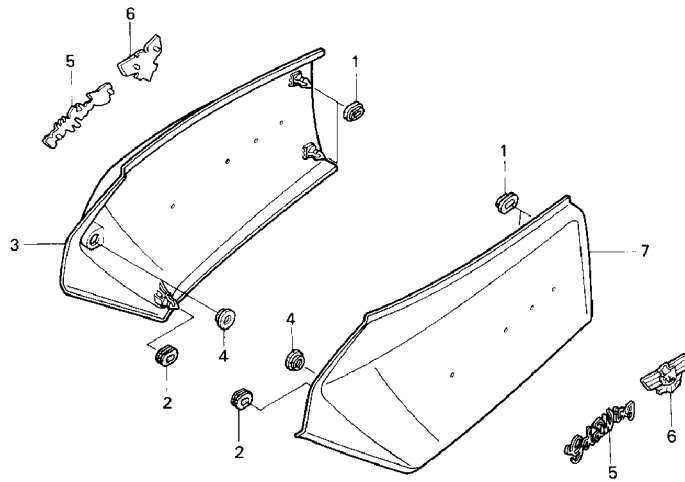


Ref. No.	Part No.	Description
1	83551-MA6-000	GROMMET, SIDE COVER
2	83551-300-000	GROMMET, A/CLNR HSG
3	83600-MN5-000ZJ	CVR, R. SIDE *NH1Z* - A/I '94
3	83600-MN5-000ZN	CVR, R. SIDE *R176C* - A/I '94
3	83600-MN5-000ZT	CVR, R. SIDE *B142P* - A/I '94
3	83600-MAM-000ZC	COVER, R. *RP151P* - A'95
3	83600-MAM-000ZA	CVR, R. SIDE *G156P* - A/I '95
3	83600-MAM-000ZB	CVR, R. SIDE *R176C* - A/I '95
3	83600-MN5-000ZQ	COVER, R. *NH326P* -SE'94
3	83610-MAF-770ZE	CVR *BG101P* (TYPE5) -SE'94
3	83610-MAF-770ZF	CVR *B142P* (TYPE6) -SE'94
3	83610-MAF-770ZG	CVR *R176C* (TYPE7) -SE'94
3	83600-MAM-000ZD	COVER, R. *NH326P* -SE'95
3	83610-MAM-A70ZE	CVR *RP151P* (TYPE8) -SE'95
3	83610-MAM-770ZE	CVR *R176C* (TYPE7) -SE'95
3	83610-MAM-770ZF	CVR *RP151P* (TYPE8) -SE'95
3	83610-MAM-770ZG	CVR *G156P* (TYPE9) -SE'95
4	83601-MN5-000	GROMMET, SIDE COVER
5	83605-MT8-000	EMBLEM A, SIDE COVER- A/I '94'95
5	83605-MAF-770ZD	EMBLEM A (TYPE8) -SE'94
5	83605-MAF-770ZE	EMBLEM A (TYPE9) -SE'94
5	83605-MAF-770ZA	EMBLEM A (TYPE10) -SE'95'94
5	83605-MAF-770ZB	EMBLEM A (TYPE6) -SE'95 '94
6	83606-MT8-000	EMBLEM B, SIDE COVER- A/I'94'95
6	83606-MT8-770	EMBLEM B, SIDE COVER - SE'94'95

Catalog Title:  
**GL1500A/SE/I '94 - '95**

Block No.  
**F 23**

Block Title:  
**SIDE COVER**

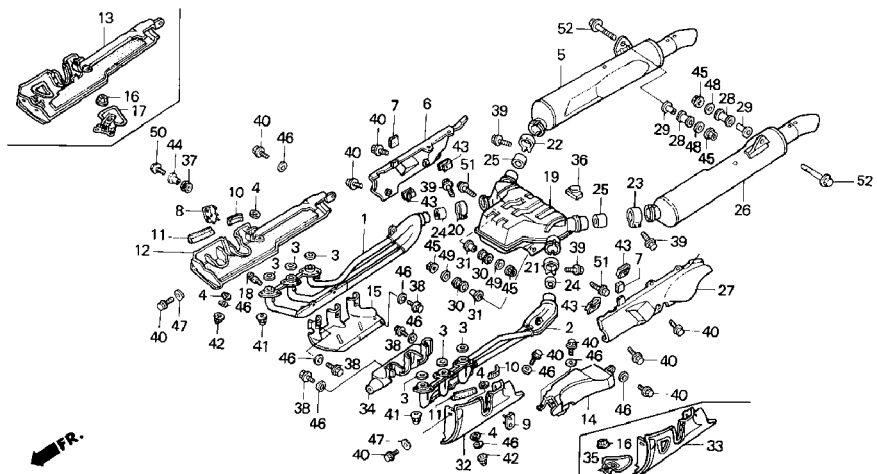


Ref. No.	Part No.	Description
7	83700-MN5-000ZJ	CVR, L. SIDE *NH1Z* - A/I'94
7	83700-MN5-000ZN	CVR, L. SIDE *R176C - A/I'94
7	83700-MN5-000ZT	CVR, L. SIDE *B142P* - A/I'94
7	83700-MAM-000ZC	COVER, L. *RP151P* - A'95
7	83700-MAM-000ZA	CVR, L. SIDE *G156P* - A/I'95
7	83700-MAM-000ZB	CVR, L. SIDE *R176C* - A/I'95
7	83700-MN5-000ZQ	COVER, L. *NH326P* - SE'94
7	83710-MAF-770ZE	CVR *BG101P* (TYPE5) - SE'94
7	83710-MAF-770ZF	CVR *B142P* (TYPE6) - SE'94
7	83710-MAF-770ZG	CVR *R176C* (TYPE7) - SE'94
7	83700-MAM-000ZD	COVER, L. *NH326P* - SE'95
7	83710-MAM-A70ZD	CVR, L. SIDE *R176C* - SE'95
7	83710-MAM-A70ZH	CVR *RP151P* (TYPE8) - SE'95
7	83710-MAM-D80ZE	CVR *R176C* (TYPE7) - SE'95
7	83710-MAM-770ZE	CVR, L. SIDE (TYPE7) - SE'95
7	83710-MAM-770ZF	CVR, L. SIDE (TYPE8) - SE'95
7	83710-MAM-770ZG	CVR *G156P* (TYPE9) - SE'95

Catalog Title:  
**GL1500A/SE/ '94 - '95**

Block No.  
**F 24**

Block Title:  
**MUFFLER**

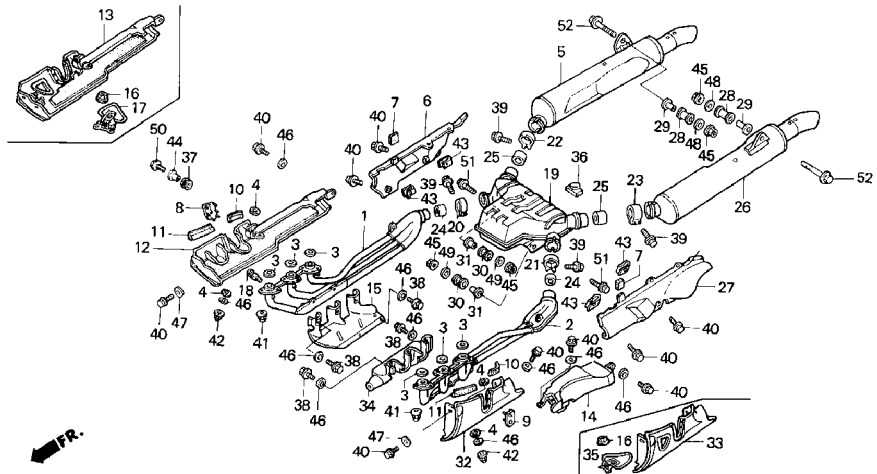


Ref. No.	Part No.	Description
1	18150-MT8-000	PIPE COMP., R. EX. - ALL '94
1	18150-MAM-003	PIPE COMP., R. EX. - ALL '95
2	18250-MAM-003	PIPE COMP., L. EX.
3	18291-MN5-650	GASKET, EX. PIPE
4	18293-MN5-650	GASKET, PROTECTOR
5	18310-MW5-000	MUFFLER COMP., R.
6	18315-MW5-870ZB	PROTECTOR, R. *NH1Z* - A/I'94
6	18315-MW5-870ZL	PROTECTOR *B142P* - ALL '94
6	18315-MW5-870ZK	PROTECTOR *R199C*
6	18315-MW5-870ZQ	PROTECTOR *RP151P* A/I '95
6	18315-MW5-870ZR	PROTECTOR *G156P* - ALL '95
6	18315-MW5-870ZM	PROTECTOR *BG101P* - SE'94
6	18315-MW5-870YD	PROTR, R. *NH253M* - SE'94'95
6	18315-MW5-870ZP	PROTECTOR *NH253M* -SE'94'95
7	18316-MN5-000	GROMMET
8	18321-MN5-000	RUBBER, R.
9	18322-MN5-000	RUBBER, L.
10	18323-MN5-000	RUBBER A, SEAL
11	18324-MN5-000	RUBBER B, SEAL
12	18325-MN5-023ZF	PROTECTOR, R. *NH1Z* - A/I'94
12	18325-MW5-000ZA	PROTECTOR, R. *NH1Z* - A/I'94
12	18325-MW5-000ZF	PROTECTOR *B142P* - A/I'94
12	18325-MW5-000ZE	PROTECTOR *R199C* - A/I'94'95
12	18325-MW5-000ZG	PROTECTOR *RP151P* - A'95

Catalog Title:  
**GL1500A/SE/ '94 - '95**

Block No.  
**F 24**

Block Title:  
**MUFFLER**

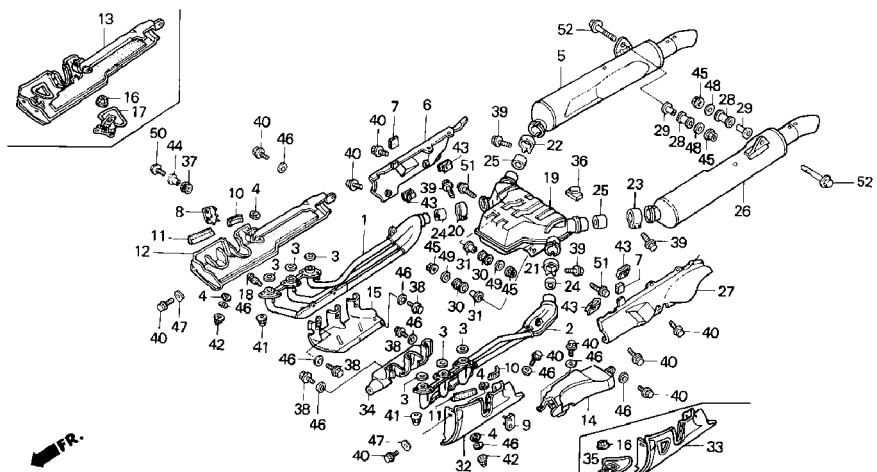


Ref. No.	Part No.	Description
12	18325-MW5-000ZH	PROTECTOR *G156P* - A/I'95
13	18325-MW5-770ZK	PROTECTOR *B142P* - SE'94
13	18325-MW5-770ZL	PROTECTOR *BG101P* - SE'94
13	18325-MW5-770YC	PROTR, R. *NH253M* - SE'94'95
13	18325-MW5-770ZJ	PROTECTOR *R199C* - SE'94'95
13	18325-MW5-770ZN	PROTECTOR *NH253M* - SE'94'95
13	18325-MW5-770ZP	PROTECTOR *RP151P* - SE'95
13	18325-MW5-770ZQ	PROTECTOR *G156P* - SE'95
14	18326-MN5-000ZJ	PROTECTOR, L. *NH1Z* - A/I '94
14	18326-MN5-000ZV	PROTECTOR *B142P* - ALL '94
14	18326-MN5-000ZU	PROTECTOR *R199C*
14	18326-MN5-000ZY	PROTECTOR *RP151P* - A/SE '95
14	18326-MN5-000YA	PROTECTOR *G156P* - ALL'95
14	18326-MN5-000ZW	PROTECTOR *BG101P* - SE'94
14	18326-MN5-000ZH	PROTECTOR *NH253M* - SE'94'95
15	18327-MT8-000	CHAMBER, R. HOT AIR
16	18334-MT8-770	NUT, FLANGE (5MM) - SE'94'95
17	18335-MW5-770ZM	LID *B142P* (TYPE17) - SE'94
17	18335-MW5-770ZN	LID COMP. *BG101P* - SE'94
17	18335-MW5-770ZL	LID, R. *R199C* - SE'94'95
17	18335-MW5-770ZQ	LID *NH253M* (TYPE8) - SE'94'95
17	18335-MW5-770ZR	LID COMP. *RP151P* - SE'95
17	18335-MW5-770ZS	LID *G156P* (TYPE21) - SE'95
18	18338-MT8-770	RUBBER (5MM) - SE'94'95

Catalog Title:  
**GL1500A/SE/ '94 - '95**

Block No.  
**F 24**

Block Title:  
**MUFFLER**

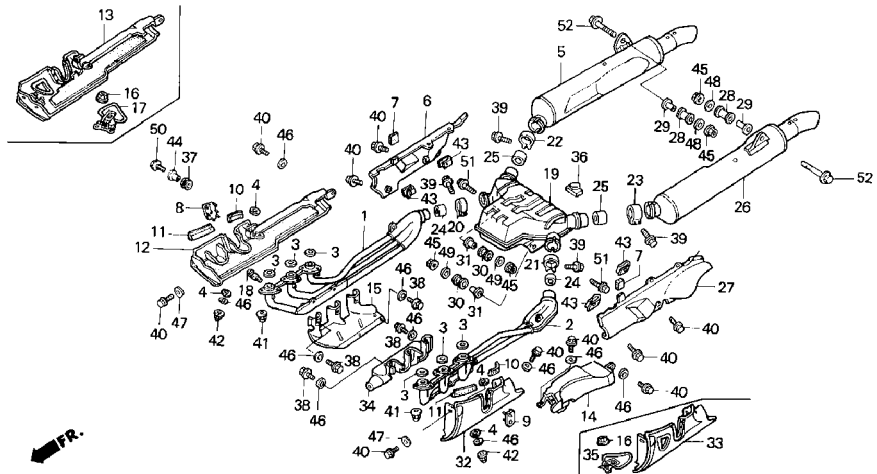


Ref. No.	Part No.	Description
19	18340-MN5-003	*18340-MAM-A80
20	18373-MB6-003	BAND, R. EX. PIPE
21	18374-MB6-003	BAND, L. EX. PIPE
22	18376-MB4-003	BAND, R. MUFFLER
23	18377-MB4-003	BAND, L. MUFFLER
24	18391-MY4-003	GASKET A, MUFFLER - ALL '94
24	18391-MAM-000	GASKET A, MUFFLER
25	18392-MY4-003	GASKET B, MUFFLER
25	18392-MAM-000	GASKET B, MUFFLER
26	18410-MW5-000	MUFFLER COMP., L.
27	18415-MW5-870ZB	PROTECTOR, L. *NH1Z* - A/I'94
27	18415-MW5-870ZL	PROTECTOR *B142P* - ALL '94
27	18415-MW5-870ZK	PROTECTOR *R199C*
27	18415-MW5-870ZQ	PROTECTOR *RP151P* S/SE'95
27	18415-MW5-870ZR	PROTECTOR *G156P* - ALL '95
27	18415-MW5-870ZM	PROTECTOR *BG101P* - SE'94
27	18415-MW5-870ZP	PROTECTOR *NH253M* - SE'94'95
28	18421-MN5-000	RUBBER
29	18422-MN5-000	COLLAR
30	18423-MN5-000	RUBBER
31	18424-MN5-000	COLLAR
32	18425-MN5-013ZH	PROTECTOR, L. *NH1Z* - A/I '94
32	18425-MW5-000ZA	PROTECTOR, L. *NH1Z* - A/I '94
32	18425-MW5-000ZF	PROTECTOR *B142P* - A/I '94
32	18425-MW5-000ZE	PROTECTOR *R199C* - A/I '94'95

Catalog Title:  
**GL1500A/SE/ '94 - '95**

Block No.  
**F 24**

Block Title:  
**MUFFLER**



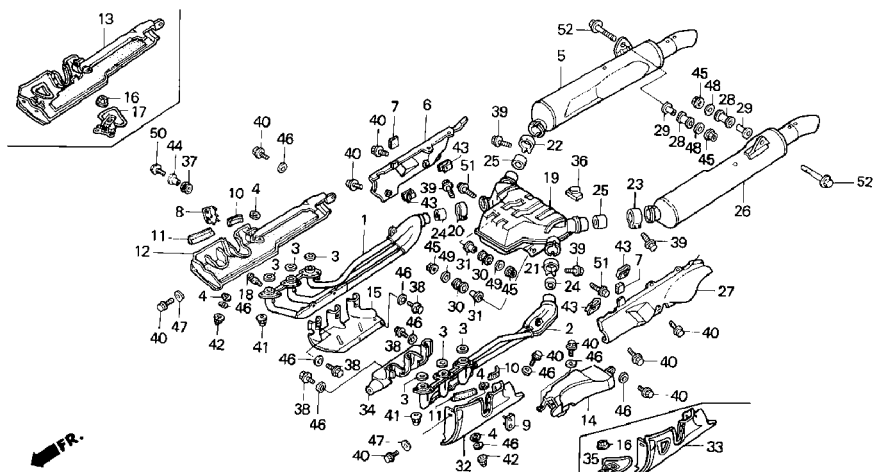
Ref. No.	Part No.	Description
32	18425-MW5-000ZG	PROTECTOR *RP151P* - A'95
32	18425-MW5-000ZH	PROTECTOR *G156P* - A/I '95
33	18425-MW5-770ZK	PROTECTOR *B142P* - SE'94
33	18425-MW5-770ZL	PROTECTOR *BG101P - SE'94
33	18425-MW5-770ZJ	PROTECTOR *R199C* - SE'94'95
33	18425-MW5-770ZN	PROTECTOR *NH253M* - SE'94'95
33	18425-MW5-770ZP	PROTECTOR *RP151P* - SE'95
33	18425-MW5-770ZQ	PROTECTOR *G156P* - SE'95
34	18427-MT8-000	CHAMBER, L. HOT AIR
35	18435-MW5-770ZM	LID *B142P* (TYPE17) - SE'94
35	18435-MW5-770ZN	LID COMP. *BG101P* - SE'94
35	18435-MW5-770ZL	LID, L. *R199C* - SE'94'95
35	18435-MW5-770ZQ	LID *NH253M* (TYPE8) - SE'94'95
35	18435-MW5-770ZR	LID COMP. *RP151P* - SE'95
35	18435-MW5-770ZS	LID *G156P* (TYPE21) - SE'95
36	50524-MG9-000	RUBBER
37	61329-MJ6-000	RUBBER
38	90126-MN5-000	BOLT, FLANGE (6X8)
39	90129-MN5-000	BOLT, FLANGE (8X37)
40	90130-MN5-000	BOLT, FLANGE (6X10)
41	90304-HB3-771	NUT, SPECIAL (6MM)
42	90308-MT8-000	NUT, CAP (6MM)
43	90344-692-003	NUT, CLIP (6MM)
44	90501-MJ6-000	COLLAR
45	94050-08080	NUT, FLANGE (8MM)

Catalog Title:  
**GL1500A/SE/ '94 - '95**

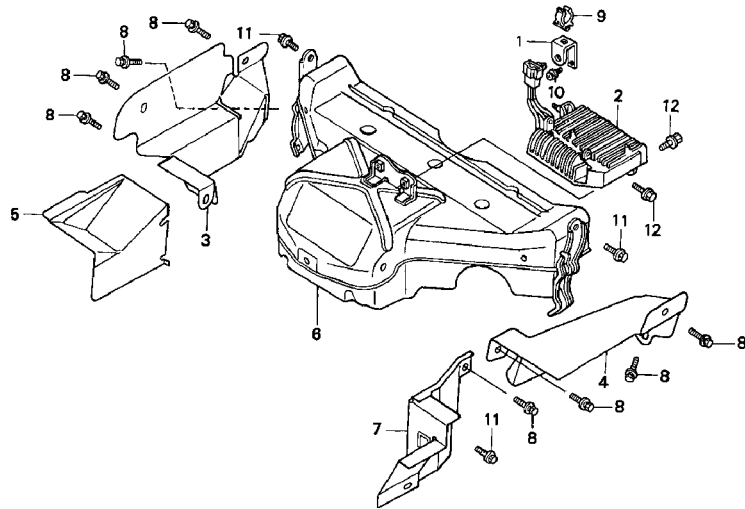
Block No.  
**F 24**

Block Title:  
**MUFFLER**

Ref. No.	Part No.	Description
46	94101-06400	WASHER, PLAIN (6MM)
47	94103-06400	WASHER, PLAIN (6MM)
48	94103-08200	WASHER, PLAIN (8MM)
49	94103-08800	WASHER, PLAIN (8MM)
50	95701-06018-08	BOLT, FLANGE (6X18)
51	95801-06018-08	BOLT, FLANGE (6X18)
52	95701-08045-08	BOLT, FLANGE (8X45)
	95701-08055-02	BOLT, FLANGE (8X55)



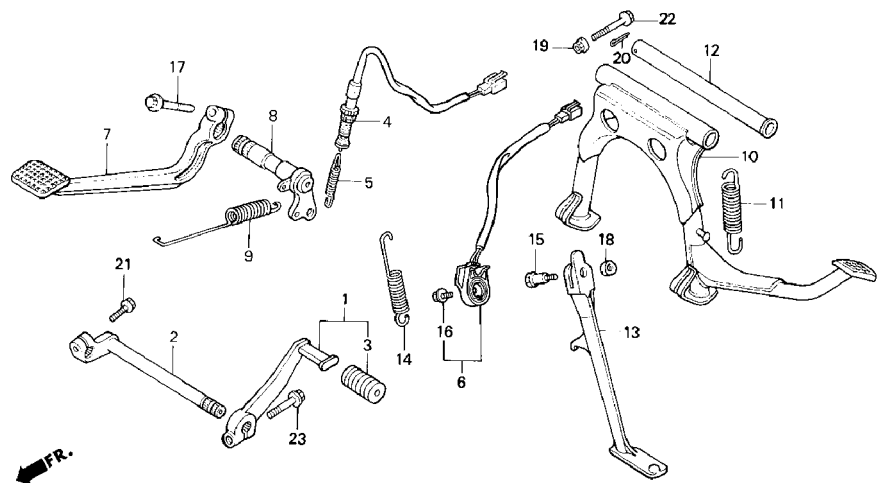
Ref. No.	Part No.	Description
1	31203-MT8-000	HOLDER - A/SE '94'95
2	36280-MT8-003	RESISTOR, REVERSE - A/SE '94'95
3	50270-MN5-000	PROTECTOR, R. HEAT
4	50271-MN5-000	PROTECTOR, L. HEAT
5	50272-MN5-000	GUARD, R. FR. HEAT
6	50273-MT2-000	PROTECTOR, CHAMBER - A/SE '94'95
7	50273-MW5-870	PROTECTOR, CHAMBER - I'94'95
8	50274-MZ3-000	GUARD, L. FR. HEAT
9	90196-MN5-000	BOLT, FLANGE (5X10)
10	90659-MT8-003	CLIP, CABLE - A/SE '94'95
11	93892-05010-08	SCREW-WASHER (5X10) - A/SE '94'95
12	95701-06010-08	BOLT, FLANGE (6X10)
	95701-06014-08	BOLT, FLANGE (6X14) - A/SE '94'95



Catalog Title:  
**GL1500A/SE/ '94 - '95**

Block No.  
**F 26**

Block Title:  
**PEDAL**



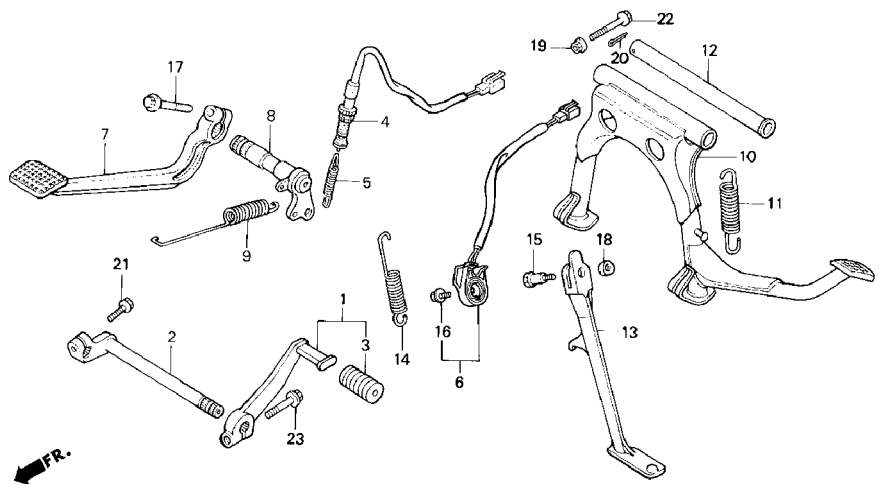
Ref. No.	Part No.	Description
1	24710-MT2-000	PEDAL, GEARSHIFT
2	24711-MN5-000	ARM COMP., GEARSHIFT
3	24781-419-000	RUBBER
4	35350-MT8-003	SWITCH, RR. STOP - A/SE '94'95
4	35350-MW5-871	SWITCH, RR. STOP - I'94'95
5	35357-MN5-000	SPRING, STOP SWITCH
6	35700-MY4-305	SWITCH, SIDE STAND
7	46500-MN5-000	PEDAL, RR. BRAKE - A/SE '94'95
7	46500-MW5-870	PEDAL, RR. BRAKE - I'94'95
8	46505-MN5-000	SPINDLE, RR. BRAKE
9	46514-MN5-000	SPRING, BRAKE PEDAL
10	50500-MW5-000	STAND COMP., MAIN
11	50510-MT2-000	SPRING, MAIN STAND
12	50526-MW5-000	PIPE
13	50532-MY4-000	BAR, SIDE STAND - ALL'94
13	50532-MY4-700	BAR, SIDE STAND - ALL'94
13	50532-MAM-000	BAR, SIDE STAND - ALL'95
14	50541-MB0-000	SPRING, SIDE STAND
15	90108-MR5-000	BOLT
16	90147-MK6-671	BOLT, SPECIAL (6X16)
17	90183-438-000	BOLT (8X26)
18	90203-MF9-710	NUT, SIDE STAND
19	94050-08080	NUT, FLANGE (8MM)
20	94201-25250	PIN, SPLIT (2.5X25)
20	94201-25300	PIN, SPLIT (2.5X30)

Catalog Title:  
**GL1500A/SE/ '94 - '95**

Block No.  
**F 26**

Block Title:  
**PEDAL**

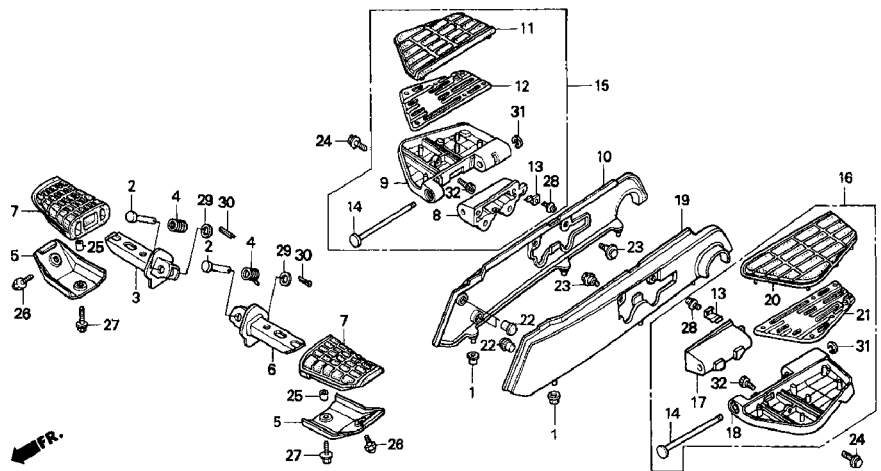
Ref. No.	Part No.	Description
21	95701-06020-08	BOLT, FLANGE (6X20)
22	95701-08045-08	BOLT, FLANGE (8X45)
23	96001-06028-02	BOLT, FLANGE (6X28)



Catalog Title:  
**GL1500A/SE/ '94 - '95**

Block No.  
**F 27**

Block Title:  
**STEP - GL1500A**



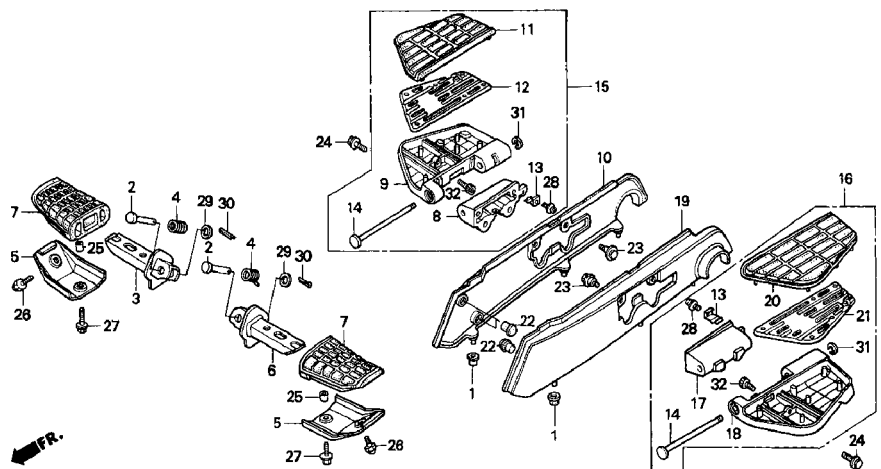
Ref. No.	Part No.	Description
1	19113-MB1-870	RUBBER
2	50603-MN5-000	PIN, STEP PIVOT
3	50612-MT2-000	BAR COMP., R. STEP
4	50617-MB1-700	SPRING, STEP RETURN
5	50619-MN5-000	COVER, STEP (LOWER)
6	50642-MT2-000	BAR COMP., L. STEP
7	50661-MN5-000	RUBBER, MAIN STEP
8	50715-MN5-010	HOLDER, R.
9	50716-MT8-000	PLATE, R.
10	50717-MW5-000	COVER, R.
11	50718-MN5-000	RUBBER, R.
12	50719-MN5-000	PLATE, R. FOOT
13	50720-MN5-000	SPRING, PILLION STEP
14	50721-MT8-000	PIN, PILLION STEP
15	50730-MT8-000	HOLDER, R. STEP
16	50740-MT8-000	HOLDER, L. STEP
17	50815-MN5-010	HOLDER, L.
18	50816-MT8-000	PLATE, L.
19	50817-MW5-000	COVER, L.
20	50818-MN5-000	RUBBER, L.
21	50819-MN5-000	PLATE, L. FOOT
22	84103-443-611	CAP, RR. BUMPER
23	90113-GF0-000	BOLT, FLANGE (6MM)
24	90119-383-000	BOLT, FLANGE (8X25)
25	90325-197-000	COLLAR, RR. MUDGUARD

Catalog Title:  
**GL1500A/SE/ '94 - '95**

Block No.  
**F 27**

Block Title:  
**STEP - GL1500A**

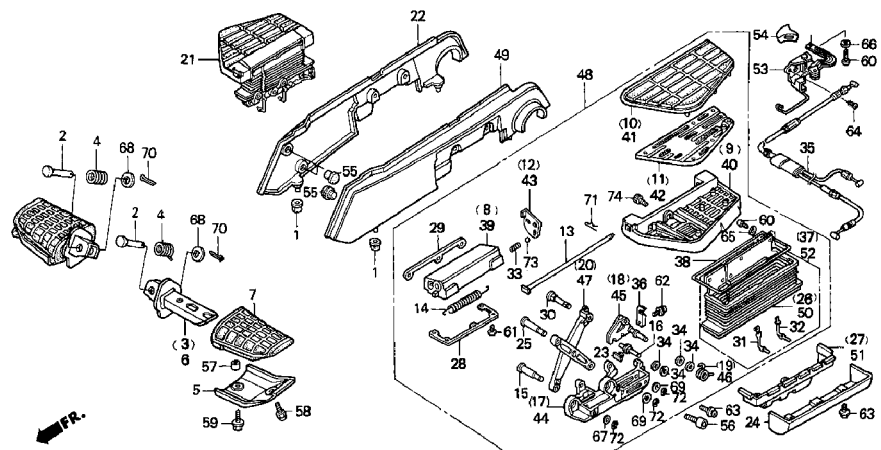
Ref. No.	Part No.	Description
26	92501-06008-0B	BOLT, CAP (6X8)
27	93403-06020-00	BOLT-WASHER (6X20)
28	93893-05012-08	SCREW-WASHER (5X12)
29	94102-08000	WASHER, PLAIN (8MM)
30	94201-16150	PIN, SPLIT (1.6X15)
31	94201-16250	PIN, COTTER (1.6X25)
32	94540-07010	E-RING (7MM)
32	96600-06016-08	BOLT, SOCKET (6X16)



Catalog Title:  
**GL1500A/SE/ '94 - '95**

Block No.  
**F 2701**

Block Title:  
**STEP - GL1500SE**

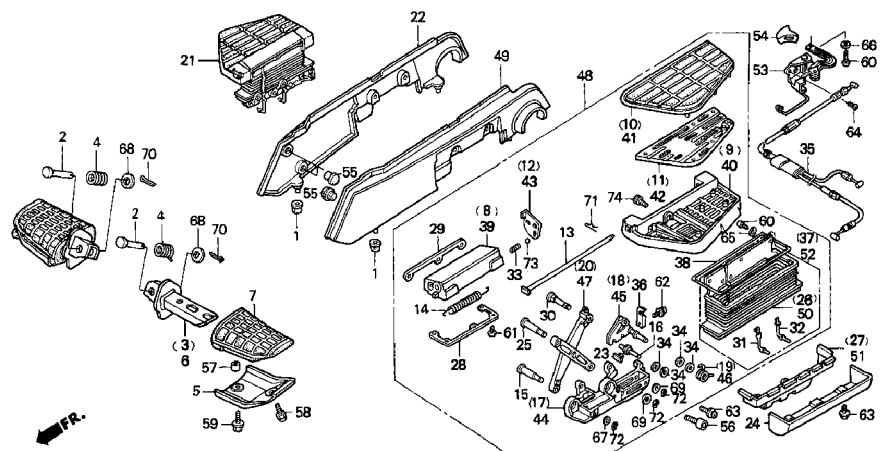


Ref. No.	Part No.	Description
1	19113-MB1-870	RUBBER
2	50603-MN5-000	PIN, STEP PIVOT
3	50612-MT2-000	BAR COMP., R. STEP
4	50617-MB1-700	SPRING, STEP RETURN
5	50619-MN5-000	COVER, STEP (LOWER)
6	50642-MT2-000	BAR COMP., L. STEP
7	50661-MN5-000	RUBBER, MAIN STEP
8	50715-MT8-771	HOLDER, R.
9	50716-MT8-771	PLATE, R.
10	50718-MN5-000	RUBBER, R.
11	50719-MN5-000	PLATE, R. FOOT
12	50720-MT8-770	PLATE
13	50721-MT8-770	PIN, PILLION STEP
14	50722-MT8-770	SPRING, ADJUSTER
15	50723-MT8-770	PIN (6MM)
16	50724-MT8-770	PIN (6MM)
17	50725-MT8-771	BRACKET, R.
18	50726-MT8-770	ARM, R. STOPPER
19	50727-MT8-770	SPRING, R.
20	50729-MT8-770	LINK COMP., R.
21	50730-MT8-770	STEP ASSY., R.
22	50731-MW5-770	COVER, R.
23	50732-MT8-770	RUBBER, STOPPER
24	50733-MT8-770	COVER
25	50734-MT8-770	PIN

Catalog Title:  
**GL1500A/SE/ '94 - '95**

Block No.  
**F 2701**

Block Title:  
**STEP - GL1500SE**

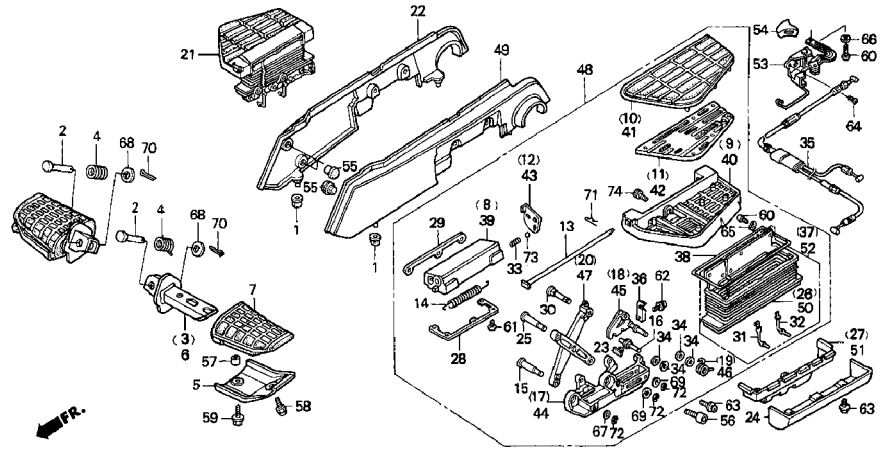


Ref. No.	Part No.	Description
26	50735-MT8-771	COVER, R.
27	50736-MT8-770	HOOK, R.
28	50737-MT8-770	PLATE, LINK COVER
29	50739-MT8-770	PLATE B, R.
30	50741-MT8-770	PIN
31	50742-MT8-770	HOOK A, LINK COVER
32	50743-MT8-770	HOOK B, LINK COVER
33	50746-MT8-770	SPRING
34	50747-MT8-770	WASHER, THRUST (8MM)
35	50750-MT8-770	CABLE COMP.
36	50751-MT8-770	STAY, CABLE
37	50755-MT8-770	CVR, R. PILLION STEP
38	50756-MT8-770	RING, LINK COVER
39	50815-MT8-771	HOLDER, L.
40	50816-MT8-771	PLATE, L.
41	50818-MN5-000	RUBBER, L.
42	50819-MN5-000	PLATE, L. FOOT
43	50820-MT8-770	PLATE, L.
44	50825-MT8-771	BRACKET, L.
45	50826-MT8-770	ARM, L. STOPPER
46	50827-MT8-770	SPRING, L.
47	50829-MT8-770	LINK COMP., L.
48	50830-MT8-770	STEP ASSY., L.
49	50831-MW5-770	COVER, L.
50	50835-MT8-771	COVER, L.

Catalog Title:  
**GL1500A/SE/ '94 - '95**

Block No.  
**F 2701**

Block Title:  
**STEP - GL1500SE**



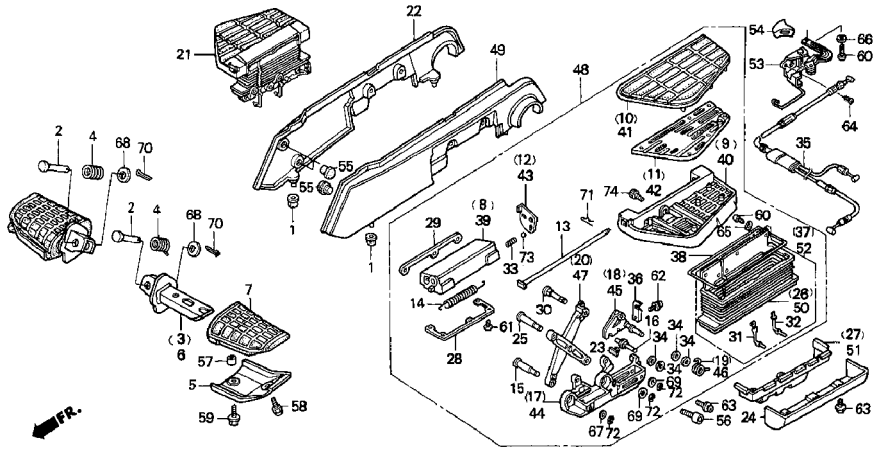
Ref. No.	Part No.	Description
51	50836-MT8-770	HOOK, L.
52	50855-MT8-770	CVR, L. PILLION STEP
53	74882-MT8-771	LEVER COMP.
54	74885-MAM-D80	KNOB
54	74885-MT8-770	KNOB
55	84103-443-611	CAP, RR. BUMPER
56	90109-MB0-000	BOLT, SOCKET
56	90157-MB1-000	BOLT, SOCKET (8X18)
57	90325-197-000	COLLAR, RR. MUDGUARD
58	92501-06008-0B	BOLT, CAP (6X8)
59	93403-06020-00	BOLT-WASHER (6X20)
60	93500-03006-0A	SCREW, PAN (3X6)
61	93500-03008-0A	SCREW, PAN (3X8)
62	93891-05010-07	SCREW-WASHER (5X10)
63	93891-05010-08	SCREW-WASHER (5X10)
64	93903-24420	SCREW, TAP (4X16)
65	94101-03000	WASHER, PLAIN (3MM)
66	94101-03700	WASHER, PLAIN (3MM)
67	94101-06800	WASHR, PLAIN(6MM)06800
68	94102-08000	WASHER, PLAIN (8MM)
69	94102-08800	WASHER, PLAIN (8MM)
70	94201-16150	PIN, SPLIT (1.6X15)
70	94201-16250	PIN, COTTER (1.6X25)
71	94251-08000	PIN, LOCK (8MM)
72	94540-05018	E-RING (5MM)

Catalog Title:  
**GL1500A/SE/ '94 - '95**

Block No.  
**F 2701**

Block Title:  
**STEP - GL1500SE**

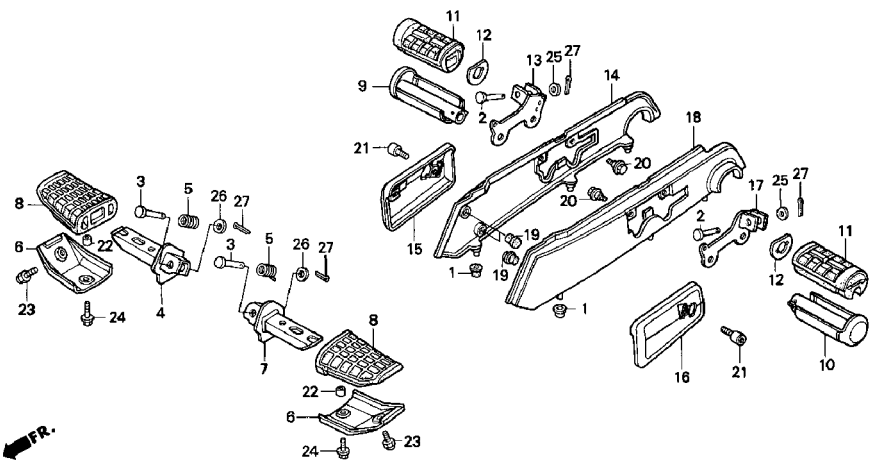
Ref. No.	Part No.	Description
73	96211-08000	BALL (#8) (1/4)
74	96600-06016-08	BOLT, SOCKET (6X16)



Catalog Title:  
**GL1500A/SE/ '94 - '95**

Block No.  
**F 2702**

Block Title:  
**STEP - GL1500I**



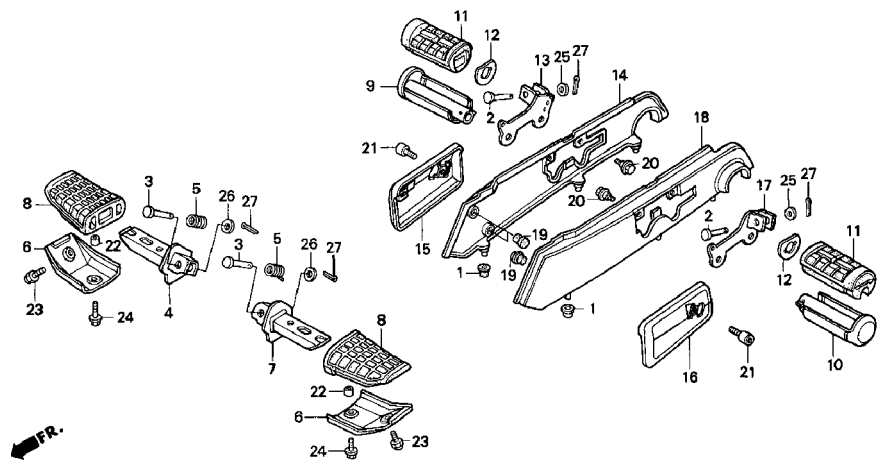
Ref. No.	Part No.	Description
1	19113-MB1-870	RUBBER
2	50603-KB4-000	PIN, STEP JOINT
3	50603-MN5-000	PIN, STEP PIVOT
4	50612-MT2-000	BAR COMP., R. STEP
5	50617-MB1-700	SPRING, STEP RETURN
6	50619-MN5-000	COVER, STEP (LOWER)
7	50642-MT2-000	BAR COMP., L. STEP
8	50661-MN5-000	RUBBER, MAIN STEP
9	50711-MM8-000	BAR, R. PILLION STEP
10	50712-MM8-000	BAR, L. PILLION STEP
11	50713-MK7-000	RUBBER, PILLION STEP
12	50714-MK7-000	WASHER, PILLION STEP
13	50715-MW5-870	HOLDER, R.
14	50717-MW5-000	COVER, R.
15	50725-MW5-870	SUB-COVER, R.
16	50726-MW5-870	SUB-COVER, L.
17	50815-MW5-870	HOLDER, L.
18	50817-MW5-000	COVER, L.
19	84103-443-611	CAP, RR. BUMPER
20	90111-GK1-000	BOLT, FLANGE (6MM)
21	90113-MW5-870	BOLT, HEX. (6X12)
22	90325-197-000	COLLAR, RR. MUDGUARD
23	92501-06008-0B	BOLT, CAP (6X8)
24	93403-06020-00	BOLT-WASHER (6X20)
25	94101-08000	WASHER, PLAIN (8MM)

Catalog Title:  
**GL1500A/SE/ '94 - '95**

Block No.  
**F 2702**

Block Title:  
**STEP - GL1500I**

Ref. No.	Part No.	Description
26	94102-08000	WASHER, PLAIN (8MM)
27	94201-16150	PIN, SPLIT (1.6X15)
27	94201-16250	PIN, COTTER (1.6X25)



Catalog Title:

GL1500A/SE/I '94 - '95

Block No.

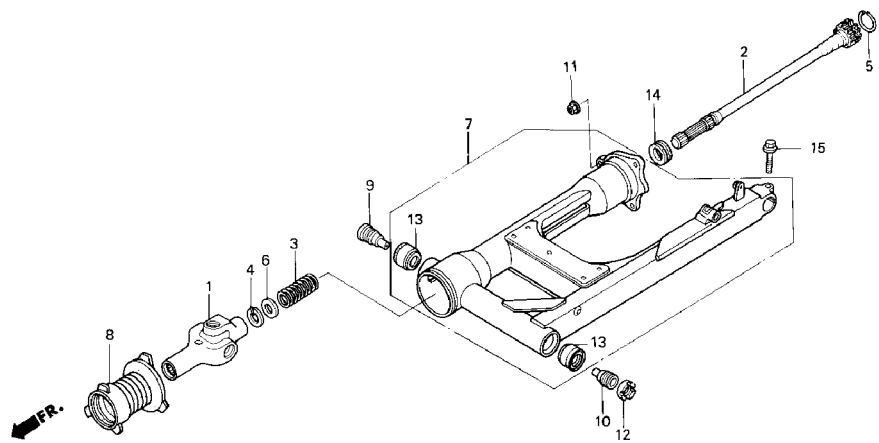
F 28

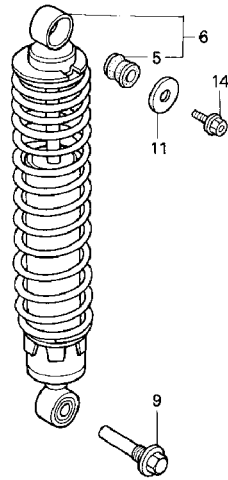
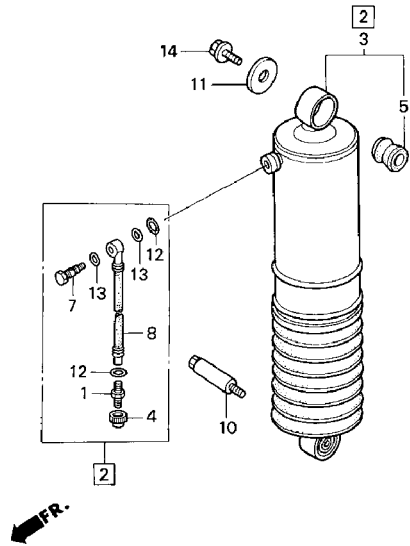
Block Title:

SWINGARM

Ref. No.	Part No.	Description
----------	----------	-------------

1	40200-MZ3-003	JOINT COMP., YOKE
2	40201-MT8-003	SHAFT, PROPELLER
3	40215-MN5-000	SPRING
4	40219-MG9-000	CIRCLIP
5	40221-MB0-000	RING, STOPPER
6	40222-MN5-000	STOPPER
7	52100-MAM-A00	SWINGARM ASSY., RR.
7	52100-MT8-000	SWINGARM ASSY., RR.
8	52104-MN5-000	BOOT, JOINT
9	90121-MT8-000	BOLT, R.
10	90122-MN5-000	BOLT, L.
11	90308-357-000	NUT, HEX. (10MM)
12	90355-469-000	NUT, RR.
13	91066-HA7-672	BEARING (17X40X23.5)
14	91261-ME9-005	OIL SEAL (27X43X7)
15	95701-08032-00	BOLT, FLANGE (8X32)



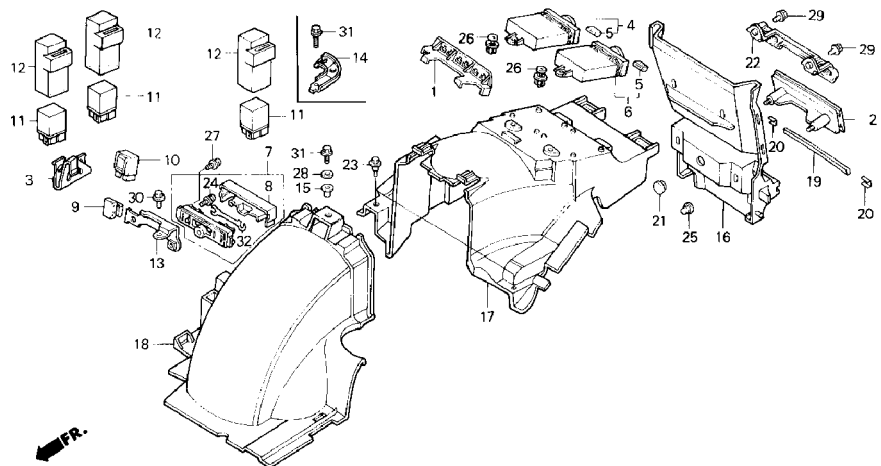


Ref. No.	Part No.	Description
1	51456-469-013	VALVE COMP., AIR - I'94'95
2	52400-MW5-871	S/ABS ASSY., R. RR. - I'94'95
3	52400-MY4-003	S/ABS ASSY., R. RR.- A/SE '94'95
3	52400-MY4-013	SHOCK ABSORBER, RR.- A/SE '94'95
4	52425-381-771	CAP, AIR VALVE - I'94'95
5	52484-MN5-003	RUBBER, JOINT
6	52500-MN5-003	S/ABS ASSY., L. RR. ALL '94
6	52500-MAM-003	S/ABS, L. RR. - ALL '95
7	52628-MG9-871	BOLT, AIR HOSE - I'94'95
8	52650-MW5-871	HOSE COMP., AIR - I'94'95
9	90158-MN5-000	BOLT, BRAKE STOPPER
10	90159-MG9-000	BOLT, RR.
11	90535-KB9-000	WASHER
12	91301-469-003	O-RING (5.8X1.9) - I'94'95
12	91305-323-000	O-RING (5.8X1.9) - I'94'95
13	91351-671-004	O-RING (7MM) - I'94'95
14	95701-08016-08	BOLT, FLANGE (8X16)

Catalog Title:  
**GL1500A/SE/ '94 - '95**

Block No.  
**F 30**

Block Title:  
**REAR FENDER**

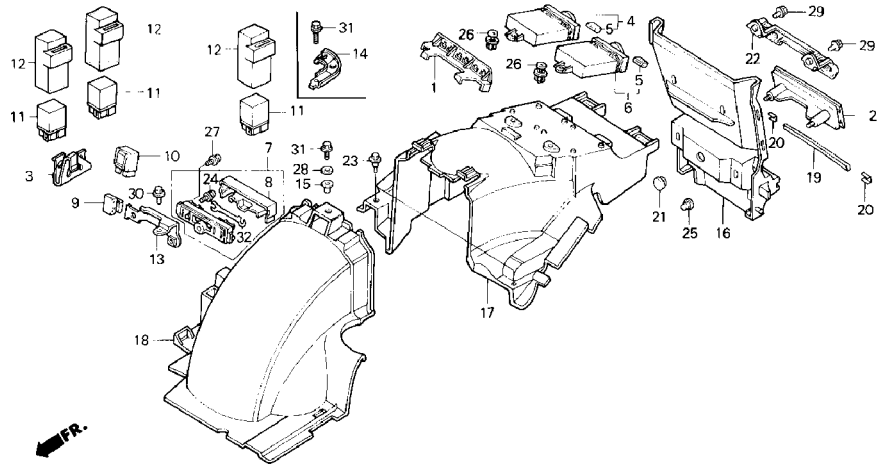


Ref. No.	Part No.	Description
1	32010-MN5-000	HOLDER, CONNECTOR
2	33742-MT2-004	REFLECTOR, RR.
3	35853-MT8-000	STAY, START RELAY- A/SE '94'95
4	36400-MT8-003	CONT UNIT, REVERSE- A/SE '94'95
5	36405-MN5-000	CAP, CONTROL UNIT- A/SE '94'95
6	36700-MZ3-003	CONTROLLER- A/SE '94'95
7	38260-MN5-003	BOX, REVERSE FUSE- A/SE '94'95
8	38265-MN5-003	COVER, FUSE BOX- A/SE '94'95
9	38306-MF5-770	SUSPENSION- A/SE '94'95
10	38380-MN5-003	RELAY COMP. (20A)- A/SE '94'95
11	38501-KG8-004	RELAY COMP., STARTER- A/SE '94'95
12	38506-KG8-004	SUSPENSION- A/SE '94'95
13	50230-MN5-000	STAY, MAIN RELAY- A/SE '94'95
14	50752-MT8-770	CLAMP, CABLE JOINT- SE '94'95
15	61105-MA3-000	COLLAR, FR. FENDER - A/ '94'95
16	80100-MN5-000ZJ	FENDER, RR. *NH1Z - A/ '94
16	80100-MN5-000ZT	FDR A, RR. *B142P- ALL'94
16	80100-MN5-000ZP	FDR A, RR. *R176C*
16	80100-MN5-000ZW	FDR A, RR. *RP151P - A/ '95
16	80100-MN5-000ZV	FDR A, RR. *G156P* - ALL '95
16	80100-MN5-000ZU	FDR A, RR. *BG101P* - SE'94
16	80100-MN5-000ZQ	FDR A, RR. *NH326P* - SE'94'95
17	80101-MN5-000	FENDER B, RR. - A/SE '94'95
17	80101-MW5-870	FENDER B COMP., RR. - I'94'95
18	80102-MN5-000	FENDER C, RR.

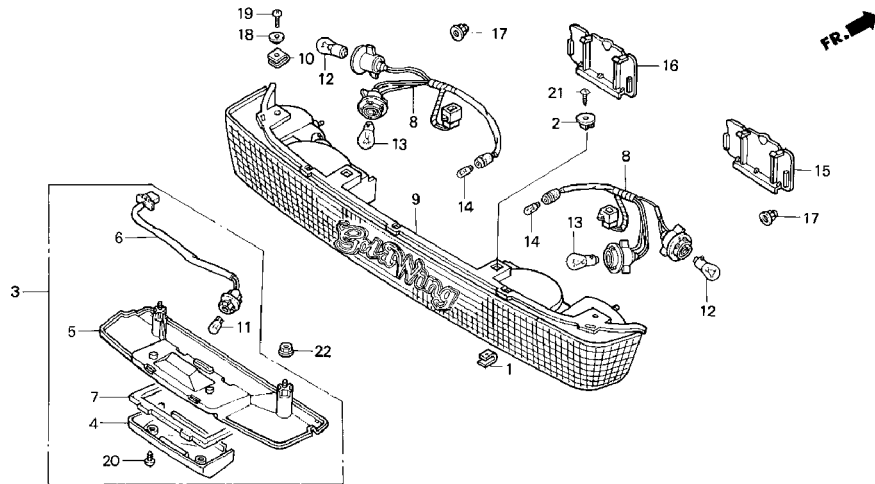
Catalog Title:  
**GL1500A/SE/ '94 - '95**

Block No.  
**F 30**

Block Title:  
**REAR FENDER**



Ref. No.	Part No.	Description
19	81245-MN5-000	MOLDING, RR. FENDER
20	81247-MN5-000	CLIP, MOLDING
21	82871-671-000	GROMMET (25MM)
22	84700-MN5-000	BRKT, NUMBER PLATE
23	90112-GC6-000	BOLT, FLANGE (6MM)
24	90153-SB2-003	SCREW-WASHER (5X10) - A/SE'94'95
25	90167-SA0-980	NUT (5MM)
26	90670-SB2-671	SCREW - A/SE'94'95
27	93891-06016-08	SCREW-WASHER (6X16) - A/SE'94'95
28	94101-06000	WASHER, PLAIN (6MM) - SE/'94'95
28	94101-06080	WASHER, PLAIN (6MM) - SE/'94'95
28	94101-06800	WASHR,PLAIN6MM)06800 - SE/'94'95
29	95701-06012-07	BOLT, FLANGE (6X12)
30	95701-06012-08	BOLT, FLANGE (6X12) - A/SE '94'95
31	95701-06014-08	BOLT, FLANGE (6X14)
32	98200-66500	FUSE (65A) A/SE '94'95

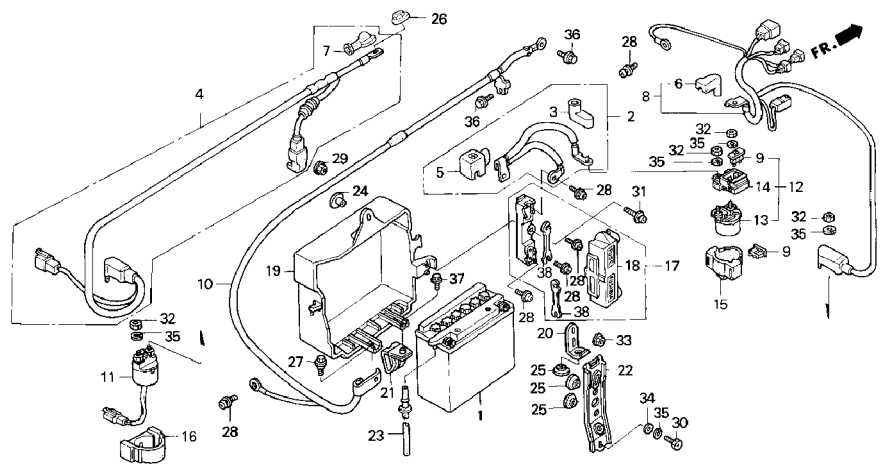


Ref. No.	Part No.	Description
1	33407-MB2-003	NUT, SPECIAL
2	33408-MN5-003	NUT B, SPECIAL
3	33720-MT2-004	LIGHT (12V 3CP)
4	33726-MT2-004	LENS, LICENSE LIGHT
5	33727-MT2-004	BASE, LICENSE LIGHT
6	33728-MT2-004	SOCKET COMP.
6	33728-MT2-602	SOCKET, LICENSE
7	33729-MN5-003	GASKET
8	33788-MAM-A82	WIRE COMP.
8	33788-MN5-003	WIRE COMP., TRUNK
9	33790-MN5-003	HOUSING, TRUNK LIGHT
10	33792-MN5-003	NUT, PLATE
11	34901-SB0-671	BULB (12V5W)
12	34905-268-671	BULB (12V 23W)
13	34906-SA5-671	BULB
14	34908-MB0-003	BULB (12V/3W)
15	81358-MN5-000	CVR, R. TRUNK LIGHT
16	81359-MN5-000	CVR, L. TRUNK LIGHT
17	90167-SA0-980	NUT (5MM)
18	90556-MB4-000	WASHER, FR.
19	93500-05014-0G	SCREW, PAN (5X14)
20	93901-34520	SCREW, TAP (4X20)
21	93903-25380	SCREW, TAP (5X16)
22	94050-05080	NUT, FLANGE (5MM)

Catalog Title:  
**GL1500A/SE/ '94 - '95**

Block No.  
**F 32**

Block Title:  
**BATTERY - GL1500A/SE**

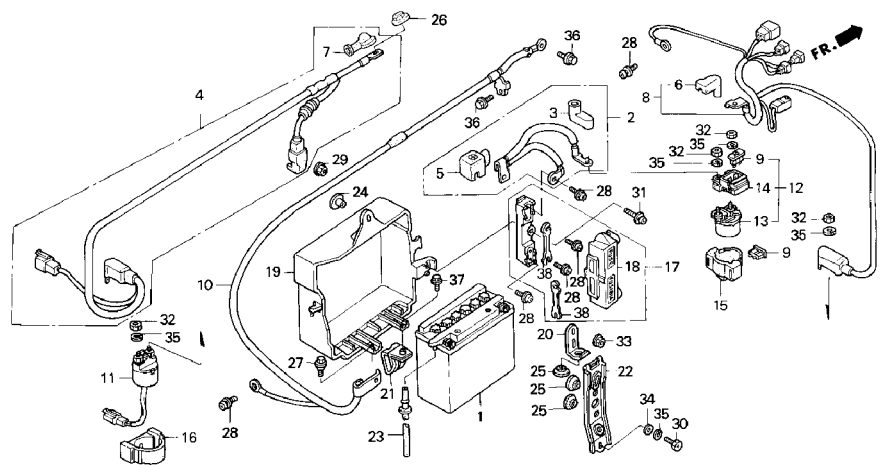


Ref. No.	Part No.	Description
1	31500-MN5-020	BAT (Y50-N18L-A3)
2	32401-MN5-000	CABLE
3	32406-KT7-000	COVER A
4	32410-MZ3-000	CABLE, STARTER MOTOR
5	32412-MN5-000	COVER
6	32417-MG7-000	COVER B
7	32423-MN5-000	COVER
8	32425-MT8-000	CABLE
9	32507-SM4-003	FUSE (F30)
9	98200-33000	FUSE, BLADE (30A)
10	32601-MT8-000	CABLE
11	35850-MT8-000	SWITCH ASSY.
12	35850-MK3-671	SWITCH ASSY.
12	35850-MT8-003	SWITCH ASSY.
13	35851-MF5-751	SWITCH COMP.
14	35855-MG7-751	HOLDER ASSY., FUSE
15	35856-MK5-007	RUBBER, SHOCK
16	35856-425-000	RUBBER
17	38250-MN5-003	BOX ASSY., MAIN FUSE
18	38255-MN5-003	COVER, MAIN FUSE B
19	50320-MN5-000	BOX COMP., BATTERY
20	50322-MN5-000	HOOK, BATTERY BAND
21	50323-MN5-000	CLAMP, BRAKE HOSE
22	50325-MN5-000	BAND, BATTERY

Catalog Title:  
**GL1500A/SE/ '94 - '95**

Block No.  
**F 32**

Block Title:  
**BATTERY - GL1500A/SE**

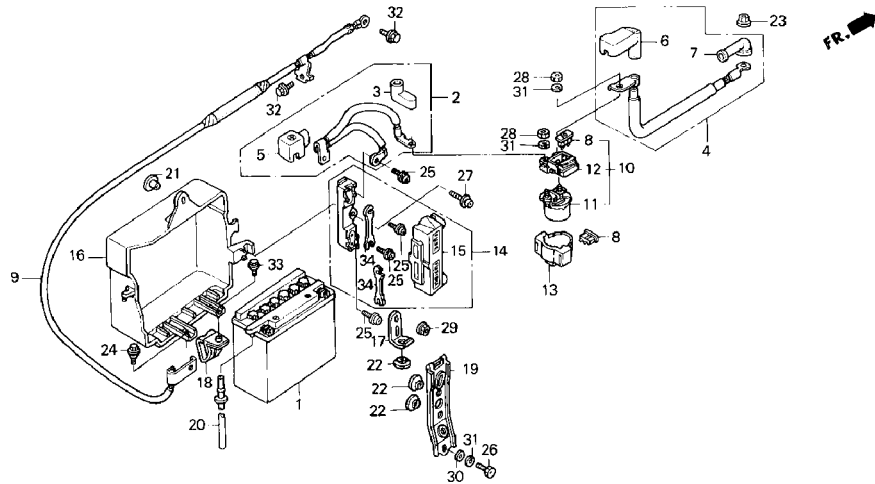


Ref. No.	Part No.	Description
23	50328-MN5-000	TUBE, BATTERY
24	83119-MG9-000	COLLAR, LOCK SETTING
25	83618-323-000	RUBBER, BATTERY BOX
26	90071-MB0-000	NUT-WASHER (6MM)
27	90109-434-000	BOLT, SPECIAL (6MM)
28	90153-SB2-003	SCREW-WASHER (5X10)
29	90303-HA0-680	NUT, SPECIAL (6X7)
30	92301-06012-0A	BOLT (6X12)
31	93891-06016-08	SCREW-WASHER (6X16)
32	94002-06080-0S	NUT, HEX. (6MM)
33	94050-06080	NUT, FLANGE (6MM)
34	94101-06800	WASHR,PLAIN(6MM)06800
35	94111-06800	WASHER, SPRING (6MM)
36	95701-06012-08	BOLT, FLANGE (6X12)
37	95701-06016-08	BOLT, FLANGE (6X16)
38	98200-65500	FUSE G (55A)

Catalog Title:  
**GL1500A/SE/ '94 - '95**

Block No.  
**F 3201**

Block Title:  
**BATTERY - GL1500I**



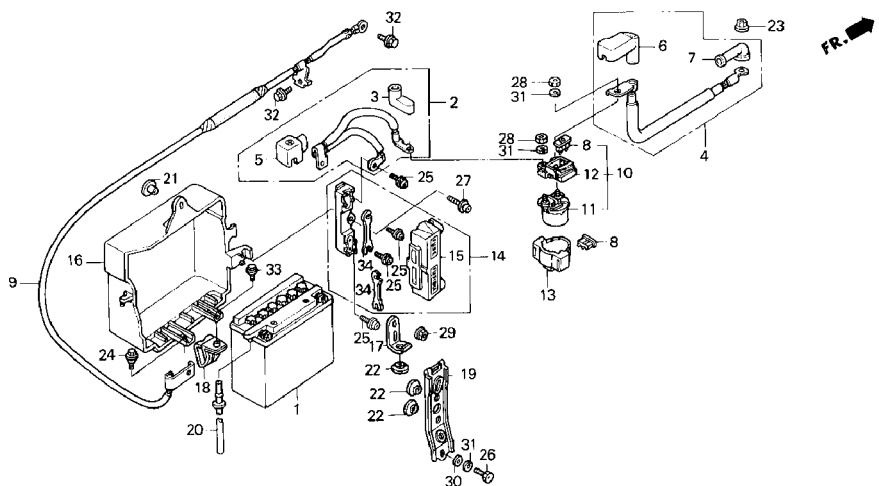
Ref. No.	Part No.	Description
1	31500-MN5-010	BAT (Y50-N18L-A3)
	31500-MN5-017	BAT (Y50-N18L-A3)
1	31500-MN5-020	BAT (Y50-N18L-A3)
2	32401-MN5-000	CABLE
3	32406-KT7-000	COVER A
4	32410-MW5-870	CABLE, STARTER MOTOR
5	32412-MN5-000	COVER
6	32417-MG7-000	COVER B
7	32423-MN5-000	COVER
8	32507-SM4-003	FUSE (F30)
8	98200-33000	FUSE, BLADE (30A)
9	32601-MW5-870	CABLE
10	35850-MK3-671	SWITCH ASSY.
10	35850-MT8-003	SWITCH ASSY.
11	35851-MF5-751	SWITCH COMP.
12	35855-MG7-751	HOLDER ASSY., FUSE
13	35856-MK5-007	RUBBER, SHOCK
14	38250-MN5-003	BOX ASSY., MAIN FUSE
15	38255-MN5-003	COVER, MAIN FUSE B
16	50320-MN5-000	BOX COMP., BATTERY
17	50322-MN5-000	HOOK, BATTERY BAND
18	50323-MN5-000	CLAMP, BRAKE HOSE
19	50325-MN5-000	BAND, BATTERY
20	50328-MN5-000	TUBE, BATTERY
21	83119-MG9-000	COLLAR, LOCK SETTING

Catalog Title:  
**GL1500A/SE/ '94 - '95**

Block No.  
**F 3201**

Block Title:  
**BATTERY - GL1500I**

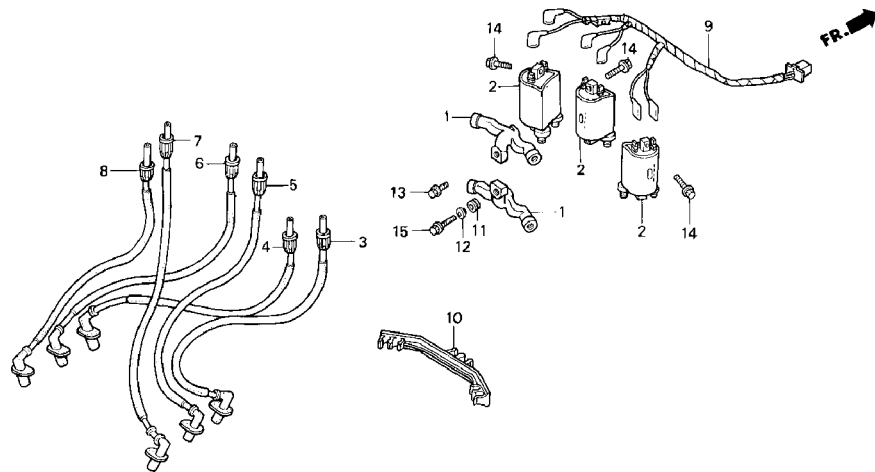
Ref. No.	Part No.	Description
22	83618-323-000	RUBBER, BATTERY BOX
23	90071-MB0-000	NUT-WASHER (6MM)
24	90109-434-000	BOLT, SPECIAL (6MM)
25	90153-SB2-003	SCREW-WASHER (5X10)
26	92301-06012-0A	BOLT (6X12)
27	93891-06016-08	SCREW-WASHER (6X16)
28	94002-06080-0S	NUT, HEX. (6MM)
29	94050-06080	NUT, FLANGE (6MM)
30	94101-06800	WASHR,PLAIN(6MM)06800
31	94111-06800	WASHER, SPRING (6MM)
32	95701-06012-08	BOLT, FLANGE (6X12)
33	95701-06016-08	BOLT, FLANGE (6X16)
34	98200-65500	FUSE G (55A)



Catalog Title:  
**GL1500A/SE/I '94 - '95**

Block No.  
**F 33**

Block Title:  
**IGNITION COIL**



Ref. No.	Part No.	Description
1	30501-MN5-000	STAY, IGNITION COIL
2	30510-KT7-023	COIL COMP., IGNITION
3	30751-MT8-003	CAP 1, IGNITION
4	30752-MT8-003	CAP 2, IGNITION
5	30753-MT8-003	CAP 3, IGNITION
6	30754-MT8-003	CAP 4, IGNITION
7	30755-MT8-003	CAP 5, IGNITION
8	30756-MT8-003	CAP 6, IGNITION
9	32050-MT2-000	SUB-WIRE
10	32981-MT8-003	CLAMP A
11	61329-MJ6-000	RUBBER
12	90501-MJ6-000	COLLAR
13	95701-06010-08	BOLT, FLANGE (6X10)
14	95701-06016-08	BOLT, FLANGE (6X16)
15	95701-06020-08	BOLT, FLANGE (6X20)

Catalog Title:

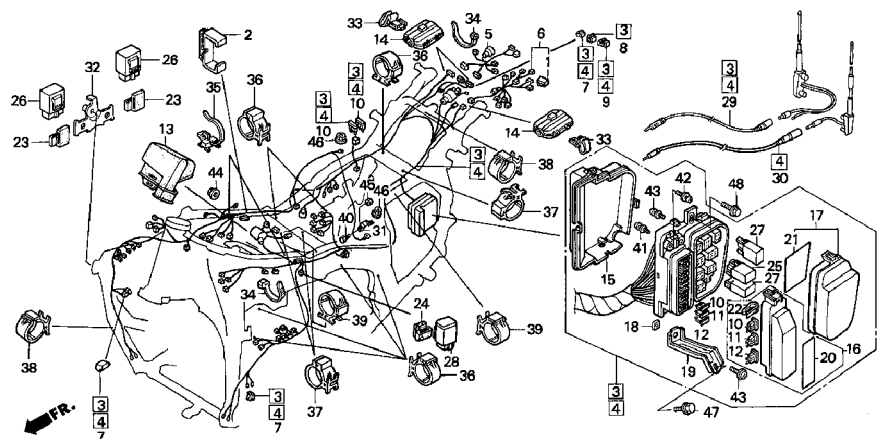
GL1500A/SE/ '94 - '95

Block No.

F 34

Block Title:

WIRE HARNESS - GL1500A/SE



Ref. No.	Part No.	Description
1	31710-371-008	RECTIFIER, SILICON
2	32012-MT8-000	HOLDER C, CONNECTOR
3	32100-MZ3-670	WIRE HARNESS - A'94'95
4	32100-MZ3-770	WIRE HARNESS - SE'94'95
5	32101-MT8-000	SUB-HARNESS, R. RR.
6	32102-MZ3-670	SUB-HARNESS, L. RR. - A'94'95
6	32102-MZ3-770	SUB-HARNESS, L. RR. - SE'94'95
7	32136-MN5-003	CVR, CONNECTOR (2P)
8	32137-KB2-003	CVR, CONNECTOR (4P) - A'94'95
9	32138-KB2-003	CVR, CONNECTOR (6P)
10	32501-MT8-003	FUSE (F5)
10	98200-30500	FUSE, BLADE (5A)
11	32503-SM4-003	FUSE (F10)
11	98200-31000	FUSE, BLADE (10A)
12	32504-SM4-003	FUSE (F15)
12	98200-31500	FUSE, BLADE (15A)
13	32814-MN5-010	CVR, RADIO CONNECTOR
14	32815-MN5-003	CASE (22P)
15	38204-MN5-000	COVER (LOWER)
16	38205-MZ3-670	COVER, FUSE BOX
17	38206-MZ3-670	COVER, RELAY BOX
18	38207-MN5-000	NUT, BRACKET (5MM)
19	38208-MN5-000	BRACKET

Catalog Title:

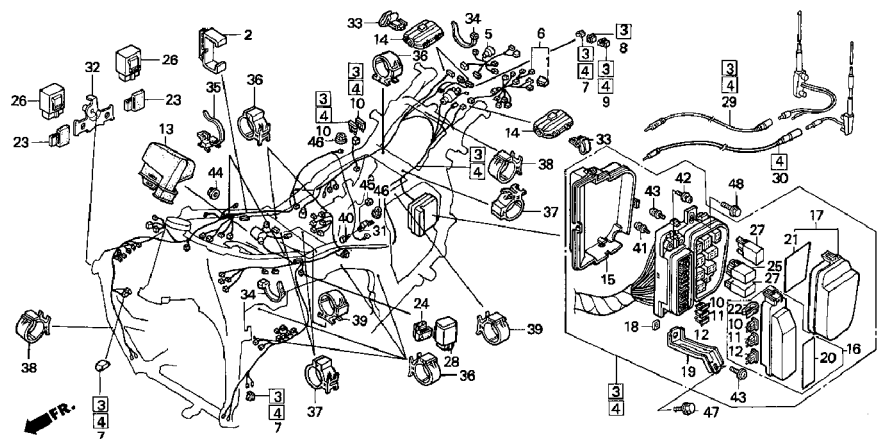
GL1500A/SE/ '94 - '95

Block No.

F 34

Block Title:

WIRE HARNESS - GL1500A/SE



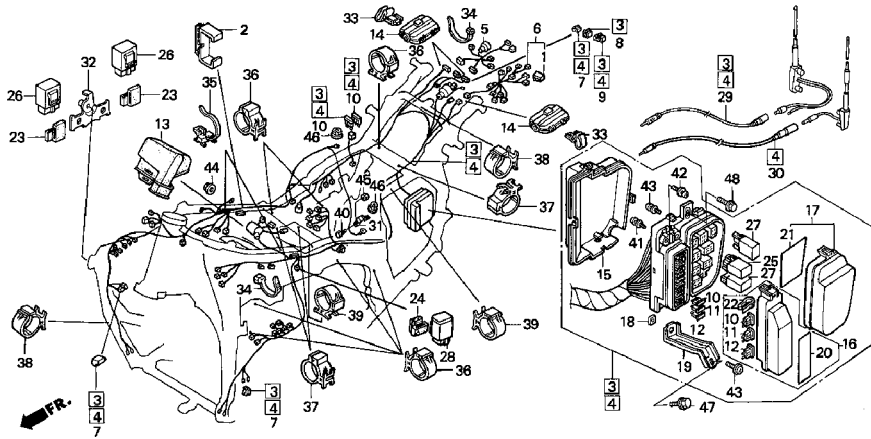
Ref. No.	Part No.	Description
20	38215-MZ3-670	LABEL, FUSE BOX
21	38216-MZ3-670	LABEL, RELAY BOX
22	38235-SA5-003	PULLER, FUSE
23	38306-MF5-770	SUSPENSION - SE'94'95
24	38306-MG9-680	SUSPENSION
25	38360-MN5-003	RELAY COMP. (10A)
26	38365-MN5-811	RELAY COMP. (10A) - SE'94'95
27	38370-MN5-003	RELAY COMP. (20A)
28	38380-MN5-003	RELAY COMP. (20A)
29	39159-MN5-003	SUB-FEEDER, ANTENNA
30	39169-MZ3-770	SUB-FEEDER - SE'94'95
31	39280-MZ3-770	FILTER, ALTERNATOR - SE'94'95
32	50235-MT8-770	STAY - SE'94'95
33	50324-MN5-000	CLAMP
34	90650-MA6-720	BAND, WIRE HARNESS
35	90690-GHB-611	CLIP (25MM)
35	90690-GHB-661	CLIP, CABLE (20MM)
36	90690-GHB-641	CLIP, CABLE (10MM)
37	90690-GHB-651	CLIP, CABLE (15MM)
38	90690-GHB-661	CLIP, CABLE (20MM)
39	90690-GHB-671	CLIP, CABLE (25MM)
40	92101-05018-0A	BOLT, HEX. (5X18) - SE'94'95
41	93893-04008-08	SCREW-WASHER (4X8)
42	93893-04010-08	SCREW-WASHER (4X10)
43	93893-05010-08	SCREW-WASHER (5X10)

Catalog Title:  
**GL1500A/SE/ '94 - '95**

Block No.  
**F 34**

Block Title:  
**WIRE HARNESS - GL1500A/SE**

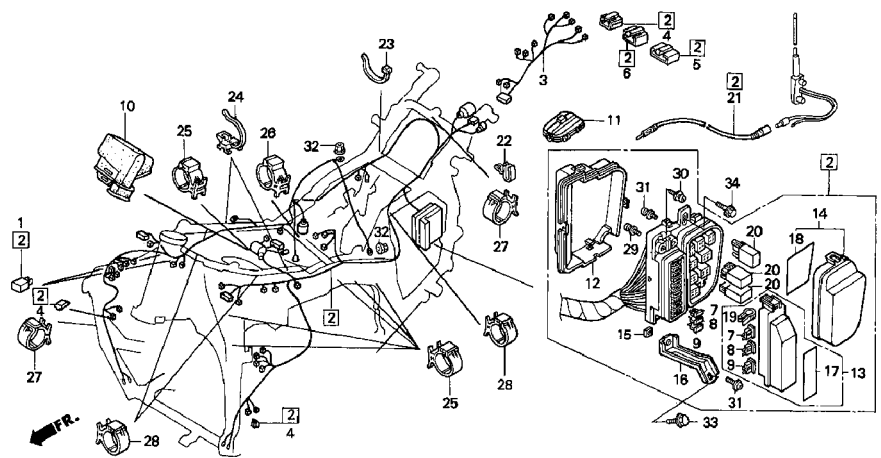
Ref. No.	Part No.	Description
44	94001-04000-0S	NUT, HEX. (4MM)
45	94001-05000-0S	NUT, HEX.(5MM)-0S - SE'94'95
46	94050-06080	NUT, FLANGE (6MM)
47	95701-06008-00	BOLT, FLANGE (6X8)
48	95701-06012-08	BOLT, FLANGE (6X12)



Catalog Title:  
**GL1500A/SE/ '94 - '95**

Block No.  
**F 3401**

Block Title:  
**WIRE HARNESS - GL1500I**



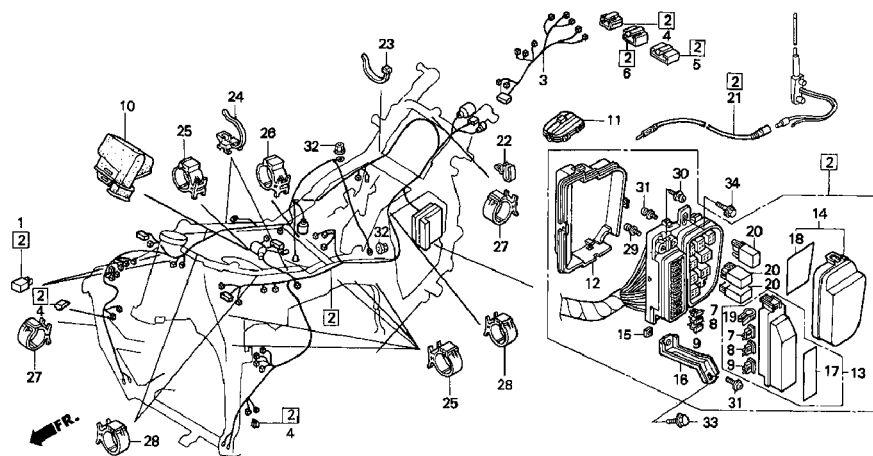
Ref. No.	Part No.	Description
1	31700-124-003	RECTIFIER, SILICON
1	31700-124-008	RECTIFIER, SILICON
2	32100-MZ3-870	WIRE HARNESS
3	32102-MZ3-870	SUB-HARNESS, RR.
4	32136-MN5-003	CVR, CONNECTOR (2P)
5	32137-KB2-003	CVR, CONNECTOR (4P)
6	32138-KB2-003	CVR, CONNECTOR (6P)
7	32501-MT8-003	FUSE (F5)
7	98200-30500	FUSE, BLADE (5A)
8	32503-SM4-003	FUSE (F10)
8	98200-31000	FUSE, BLADE (10A)
9	32504-SM4-003	FUSE (F15)
9	98200-31500	FUSE, BLADE (15A)
10	32814-MN5-010	CVR, RADIO CONNECTOR
11	32815-MN5-003	CASE (22P)
12	38204-MN5-000	COVER (LOWER)
13	38205-MZ3-870	COVER, FUSE BOX
14	38206-MZ3-870	COVER, RELAY BOX
15	38207-MN5-000	NUT, BRACKET (5MM)
16	38208-MN5-000	BRACKET
17	38215-MZ3-870	LABEL, FUSE BOX
18	38216-MZ3-870	LABEL, RELAY BOX
19	38235-SA5-003	PULLER, FUSE
20	38370-MN5-003	RELAY COMP. (20A)
21	39159-MN5-003	SUB-FEEDER, ANTENNA

Catalog Title:  
**GL1500A/SE/ '94 - '95**

Block No.  
**F 3401**

Block Title:  
**WIRE HARNESS - GL1500I**

Ref. No.	Part No.	Description
22	50324-MN5-000	CLAMP
23	90650-MA6-720	BAND, WIRE HARNESS
24	90690-GHB-661	CLIP, CABLE (20MM)
25	90690-GHB-641	CLIP, CABLE (10MM)
26	90690-GHB-651	CLIP, CABLE (15MM)
27	90690-GHB-661	CLIP, CABLE (20MM)
28	90690-GHB-671	CLIP, CABLE (25MM)
29	93893-04008-08	SCREW-WASHER (4X8)
30	93893-04010-08	SCREW-WASHER (4X10)
31	93893-05010-08	SCREW-WASHER (5X10)
32	94050-06080	NUT, FLANGE (6MM)
33	95701-06008-00	BOLT, FLANGE (6X8)
34	95701-06012-08	BOLT, FLANGE (6X12)

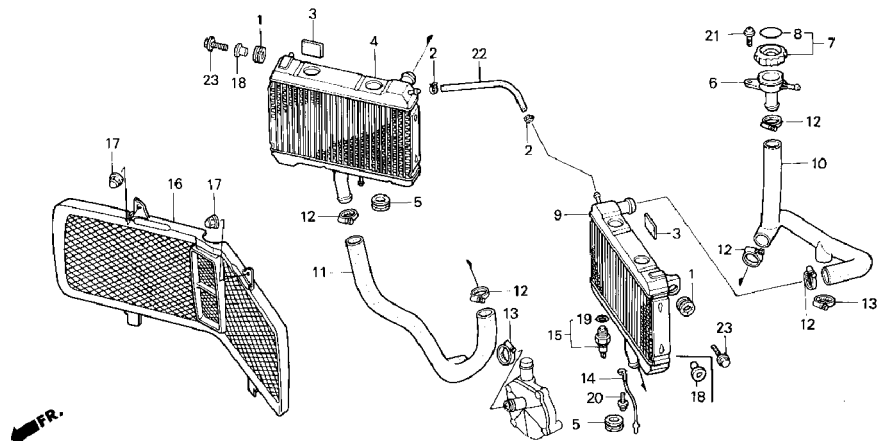


Catalog Title:  
**GL1500A/SE/ '94 - '95**

Block No.  
**F 35**

Block Title:  
**RADIATOR**

Ref. No.	Part No.	Description
1	15604-MG7-000	GROMMET, OIL COOLER
2	16969-MB1-000	CLIP, FUEL HOSE
3	17508-MN5-000	RUBBER, CUSHION
4	19010-MAM-003	RADIATOR COMP., R.
4	19010-MY4-004	RADIATOR COMP., R.
5	19012-HB9-000	RUBBER
6	19039-MN5-003	FILLER, NECK
7	19045-MZ3-300	CAP COMP., RADIATOR
8	19055-MZ3-300	SEAL, RADIATOR CAP
9	19060-MN5-003	RADIATOR COMP., L.
9	19060-MT2-004	RADIATOR COMP., L.
10	19501-MN5-000	HOSE, RADIATOR
11	19502-MN5-000	HOSE, WATER (LOWER)
12	19503-MB1-870	CLAMP, WATER HOSE
13	19515-MJ4-670	CLAMP, WATER HOSE
14	32113-MN5-000	SUB-WIRE
15	37760-MT2-003	SWITCH, THERMOSTAT
16	85400-MZ3-710	GRILLE, RADIATOR - A/SE '94'95
16	85400-MW5-870	GRILLE, RADIATOR - I'94'95
17	90167-MN5-000	NUT, CAP (5MM)
18	90551-MG7-000	COLLAR (.8X11) A/I '94'95
19	91307-PH7-660	O-RING (13.5X1.4)
19	91307-611-000	O-RING (13.5X1.4)
20	93891-04008-18	SCREW-WASHER (4X8)

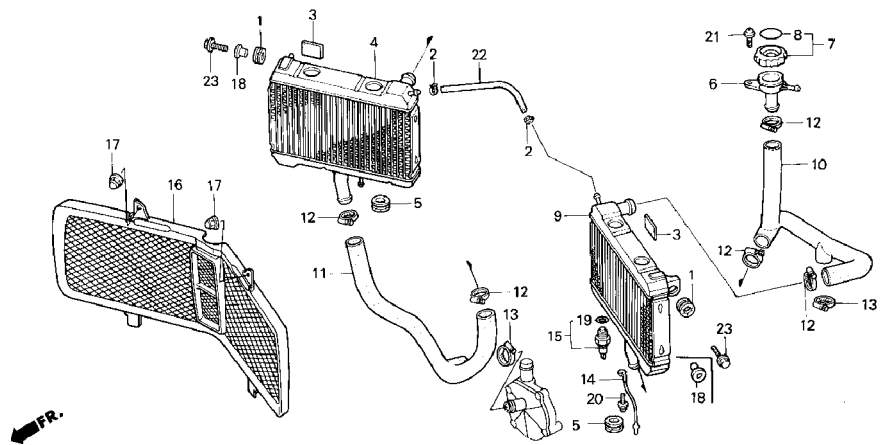


Catalog Title:  
**GL1500A/SE/ '94 - '95**

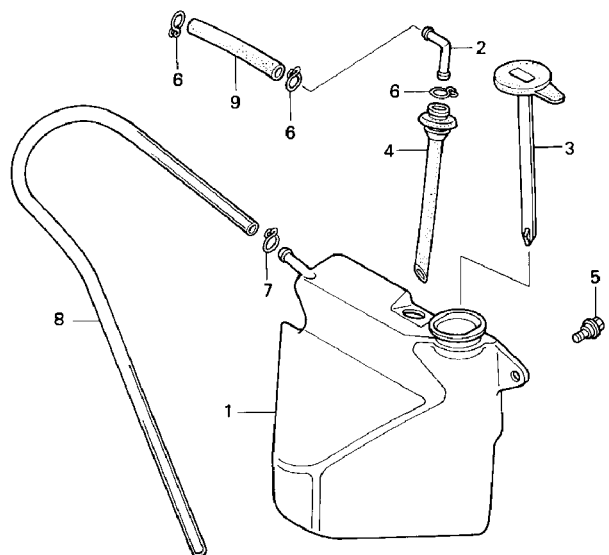
Block No.  
**F 35**

Block Title:  
**RADIATOR**

Ref. No.	Part No.	Description
21	93891-05016-07	SCREW-WASHER (5X16)
22	95001-75008-40M	BULK HOSE (7.5X8000)
23	95701-06020-08	BOLT, FLANGE (6X20)



Ref. No.	Part No.	Description
1	19101-MN5-010	TANK, RESERVE
2	19103-MB9-000	JOINT, TUBE
3	19104-MN5-000	CAP, RESERVE TANK
4	19108-MB0-000	TUBE, LEVEL
5	90109-434-000	BOLT, SPECIAL (6MM)
6	95002-02120	CLIP, TUBE (B12)
7	95002-70000	CLIP, TUBE (C11)
8	95003-19080-20	TUBE (7X11X800)
9	95005-80001-20M	BULK HOSE (8X1000)



Catalog Title:

GL1500A/SE/I '94 - '95

Block No.

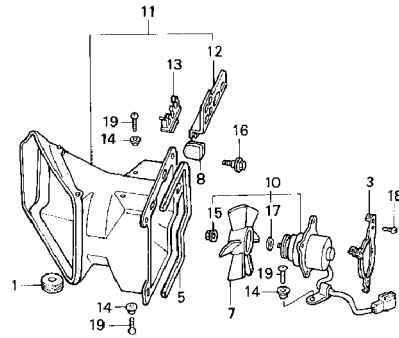
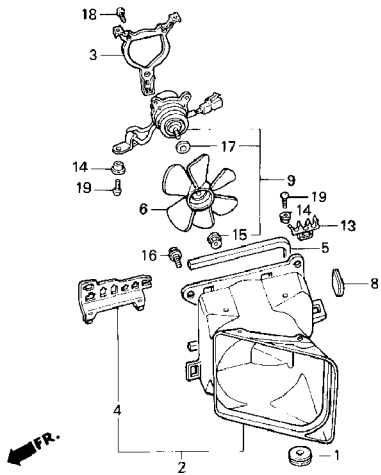
F 37

Block Title:

COOLING FAN

Ref. No.	Part No.	Description
----------	----------	-------------

1	19012-HB9-000	RUBBER
2	19020-MT2-000	SHROUD ASSY., R.
3	19021-MN5-000	STAY, FAN MOTOR
4	19022-MN5-000	HOLDER, R.
5	19023-MN5-300	SEAL, FAN SHROUD
6	19024-MN5-003	FAN, R. COOLING
7	19025-MN5-003	FAN, L. COOLING
8	19027-MN5-000	GROMMET, SHROUD
9	19030-MW5-005	MOTOR ASSY., R. FAN
10	19032-MW5-005	MOTOR ASSY., L. FAN
11	19070-MT8-770	SHROUD ASSY., L.
12	19072-MT8-770	HOLDER, L.
13	32982-MT2-000	CLAMP B
14	61304-397-830	COLLAR
15	90041-PG6-004	NUT, HEX. (5MM)
16	90111-KAE-870	BOLT, RR.
17	90511-MB6-003	WASHER, PLAIN (7MM)
18	93500-04006-0G	SCREW, PAN (4X6)
19	93500-05012-0A	SCREW, PAN (5X12)

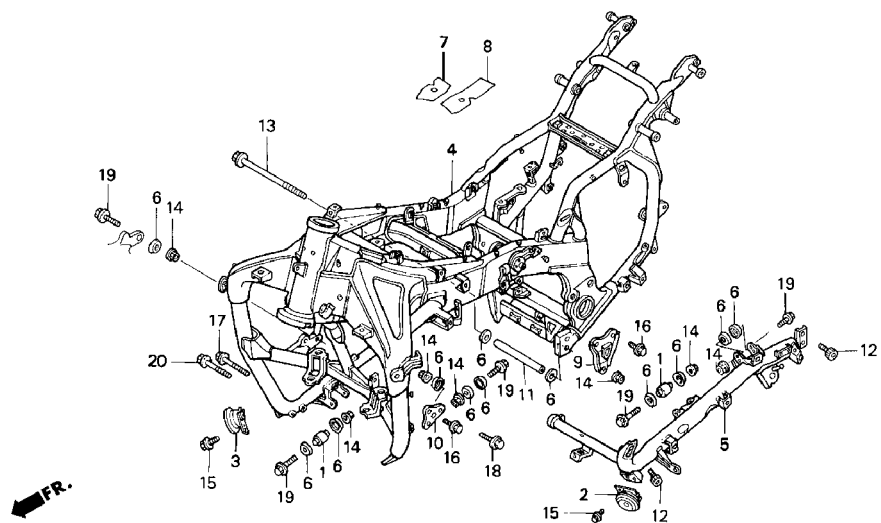


Catalog Title:  
**GL1500A/SE/ '94 - '95**

Block No.  
**F 38**

Block Title:  
**FRAME**

Ref. No.	Part No.	Description
1	11141-MN5-000	BUSH, ENGINE HANGER
2	38110-MN5-003	HORN COMP. (HIGH)
3	38120-MN5-003	HORN COMP. (LOW) - A/SE '94'95
4	50100-MW5-000	FRAME - A/SE'94
4	50100-MW5-740	FRAME - A/SE'94
4	50100-MAM-000	FRAME COMP. - A/SE '94'95
4	50100-MAM-740	FRAME COMP. - A/SE '94'95
4	50100-MAM-880	FRAME COMP. - A/SE '94'95
4	50100-MW5-870	FRAME - I'94
4	50100-MW5-880	FRAME - I'94
4	50100-MAM-870	FRAME COMP. - I'95
5	50150-MY4-000	FRAME, SUB - ALL'94
5	50150-MAM-000	SUB-FRAME COMP. - ALL'95
6	50203-MN5-000	RUBBER C, MOUNTING
7	50310-MT2-000	TAPE, R. (UPPER)
8	50311-MT2-000	TAPE, L. (UPPER)
9	50352-MN5-000	BRKT, L. RR. ENG HGR
9	50352-MT2-740	BRKT, L. RR. ENG HGR
10	50354-MN5-000	BRKT, L. FR. ENG HGR
11	50362-MN5-000	COLLAR B, DISTANCE
12	90106-MN5-000	BOLT, SOCKET (10X28)
13	90152-MN5-000	BOLT (10X310)
14	94050-10080	NUT, FLANGE (10MM)
15	95701-06010-08	BOLT, FLANGE (6X10)

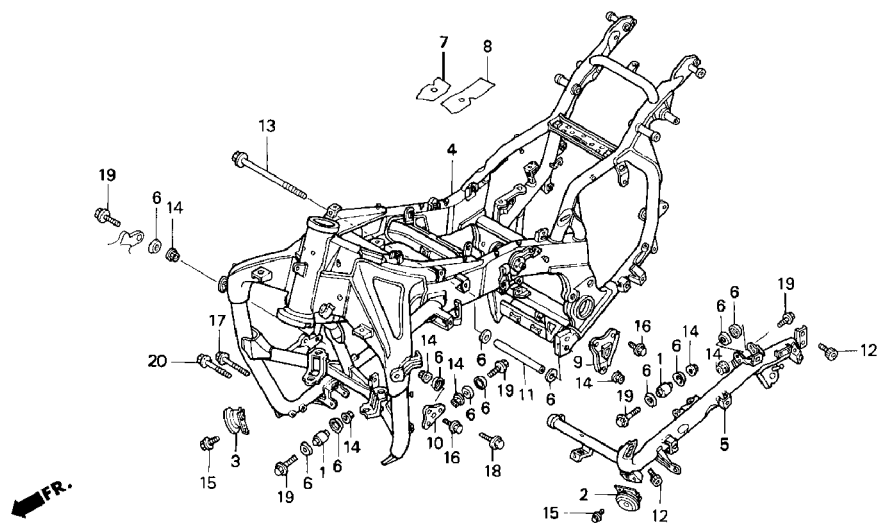


Catalog Title:  
**GL1500A/SE/ '94 - '95**

Block No.  
**F 38**

Block Title:  
**FRAME**

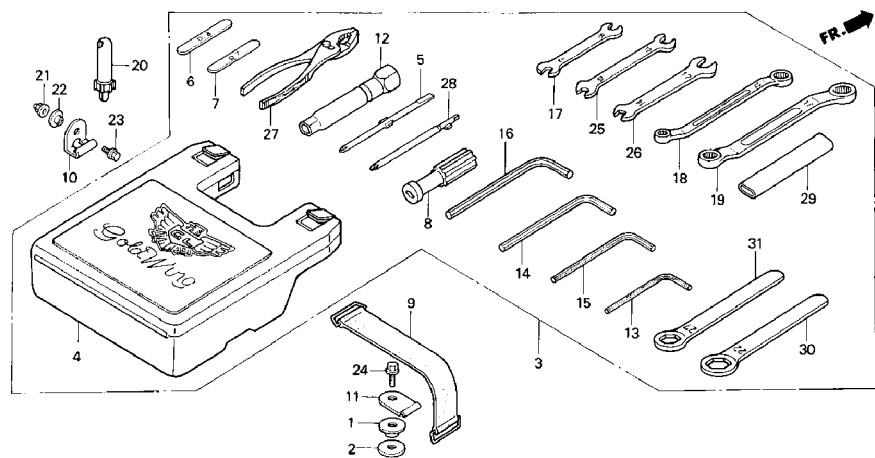
Ref. No.	Part No.	Description
16	95701-08020-08	BOLT, FLANGE (8X20)
17	95701-08080-08	BOLT, FLANGE (8X80)
18	95701-10055-08	BOLT, FLANGE (10X55)
19	95701-10060-08	BOLT, FLANGE (10X60)
20	95701-10070-08	BOLT, FLANGE (10X70)



Catalog Title:  
**GL1500A/SE/ '94 - '95**

Block No.  
**F 39**

Block Title:  
**TOOLS - GL1500A/SE**



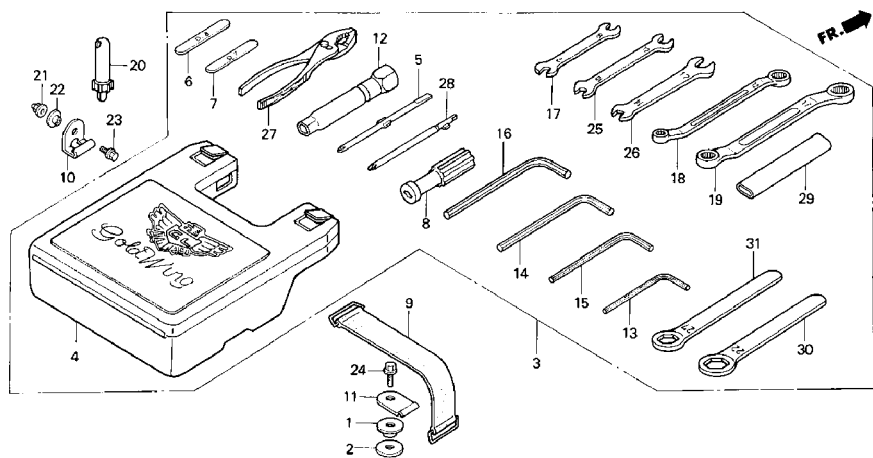
Ref. No.	Part No.	Description
1	81355-MN5-000	COLLAR
2	81356-MN5-000	RUBBER, BAG SETTING
3	89010-MZ3-000	TOOL SET
4	89101-MN5-000	BOX, TOOL
5	89102-538-000	SHAFT
6	89103-MG9-680	GAUGE, FEELER (0.8)
7	89103-371-000	GAUGE (0.7MM)
8	89103-538-000	GRIP
9	89105-MN5-000	BAND, TOOL SETTING
10	89106-MN5-000	STAY, TOOL SETTING
11	89108-MT2-000	PLATE, TOOL SET
12	89216-MB0-000	WRENCH, PLUG
13	89221-KW3-000	WRENCH, HEX. (4MM)
14	89221-371-000	WRENCH, HEX. (6MM)
15	89221-429-000	WRENCH, HEX. (5MM)
16	89222-371-000	WRENCH, HEX. (8MM)
17	89224-MZ3-000	WRENCH (7X8)
18	89227-461-000	WRENCH, EYE (10X12)
19	89228-MR8-000	WRENCH, EYE (14X17)
20	89301-MN5-003	GAUGE, AIR PRESSURE
21	90201-428-900	NUT, CAP (6MM)
21	90308-MT8-000	NUT, CAP (6MM)
22	90512-KF9-900	WASHER (6X20)
23	96001-06012-07	BOLT, FLANGE (6X12)
24	96001-06020-07	BOLT, FLANGE (6X20)

Catalog Title:  
**GL1500A/SE/ '94 - '95**

Block No.  
**F 39**

Block Title:  
**TOOLS - GL1500A/SE**

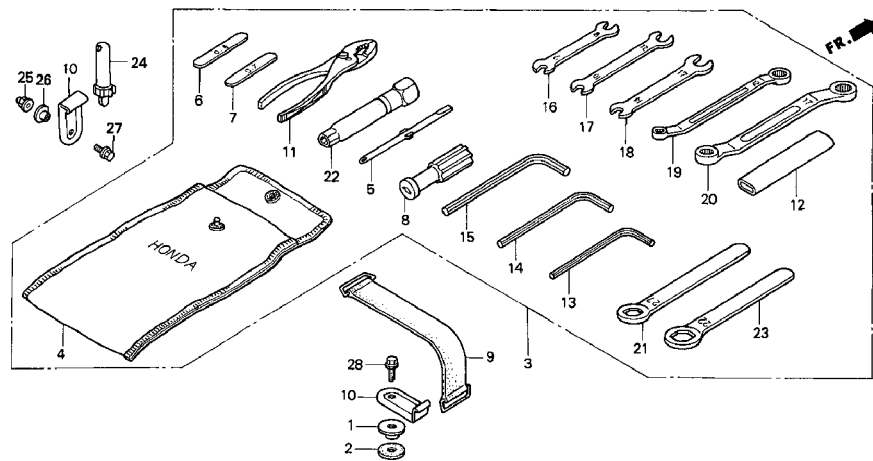
Ref. No.	Part No.	Description
25	99001-10120	SPANNER (10X12)
26	99001-14170	SPANNER (14X17)
27	99002-15000	PLIERS (150)
28	99003-20000	DRIVER 2 (NO.3)
29	99006-12000	HANDLE (12MM)
30	99006-22000	WRENCH, EYE (22MM)
31	99006-27000	WRENCH, EYE (27MM)



Catalog Title:  
**GL1500A/SE/ '94 - '95**

Block No.  
**F 3901**

Block Title:  
**TOOLS - GL1500I**



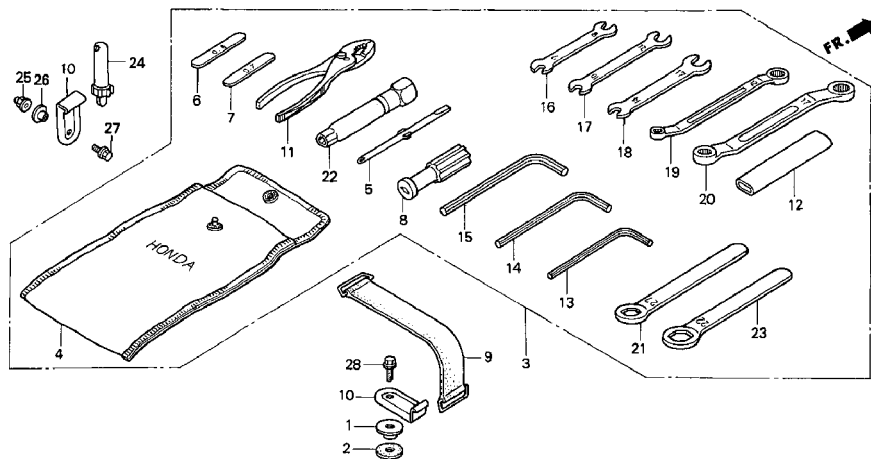
Ref. No.	Part No.	Description
1	81355-MN5-000	COLLAR
2	81356-MN5-000	RUBBER, BAG SETTING
3	89010-MW5-870	TOOL SET
4	89101-ME5-670	BAG, TOOL
4	89101-300-010	BAG, TOOL
4	99008-02000	BAG, TOOL (200MM)
5	89102-MN5-000	SCREWDRIVER 2
6	89103-MG9-680	GAUGE, FEELER (0.8)
7	89103-371-000	GAUGE (0.7MM)
8	89103-538-000	GRIP
9	89105-MN5-000	BAND, TOOL SETTING
10	89108-MT2-000	PLATE, TOOL SET
11	89210-MN5-000	PLIERS (150)
12	89217-MN5-000	HANDLE (12)
13	89221-MJ4-000	WRENCH, HEX. (5MM)
14	89221-422-000	WRENCH, HEX. (6MM)
15	89222-422-000	WRENCH, HEX. (8MM)
16	89224-MN5-000	SPANNER (7X8)
17	89225-MN5-000	SPANNER (10X12)
18	89226-MN5-000	SPANNER (14X17)
19	89227-MN5-000	WRENCH, EYE (10X12)
20	89228-MN5-000	WRENCH, EYE (14X17)
21	89229-MN5-000	EYE WRENCH (27MM)
22	89216-MB0-000	WRENCH, PLUG
22	89250-MN5-000	WRENCH, BOX (P18)

Catalog Title:  
**GL1500A/SE/ '94 - '95**

Block No.  
**F 3901**

Block Title:  
**TOOLS - GL1500I**

Ref. No.	Part No.	Description
23	89255-MN5-000	WRENCH, EYE (22)
24	89301-MN5-003	GAUGE, AIR PRESSURE
25	90201-428-900	NUT, CAP (6MM)
25	90308-MT8-000	NUT, CAP (6MM)
26	90512-KF9-900	WASHER (6X20)
27	96001-06012-07	BOLT, FLANGE (6X12)
28	96001-06020-07	BOLT, FLANGE (6X20)

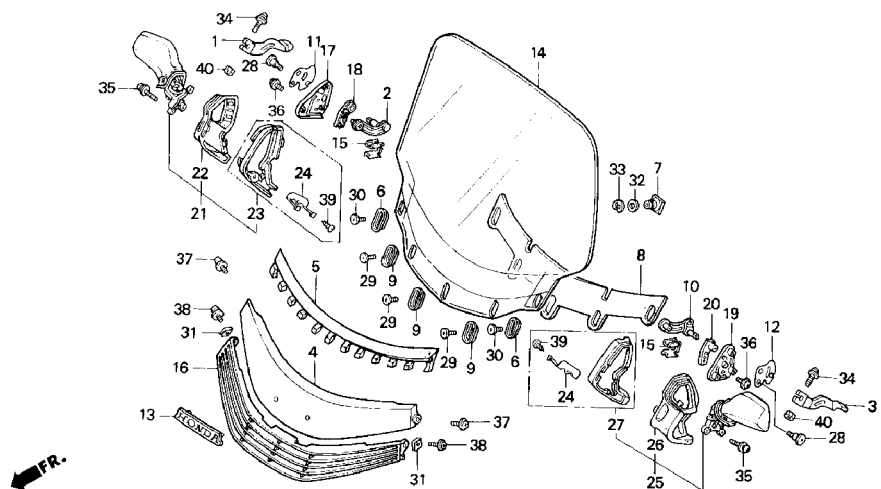


Catalog Title:  
**GL1500A/SE/ '94 - '95**

Block No.  
**F 40**

Block Title:  
**WIND SCREEN - GL1500A/I '94**

Ref. No.	Part No.	Description
1	64107-MT8-000	LEVER, R. - A'94
2	64108-MAM-000	PLATE, R. TENSION - A'94
2	64108-MT8-000	PLATE, R. TENSION - A'94
3	64109-MT8-000	LEVER, L. - A'94
4	64110-MN5-000	GARNISH, SCREEN
5	64111-MT8-000	SEAL, WINDSCREEN
6	64113-MN5-000	PLATE - A'94
6	64116-MN5-000	PLATE -I'94
7	64114-MG9-770	NUT
8	64115-MAM-000	RUBBER, SCREEN
8	64115-MN5-000	RUBBER, SCREEN
9	64116-MN5-000	PLATE
10	64118-MAM-000	PLATE, L. TENSION - A'94
10	64118-MT8-000	PLATE, L. TENSION - A'94
11	64123-MT8-000	PLATE, R. LEVER SIDE - A'94
12	64124-MT8-000	PLATE, L. LEVER SIDE - A'94
13	64125-MT8-000	EMBLEM
14	64130-MW5-000	WINDSCREEN COMP. - A'94
14	64100-MW5-870	WINDSCREEN - -I'94
15	64219-MN5-000	CLIP, SCREEN GUIDE - A'94
16	64260-MN5-000	LOUVER, FR. (UPPER)
17	64531-MN5-000	BASE, R. MIRROR - A'94
17	64531-MW5-870	BASE, R. MIRROR - -I'94
18	64532-MT8-000	PLATE, R. PIVOT - A'94
19	64631-MN5-000	BASE, L. MIRROR - A'94

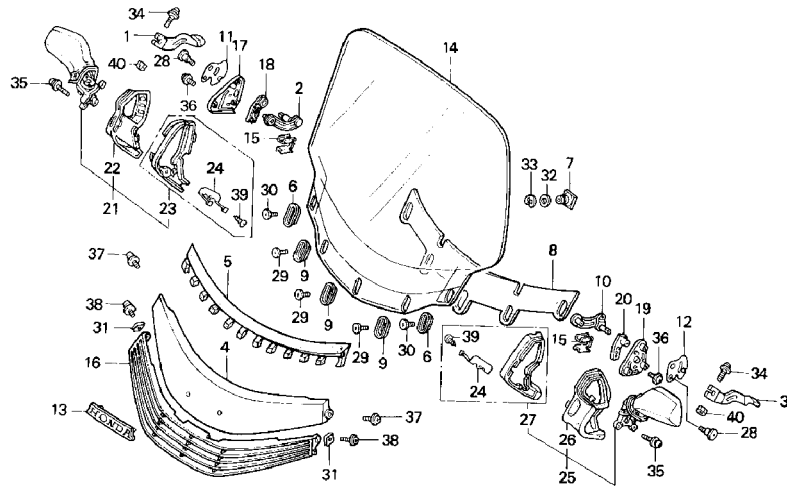


Catalog Title:  
**GL1500A/SE/ '94 - '95**

Block No.  
**F 40**

Block Title:  
**WIND SCREEN - GL1500A/ '94**

Ref. No.	Part No.	Description
19	64631-MW5-870	BASE, L. MIRROR - 'I'94
20	64632-MT8-000	PLATE, L. PIVOT - A'94
21	88110-MT8-000ZF	MIR, R. BACK *NH1Z* - A'94
21	88110-MT8-000ZJ	MIR, R. BACK *R176C* - A'94
21	88110-MT8-000ZS	MIR, R. BACK *B142P* - A'94
21	88110-MW5-870ZA	MIRROR, R. *NH105* -I'94
22	88113-MN5-003	BOOT, R.
23	88114-MN5-003ZJ	BASE, R. *NH1Z* - A'94
23	88114-MN5-003ZP	BASE, R. *R176C* - A'94
23	88114-MN5-003ZY	BASE, R. *B142P* - A'94
23	88114-MN5-003ZN	BASE, R. *NH105* -I'94
24	88119-MN5-000	PLATE, SET
25	88120-MT8-000ZF	MIRROR, L. *NH1Z* - A'94
25	88120-MT8-000ZJ	MIRROR, L. *R176C* - A'94
25	88120-MT8-000ZP	MIRROR, L. *B142P* - A'94
25	88120-MW5-870ZA	MIR *NH105/YR168M* -I'94
26	88123-MN5-003	BOOT, L.
27	88124-MN5-003ZJ	BASE, L. *NH1Z* - A'94
27	88124-MN5-003ZP	BASE, L. *R176C* - A'94
27	88124-MN5-003ZV	BASE, L. *B142P* - A'94
27	88124-MN5-003ZN	BASE, L. *NH105* -I'94
28	90104-KT8-710	SCREW, SPECIAL (6X8)
29	90107-MN5-000	SCREW - A'94
29	90110-GW0-000	SCREW (6X14) -I'94
30	90107-MT2-000	SCREW (6X12) -I'94

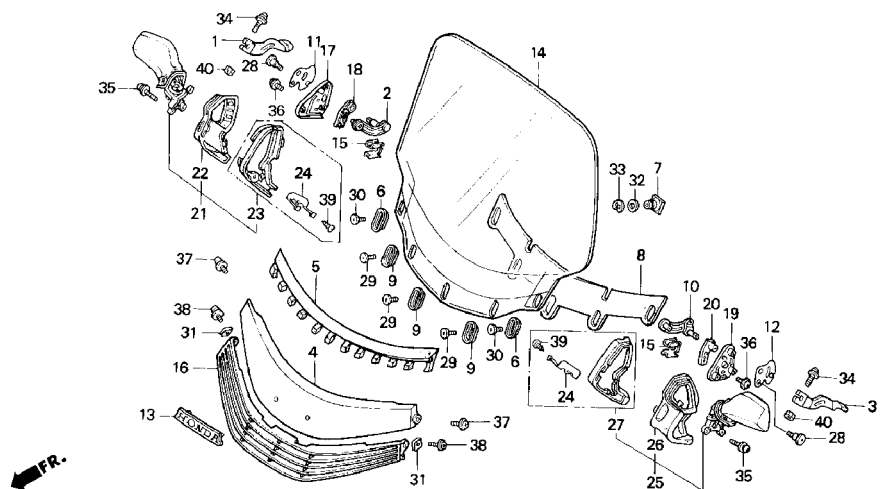


Catalog Title:  
**GL1500A/SE/ '94 - '95**

Block No.  
**F 40**

Block Title:  
**WIND SCREEN - GL1500A/I '94**

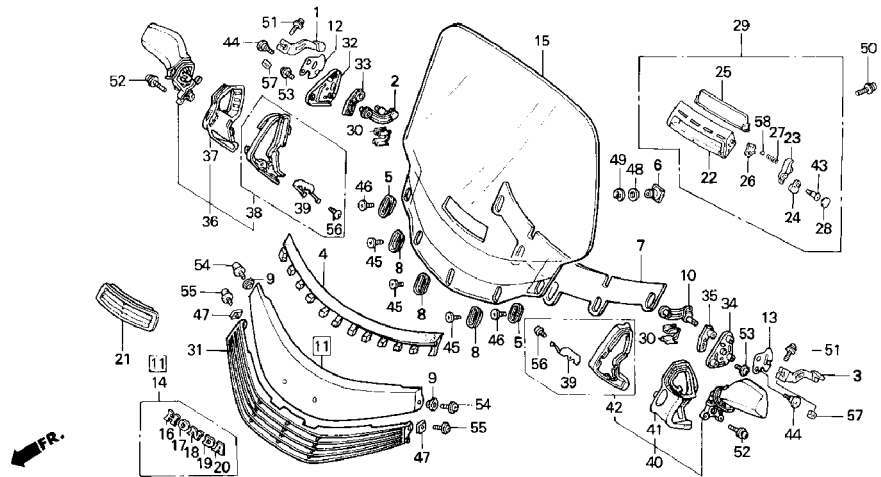
Ref. No.	Part No.	Description
30	90110-GW0-000	SCREW (6X14) -I'94
31	90305-MN5-000	NUT, PLATE (5MM)
32	90501-MT2-000	WASHER
33	90601-473-003	E-RING (8MM)
34	93891-05022-07	SCREW-WASHER (5X22) - A'94
35	93891-05028-08	SCREW-WASHER (5X28)
36	93893-05012-08	SCREW-WASHER (5X12) - A'94
36	93893-05012-18	SCREW-WASHER (5X12) - A'94
37	93894-05012-08	SCREW-WASHER (5X12) - A'94
37	93894-05012-18	SCREW-WASHER (5X12) - A'94
37	90107-MM5-000	SCREW, PAN (6X14) -I'94
38	93894-05016-07	SCREW-WASHER (5X16)
39	93901-24280	SCREW, TAP (4X10)
40	94001-05080-0S	NUT, HEX. (5MM) - A'94



Catalog Title:  
**GL1500A/SE/ '94 - '95**

Block No.  
**F 4001**

Block Title:  
**WIND SCREEN - GL1500SE '94**

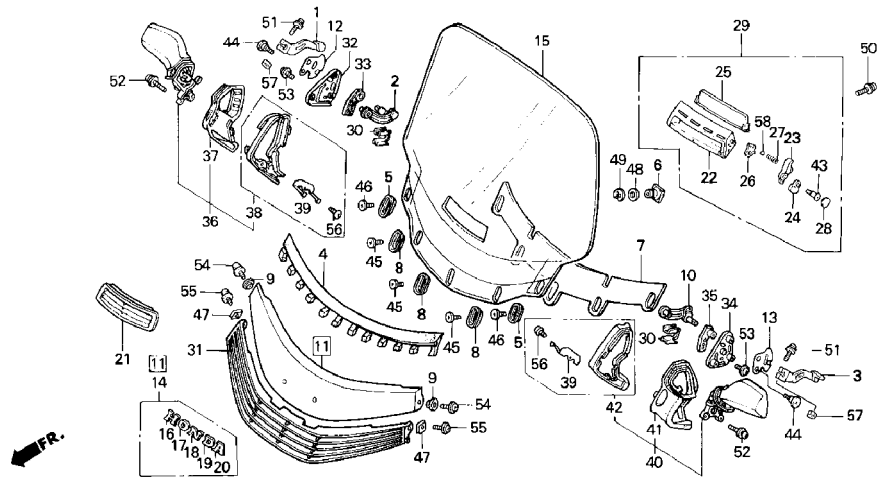


Ref. No.	Part No.	Description
1	64107-MT8-000	LEVER, R.
2	64108-MAM-000	PLATE, R. TENSION
2	64108-MT8-000	PLATE, R. TENSION
3	64109-MT8-000	LEVER, L.
4	64111-MT8-000	SEAL, WINDSCREEN
5	64113-MN5-000	PLATE
6	64114-MG9-770	NUT
7	64115-MAM-000	RUBBER, SCREEN
7	64115-MN5-000	RUBBER, SCREEN
8	64116-MN5-000	PLATE
9	64117-MW5-000	COLR, SCREEN GARNISH
10	64118-MAM-000	PLATE, L. TENSION
10	64118-MT8-000	PLATE, L. TENSION
11	64120-MY4-770	GARNISH, SCREEN
12	64123-MT8-000	PLATE, R. LEVER SIDE
13	64124-MT8-000	PLATE, L. LEVER SIDE
14	64125-MAM-000	EMBLEM, FR.
14	64125-MT8-770	EMBLEM, FR.
15	64130-MW5-770	WINDSCREEN COMP.
16	64142-MAM-000	EMBLEM, FR.
16	64142-MT8-770	EMBLEM, FR.
17	64143-MT8-770	EMBLEM, FR.
18	64144-MT8-770	EMBLEM, FR.
19	64145-MT8-770	EMBLEM, FR.
20	64146-MT8-770	EMBLEM, FR.

Catalog Title:  
**GL1500A/SE/ '94 - '95**

Block No.  
**F 4001**

Block Title:  
**WIND SCREEN - GL1500SE '94**



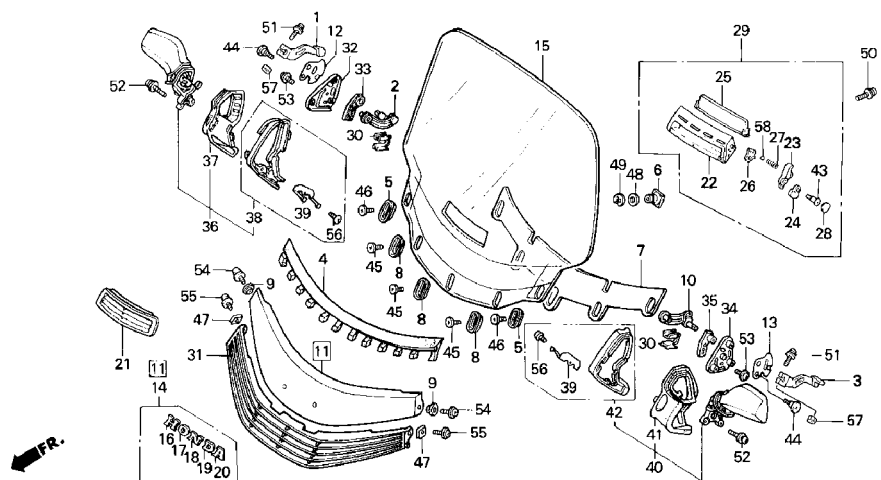
Ref. No.	Part No.	Description
21	64150-MT8-770	GRILLE
21	64150-MT8-771	GRILLE
22	64155-MY4-770	VISOR
23	64157-MT8-770	LEVER
24	64158-MT8-770	COVER
25	64160-MT8-770	LID
26	64166-MT8-770	PLATE, LEVER CLICK
27	64167-MT8-770	SPRING, LEVER CLICK
28	64168-MT8-770	PLATE, COVER
29	64170-MY4-770	VISOR, FRESH AIR
29	64170-MY4-771	VISOR, FRESH AIR
30	64219-MN5-000	CLIP, SCREEN GUIDE
31	64260-MW5-770	LOUVER, FR. (UPPER)
32	64531-MN5-000	BASE, R. MIRROR
33	64532-MT8-000	PLATE, R. PIVOT
34	64631-MN5-000	BASE, L. MIRROR
35	64632-MT8-000	PLATE, L. PIVOT
36	88110-MT8-000ZJ	MIR, R. BACK *R176C*
36	88110-MT8-000ZM	MIR, R. *NH326P*
36	88110-MT8-000ZR	MIR, R. *BG101P*
36	88110-MT8-000ZS	MIR, R. BACK *B142P*
37	88113-MN5-003	BOOT, R.
38	88114-MN5-003ZP	BASE, R. *R176C*
38	88114-MN5-003ZT	BASE, R. *NH326P*
38	88114-MN5-003ZX	BASE, R. *BG101P*

Catalog Title:  
**GL1500A/SE/ '94 - '95**

Block No.  
**F 4001**

Block Title:  
**WIND SCREEN - GL1500SE '94**

Ref. No.	Part No.	Description
38	88114-MN5-003ZY	BASE, R. *B142P*
39	88119-MN5-000	PLATE, SET
40	88120-MT8-000ZJ	MIRROR, L. *R176C*
40	88120-MT8-000ZM	MIRROR, L. *NH326P*
40	88120-MT8-000ZP	MIRROR, L. *B142P*
40	88120-MT8-000ZQ	MIRROR, L. *BG101P*
41	88123-MN5-003	BOOT, L.
42	88124-MN5-003ZP	BASE, L. *R176C*
42	88124-MN5-003ZT	BASE, L. *NH326P*
42	88124-MN5-003ZV	BASE, L. *B142P*
42	88124-MN5-003ZW	BASE, L. *BG101P*
43	90101-GE0-000	SCREW, HINGE PATCH
44	90104-KT8-710	SCREW, SPECIAL (6X8)
45	90107-MN5-000	SCREW
46	90107-MT2-000	SCREW (6X12)
47	90305-MN5-000	NUT, PLATE (5MM)
48	90501-MT2-000	WASHER
49	90601-473-003	E-RING (8MM)
50	93891-04012-07	SCREW-WASHER (4X12)
51	93891-05022-07	SCREW-WASHER (5X22)
52	93891-05028-08	SCREW-WASHER (5X28)
53	93893-05012-08	SCREW-WASHER (5X12)
53	93893-05012-18	SCREW-WASHER (5X12)
54	93894-05012-08	SCREW-WASHER (5X12)
54	93894-05012-18	SCREW-WASHER (5X12)

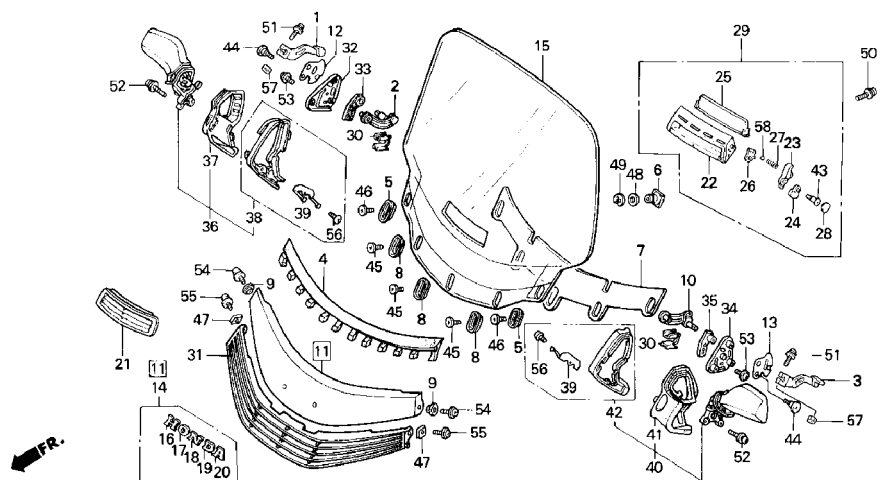


Catalog Title:  
**GL1500A/SE/ '94 - '95**

Block No.  
**F 4001**

Block Title:  
**WIND SCREEN - GL1500SE '94**

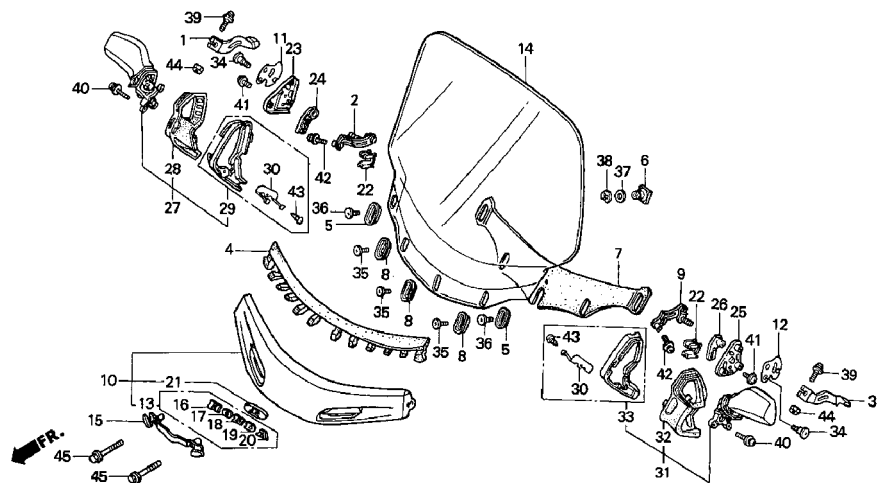
Ref. No.	Part No.	Description
55	93894-05016-07	SCREW-WASHER (5X16)
56	93901-24280	SCREW, TAP (4X10)
57	94001-05080-0S	NUT, HEX. (5MM)
58	96211-06000	BALL (#6) (3/16)



Catalog Title:  
**GL1500A/SE/ '94 - '95**

Block No.  
**F 4002**

Block Title:  
**WIND SCREEN - GL1500A/I '95**

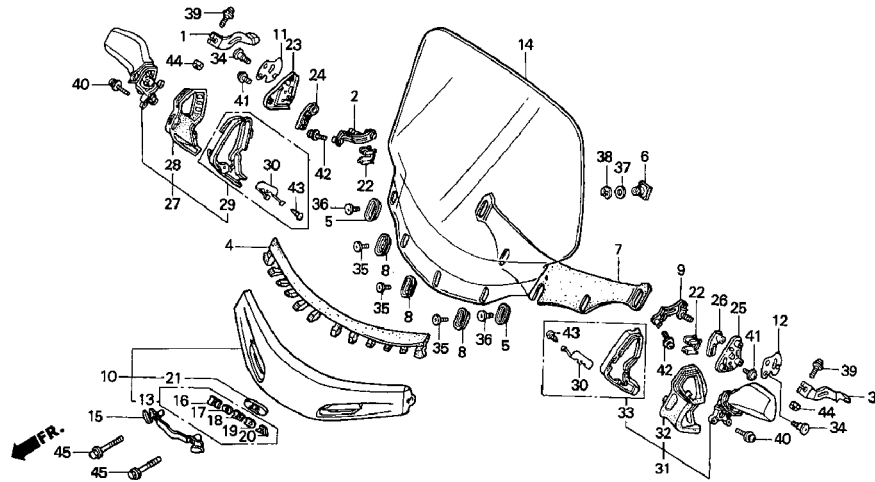


Ref. No.	Part No.	Description
1	64107-MT8-000	LEVER, R. - A'95
2	64108-MAM-000	PLATE, R. TENSION - A'95
3	64109-MT8-000	LEVER, L. - A'95
4	64111-MAM-000	SEAL, WINDSCREEN
5	64113-MN5-000	PLATE - A'95
5	64116-MN5-000	PLATE - I'95
6	64114-MG9-770	NUT
7	64115-MAM-000	RUBBER, SCREEN
8	64116-MN5-000	PLATE
9	64118-MAM-000	PLATE, L. TENSION - A'95
10	64120-MAM-000	GARNISH SET, SCREEN
11	64123-MT8-000	PLATE, R. LEVER SIDE - A'95
12	64124-MT8-000	PLATE, L. LEVER SIDE - A'95
13	64125-MAM-000	EMBLEM, FR.
14	64130-MAM-000	WINDSCREEN COMP. - A'95
14	64100-MAM-870	WINDSCREEN - I'95
15	64135-MAM-000	STAY
16	64142-MAM-000	EMBLEM, FR.
17	64143-MT8-770	EMBLEM, FR.
18	64144-MT8-770	EMBLEM, FR.
19	64145-MT8-770	EMBLEM, FR.
20	64146-MAM-000	EMBLEM, FR.
21	64160-MAM-000	EMBLEM, FR. GARNISH
22	64219-MN5-000	CLIP, SCREEN GUIDE - A'95
23	64531-MN5-000	BASE, R. MIRROR - A'95

Catalog Title:  
**GL1500A/SE/ '94 - '95**

Block No.  
**F 4002**

Block Title:  
**WIND SCREEN - GL1500A/ '95**



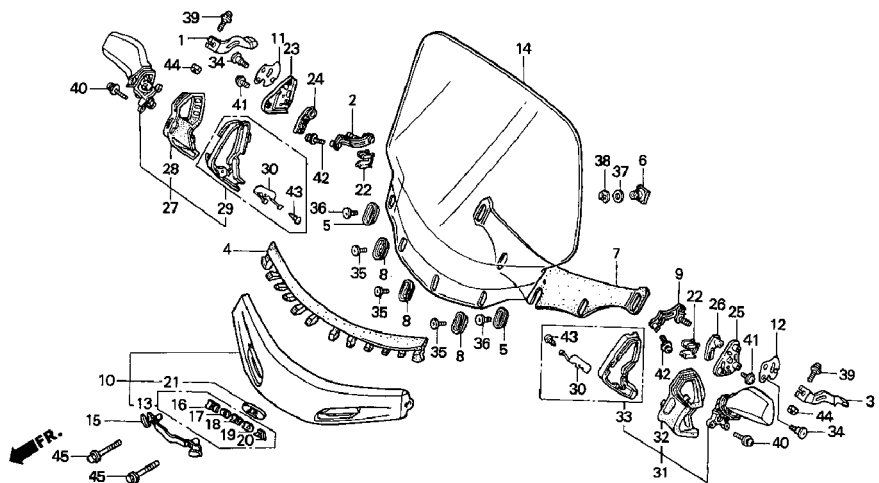
Ref. No.	Part No.	Description
23	64531-MW5-870	BASE, R. MIRROR - I'95
24	64532-MT8-000	PLATE, R. PIVOT - A'95
25	64631-MN5-000	BASE, L. MIRROR - A'95
25	64631-MW5-870	BASE, L. MIRROR - I'95
26	64632-MT8-000	PLATE, L. PIVOT - A'95
27	88110-MT8-000ZJ	MIR, R. BACK *R176C* - A'95
27	88110-MT8-000ZT	MIR, R. BACK *G156P* - A'95
27	88110-MT8-000ZU	MIR, R. *RP151P* - A'95
27	88110-MW5-870ZA	MIRROR, R. *NH105* - I'95
28	88113-MN5-003	BOOT, R.
29	88114-MN5-003YA	BASE, R. *G156P* - A'95
29	88114-MN5-003YB	BASE, R. *RP151P* - A'95
29	88114-MN5-003ZP	BASE, R. *R176C* - A'95
29	88114-MN5-003ZN	BASE, R. *NH105* - I'95
30	88119-MN5-000	PLATE, SET
31	88120-MT8-000ZJ	MIRROR, L. *R176C* - A'95
31	88120-MT8-000ZR	MIRROR, L. *G156P* - A'95
31	88120-MT8-000ZS	MIRROR, L. *RP151P* - A'95
31	88120-MW5-870ZA	MIR *NH105/YR168M* - I'95
32	88123-MN5-003	BOOT, L.
33	88124-MN5-003ZP	BASE, L. *R176C* - A'95
33	88124-MN5-003ZX	BASE, L. *G156P* - A'95
33	88124-MN5-003ZY	BASE, L. *RP151P* - A'95
33	88124-MN5-003ZN	BASE, L. *NH105* - I'95
34	90104-KT8-710	SCREW, SPECIAL (6X8) - A'95

Catalog Title:  
**GL1500A/SE/ '94 - '95**

Block No.  
**F 4002**

Block Title:  
**WIND SCREEN - GL1500A/ '95**

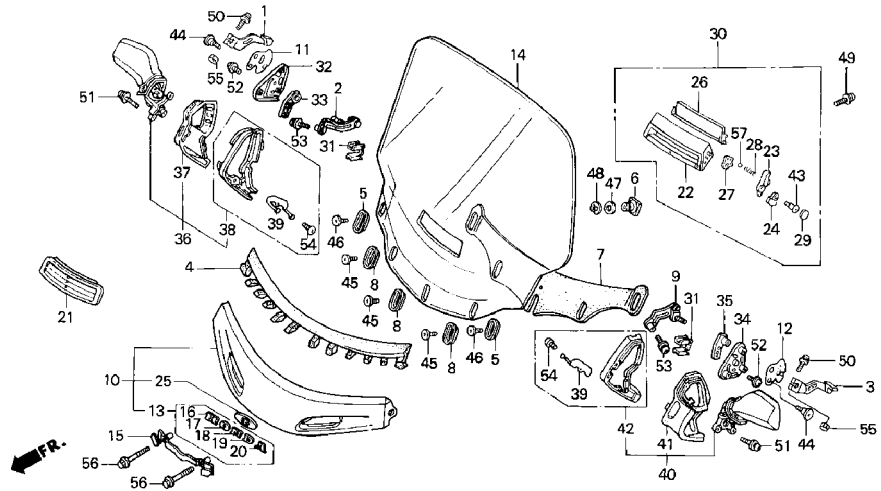
Ref. No.	Part No.	Description
34	93894-06020-0H	SCREW-WASHER (6X20) I'95
34	93894-06020-08	SCREW-WASHER (6X20) I'95
35	90107-MN5-000	SCREW A'95
35	90110-GW0-000	SCREW (6X14) I'95
36	90107-MT2-000	SCREW (6X12) - A'95
36	90110-GW0-000	SCREW (6X14) - I'95
37	90501-MT2-000	WASHER
38	90601-473-003	E-RING (8MM)
39	93891-05022-07	SCREW-WASHER (5X22) - A'95
40	93891-05028-08	SCREW-WASHER (5X28)
41	93893-05012-08	SCREW-WASHER (5X12) - A'95
41	93893-05012-18	SCREW-WASHER (5X12) - A'95
42	93894-05012-08	SCREW-WASHER (5X12) - A'95
42	93894-05012-18	SCREW-WASHER (5X12) - A'95
43	93901-24280	SCREW, TAP (4X10)
44	94001-05080-0S	NUT, HEX. (5MM) - A'95
45	95801-06055-08	BOLT, FLANGE (6X55)



Catalog Title:  
**GL1500A/SE/ '94 - '95**

Block No.  
**F 4003**

Block Title:  
**WIND SCREEN - GL1500SE '95**

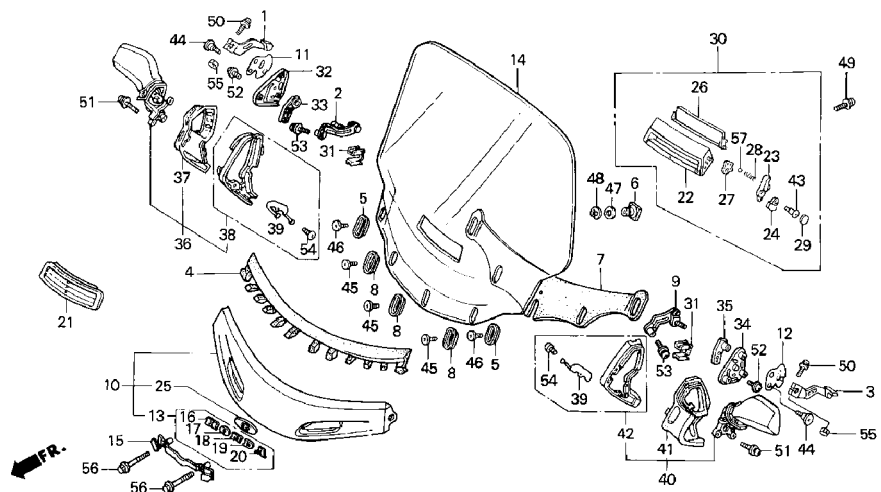


Ref. No.	Part No.	Description
1	64107-MT8-000	LEVER, R.
2	64108-MAM-000	PLATE, R. TENSION
3	64109-MT8-000	LEVER, L.
4	64111-MAM-000	SEAL, WINDSCREEN
5	64113-MN5-000	PLATE
6	64114-MG9-770	NUT
7	64115-MAM-000	RUBBER, SCREEN
8	64116-MN5-000	PLATE
9	64118-MAM-000	PLATE, L. TENSION
10	64120-MAM-000	GARNISH SET, SCREEN
11	64123-MT8-000	PLATE, R. LEVER SIDE
12	64124-MT8-000	PLATE, L. LEVER SIDE
13	64125-MAM-000	EMBLEM, FR.
14	64130-MAM-770	WINDSCREEN COMP.
14	64130-MAM-771	WINDSCREEN COMP.
15	64135-MAM-000	STAY
16	64142-MAM-000	EMBLEM, FR.
17	64143-MT8-770	EMBLEM, FR.
18	64144-MT8-770	EMBLEM, FR.
19	64145-MT8-770	EMBLEM, FR.
20	64146-MAM-000	EMBLEM, FR.
21	64150-MT8-770	GRILLE
21	64150-MT8-771	GRILLE
22	64155-MY4-770	VISOR
23	64157-MT8-770	LEVER

Catalog Title:  
**GL1500A/SE/ '94 - '95**

Block No.  
**F 4003**

Block Title:  
**WIND SCREEN - GL1500SE '95**

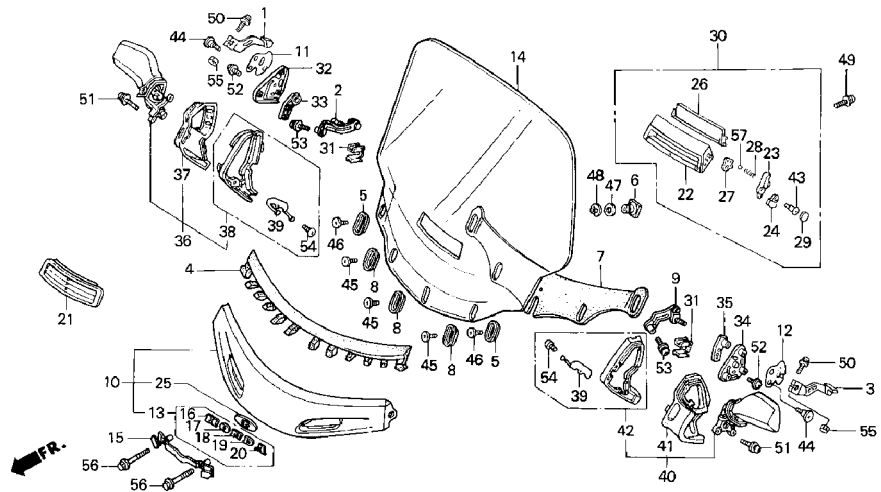


Ref. No.	Part No.	Description
24	64158-MT8-770	COVER
25	64160-MAM-000	EMBLEM, FR. GARNISH
26	64160-MT8-770	LID
27	64166-MT8-770	PLATE, LEVER CLICK
28	64167-MT8-770	SPRING, LEVER CLICK
29	64168-MT8-770	PLATE, COVER
30	64170-MY4-770	VISOR, FRESH AIR
30	64170-MY4-771	VISOR, FRESH AIR
31	64219-MN5-000	CLIP, SCREEN GUIDE
32	64531-MN5-000	BASE, R. MIRROR
33	64532-MT8-000	PLATE, R. PIVOT
34	64631-MN5-000	BASE, L. MIRROR
35	64632-MT8-000	PLATE, L. PIVOT
36	88110-MT8-000ZJ	MIR, R. BACK *R176C*
36	88110-MT8-000ZM	MIR, R. *NH326P*
36	88110-MT8-000ZT	MIR, R. BACK *G156P*
36	88110-MT8-000ZU	MIR, R. *RP151P*
37	88113-MN5-003	BOOT, R.
38	88114-MN5-003YA	BASE, R. *G156P*
38	88114-MN5-003YB	BASE, R. *RP151P*
38	88114-MN5-003ZP	BASE, R. *R176C*
38	88114-MN5-003ZT	BASE, R. *NH326P*
39	88119-MN5-000	PLATE, SET
40	88120-MT8-000ZJ	MIRROR, L. *R176C*
40	88120-MT8-000ZM	MIRROR, L. *NH326P*

Catalog Title:  
**GL1500A/SE/ '94 - '95**

Block No.  
**F 4003**

Block Title:  
**WIND SCREEN - GL1500SE '95**

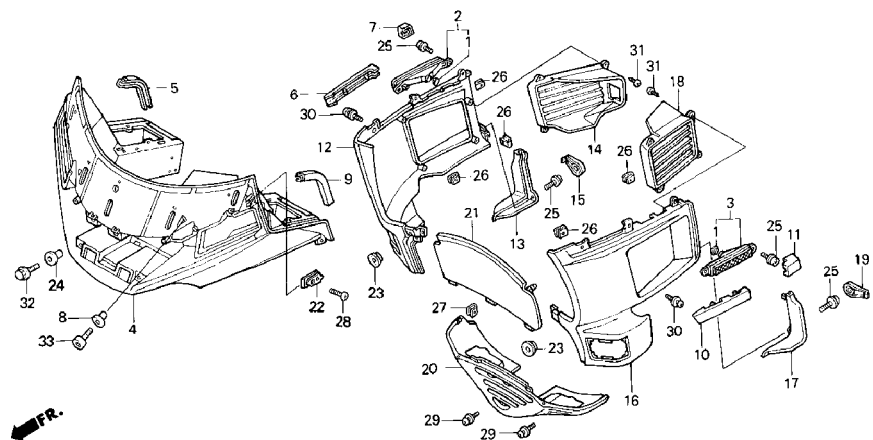


Ref. No.	Part No.	Description
40	88120-MT8-000ZR	MIRROR, L. *G156P*
40	88120-MT8-000ZS	MIRROR, L. *RP151P*
41	88123-MN5-003	BOOT, L.
42	88124-MN5-003ZP	BASE, L. *R176C*
42	88124-MN5-003ZT	BASE, L. *NH326P*
42	88124-MN5-003ZX	BASE, L. *G156P*
42	88124-MN5-003ZY	BASE, L. *RP151P*
43	90101-GE0-000	SCREW, HINGE PATCH
44	90104-KT8-710	SCREW, SPECIAL (6X8)
45	90107-MN5-000	SCREW
46	90107-MT2-000	SCREW (6X12)
47	90501-MT2-000	WASHER
48	90601-473-003	E-RING (8MM)
49	93891-04012-07	SCREW-WASHER (4X12)
50	93891-05022-07	SCREW-WASHER (5X22)
51	93891-05028-08	SCREW-WASHER (5X28)
52	93893-05012-08	SCREW-WASHER (5X12)
52	93893-05012-18	SCREW-WASHER (5X12)
53	93894-05012-08	SCREW-WASHER (5X12)
53	93894-05012-18	SCREW-WASHER (5X12)
54	93901-24280	SCREW, TAP (4X10)
55	94001-05080-0S	NUT, HEX. (5MM)
56	95801-06055-08	BOLT, FLANGE (6X55)
57	96211-06000	BALL (#6) (3/16)

Catalog Title:  
**GL1500A/SE/ '94 - '95**

Block No.  
**F 41**

Block Title:  
**FAIRING**

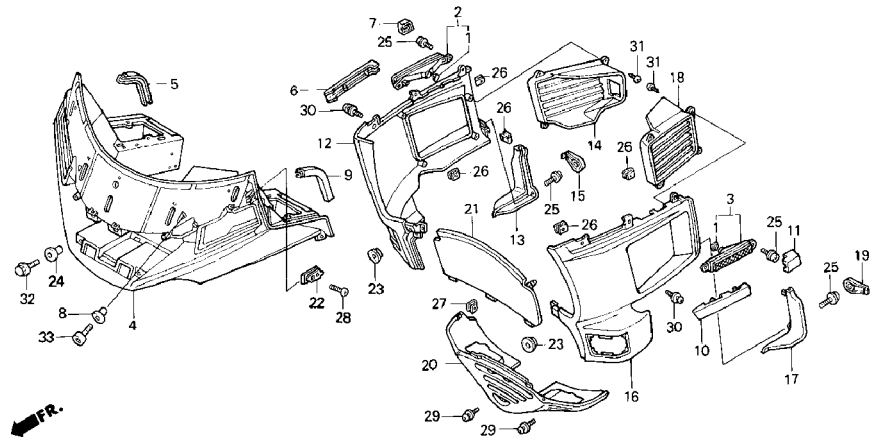


Ref. No.	Part No.	Description
1	33710-MM5-711	GROMMET
2	33740-MAM-A62	REFLECTOR, R. FR.
2	33740-MN5-013	LAMP, R. FR.
3	33745-MAM-A62	REFLECTOR SET, FR.
3	33745-MN5-013	LAMP, L. FR.
4	64200-MT8-000ZD	FAIRING COMP. *NH1Z* - A/I'94
4	64200-MT8-000ZM	FAIRING *B142P* - A/I'94
4	64200-MT8-000ZF	FAIRING *R176C* - A/I'94'95
4	64200-MT8-000ZQ	FAIRING *RP151P* - A'95
4	64200-MT8-000ZP	FAIRING *G156P* - A/I'95
4	64210-MAF-770ZE	FAIRING SET *BG101P* - SE '94
4	64210-MAF-770ZF	FAIRING SET *B142P* - SE '94
4	64200-MT8-000ZJ	FAIRING *NH326P* - SE '94'95
4	64210-MAF-770ZG	FAIRING SET (TYPE7) - SE '94'95
4	64210-MAM-A70ZD	FAIRING SET *R176C* - SE '94'95
4	64210-MAM-D80ZE	FAIRING SET *R176C* - SE '94'95
4	64210-MAM-L70ZE	FAIRING SET *R176K* - SE '94'95
4	64210-MAM-770ZD	FAIRING SET *R176C* - SE '95
4	64210-MAM-770ZE	FAIRING SET *RP151P* - SE '95
4	64210-MAM-770ZF	FAIRING SET *G156P* - SE '95
5	64204-MN5-000ZJ	MOLDING, R. *NH1Z* - A/I '94
5	64204-MN5-000ZT	MOLDING, R. *B142P* - ALL '94
5	64204-MN5-000ZN	MOLDING, R. *R176C*
5	64204-MN5-000ZW	MOLDING, R. *RP151P* - A/SE'95
5	64204-MN5-000ZV	MOLDING, R. *G156P* - ALL '95

Catalog Title:  
**GL1500A/SE/I '94 - '95**

Block No.  
**F 41**

Block Title:  
**FAIRING**

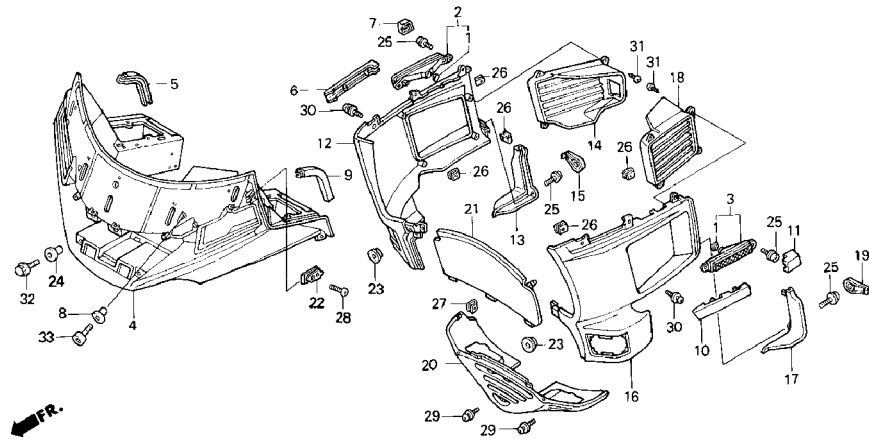


Ref. No.	Part No.	Description
5	64204-MN5-000ZU	MOLDING, R. *BG101P* SE'94
5	64204-MN5-000ZQ	MOLDING, R. *NH326P* SE'94'95
6	64205-MN5-000	MOLDING, R. FR. SIDE
7	64206-MN5-000	MOLDING, R. RR. SIDE
8	64209-MN5-000	COLLAR
9	64214-MN5-000ZJ	MOLDING, L. *NH1Z* - A/I'94
9	64214-MN5-000ZT	MOLDING, L. *B142P* - ALL '94
9	64214-MN5-000ZN	MOLDING, L. *R176C*
9	64214-MN5-000ZW	MOLDING, L. *RP151P* - A/SE'95
9	64214-MN5-000ZV	MOLDING, L. *G156P* - ALL '95
9	64214-MN5-000ZU	MOLDING, L. *BG101P* - SE'94
9	64214-MN5-000ZQ	MOLDING, L. *NH326P* - SE'94'95
10	64215-MN5-000	MOLDING, L. FR. SIDE
11	64216-MN5-000	MOLDING, L. RR. SIDE
12	64280-MN5-000ZH	COWL, R. *NH1Z* - A/I'94
12	64280-MN5-000ZR	COWL, R. *B142P* - A/I'94
12	64280-MN5-000ZM	COWL, R. *R176C* - A/I'94'95
12	64280-MN5-000ZV	COWL, R. *RP151P* - A'95
12	64280-MN5-000ZU	COWL, R. *G156P* - A/I'95
12	64280-MT8-770ZH	COWL, R. *BG101P* - SE'94
12	64280-MT8-770ZJ	COWL, R. *B142P* - SE'94
12	64280-MT8-770ZF	COWL, R. *NH326P* - SE'94'95
12	64280-MT8-770ZK	COWL, R. *R176C* - SE'94'95
12	64280-MT8-770ZL	COWL, R. *G156P* - SE'95
12	64280-MT8-770ZM	COWL, R. *RP151P* - SE'95

Catalog Title:  
**GL1500A/SE/I '94 - '95**

Block No.  
**F 41**

Block Title:  
**FAIRING**

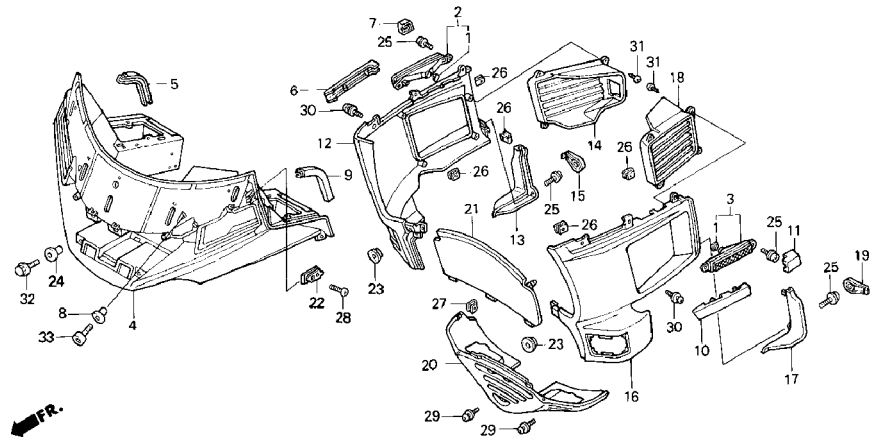


Ref. No.	Part No.	Description
13	64284-MN5-000ZJ	DEFLECTOR, R. *NH1Z* - A/I'94
13	64284-MN5-000ZT	DEFLECTOR *B142P* - ALL'94
13	64284-MN5-000ZN	DEFLECTOR *R176C*
13	64284-MN5-000ZW	DEFLECTOR *RP151P* - A/SE '95
13	64284-MN5-000ZV	DEFLECTOR *G156P* - ALL '95
13	64284-MN5-000ZU	DEFLECTOR *BG101P* - SE'94
13	64284-MN5-000ZQ	DEFLECTOR *NH326P* - SE'94'95
14	64285-MN5-000	LOUVER, R. SIDE COWL
15	64286-MT2-000ZJ	CAP, R. *NH1Z* - A/I'94
15	64286-MT2-000ZU	CAP, R. *B142P* - ALL '94
15	64286-MT2-000ZN	CAP, R. *R176C*
15	64286-MT2-000ZX	CAP, R. *RP151P* - A/SE'95
15	64286-MT2-000ZW	CAP, R. *G156P* - ALL '95
15	64286-MT2-000ZV	CAP, R. *BG101P* - SE'94
15	64286-MT2-000ZS	CAP, R. *NH326P* - SE'95
16	64290-MN5-000ZH	COWL, L. *NH1Z* - A/I '94
16	64290-MN5-000ZQ	COWL, L. *B142P - A/I '94
16	64290-MN5-000ZM	COWL, L. *R176C* - A/I '94'95
16	64290-MN5-000ZU	COWL, L. *RP151P* - A'95
16	64290-MN5-000ZT	COWL, L. *G156P* - A/I '95
16	64290-MT8-770ZH	COWL, L. *BG101P* - SE'94
16	64290-MT8-770ZJ	COWL, L. *B142P* - SE'94
16	64290-MT8-770ZF	COWL, L. *NH326P* - SE'94'95
16	64290-MT8-770ZK	COWL, L. *R176C* - SE'94'95
16	64290-MT8-770ZL	COWL, L. *G156P* - SE'95

Catalog Title:  
**GL1500A/SE/I '94 - '95**

Block No.  
**F 41**

Block Title:  
**FAIRING**

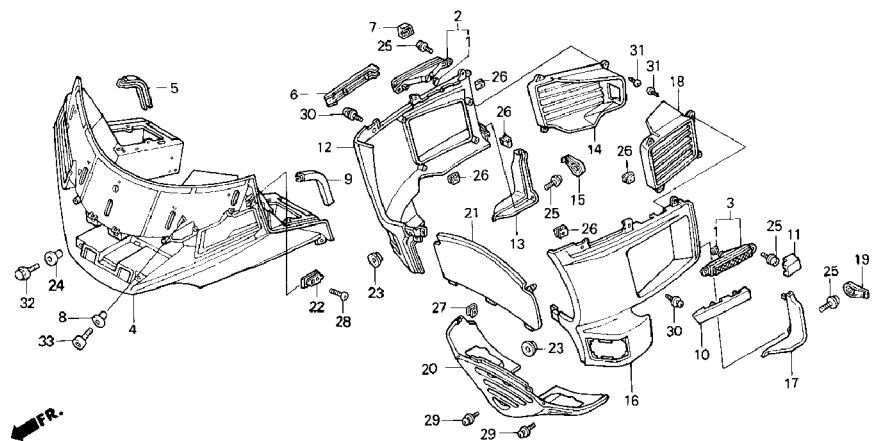


Ref. No.	Part No.	Description
16	64290-MT8-770ZM	COWL, L. *RP151P* - SE'95
17	64294-MN5-000ZJ	DEFLECTOR, L. *NH1Z* - A/I '94
17	64294-MN5-000ZT	DEFLECTOR *B142P* - ALL '94
17	64294-MN5-000ZN	DEFLECTOR *R176C*
17	64294-MN5-000ZW	DEFLECTOR *RP151P* A/SE'95
17	64294-MN5-000ZV	DEFLECTOR *G156P* - ALL'95
17	64294-MN5-000ZU	DEFLECTOR *BG101P* - SE'94
17	64294-MN5-000ZQ	DEFLECTOR *NH326P* - SE'94'95
18	64295-MN5-000	LOUVER, L. SIDE COWL
19	64296-MT2-000ZJ	CAP, L. *NH1Z* A/I '94
19	64296-MT2-000ZU	CAP, L. *B142P* - ALL '94
19	64296-MT2-000ZN	CAP, L. *R176C*
19	64296-MT2-000ZX	CAP, L. *RP151P* - A/SE'95
19	64296-MT2-000ZW	CAP, L. *G156P* - ALL'95
19	64296-MT2-000ZV	CAP, L. *BG101P* - SE'94
19	64296-MT2-000ZS	CAP, L. *NH326P* - SE'94'95
20	64300-MN5-000YL	COWL, FR. *NH1Z* - A/I'94
20	64300-MN5-000ZJ	COWL *NH1Z* (TYPE11) - A/I'94
20	64300-MN5-000ZV	COWL, FR. *B142P* - ALL '94
20	64300-MN5-000ZU	COWL, FR. *R199C*
20	64300-MN5-000ZY	COWL, FR. *RP151P* A/SE'95
20	64300-MN5-000YA	COWL, FR. *G156P* - ALL '95
20	64300-MN5-000ZW	COWL, FR. (TYPE18) - SE'94
20	64300-MN5-000YP	COWL, FR. *NH253M* - SE'94'95
20	64300-MN5-000ZH	COWL, FR. *NH253M* - SE '94'95

Catalog Title:  
**GL1500A/SE/ '94 - '95**

Block No.  
**F 41**

Block Title:  
**FAIRING**

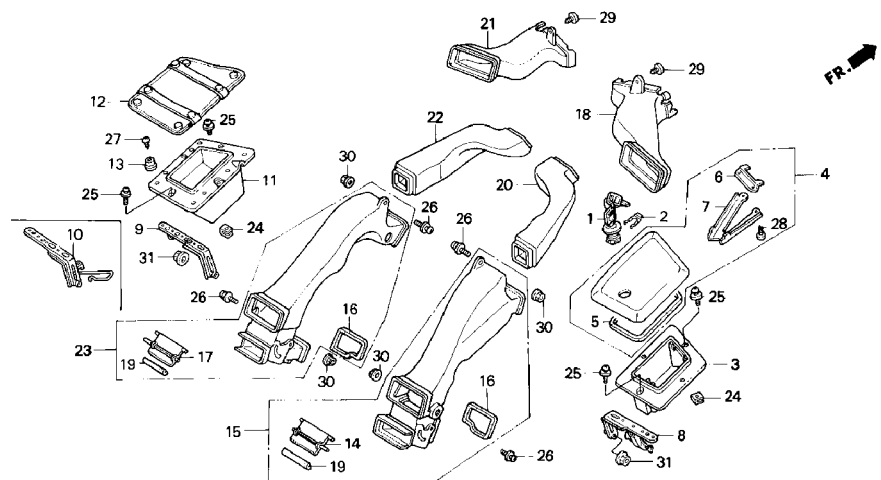


Ref. No.	Part No.	Description
21	64500-MN5-000ZJ	PANEL, FR. *NH1Z* - A/ '94
21	64500-MN5-000ZT	PANEL, FR. *B142P* ALL '94
21	64500-MN5-000ZN	PANEL, FR. *R176C*
21	64500-MN5-000ZW	PANEL, FR. *RP151P* A/SE '95
21	64500-MN5-000ZV	PANEL, FR. *G156P* - ALL '95
21	64500-MN5-000ZU	PANEL, FR. *BG101P* - SE '94
21	64500-MN5-000ZQ	PANEL, FR. *NH326P* - SE '94/95
22	64529-MW5-870	NUT, PLATE (6MM) - I '94/95
23	83601-MN5-000	GROMMET, SIDE COVER
24	84706-GB0-900	COLLAR
25	90125-MT2-000	BOLT (5X16)
26	90305-MN5-000	NUT, PLATE (5MM)
27	90320-GE2-760	NUT, SPRING (5MM)
28	93500-04016-0A	SCREW, PAN (4X16) - I '94/95
29	93891-05014-07	SCREW-WASHER (5X14)
30	93894-05020-08	SCREW-WASHER (5X20)
31	93903-24380	SCREW, TAP (4X12)
32	95701-06016-08	BOLT, FLANGE (6X16)
33	96600-06018-07	BOLT, SOCKET (6X18)

Catalog Title:  
**GL1500A/SE/ '94 - '95**

Block No.  
**F 42**

Block Title:  
**AIR DUCT**



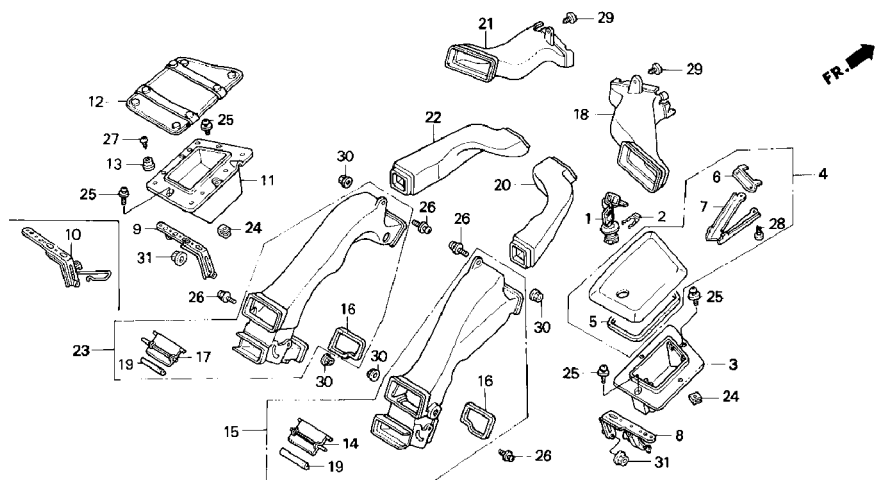
Ref. No.	Part No.	Description
1	37220-439-007	LOCK, FILLER LID
2	37222-463-000	SPRING
3	64220-MN5-000	POCKET, R.
4	64225-MZ3-000ZA	CVR *NH159L* (TYPE1)
4	64225-MZ3-000ZF	CVR *R200* (TYPE7)
5	64227-MN5-000	RUBBER, R.
6	64228-MN5-000	PLATE, R.
7	64229-MN5-000	PLATE, SUPPORT
8	64234-MZ3-000	PLATE, R.
9	64235-MN5-010	PLATE, L. - A'94'95
9	64235-MZ3-770	PLATE, L. - SE'94'95
10	64235-MY4-870	PLATE, L. - I'94'95
11	64250-MN5-000	POCKET, L.
12	64255-MN5-000ZA	CVR *NH159L* (TYPE1)
12	64255-MN5-000ZJ	CVR *R129L* (TYPE8)
13	64259-MN5-000	HOOK, POCKET
14	64264-MN5-000	LID, R. AIR DUCT
15	64271-MN5-000	DUCT, R. (LOWER)
16	64273-MN5-300	SEAL, AIR DUCT LID
17	64274-MN5-000	LID, L. AIR DUCT
18	64275-MN5-000	DUCT, R. AIR (UPPER)
19	64276-MN5-300	SEAL, HOT AIR
20	64278-MN5-000	DUCT, R. AIR (LOWER)
21	64283-MN5-000	DUCT, L. AIR (UPPER)
22	64288-MN5-000	DUCT, L. AIR (LOWER)

Catalog Title:  
**GL1500A/SE/ '94 - '95**

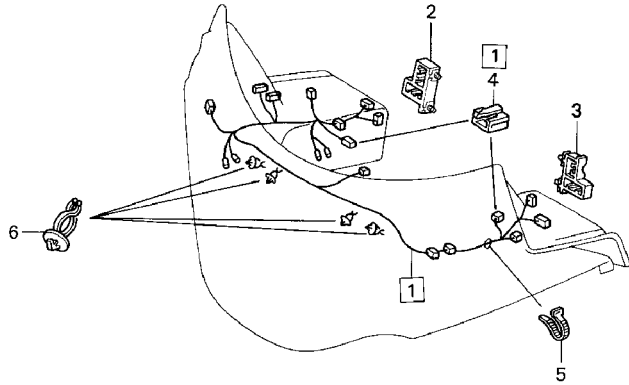
Block No.  
**F 42**

Block Title:  
**AIR DUCT**

Ref. No.	Part No.	Description
23	64289-MN5-000	DUCT, L. (LOWER)
24	90305-MN5-000	NUT, PLATE (5MM)
25	93891-05020-07	SCREW-WASHER (5X20)
26	93894-04012-08	SCREW-WASHER (4X12)
27	93901-24280	SCREW, TAP (4X10)
28	93903-25280	SCREW, TAP (5X12)
29	93903-34220	SCREW, TAP (4X10)
30	94050-04080	NUT, FLANGE (4MM)
31	94050-06080	NUT, FLANGE (6MM)



Ref. No.	Part No.	Description
1	32105-MY4-000	SUB-HARNESS, FAIRING - A/SE '94'95
1	32105-MY4-870	SUB-HARNESS, FAIRING - I'94'95
2	32120-MZ3-000	HOLDER, R. CONNECTOR
3	32121-MN5-003	HOLDER, L. CONNECTOR - A/SE '94'95
4	32136-MN5-000	CVR, CONNECTOR (2P)
4	32136-MN5-003	CVR, CONNECTOR (2P)
5	35701-MG9-950	BAND - A/SE '94'95
6	90663-MN5-000	CLIP, WIRE



←FR.

Catalog Title:

GL1500A/SE/I '94 - '95

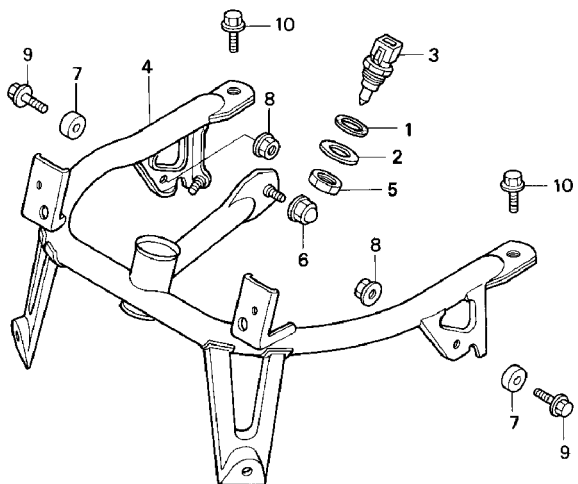
Block No.

F 44

Block Title:

COWL STAY

Ref. No.	Part No.	Description
1	17217-MG9-950	RUBBER
2	17219-MG9-950	COLLAR
3	36152-MY4-003	SENSOR
4	64510-MY4-000	STAY COMP., COWL
5	90308-MG9-950	NUT
6	90443-107-000	NUT, CAP (8MM)
7	90512-440-980	WASHER (6MM)
8	94050-06080	NUT, FLANGE (6MM)
9	95701-06016-08	BOLT, FLANGE (6X16)
10	95701-08016-08	BOLT, FLANGE (8X16)



FR.

Catalog Title:

GL1500A/SE/I '94 - '95

Block No.

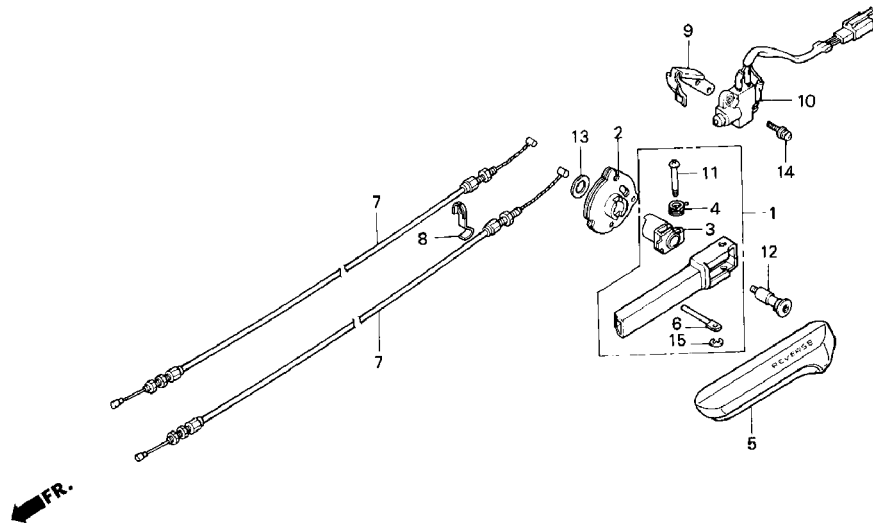
F 45

Block Title:

REVERSE BAR - GL1500A/SE

Ref. No.	Part No.	Description
----------	----------	-------------

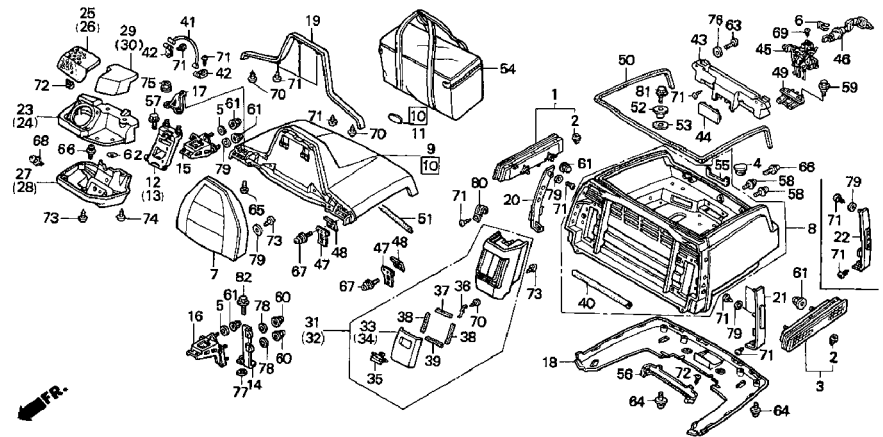
1	24800-MT8-000	BAR ASSY., REVERSE
2	24802-MN5-000	DRUM COMP., REVERSE
3	24804-MN5-000	JOINT COMP., REVERSE
4	24806-MN5-000	SPRING
5	24807-MT8-000	GRIP, REVERSE
6	24808-MN5-000	PIN, REVERSE BAR
7	24810-MT2-000	CABLE COMP., REVERSE
8	24813-MN5-000	SPRING, REVERSE DRUM
9	24814-MN5-000	SPRING
10	35370-MN5-003	SWITCH ASSY.
11	90116-MN5-000	SCREW, REVERSE PIVOT
12	90118-MN5-000	BOLT, REVERSE JOINT
13	90453-444-000	WASHER (14MM)
14	93893-04012-08	SCREW-WASHER (4X12)
15	94540-03018	E-RING (3MM)



Catalog Title:  
**GL1500A/SE/ '94 - '95**

Block No.  
**F 46**

Block Title:  
**TRUNK BOX**

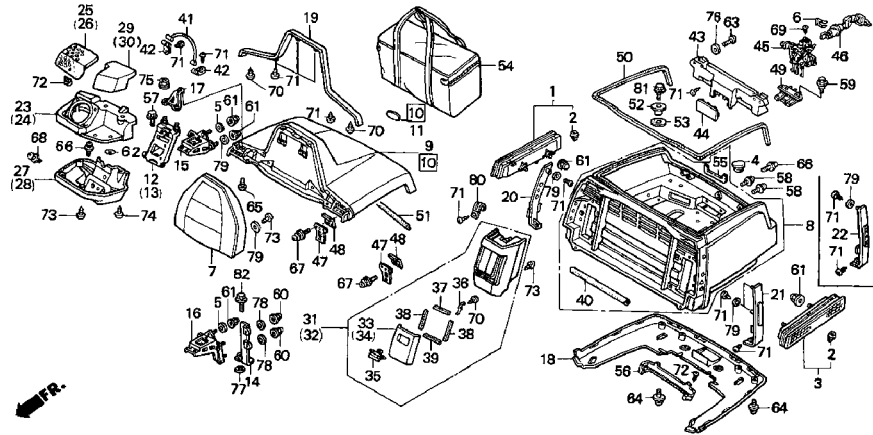


Ref. No.	Part No.	Description
1	33950-MT2-004	GARNISH, R. TRUNK
2	33954-MN5-003	CAP A
3	33980-MT2-004	GARNISH, L. TRUNK
4	50750-MB0-000	CAP, MAIN STAND PIPE
5	52427-KM4-003	WASHER, PLAIN
6	77235-469-000	SPRING
7	77500-MT8-000ZF	SEAT *R200* (TYPE8) - A/SE '94'95
7	77500-MT8-000ZD	SEAT COMP. *NH159L*
7	77500-MN5-000ZA	SEAT COMP. *NH159L* - I'94'95
7	77500-MN5-000ZF	SEAT *R129L* (TYPE8) - I'94'95
8	80110-MN5-000ZJ	BOX, TRUNK *NH1Z* - A/SE '94
8	80110-MN5-000ZT	BOX, TRUNK *B142P* - A/SE '94
8	80110-MN5-000ZN	BOX, TRUNK *R176C* - A/I '94'95
8	80110-MN5-000ZW	BOX, TRUNK *RP151P* - A'95
8	80110-MN5-000ZV	BOX, TRUNK *G156P* - A/I'95
8	81100-MAF-770ZF	BODY SET *BG101P* - SE'94
8	81100-MAF-770ZG	BODY SET *B142P* - SE'94
8	80110-MN5-000ZQ	BOX, TRUNK *NH326P* - SE'94'95
8	81100-MAF-770ZH	BODY SET (TYPE7) - SE'94'95
8	81100-MAM-A70ZD	BODY SET *R176C* - SE'94'95
8	81100-MAM-A70ZE	BODY SET *RP151P* - SE'95
8	81100-MAM-770ZD	BODY SET *R176C* - SE'95
8	81100-MAM-770ZE	BODY SET *RP151P* - SE'95
8	81100-MAM-770ZF	BODY SET *G156P* - SE'95
9	81120-MN5-000ZH	LID, TRUNK *NH1Z* - A/I '94

Catalog Title:  
**GL1500A/SE/ '94 - '95**

Block No.  
**F 46**

Block Title:  
**TRUNK BOX**

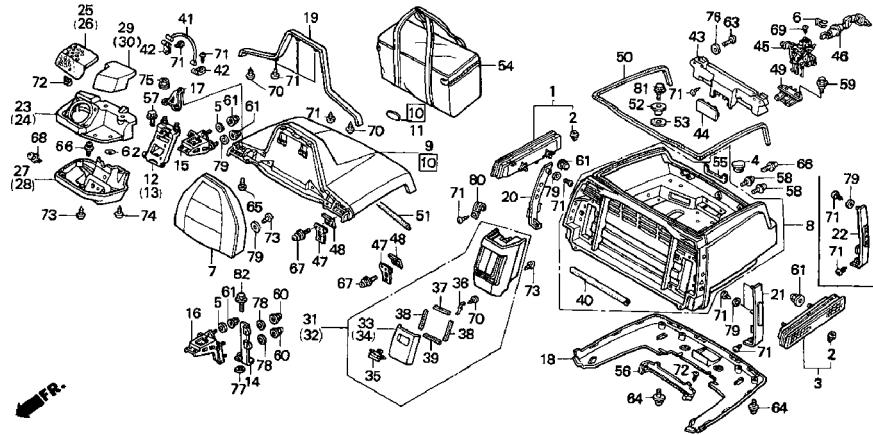


Ref. No.	Part No.	Description
9	81120-MN5-000ZK	LID, TRUNK *R176C* -A/I '94
9	81120-MN5-000ZM	LID, TRUNK *B142P* - A/I'94
9	81125-MAF-770ZE	LID SET *BG101P* - SE'94
9	81125-MAF-770ZF	LID SET *B142P*- SE'94
9	81125-MAF-770ZG	LID SET *R176C*- SE'94
9	81120-MZ3-770ZA	LID, TRUNK *NH326P*- SE'94'95
10	81125-MAM-670ZB	LID SET *RP151P* - A'95
10	81125-MAM-670ZA	LID SET *G156P* - A/I'95
10	81125-MAM-670ZC	LID SET *R176C* - A/I'95
10	81125-MAM-670ZD	LID SET *R176C* - SE'95
10	81125-MAM-770ZE	LID SET *R151P*- SE'95
10	81125-MAM-770ZF	LID SET *G156P*- SE'95
11	81127-MAM-000	EMBLEM, RR. TRUNK - ALL'95
12	81130-MN5-000	HINGE, R. TRUNK
13	81131-MN5-000	HINGE, L. TRUNK
14	81132-MZ3-770	PLATE SE'94'95
15	81136-MN5-000	BRKT, R. TRUNK HINGE
16	81137-MN5-000	BRKT, L. TRUNK HINGE
17	81139-MN5-000	STIFFENER, TRUNK LID
18	81140-MN5-000ZJ	COVER, TRUNK *NH1Z* - A/I'94
18	81140-MN5-000ZU	COVER, TRUNK *B142P* - ALL '94
18	81140-MN5-000ZN	COVER, TRUNK *R176C*
18	81140-MN5-000ZX	CVR, TRUNK *RP151P* - A/SE'95
18	81140-MN5-000ZW	COVER, TRUNK *G156P* - ALL '95
18	81140-MN5-000ZV	CVR, TRUNK *BG101P* - SE'94

Catalog Title:  
**GL1500A/SE/ '94 - '95**

Block No.  
**F 46**

Block Title:  
**TRUNK BOX**

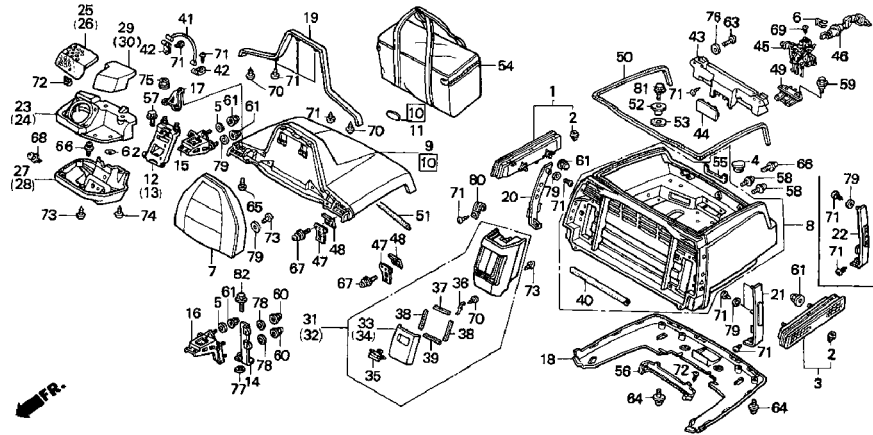


Ref. No.	Part No.	Description
18	81140-MN5-000ZS	CVR, TRUNK *NH326P*- SE'94'95
19	81145-MN5-000	GARNISH, TRUNK LID - ALL'94
19	81145-MAM-000	GARNISH, TRUNK LID - ALL'95
20	81146-MN5-000	GARN, R. TRUNK SIDE - ALL'94
20	81146-MAM-770	GARN, R. TRUNK SIDE - ALL'95
21	81147-MN5-000	GARN, L. TRUNK SIDE - A/I'94
21	81147-MAM-000	GARN, L. TRUNK SIDE - A/I'95
22	81147-MZ3-770	GARN, L. TRUNK SIDE - SE '94
22	81147-MAM-770	GARN, L. TRUNK SIDE - SE'95
23	81150-MN5-000ZA	CVR *NH159L* (TYPE1)
23	81150-MN5-000ZN	COVER *R200* (TYPE7)
24	81151-MN5-000ZA	CVR *NH159L* (TYPE1)
24	81151-MN5-000ZN	COVER *R200* (TYPE7)
25	81152-MN5-000ZA	COVER B, R. *NH159L*
25	81152-MN5-000ZM	COVER B, R. *R200*
26	81153-MN5-000ZA	COVER B, L. *NH159L*
26	81153-MN5-000ZM	COVER B, L. *R200*
27	81154-MN5-000ZA	BODY, R. *NH159L*
27	81154-MN5-000ZM	BODY *R200* (TYPE7)
28	81156-MN5-000ZA	BODY, L. *NH159L*
28	81156-MN5-000ZM	BODY *R200* (TYPE7)
29	81158-MN5-000ZA	CUSHION, R. *NH159L*
29	81158-MN5-000ZM	CUSHION, R. *R200*
30	81159-MN5-000ZA	CUSHION, L. *NH159L*
30	81159-MN5-000ZM	CUSHION, L. *R200*

Catalog Title:  
**GL1500A/SE/ '94 - '95**

Block No.  
**F 46**

Block Title:  
**TRUNK BOX**

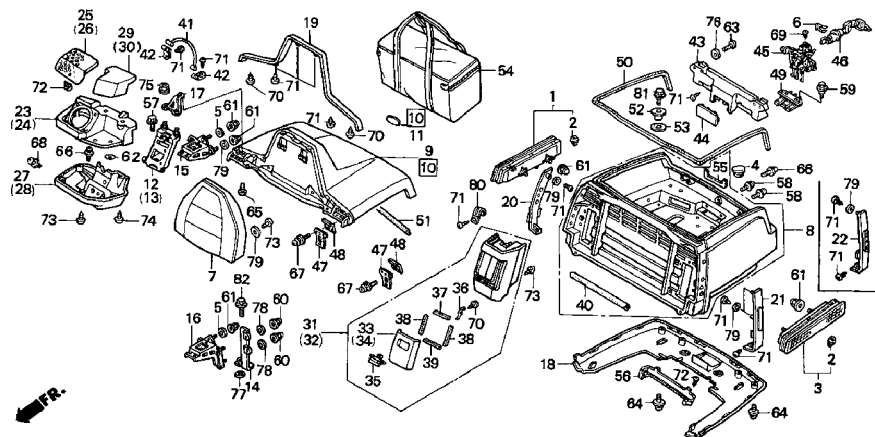


Ref. No.	Part No.	Description
31	81160-MN5-000ZA	POCKET, R. *NH159L*- A/I '94'95
31	81160-MN5-000ZG	POCKET *NH159L* - A/I '94'95
31	81160-MN5-000ZH	POCKET ASSY. *R200* - A/I '94'95
31	81160-MT8-770ZB	POCKET, R. *NH159L* - SE'94'95
31	81160-MT8-770ZJ	POCKET ASSY. *R200* - SE'94'95
32	81161-MN5-000ZA	POCKET, L. *NH159L*
32	81161-MN5-000ZM	POCKET ASSY. *R200*
33	81164-MN5-000ZA	LID *NH159L* (TYPE1)
33	81164-MN5-000ZN	LID *R200* (TYPE7)
34	81165-MN5-000ZA	LID *NH159L* (TYPE1)
34	81165-MN5-000ZM	LID *R200* (TYPE7)
35	81166-MN5-000ZA	KNOB *NH159L*
35	81166-MN5-000ZN	KNOB *R200* (TYPE7)
36	81169-MN5-000	SPRING, TRUNK POCKET
37	81173-MN5-300	RUBBER
38	81174-MN5-300	RUBBER
39	81175-MN5-300	RUBBER
40	81241-MT2-000	RUBBER, SEAL
41	81250-MN5-000	STOPPER, TRUNK LID
42	81254-MN5-000	STAY B, LID STOPPER
43	81305-MT8-771	CATCH ASSY., TRUNK
44	81306-MN5-003	COVER, OPENER UNIT
45	81310-MN5-003	UNIT, OPENER - ALL'94
45	81310-MAM-003	OPENER UNIT
46	81312-MN5-000	LOCK, OPENER UNIT

Catalog Title:  
**GL1500A/SE/ '94 - '95**

Block No.  
**F 46**

Block Title:  
**TRUNK BOX**

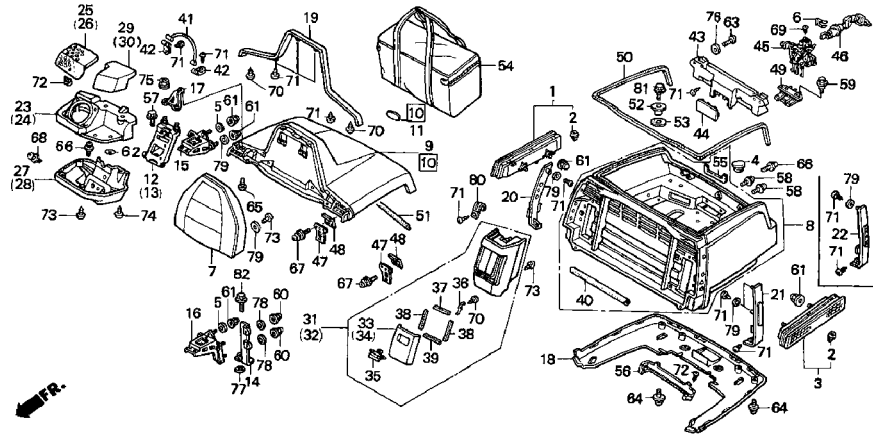


Ref. No.	Part No.	Description
47	81325-MN5-000	STRIKER, TRUNK
48	81329-MN5-000	PLATE
49	81335-MN5-003	LEVER ASSY.
50	81350-MN5-000	RUBBER, TRUNK SEAL
51	81351-MN5-000	RUBBER, TRUNK SEAL
52	81355-MN5-000	COLLAR
53	81356-MN5-000	RUBBER, BAG SETTING
54	81360-MAF-000	BAG, TRUNK (INNER) - A/SE'94
54	81360-MAM-000	BAG, TRUNK (INNER) - S/SE'95
55	81361-MN5-300	RUBBER, TRUNK SEAL
56	84705-MT8-000	COVER, LICENSE LIGHT
57	90002-GC3-000	BOLT, FLANGE (5X10)
58	90104-964-000	SCREW, PAN (5X12)
59	90112-GC6-000	BOLT, FLANGE (6MM)
60	90167-SAO-980	NUT (5MM) - A/I '94'95
60	90167-MN5-000	NUT, CAP (5MM) - SE'94'95
61	90167-SAO-980	NUT (5MM)
62	90301-GE0-000	NUT, CLIP
63	93500-05012-0G	SCREW, PAN (5X12)
64	93891-04012-07	SCREW-WASHER (4X12)
65	93893-05010-07	SCREW-WASHER (5X10)
66	93893-05012-07	SCREW-WASHER (5X12)
67	93893-05014-07	SCREW-WASHER (5X14)
68	93894-05012-07	SCREW-WASHER (5X12)
69	93901-24280	SCREW, TAP (4X10)

Catalog Title:  
**GL1500A/SE/ '94 - '95**

Block No.  
**F 46**

Block Title:  
**TRUNK BOX**

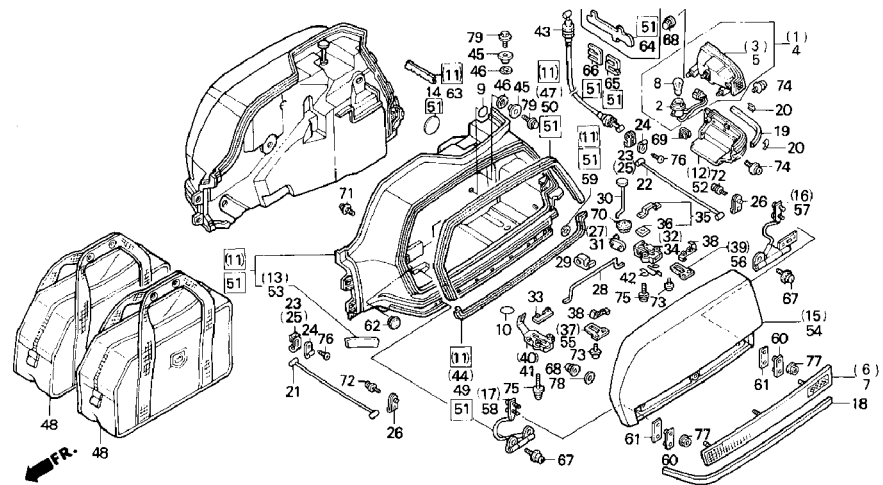


Ref. No.	Part No.	Description
70	93903-24280	SCREW, TAP (4X10)
71	93903-24380	SCREW, TAP (4X12) - A/I '94'95
71	93903-24380	SCREW, TAP (4X12) - SE'94'95
72	93903-24480	SCREW, TAP (4X16)
73	93903-25380	SCREW, TAP (5X16)
74	93903-25480	SCREW, TAP (5X20)
75	94050-05080	NUT, FLANGE (5MM)
76	94101-05700	WASHER, PLAIN (5MM)
77	94101-06000	WASHER, PLAIN (6MM) - SE'94'95
77	94101-06080	WASHER, PLAIN (6MM) - SE '94'95
77	94101-06800	WASHR,PLAIN6MM) - SE'9495
78	94103-05700	WASHER, PLAIN (5MM) - A/I '94'95
78	94103-05000	WASHER, PLAIN (5MM) - SE'9495
79	94103-05700	WASHER, PLAIN (5MM)
79	94103-05700	WASHER, PLAIN (5MM)
80	94591-45000	CLIP, WIRE (4X50)
81	96001-06020-07	BOLT, FLANGE (6X20) - A/I '94'95
81	96001-06020-07	BOLT, FLANGE (6X20) - SE'9495
82	96001-06022-00	BOLT, FLANGE (6X22)- SE'9495

Catalog Title:  
**GL1500A/SE/ '94 - '95**

Block No.  
**F 47**

Block Title:  
**SADDLEBAG**

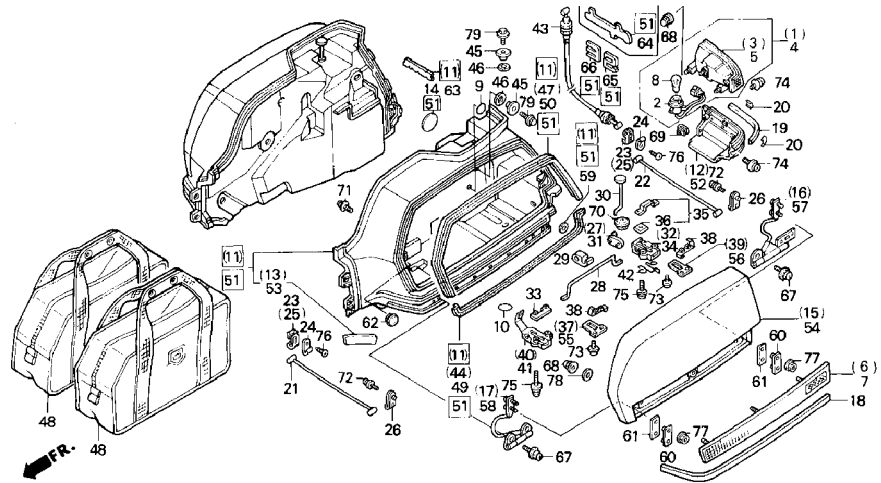


Ref. No.	Part No.	Description
1	33500-MAM-A82	TAILLIGHT SADDLE BAG
1	33500-MN5-003	LIGHT (12V 32/2CP)
2	33503-MN5-003	SOCKET, TAILLIGHT
3	33510-MAM-A82	HOUSING COMP., R.
3	33510-MN5-003	HOUSING COMP., R.
4	33550-MAM-A82	TAILLIGHT UNIT
4	33550-MN5-003	TAILLIGHT ASSY., L.
5	33560-MAM-A82	HOUSING COMP., L.
5	33560-MN5-003	HOUSING COMP., L.
6	33750-MAM-A62	REFLECTOR, R.
6	33750-MN5-003	REFLECTOR, R.
7	33755-MAM-A62	REFLECTOR, L.
7	33755-MN5-003	REFLECTOR, L.
8	34906-SA5-671	BULB
9	75826-605-300	SEAL (30MM)
9	91619-SE0-000	SEAL (30MM)
10	75826-634-300	SEAL (15MM)
11	81210-MW5-670ZA	SADDLEBAG, R. *NH1Z* - A'94
11	81210-MW5-670ZF	SADDLEBAG *B142P* - A'94
11	81210-MW5-670ZC	SADDLEBAG *R176C* - A'94'95
11	81210-MW5-670ZG	SADDLEBAG *G156P* - A'95
11	81210-MW5-670ZH	SADDLEBAG *RP151P* - A'95
11	81210-MW5-870ZD	SADDLEBAG, R. *NH1Z* -I'94
11	81210-MW5-870ZE	SADDLEBAG *B142P* -I'94
11	81210-MW5-870ZB	SADDLEBAG *R176C* -I'94'95

Catalog Title:  
**GL1500A/SE/ '94 - '95**

Block No.  
**F 47**

Block Title:  
**SADDLEBAG**

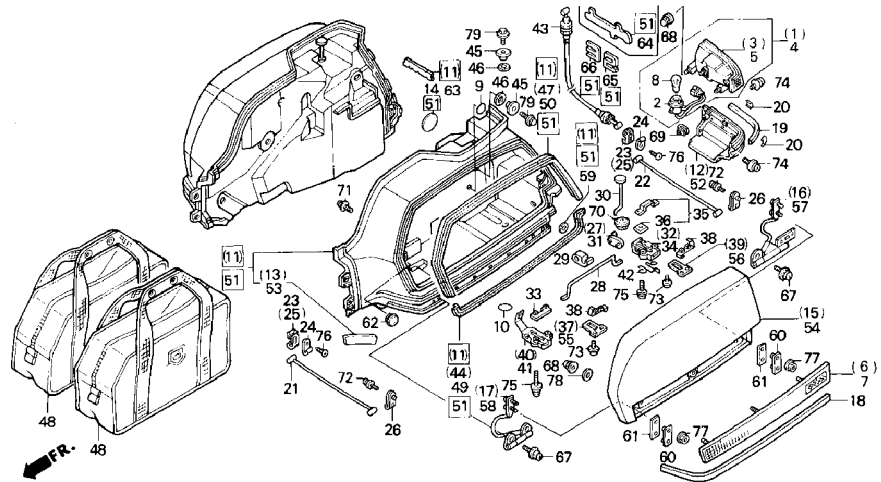


Ref. No.	Part No.	Description
11	81210-MW5-870ZF	SADDLEBAG *G156P* -I'95
11	81224-MAF-770ZF	SDLBG, R. *BG101P* - SE'94
11	81224-MAF-770ZG	SDLBG, R. *B142P* - SE'94
11	81210-MZ3-770ZA	SADDLEBAG *NH326P* - SE'94'95
11	81224-MAF-770ZH	SDLBG, R. *R176C* - SE'94'95
11	81224-MAM-A70ZE	SDLBG, R. *R176C* - SE'94'95
11	81224-MAM-D80ZE	SDLBG, R. *R176C* - SE'94'95
11	81224-MAM-A70ZF	SDLBG, R. *RP151P* -SE'95
11	81224-MAM-770ZH	SDLBG, R. *G156P* - SE'95
11	81224-MAM-770ZJ	SDLBG, R. *R176C* - SE'95
11	81224-MAM-770ZK	SDLBG, R. *RP151P* - SE'95
12	81214-MN5-000ZJ	COVER, R. *NH1Z* - A/I '94
12	81214-MN5-000ZT	COVER, R. *B142P - ALL '94
12	81214-MN5-000ZP	COVER, R. *R176C*
12	81214-MN5-000ZW	COVER, R. *RP151P* - A/I '95
12	81214-MN5-000ZV	COVER, R. *G156P* - ALL '95
12	81214-MN5-000ZU	COVER, R. *BG101P* - SE'94
12	81214-MN5-000ZQ	COVER, R. *NH326P* - SE'94'95
13	81215-MN5-300	TAPE, R. SADDLEBAG
14	81217-MT2-300	SEAL, SADDLEBAG HOLE
15	81220-MT8-000ZD	LID COMP., R. *NH1Z* - A/I '94
15	81220-MT8-000ZN	LID, R. *B142P* - A/I '94
15	81220-MT8-000ZG	LID, R. *R176C* - A/I '94'95
15	81220-MT8-000ZR	LID, R. *RP151P* - A'95
15	81220-MT8-000ZQ	LID, R. *G156P* - A/I '95

Catalog Title:  
**GL1500A/SE/ '94 - '95**

Block No.  
**F 47**

Block Title:  
**SADDLEBAG**

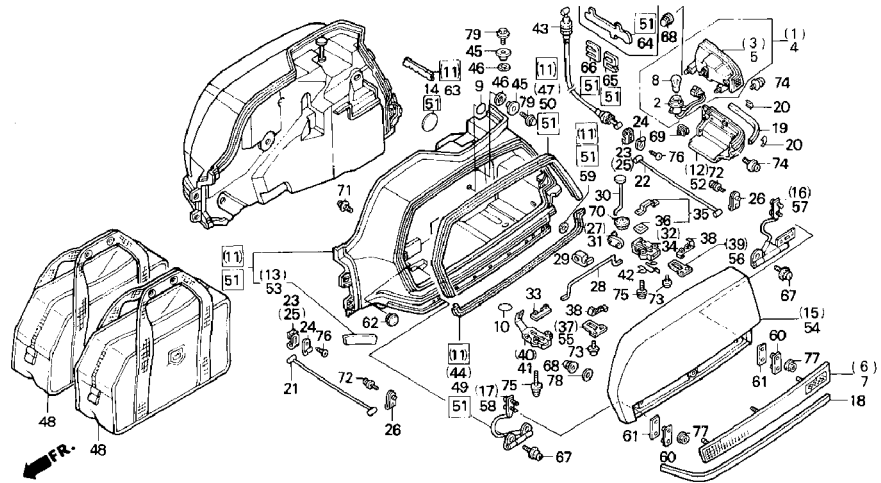


Ref. No.	Part No.	Description
15	81225-MAF-770ZE	LID SET, R. *BG101P*- SE'94
15	81225-MAF-770ZF	LID SET, R. *B142P*- SE'94
15	81225-MAF-770ZG	LID SET, R. *R176C*- SE'94
15	81220-MT8-000ZK	LID, R. *NH326P*- SE'94'95
15	81225-MAM-A70ZD	LID SET, R. *R176C*- SE'95
15	81225-MAM-D80ZE	LID SET, R. *R176C*- SE'95
15	81225-MAM-L70ZF	LID SET, R. *R176K*- SE'95
15	81225-MAM-770ZE	LID SET, R. *R176C*- SE'95
15	81225-MAM-770ZF	LID SET, R. *RP151P*- SE'95
15	81225-MAM-770ZG	LID SET, R. *G156P*- SE'95
16	81230-MN5-010	HINGE COMP., R. RR.
17	81235-MN5-010	HINGE COMP., R. FR.
18	81240-MN5-000	MOLDING, SADDLEBAG
19	81242-MN5-000	MOLDING (LOWER)
20	81247-MN5-000	CLIP, MOLDING
21	81251-MN5-000	STOPPER, FR.
22	81252-MN5-000	STOPPER, RR.
23	81253-MN5-000	STAY, L. LID STOPPER
24	81255-MN5-000	GUIDE, CABLE STOPPER
25	81256-MN5-000	STAY, R. LID STOPPER
26	81257-MT2-000	STAY C, LID STOPPER
27	81309-MZ3-003	PLATE, R.
28	81316-MN5-003	ROD
29	81317-MN5-003	SNAP, OPENER ROD
30	81318-MN5-003	ROD, EMERGENCY PUSH

Catalog Title:  
**GL1500A/SE/ '94 - '95**

Block No.  
**F 47**

Block Title:  
**SADDLEBAG**

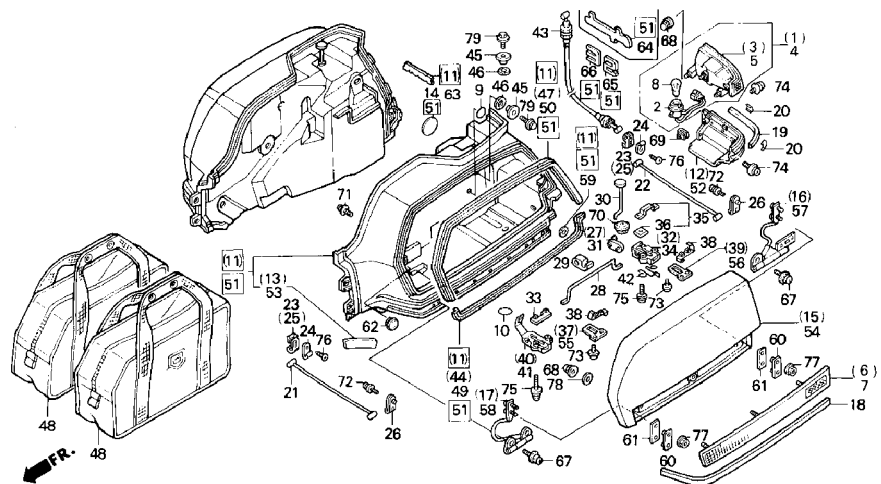


Ref. No.	Part No.	Description
31	81319-MZ3-003	PLATE, L.
32	81320-MT8-003	CATCH, R. RR.
33	81321-MN5-000	PLATE A
34	81322-MT8-003	CATCH, L. RR.
35	81323-MN5-010	PLATE
36	81324-MN5-300	GASKET, PLATE
37	81326-MN5-010	STRIKER, R. FR.
38	81327-MN5-000	PLATE
39	81328-MN5-000	STRIKER, R. RR.
40	81331-MT8-003	CATCH, R. FR.
41	81332-MT8-003	CATCH, L. FR.
42	81333-MN5-000	SPRING
43	81345-MN5-000	CABLE A
44	81352-MT8-010	RUBBER, R.
45	81355-MN5-000	COLLAR
46	81356-MN5-000	RUBBER, BAG SETTING
47	81357-MT8-010	RUBBER, R.
48	81365-MAF-000	BAG, SADDL - A/ '94E
48	81365-MAM-000	BAG, SADDLEBAG - A/ '95
49	81382-MT8-010	RUBBER, L.
50	81387-MT8-010	RUBBER, L.
51	81410-MW5-670ZA	SADDLEBAG, L. *NH1Z* - A'94
51	81410-MW5-670ZF	SADDLEBAG *B142P* - A'94
51	81410-MW5-670ZC	SADDLEBAG *R176C* - A'94'95
51	81410-MW5-670ZG	SADDLEBAG *G156P* - A'95

Catalog Title:  
**GL1500A/SE/ '94 - '95**

Block No.  
**F 47**

Block Title:  
**SADDLEBAG**

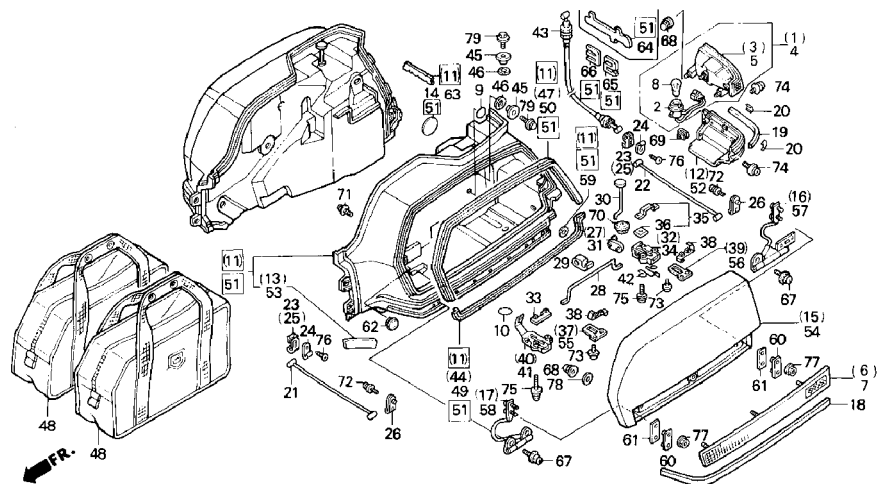


Ref. No.	Part No.	Description
51	81410-MW5-670ZH	SADDLEBAG *RP151P* - A'95
51	81410-MW5-870ZH	SADDLEBAG, L. *NH1Z* - I'94
51	81410-MW5-870ZE	SADDLEBAG *B142P* - I'94
51	81410-MW5-870ZB	SADDLEBAG *R176C* - I'94'95
51	81410-MW5-870ZF	SADDLEBAG *G156P* - I'95
51	81424-MAF-770ZF	SDLBG, L. *BG101P* - SE'94
51	81424-MAF-770ZG	SDLBG, L. *B142P* - SE'94
51	81424-MAF-770ZH	SDLBG, L. *R176C* - SE'94
51	81410-MZ3-770ZA	SADDLEBAG *NH326P* - SE'94'95
51	81424-MAM-A70ZD	SDLBG, L. *R176C* - SE'95
51	81424-MAM-A70ZE	SDLBG, L. *NH253M - SE'95
51	81424-MAM-D80ZE	SDLBG, L. *R176C* - SE'95
51	81424-MAM-770ZE	SDLBG, L. *R176C* - SE'95
51	81424-MAM-770ZF	SDLBG, L. *RP151P* - SE'95
51	81424-MAM-770ZG	SDLBG, L. *G156P* - SE'95
52	81414-MN5-000ZJ	COVER, L. *NH1Z* - A/I'94
52	81414-MN5-000ZT	COVER, L. *B142P* - ALL '94
52	81414-MN5-000ZP	COVER, L. *R176C*
52	81414-MN5-000ZW	COVER, L. *RP151P* - A/SE'95
52	81414-MN5-000ZV	COVER, L. *G156P* - ALL '95
52	81414-MN5-000ZU	COVER, L. *BG101P* - SE'94
52	81414-MN5-000ZQ	COVER, L. *NH326P* - SE'94'95
53	81415-MN5-300	TAPE, L. SADDLEBAG
54	81420-MT8-000ZD	LID COMP., L. *NH1Z* - A/I '94
54	81420-MT8-000ZN	LID, L. *B142P* - A/I '94

Catalog Title:  
**GL1500A/SE/ '94 - '95**

Block No.  
**F 47**

Block Title:  
**SADDLEBAG**



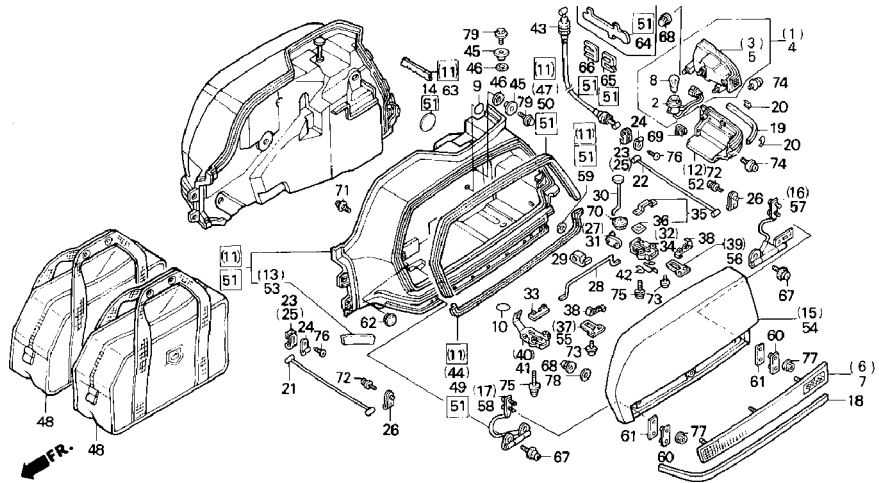
Ref. No.	Part No.	Description
54	81420-MT8-000ZG	LID, L. *R176C* - A/I '94'95
54	81420-MT8-000ZR	LID, L. *RP151P* - A'95
54	81420-MT8-000ZQ	LID, L. *G156P* - A/I '95
54	81425-MAF-770ZE	LID SET, L. *BG101P* - SE'94
54	81425-MAF-770ZF	LID SET, L. *B142P* - SE'94
54	81425-MAF-770ZG	LID SET, L. *R176C* - SE'94
54	81420-MT8-000ZK	LID, L. *NH326P* - SE'94'95
54	81425-MAM-A70ZD	LID SET, L. *R176C* - SE'95
54	81425-MAM-D80ZE	LID SET, L. *R176C* - SE'95
54	81425-MAM-L70ZF	LID SET, L. *R176K* - SE'95
54	81425-MAM-770ZE	LID SET, L. *R176C* - SE'95
54	81425-MAM-770ZF	LID SET, L. *RP151P* - SE'95
54	81425-MAM-770ZG	LID SET, L. *G156P* - SE'95
55	81426-MN5-000	STRIKER, L. FR.
56	81428-MN5-000	STRIKER, L. RR.
57	81430-MN5-010	HINGE COMP., L. RR.
58	81435-MN5-010	HINGE COMP., L. FR.
59	81437-MN5-300	RUBBER, HINGE SEAL
60	81438-MN5-000	WASHER
61	81439-MN5-000	RUBBER, HINGE SEAL
62	82871-671-000	GROMMET (25MM)
63	87111-MG9-700	EMBLEM, SADDLEBAG - A/I '94'95
63	87111-MAF-770ZD	EMBLEM, R. (TYPE8) - SE'94
63	87111-MAF-770ZE	EMBLEM, R. (TYPE9) - SE'94
63	87111-MAF-770ZA	EMBLEM, R. (TYPE10) - SE'94'95

Catalog Title:  
**GL1500A/SE/ '94 - '95**

Block No.  
**F 47**

Block Title:  
**SADDLEBAG**

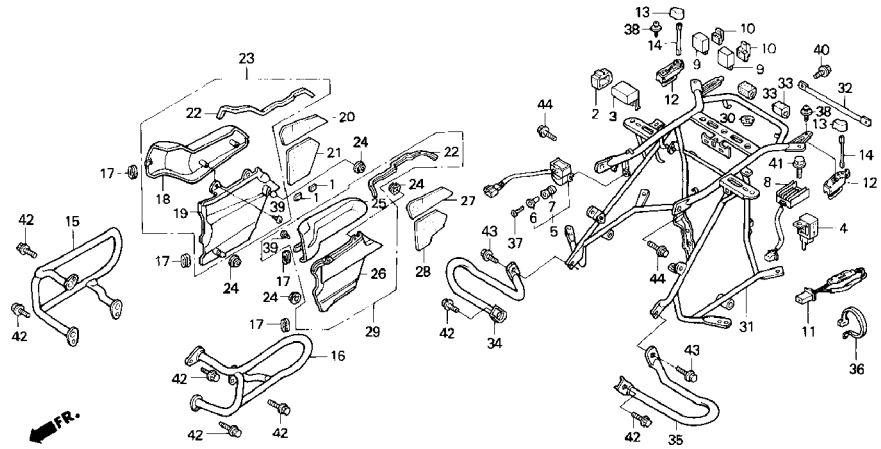
Ref. No.	Part No.	Description
63	87111-MAF-770ZB	EMBLEM, R. (TYPE6) - SE'94'95
64	87121-MW5-670	EMBLEM, L. RR. - A'94'95
64	87121-MW5-870	EMBLEM, L. RR. - I'94'95
65	87122-MT8-770	EMBLEM, L. RR. - SE'94'95
66	87123-MT8-770	EMBLEM, L. RR. - SE'94'95
67	90103-GB6-930	SCREW
68	90167-SAO-980	NUT (5MM)
69	90305-MN5-000	NUT, PLATE (5MM)
70	90801-MN5-010	GROMMET
71	93891-05012-0A	SCREW-WASHER (5X12)
71	93891-05012-00	SCREW-WASHER (5X12)
72	93893-04012-07	SCREW-WASHER (4X12)
73	93893-05016-07	SCREW-WASHER (5X16)
74	93893-05020-07	SCREW-WASHER (5X20)
75	93893-05025-07	SCREW-WASHER (5X25)
76	93903-24380	SCREW, TAP (4X12)
77	94050-05080	NUT, FLANGE (5MM)
78	94103-05700	WASHER, PLAIN (5MM)
79	96001-06020-07	BOLT, FLANGE (6X20)



Catalog Title:  
**GL1500A/SE/ '94 - '95**

Block No.  
**F 48**

Block Title:  
**ENGINE GUARD**

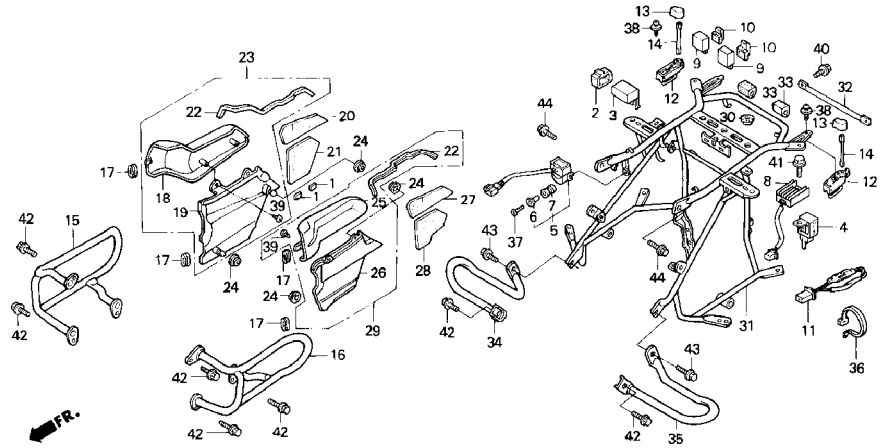


Ref. No.	Part No.	Description
1	17507-MN5-000	RUBBER
2	30401-KF0-000	CUSHION - A/SE '94'95
3	31710-MT8-003	DIODE COMP., REVERSE- A/SE '94'95
4	34210-MT8-771	CONTROL UNIT - SE'94'95
5	35160-MAF-003	SENSOR ASSY., KILL
6	35162-MN5-003	COLLAR
7	35163-MN5-003	GROMMET
8	35880-MN5-000	REGULATOR COMP. - A/SE '94'95
9	38301-MG9-681	RELAY, TURN SIGNAL
10	38306-GE7-000	SUSPENSION
11	39260-MZ3-770	FILTER, AIR PUMP - SE'94'95
12	50710-MN5-000	HOLDER ASSY., HELMET
13	50712-MN5-000	KNOB, HELMET HOLDER
14	50713-MN5-000	ROD, HELMET HOLDER
15	62501-MN5-000	GUARD, R. ENGINE
16	62601-MN5-000	GUARD, L. ENGINE
17	83124-MN5-000	RUBBER
18	83511-MY4-000ZA	CVR *MRCR2* (TYPE10)
19	83512-MAF-000ZA	COVER, R. (TYPE11) - A/I '94
19	83512-MAF-000ZC	COVER, R. (TYPE17) - ALL '94
19	83512-MAF-000ZB	CVR *R199C* (TYPE16)
19	83512-MAF-000ZG	COVER, R. *RP151P* - A/I '95

Catalog Title:  
**GL1500A/SE/ '94 - '95**

Block No.  
**F 48**

Block Title:  
**ENGINE GUARD**

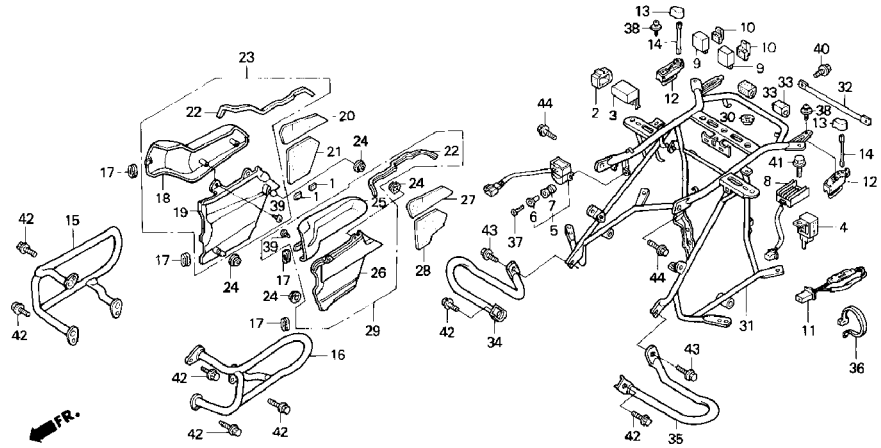


Ref. No.	Part No.	Description
19	83512-MAF-000ZH	CVR *G156P* (TYPE21) - ALL '95
19	83512-MAF-000ZD	COVER, R. (TYPE18) -SE '94
19	83512-MAF-000ZF	CVR *NH253M* (TYPE8) - SE'94 '95
20	83513-MN5-300	MAT, R. (UPPER) - A/SE '94
20	83513-MAM-300	MAT, R. (UPPER) - A/SE'95
21	83514-MN5-300	MAT, R. (LOWER) - A/SE '94
21	83514-MAM-300	MAT, R. (LOWER) - A/SE '95
22	83515-MN5-300	SEAL
23	83520-MAF-000ZG	CVR, R. (TYPE11) - A/I '94
23	83520-MAF-000ZC	CVR, R. (TYPE17) - ALL '94
23	83520-MAF-000ZB	CVR *R199C* (TYPE16)
23	83520-MAF-000ZH	COVER ASSY. *RP151P* - A/SE '95
23	83520-MAF-000ZJ	CVR *G156P* (TYPE21) - ALL '95
23	83520-MAF-000ZD	CVR, R. (TYPE18) - SE'94
23	83520-MAF-000ZF	CVR *NH253M* (TYPE8) - SE'94'95
24	83551-300-000	GROMMET, A/CLNR HSG
25	83561-MY4-000ZA	CVR *MRCR2* (TYPE10)
26	83562-MAF-000ZA	COVER, L. (TYPE11) - A/I '94
26	83562-MAF-000ZC	COVER, L. (TYPE17) - ALL '94
26	83562-MAF-000ZB	COVER, L. (TYPE16)
26	83562-MAF-000ZG	COVER, L. *RP151P* - A/SE'95
26	83562-MAF-000ZH	CVR *G156P* (TYPE21) - ALL '95
26	83562-MAF-000ZD	COVER, L. (TYPE18) - SE'94
26	83562-MAF-000ZF	COVER, L. (TYPE8) - SE'94'95

Catalog Title:  
**GL1500A/SE/ '94 - '95**

Block No.  
**F 48**

Block Title:  
**ENGINE GUARD**



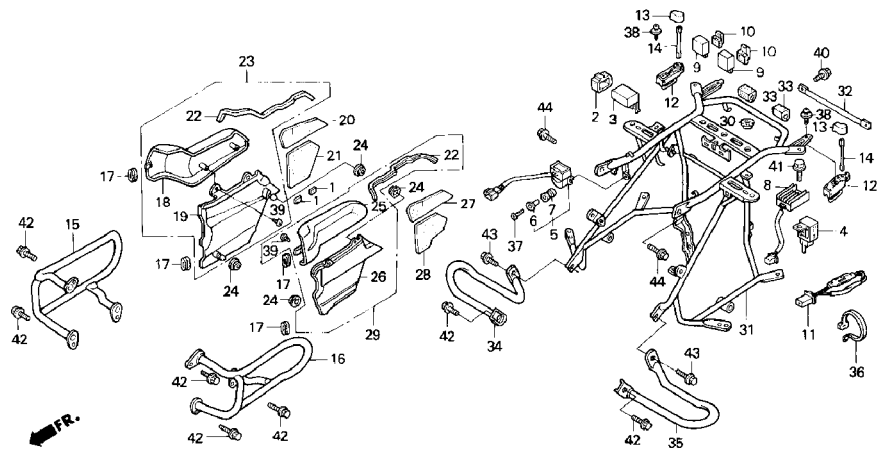
Ref. No.	Part No.	Description
27	83563-MN5-300	MAT, L. (UPPER)- A/SE'94
27	83563-MAM-300	MAT, L. (UPPER) - A/SE'94'95
28	83564-MN5-300	MAT, L. (LOWER) - A/SE'94
28	83564-MAM-300	MAT, L. (LOWER) - A/SE'95
29	83570-MAF-000ZG	CVR, L. (TYPE11) - A/I '94
29	83570-MAF-000ZC	CVR, L. (TYPE17) - ALL '94
29	83570-MAF-000ZB	CVR *R199C* (TYPE16)
29	83570-MAF-000ZH	COVER ASSY. *RP151P* - A/SE'95
29	83570-MAF-000ZJ	CVR *G156P* (TYPE21) - ALL'95
29	83570-MAF-000ZD	CVR, L. (TYPE18) - SE'94
29	83570-MAF-000ZF	CVR *NH253M* (TYPE8) - SE'94'95
30	83618-323-000	RUBBER, BATTERY BOX
31	84100-MN5-000	STAY, SADDLEBAG
32	84102-MN5-000	JOINT, RR. FRAME END
33	84103-MN5-000	CUSHION, RR. TRUNK
34	84130-MN5-000	GUIDE, R. SADDLEBAG
35	84140-MN5-000	GUIDE, L. SADDLEBAG
36	90650-MA6-720	BAND, WIRE HARNESS - SE'94'95
37	93500-04020-0H	SCREW, PAN (4X20)
38	93893-06012-07	SCREW-WASHER (6X12)
39	93903-25280	SCREW, TAP (5X12)
40	95701-06010-08	BOLT, FLANGE (6X10)
41	95701-06014-08	BOLT, FLANGE (6X14) - A/SE '94'95
42	95701-08016-08	BOLT, FLANGE (8X16)

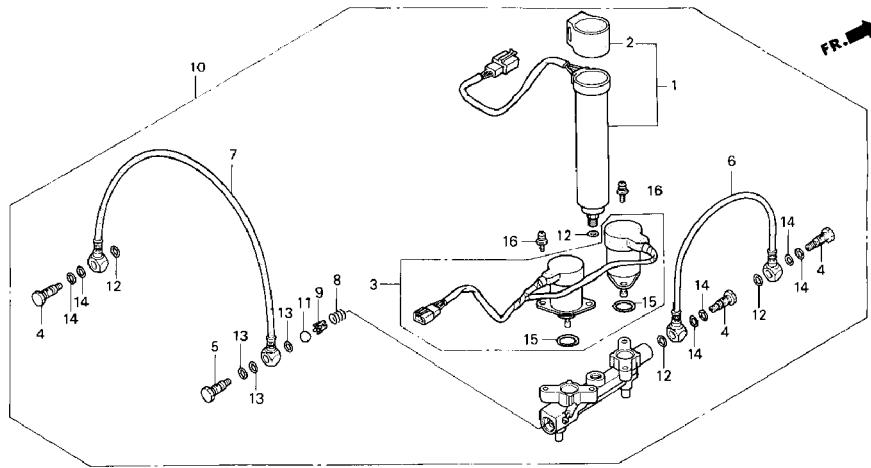
Catalog Title:  
**GL1500A/SE/ '94 - '95**

Block No.  
**F 48**

Block Title:  
**ENGINE GUARD**

Ref. No.	Part No.	Description
43	95701-08020-08	BOLT, FLANGE (8X20)
44	95701-10025-08	BOLT, FLANGE (10X25)





Ref. No.	Part No.	Description
1	35660-MN5-000	SENSOR, AIR PRESSURE
2	35665-MB9-950	SETTING, AIR SENSOR
3	38500-MN5-000	VALVE, LEVELING
4	52628-MG9-871	BOLT, AIR HOSE
5	52628-MG9-951	BOLT, AIR HOSE
6	52650-MN5-003	HOSE COMP., AIR
7	52660-MN5-003	HOSE COMP., AIR
8	52723-MB9-870	SPRING, VALVE
9	52726-MB9-871	WASHER, CAP
10	52730-MN5-003	DISTRIBUTOR, AIR
11	90211-MB9-870	BALL, STEEL (10)
12	91301-469-003	O-RING (5.8X1.9)
12	91305-323-000	O-RING (5.8X1.9)
13	91301-PC9-003	O-RING (7.7X2.3)
13	91308-283-000	O-RING (7.8X2.2)
14	91351-671-004	O-RING (7MM)
15	91357-MG9-951	O-RING
16	93893-05012-08	SCREW-WASHER (5X12)

Catalog Title:

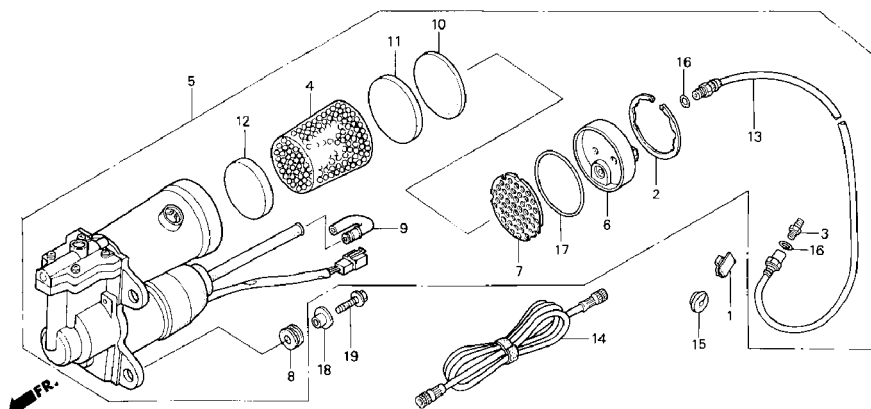
GL1500A/SE/I '94 - '95

Block No.

F 50

Block Title:

AIR PUMP - GL1500A/SE

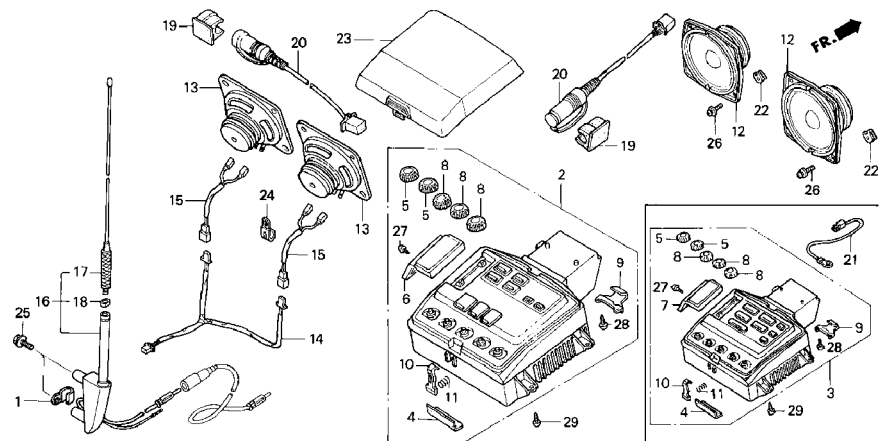


Ref. No.	Part No.	Description
1	32911-MG9-950	CLAMP, CABLE
2	51447-461-003	CIRCLIP (50MM)
3	51456-469-013	VALVE COMP., AIR
4	527A2-MN5-003	DESICCANT
5	52700-MN5-003	PUMP ASSY., AIR
6	52712-MN5-003	COVER COMP., DRIER
7	52713-MN5-003	RETAINER
8	52714-MN5-003	GROMMET
9	52715-MN5-003	END, PIECE
10	52716-MN5-003	FILTER
11	52717-MN5-003	FILTER
12	52718-MN5-003	FILTER
13	52740-MN5-003	HOSE ASSY., AIR
14	52817-MG9-871	HOSE, AIR SUPPLY
15	81213-MN5-000	GROMMET, SADDLE HOLE
16	91301-469-003	O-RING (5.8X1.9)
16	91305-323-000	O-RING (5.8X1.9)
17	91351-MN5-003	O-RING (49.5X2)
18	91551-723-650	COLLAR, DISTANCE
19	95701-06018-08	BOLT, FLANGE (6X18)
19	95801-06018-08	BOLT, FLANGE (6X18)
20	38752-MN5-003	FILTER, AIR PUMP

Catalog Title:  
**GL1500A/SE/ '94 - '95**

Block No.  
**F 51**

Block Title:  
**RADIO CASSETTE - GL1500A/SE**



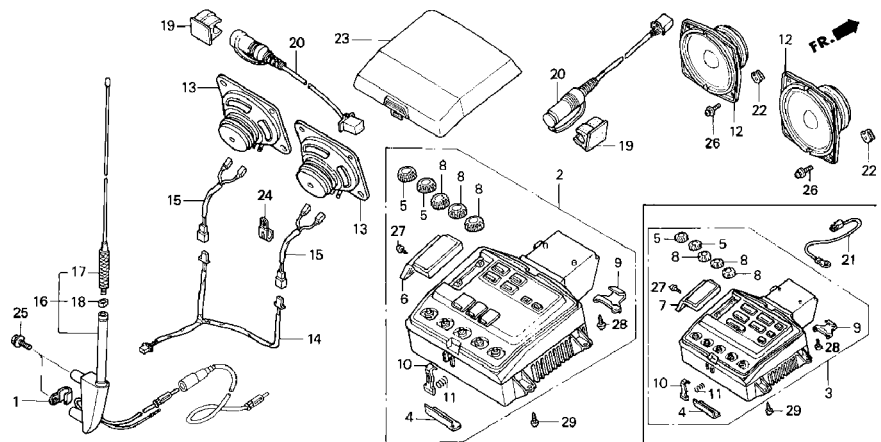
Ref. No.	Part No.	Description
1	32111-426-000	CLAMP, CABLE - A'94'95
1	32111-460-780	CLAMP - A'94'95
2	39100-MN5-020	CASSETTE, RADIO - A'94'95
3	39100-MT8-771	CASSETTE, RADIO - SE'94'95
4	39109-MN5-000	RUBBER
5	39111-MN5-003	KNOB, RADIO
6	39112-MN5-003	LID, CASSETTE - A'94'95
7	39112-MT8-771	LID, CASSETTE - SE'94'95
8	39116-MN5-003	KNOB, RADIO
9	39117-MN5-000	PLATE, COVER STOPPER
10	39118-MN5-023	LEVER, COVER LOCK
11	39119-MN5-003	SPRING, LEVER
12	39130-MT2-003	SPEAKER UNIT
13	39135-MZ3-771	SPEAKER UNIT - SE'94'95
14	39148-MZ3-770	SUB-WIRE, RR. - SE'94'95
15	39149-MZ3-770	SUB-WIRE, SPEAKER - SE'94'95
16	39150-MAF-000	ANTENNA ASSY., RADIO - A/SE'94
16	39150-MAM-003	ANTENNA ASSY., RADIO
17	39151-MAF-000	ELEMENT, ANTENNA
18	39153-MN5-003	NUT, ANTENNA
19	39242-MN5-000	HOLDER, CONNECTOR
20	39245-MT2-010	LEAD
21	39255-MZ3-770	SUB-WIRE, CB GROUND - SE'94'95
22	64521-MN5-000	NUT, CLIP (4MM)
23	83170-MN5-000ZA	CVR *NH159L* (TYPE1)

Catalog Title:  
**GL1500A/SE/ '94 - '95**

Block No.  
**F 51**

Block Title:  
**RADIO CASSETTE - GL1500A/SE**

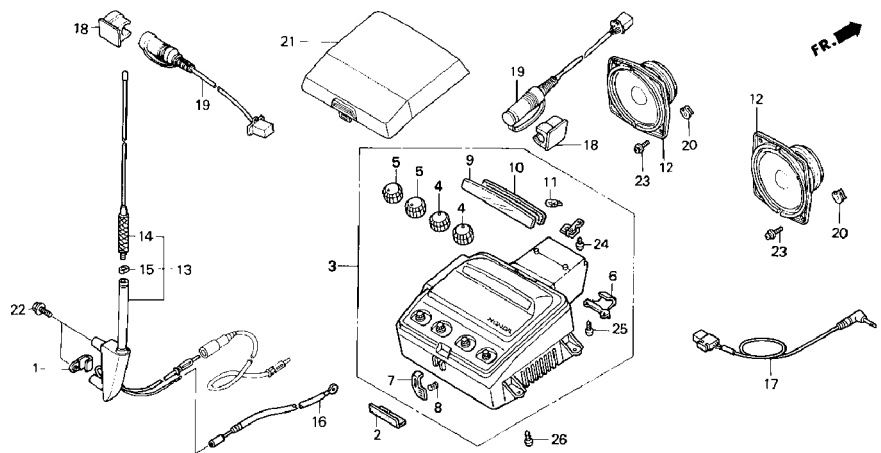
Ref. No.	Part No.	Description
23	83170-MN5-000ZH	COVER *R200* (TYPE7)
24	90601-KJ9-000	CLIP (4X50) SE'94'95
25	93411-06016-08	BOLT-WASHER (6X16)
26	93891-04012-08	SCREW-WASHER (4X12)
27	93901-22220	SCREW, TAP (3X10)
28	93901-22320	SCREW, TAP (3X12)
29	93903-25220	SCREW, TAP (5X12)



Catalog Title:  
**GL1500A/SE/ '94 - '95**

Block No.  
**F 5101**

Block Title:  
**RADIO - GL1500I**



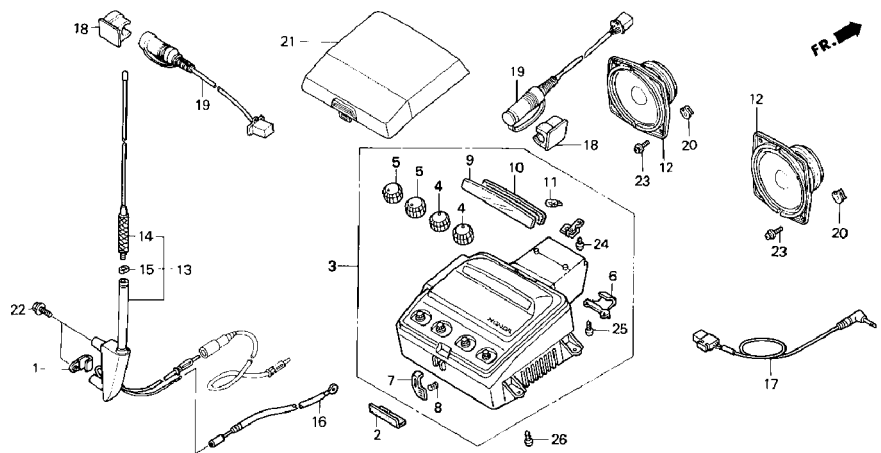
Ref. No.	Part No.	Description
1	32111-426-000	CLAMP, CABLE
1	32111-460-780	CLAMP
2	39109-MN5-000	RUBBER
3	39100-MY4-871	RADIO ASSY.
3	39110-MY4-871	RADIO COMP. (NA USE ALT:39100-
4	39111-MN5-003	KNOB, RADIO
5	39116-MN5-003	KNOB, RADIO
6	39117-MN5-000	PLATE, COVER STOPPER
7	39118-MN5-023	LEVER, COVER LOCK
8	39119-MN5-003	SPRING, LEVER
9	39121-MY4-871	LENS
10	39122-MY4-871	SPONGE
11	39123-MY4-871	BULB COMP.
12	39130-MT2-003	SPEAKER UNIT
13	39150-MAF-000	ANTENNA ASSY., RADIO
13	39150-MAM-003	ANTENNA ASSY., RADIO
14	39151-MAF-000	ELEMENT, ANTENNA
15	39153-MN5-003	NUT, ANTENNA
16	39155-MW5-870	SUB-WIRE
17	39170-MY4-870	SUB-WIRE, AUXILIARY
18	39242-MN5-000	HOLDER, CONNECTOR
19	39245-MT2-010	LEAD
20	64521-MN5-000	NUT, CLIP (4MM)
21	83170-MN5-000ZA	CVR *NH159L* (TYPE1)
21	83170-MN5-000ZH	COVER *R200* (TYPE7)

Catalog Title:  
**GL1500A/SE/ '94 - '95**

Block No.  
**F 5101**

Block Title:  
**RADIO - GL1500I**

Ref. No.	Part No.	Description
22	93411-06016-08	BOLT-WASHER (6X16)
23	93891-04012-08	SCREW-WASHER (4X12)
24	93901-22120	SCREW, TAPPING (3X8)
25	93901-22320	SCREW, TAP (3X12)
26	93903-25220	SCREW, TAP (5X12)

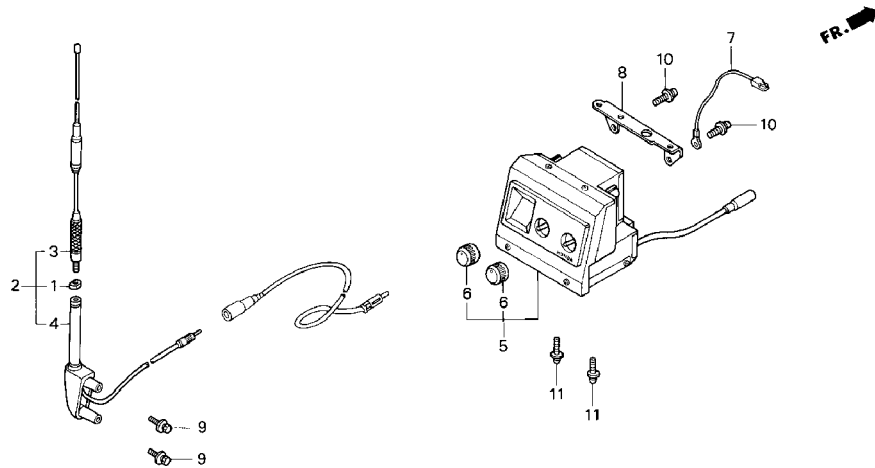


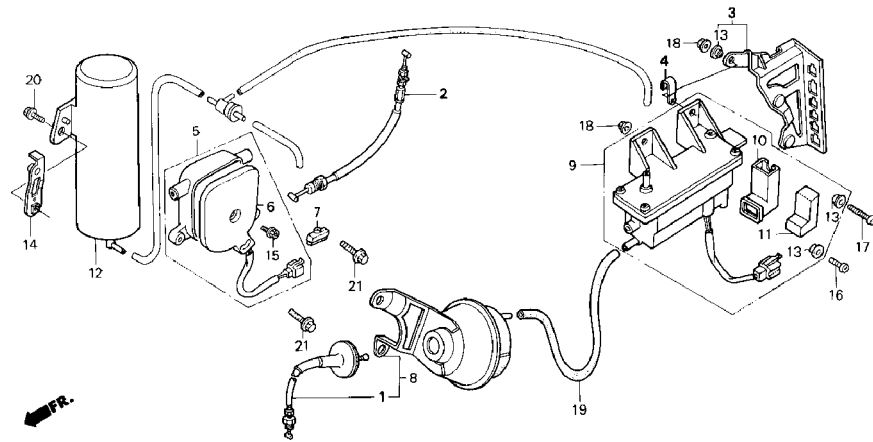
Catalog Title:  
**GL1500A/SE/I '94 - '95**

Block No.  
**F 5102**

Block Title:  
**CB TRANSCEIVER - GL1500SE**

Ref. No.	Part No.	Description
1	39153-MN5-003	NUT, ANTENNA
2	39160-MAM-771	ANTENNA ASSY., CB
3	39161-MAF-770	ELEMENT, CB ANTENNA
4	39162-MZ3-771	FEEEDER, CB ANTENNA - SE'94
4	39162-MAM-771	*39160-MAM-771 - SE'95
5	39250-MZ3-770	TRANSCEIVER UNIT, CB
6	39251-MZ3-770	KNOB, CB
7	39255-MZ3-770	SUB-WIRE, CB GROUND
8	64236-MZ3-770	BRACKET, CB MOUNTING
9	93411-06016-08	BOLT-WASHER (6X16)
10	93892-06012-08	SCREW-WASHER (6X12)
11	93894-06012-08	SCREW-WASHER (6X12)





Ref. No.	Part No.	Description
1	17880-MT2-000	CABLE, ACTUATOR
2	17930-MT8-004	CABLE COMP.
3	32011-MN5-000	HOLDER B. CONNECTOR
4	32906-399-000	CLIP, IGNITION CABLE
5	35360-MT2-003	SWITCH, GRIP CANCEL
6	35366-MT2-003	COVER
7	35367-MT2-000	GROMMET, GRIP CANCEL
8	36520-MT2-000	ACTUATOR ASSY.
9	36530-MN5-005	VALVE ASSY., CRUISE
10	36531-MN5-005	COVER, FILTER
11	36532-MN5-005	FILTER
12	36625-MN5-000	TANK COMP., VACUUM
13	39265-MG9-870	COLLAR
14	50240-MT8-000	BRACKET
15	90091-SC3-960	BOLT-WASHER (5X16)
16	93500-05012-0A	SCREW, PAN (5X12)
17	93500-05020-0A	SCREW, PAN (5X20)
18	94050-05080	NUT, FLANGE (5MM)
19	95001-45003-20M	BULK HOSE (4.5X3000)
20	95701-06012-08	BOLT, FLANGE (6X12)
21	95701-06020-08	BOLT, FLANGE (6X20)

Catalog Title:

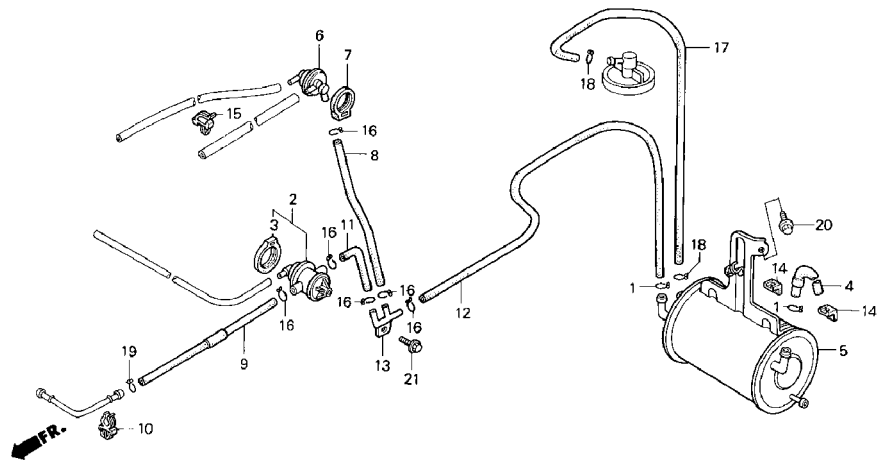
GL1500A/SE/I '94 - '95

Block No.

F 53

Block Title:

EVAP CANISTER (AC)



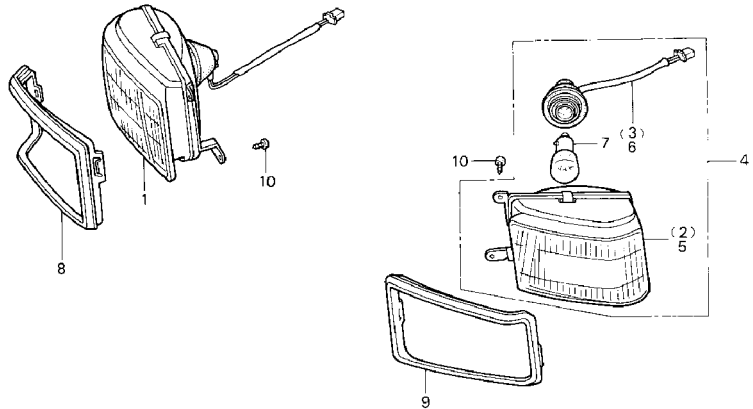
Ref. No.	Part No.	Description
1	15772-500-010	CLIP, BREATHER TUBE
1	15772-500-013	CLIP, BREATHER TUBE
2	17300-MT2-741	VALVE ASSY.
3	17305-MJ4-771	RUBBER, SETTING
4	17309-ML8-790	TUBE, AIR BREATHER
5	17410-MT2-741	CANISTER COMP - ALL '94
5	17410-MT2-742	CANISTER COMP.
6	17440-MY4-880	VALVE, PURGE CONTROL
7	17451-ME5-760	RUBBER
8	17451-MT2-740	TUBE (8MM)
9	17452-MT2-740	TUBE (8MM)
10	17453-MT2-740	CLIP, PIPE (8MM)
11	17466-MT2-740	TUBE (8MM)
12	17467-MT2-740	TUBE (8MM)
13	17468-MT2-740	JOINT, THREE-WAY
14	50260-MN5-740	RUBBER
15	61309-GE4-003	CLIP, HARNESS
16	90641-MK3-780	CLIP, TUBE (B14)
17	95001-45003-20M	BULK HOSE (4.5X3000)
18	95002-02080	CLIP, TUBE (B8)
19	95002-02120	CLIP, TUBE (B12)
20	95701-06012-08	BOLT, FLANGE (6X12)
21	95701-06014-08	BOLT, FLANGE (6X14)

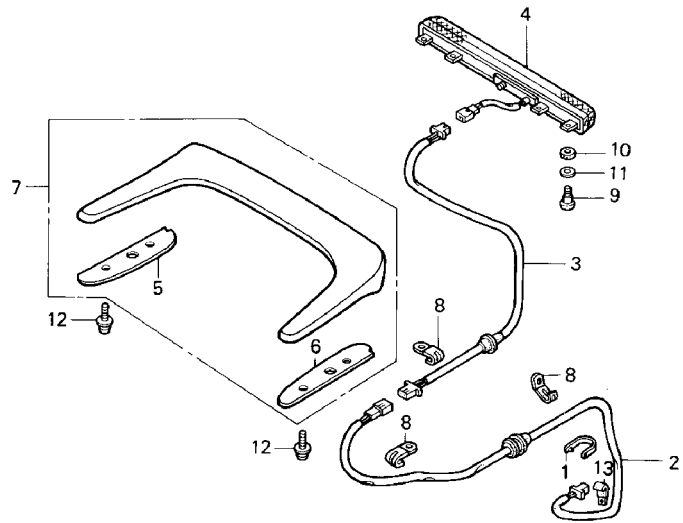
Catalog Title:  
**GL1500A/SE/I '94 - '95**

Block No.  
**F 54**

Block Title:  
**CORNERING LAMP - GL1500SE**

Ref. No.	Part No.	Description
1	33200-MT8-771	LAMP, R. CORNERING
2	33201-MT8-771	LAMP UNIT, R.
3	33202-MT8-771	SOCKET COMP., R.
4	33250-MT8-771	LAMP, L. CORNERING
5	33251-MT8-771	LAMP UNIT, L.
6	33252-MT8-771	SOCKET COMP., L.
7	34901-071-003	BULB, HEADLIGHT
8	64281-MT8-771	RIM, R.
9	64291-MT8-771	RIM, L.
10	93903-25220	SCREW, TAP (5X12)

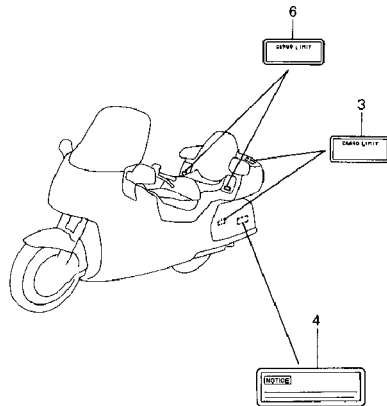
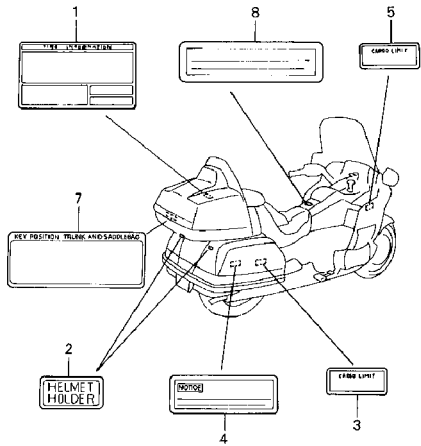




Ref. No.	Part No.	Description
1	17918-KJ2-000	CLIP, THROTTLE CABLE
2	32110-MT8-770	SUB-HARNESS
3	32116-MT8-770	SUB-HARNESS
4	34200-MT8-771	LIGHT ASSY.
5	34311-MT8-770	RUBBER, R.
6	34312-MT8-770	RUBBER, L.
7	34320-MT8-770ZN	BASE SUB *BG101P* - SE'94
7	34320-MT8-770ZP	BASE SUB *B142P* - SE'94
7	34320-MT8-770ZG	BASE SUB *NH326P*
7	34320-MT8-770ZQ	BASE SUB *R176C*
7	34320-MT8-770ZR	BASE SUB *G156P* - SE'95
7	34320-MT8-770ZS	BASE SUB *RP151P* - SE'95
8	90601-KJ9-000	CLIP (4X50)
9	91422-MT8-770	SCREW, SPECIAL (5MM)
10	91423-MT8-770	RUBBER
11	91424-MT8-770	WASHER, PLAIN (7MM)
12	93891-06012-07	SCREW-WASHER (6X12)
12	93891-06012-17	SCREW-WASHER (6X12)
13	94591-45000	CLIP, WIRE (4X50)



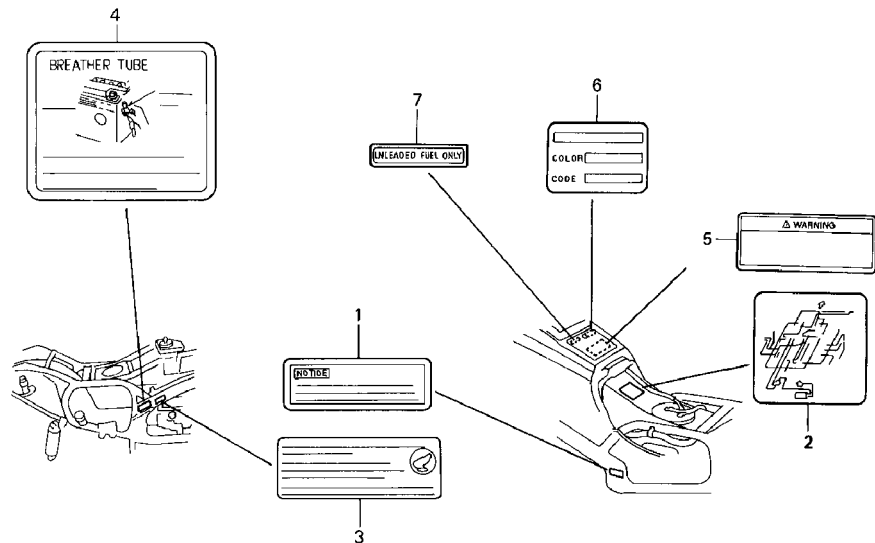
Ref. No.	Part No.	Description
1	87505-MZ3-670	LABEL, TIRE
2	87511-MW0-670ZA	LABEL (TYPE1)
3	87520-MZ3-300	LABEL (9.0KG)
4	87521-MZ3-300	LABEL, SADDLEBAG
5	87523-MZ3-300	LABEL (2.0KG)
6	87525-MZ3-300	LABEL (0.5KG)
7	87526-MN5-300	LABEL, KEY POSITION - ALL '94
7	87526-MAM-300	LABEL, KEY POSITION - ALL '95
8	87560-MW0-670ZA	LABEL, DRIVE (TYPE1)



Catalog Title:  
**GL1500A/SE/I '94 - '95**

Block No.  
**F 5601**

Block Title:  
**CAUTION LABEL (2)**



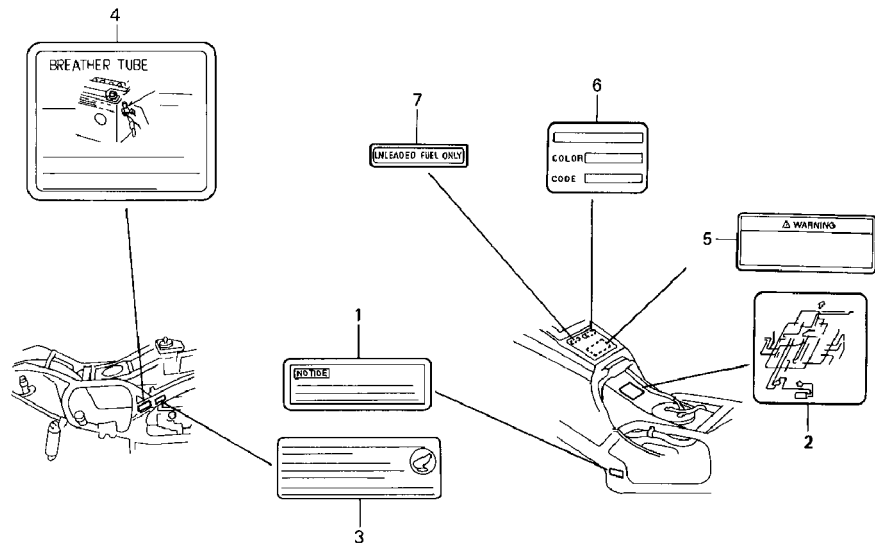
Ref. No.	Part No.	Description
1	31115-MZ3-300	LABEL - ALL '94
1	31115-MAM-300	LABEL - ALL '95
2	87135-MAF-740	DIAGRAM - ALL '94
2	87135-MAM-740	DIAGRAM - ALL '95
3	87139-463-670	LABEL, HIGH ALTITUDE
4	87506-MZ3-300	LABEL, BATTERY - ALL '94
4	87506-MAM-300	LABEL, BATTERY - ALL '95
5	87512-MZ3-670	MARK
6	87565-MAF-300ZA	LABEL, COLOR *B142P* - A'94
6	87565-MAF-300ZB	LABEL, COLOR *R176* - A'94
6	87565-MAF-300ZC	LABEL, COLOR *NH1Z* - A'94
6	87565-MAM-300ZB	LABEL, COLOR *R176* - A'95
6	87565-MAM-300ZD	LABEL, COLOR *RP151* - A'95
6	87565-MAM-300ZE	LABEL, COLOR *G156* - A'95
6	87565-MAF-870ZA	LABEL, COLOR *B142P* - I'94
6	87565-MAF-870ZB	LABEL, COLOR *R176* - I'94
6	87565-MAF-870ZC	LABEL, COLOR *NH1Z* - I'94
6	87565-MAM-870ZB	LABEL, COLOR *R176* - I'95
6	87565-MAM-870ZD	LABEL, COLOR *G156* - I'95
6	87565-MAF-770ZA	LABEL *BG101P* - SE'94
6	87565-MAF-770ZB	LABEL, COLOR *B142P* - SE'94
6	87565-MAF-770ZC	LABEL, COLOR *R176K* - SE'94
6	87565-MAF-770ZD	LABEL, COLOR *NH326* - SE'94
6	87565-MAM-770ZC	LABEL, COLOR *R176K* - SE'95
6	87565-MAM-770ZD	LABEL, COLOR *NH326* - SE'95

Catalog Title:  
**GL1500A/SE/ '94 - '95**

Block No.  
**F 5601**

Block Title:  
**CAUTION LABEL (2)**

Ref. No.	Part No.	Description
6	87565-MAM-770ZE	LABEL *RP151K* - SE'95
6	87565-MAM-770ZF	LABEL, COLOR *G156G* - SE'95
7	87586-MR6-670ZA	LABEL, FUEL (TYPEG)

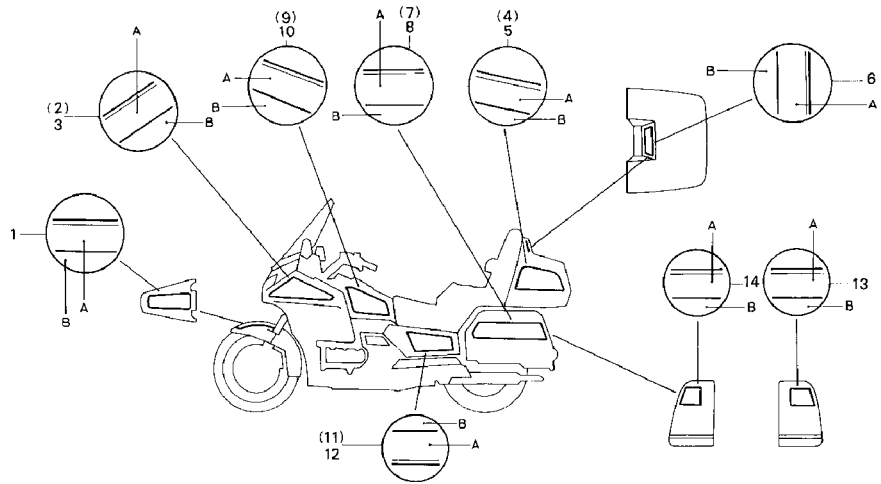


Catalog Title:  
**GL1500A/SE/ '94 - '95**

Block No.  
**F 57**

Block Title:  
**STRIPE GL1500SE**

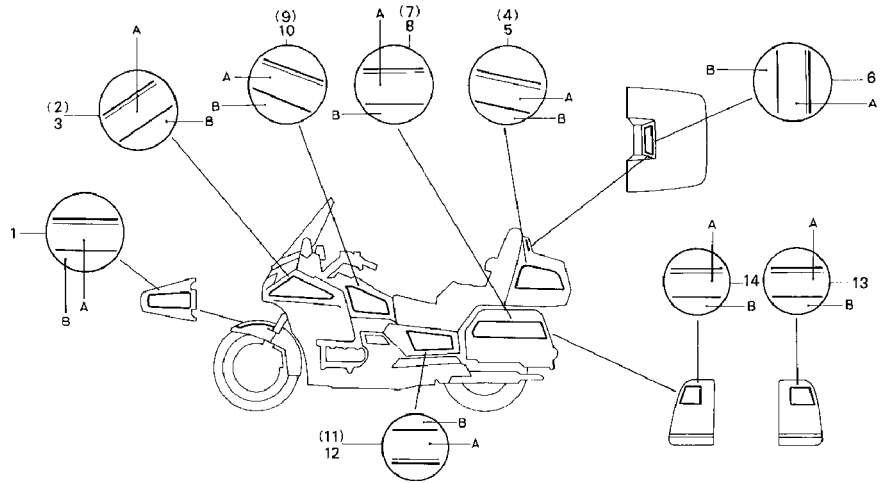
Ref. No.	Part No.	Description
1	61110-MAF-770ZA	STRIPE A (TYPE5) - '94
1	61110-MAF-770ZB	STRIPE A (TYPE6) - '94
1	61110-MAF-770ZC	STRIPE A (TYPE7) - '94
1	61110-MAM-770ZC	STRIPE, FR. (TYPE7) - '95
1	61110-MAM-770ZD	STRIPE, FR. (TYPE8) - '95
1	61110-MAM-770ZE	STRIPE, FR. (TYPE9) - '95
2	64202-MAF-770ZA	STRIPE, R. (TYPE5) - '94
2	64202-MAF-770ZB	STRIPE, R. (TYPE6) - '94
2	64202-MAF-770ZC	STRIPE, R. (TYPE7) - '94
2	64202-MAM-770ZC	STRIPE, R. (TYPE7) - '95
2	64202-MAM-770ZD	STRIPE, R. (TYPE8) - '95
2	64202-MAM-770ZE	STRIPE, R. (TYPE9) - '95
3	64203-MAF-770ZA	STRIPE, L. (TYPE5) - '94
3	64203-MAF-770ZB	STRIPE, L. (TYPE6) - '94
3	64203-MAF-770ZC	STRIPE, L. (TYPE7) - '94
3	64203-MAM-770ZC	STRIPE, L. (TYPE7) - '95
3	64203-MAM-770ZD	STRIPE, L. (TYPE8) - '95
3	64203-MAM-770ZE	STRIPE, L. (TYPE9) - '95
4	81115-MAF-770ZA	STRIPE, R. (TYPE5) - '94
4	81115-MAF-770ZB	STRIPE, R. (TYPE6) - '94
4	81115-MAF-770ZC	STRIPE, R. (TYPE7) - '94



Catalog Title:  
**GL1500A/SE/ '94 - '95**

Block No.  
**F 57**

Block Title:  
**STRIPE GL1500SE**



Ref. No.	Part No.	Description
4	81115-MAM-770ZC	STRIPE, R. (TYPE7) - '95
4	81115-MAM-770ZD	STRIPE, R. (TYPE8) - '95
4	81115-MAM-770ZE	STRIPE, R. (TYPE9) - '95
5	81116-MAF-770ZA	STRIPE, L. (TYPE5) - '94
5	81116-MAF-770ZB	STRIPE, L. (TYPE6) - '94
5	81116-MAF-770ZC	STRIPE, L. (TYPE7) - '94
5	81116-MAM-770ZC	STRIPE, L. (TYPE7) - '95
5	81116-MAM-770ZD	STRIPE, L. (TYPE8) - '95
5	81116-MAM-770ZE	STRIPE, L. (TYPE9) - '95
6	81122-MAF-770ZA	STRIPE (TYPE5) - '94
6	81122-MAF-770ZB	STRIPE (TYPE6) - '94
6	81122-MAF-770ZC	STRIPE (TYPE7) - '94
6	81122-MAM-770ZC	STRIPE (TYPE7) - '95
6	81122-MAM-770ZD	STRIPE (TYPE8) - '95
6	81122-MAM-770ZE	STRIPE (TYPE9) - '95
7	81227-MAF-770ZA	STRIPE, R. (TYPE5) - '94
7	81227-MAF-770ZB	STRIPE, R. (TYPE6) - '94
7	81227-MAF-770ZC	STRIPE, R. (TYPE7) - '94

Catalog Title:

GL1500A/SE/ '94 - '95

Block No.

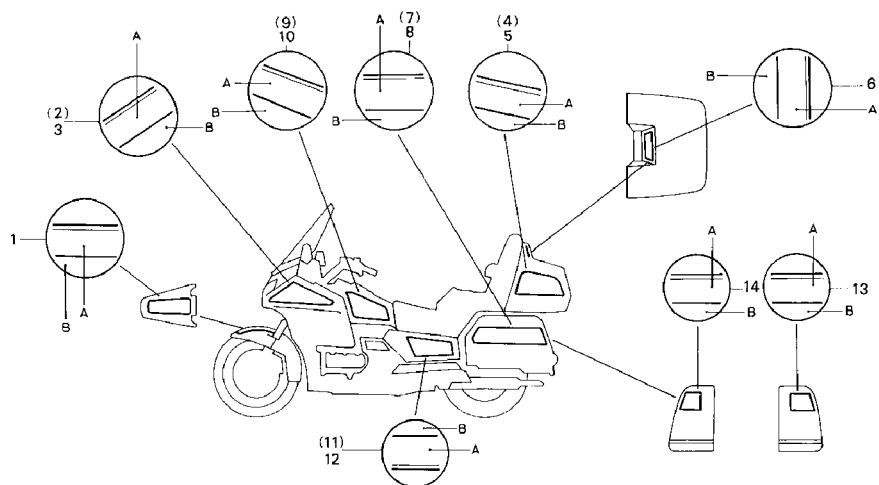
F 57

Block Title:

STRIPE GL1500SE

Ref. No.	Part No.	Description
----------	----------	-------------

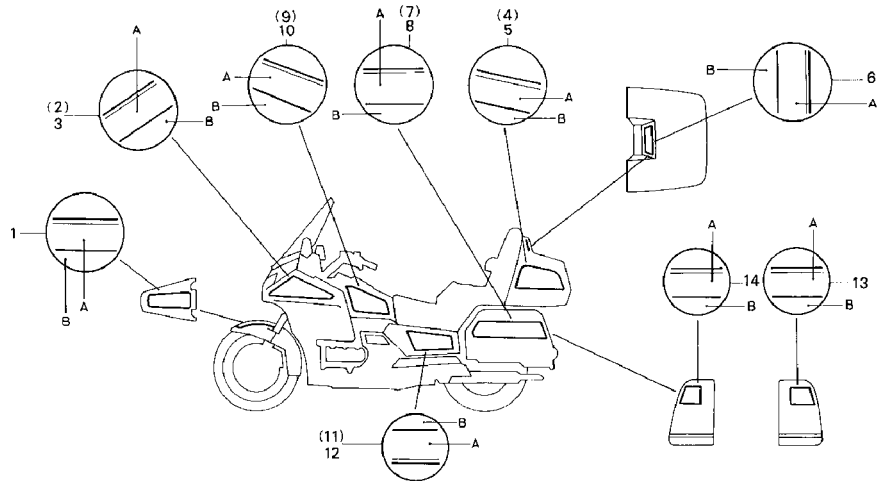
7	81227-MAM-770ZC	STRIPE, R. (TYPE7) - '95
7	81227-MAM-770ZD	STRIPE, R. (TYPE8) - '95
7	81227-MAM-770ZE	STRIPE, R. (TYPE9) - '95
8	81427-MAF-770ZA	STRIPE, L. (TYPE5) - '94
8	81427-MAF-770ZB	STRIPE, L. (TYPE6) - '94
8	81427-MAF-770ZC	STRIPE, L. (TYPE7) - '94
8	81427-MAM-A70ZD	STRIPE, L. (TYPE8) - '95
8	81427-MAM-770ZC	STRIPE, L. (TYPE7) - '95
8	81427-MAM-770ZD	STRIPE, L. (TYPE8) - '95
8	81427-MAM-770ZE	STRIPE, L. (TYPE9) - '95
9	83215-MAF-770ZA	STRIPE, R. (TYPE5) - '94
9	83215-MAF-770ZB	STRIPE, R. (TYPE6) - '94
9	83215-MAF-770ZC	STRIPE, R. (TYPE7) - '94
9	83215-MAM-770ZC	STRIPE, R. (TYPE7) - '95
9	83215-MAM-770ZD	STRIPE, R. (TYPE8) - '95
9	83215-MAM-770ZE	STRIPE, R. (TYPE9) - '95
10	83225-MAF-770ZA	STRIPE, L. (TYPE5) - '94
10	83225-MAF-770ZB	STRIPE, L. (TYPE6) - '94
10	83225-MAF-770ZC	STRIPE, L. (TYPE7) - '94



Catalog Title:  
**GL1500A/SE/ '94 - '95**

Block No.  
**F 57**

Block Title:  
**STRIPE GL1500SE**



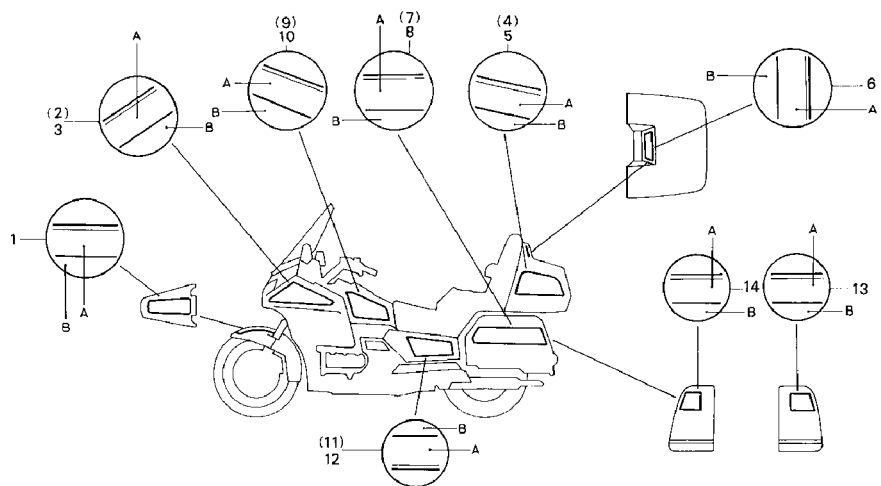
Ref. No.	Part No.	Description
10	83225-MAM-770ZC	STRIPE, L. (TYPE7) - '95
10	83225-MAM-770ZD	STRIPE, L. (TYPE8) - '95
10	83225-MAM-770ZE	STRIPE, L. (TYPE9) - '95
11	83615-MAF-770ZA	STRIPE, R. (TYPE5) - '94
11	83615-MAF-770ZB	STRIPE, R. (TYPE6) - '94
11	83615-MAF-770ZC	STRIPE, R. (TYPE7) - '94
11	83615-MAM-770ZC	STRIPE, R. (TYPE7) - '95
11	83615-MAM-770ZD	STRIPE, R. (TYPE8) - '95
11	83615-MAM-770ZE	STRIPE, R. (TYPE9) - '95
12	83715-MAF-770ZA	STRIPE, L. (TYPE5) - '94
12	83715-MAF-770ZB	STRIPE, L. (TYPE6) - '94
12	83715-MAF-770ZC	STRIPE, L. (TYPE7) - '94
12	83715-MAM-770ZC	STRIPE, L. (TYPE7) - '95
12	83715-MAM-770ZD	STRIPE, L. (TYPE8) - '95
12	83715-MAM-770ZE	STRIPE, L. (TYPE9) - '95
13	87117-MAF-770ZA	STRIPE, R. (TYPE5) - '94
13	87117-MAF-770ZB	STRIPE, R. (TYPE6) - '94
13	87117-MAF-770ZC	STRIPE, R. (TYPE7) - '94

Catalog Title:  
**GL1500A/SE/ '94 - '95**

Block No.  
**F 57**

Block Title:  
**STRIPE GL1500SE**

Ref. No.	Part No.	Description
13	87117-MAM-770ZC	STRIPE, R. (TYPE7) - '95
13	87117-MAM-770ZG	STRIPE, R. (TYPE8) - '95
13	87117-MAM-770ZH	STRIPE, R. (TYPE9) - '95
14	87118-MAF-770ZA	STRIPE, L. (TYPE5) - '94
14	87118-MAF-770ZB	STRIPE, L. (TYPE6) - '94
14	87118-MAF-770ZC	STRIPE, L. (TYPE7) - '94
14	87118-MAM-A70ZC	STRIPE, L. (TYPE7) - '95
14	87118-MAM-A70ZD	STRIPE, L. (TYPE8) - '95
14	87118-MAM-770ZC	STRIPE, L. (TYPE7) - '95
14	87118-MAM-770ZD	STRIPE, L. (TYPE8) - '95
14	87118-MAM-770ZE	STRIPE, L. (TYPE9) - '95



**Color chart for stripe (GL1500SE '94)**

Type	Main color	Position	
		A	B
TYPE 5	Pearl bermuda green (BG101P)	Light green metallic	Dark green metallic
TYPE 6	Pearl atlantis blue (B142P)	Medium green metallic	Blue green metallic
TYPE 7	Candy spectra red (R176C)	Italian red	Candy garnet red

**Color chart for stripe (GL1500SE '95)**

Type	Main color	Position	
		A	B
TYPE 7	Candy spectra red (R176C)	Italian red	Candy garnet red
TYPE 8	Pearl royal magenta (RP151P)	Purple	Pearl dark magenta
TYPE 9	Pearl sierra green (G156P)	Toscana green	Pearl dark green