

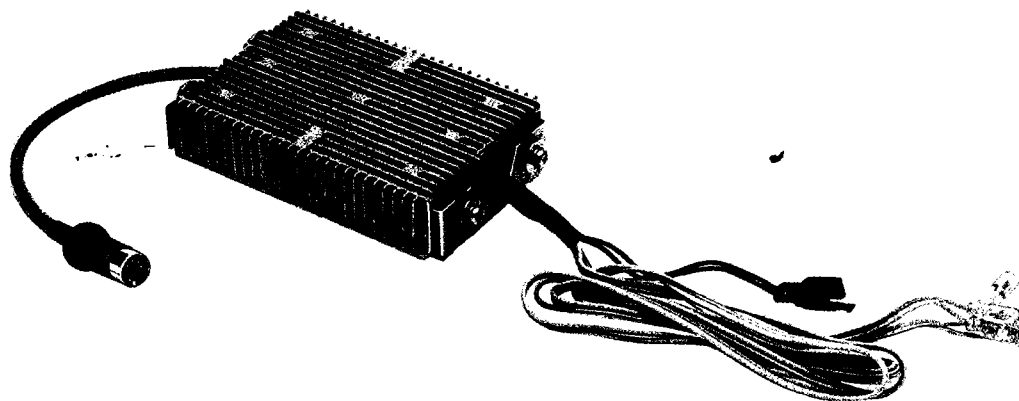
Service Manual

Car Audio

POWER AMPLIFIER

RM-M1100

CUSTOM-MADE FOR HONDA



■ SPECIFICATIONS

Rated Power Output:	12 W/CH (5% THD)
Output Impedance:	4Ω
Power Source:	DC 12 V (Negative ground)
Test Voltage:	14 V
Power Consumption:	3.5A (at rated power output)
Dimension:	136 (W)×30 (H)×96 (D) mm (5 ⁵ / ₁₆ "×1 ³ / ₁₆ "×3 ¹³ / ₁₆ ")
Weight:	0.7 kg (1 lb 1/2 oz)

Specifications are subject to change without notice.

Panasonic®

Matsushita Engineering and
Service Company
50 Meadowland Parkway,
Secaucus, New Jersey 07094

Panasonic Hawaii Inc.
91-238 Kauhū St. Ewa Beach
P.O. Box 774
Honolulu, Hawaii 96808-0774

Matsushita Electric
of Canada Limited
5770 Ambler Drive, Mississauga,
Ontario, L4W 2T3

Panasonic Sales Company,
Division of Matsushita Electric
of Puerto Rico, Inc.
Ave. 65 De Infantería, KM 9.7
Victoria Industrial Park
Carolina, Puerto Rico 00630

goldwingdocs.com

DISASSEMBLY INSTRUCTIONS

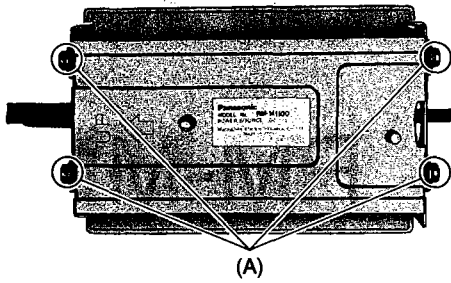


Fig. 1

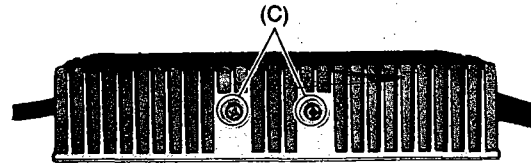


Fig. 3

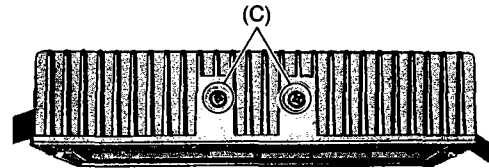


Fig. 4

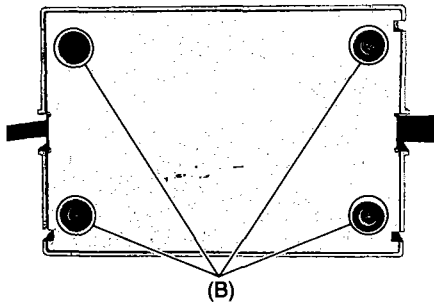


Fig. 2

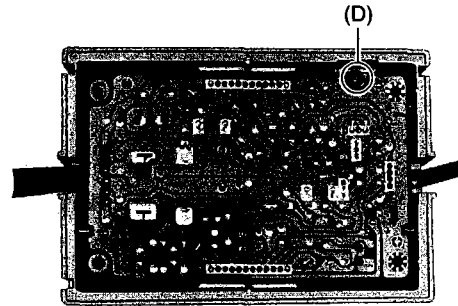


Fig. 5

Ref. No.	Procedure	Shown in Fig.—	To remove—	Remove—
1	1~4	1	Circuit Board	Screw (5×16) (A)×4
2		2		Screw (3×10) (B)×4
3		3,4		Screw (3×12) (C)×4
4		5		Screw (3×10) (D)×1

ELECTRICAL PARTS LOCATION

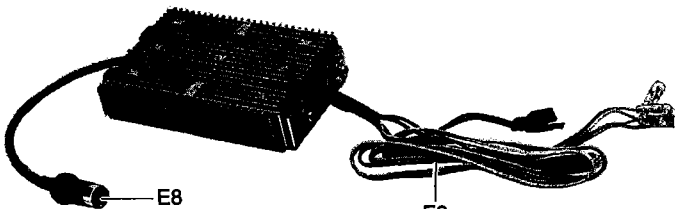


Fig. 6

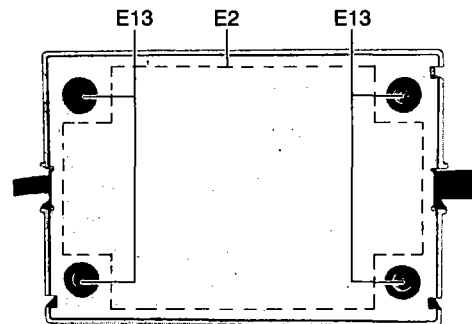


Fig. 9

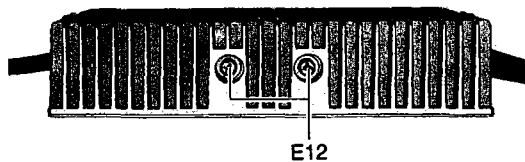


Fig. 7

E4, 5, 10, 11, 15 E6 E7 E4, 5, 10, 11, 15

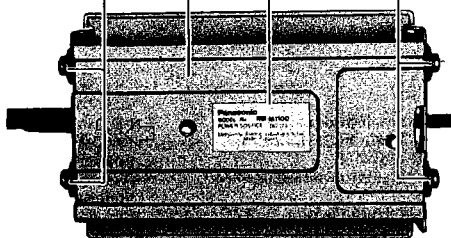


Fig. 8

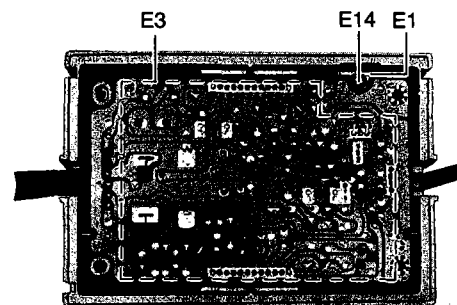
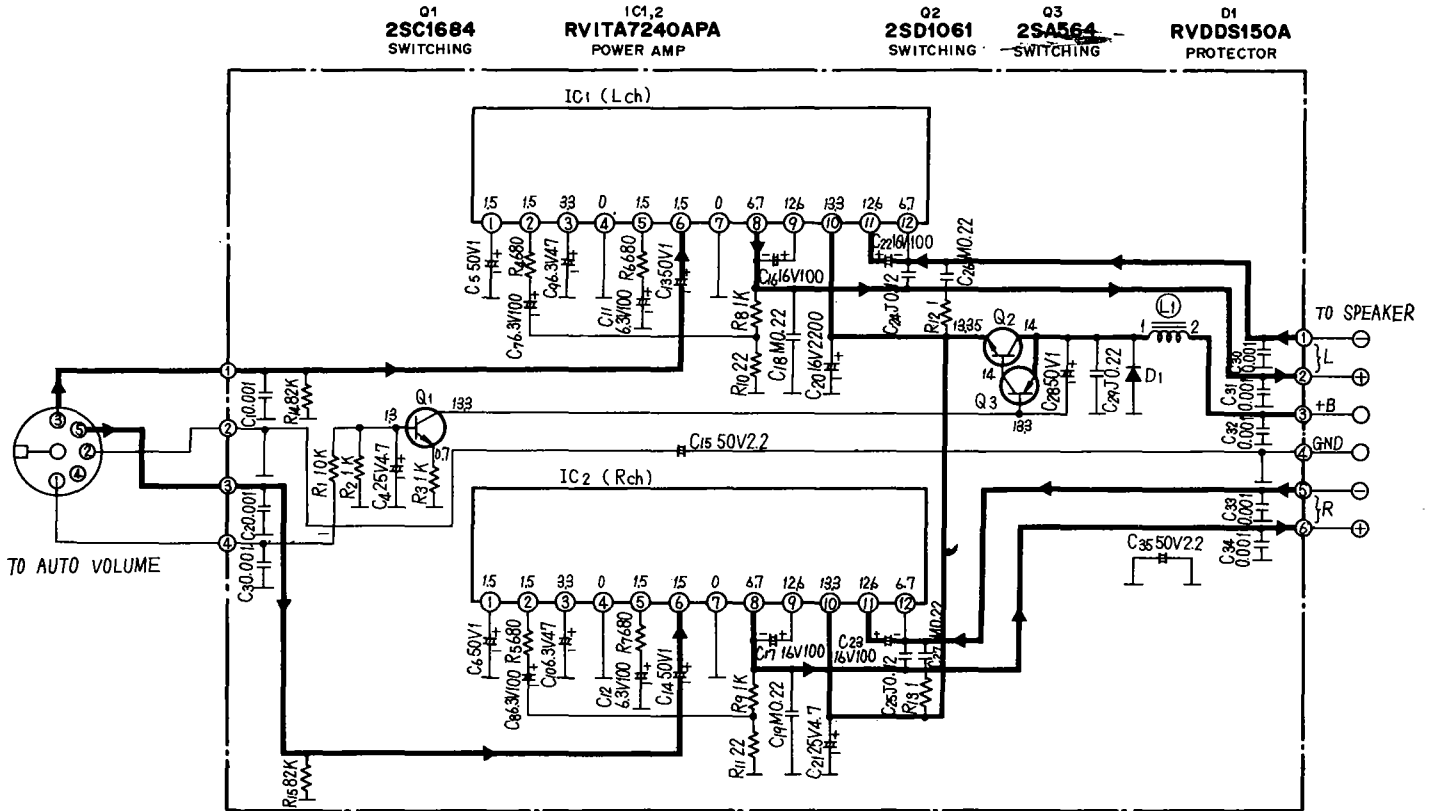


Fig. 10

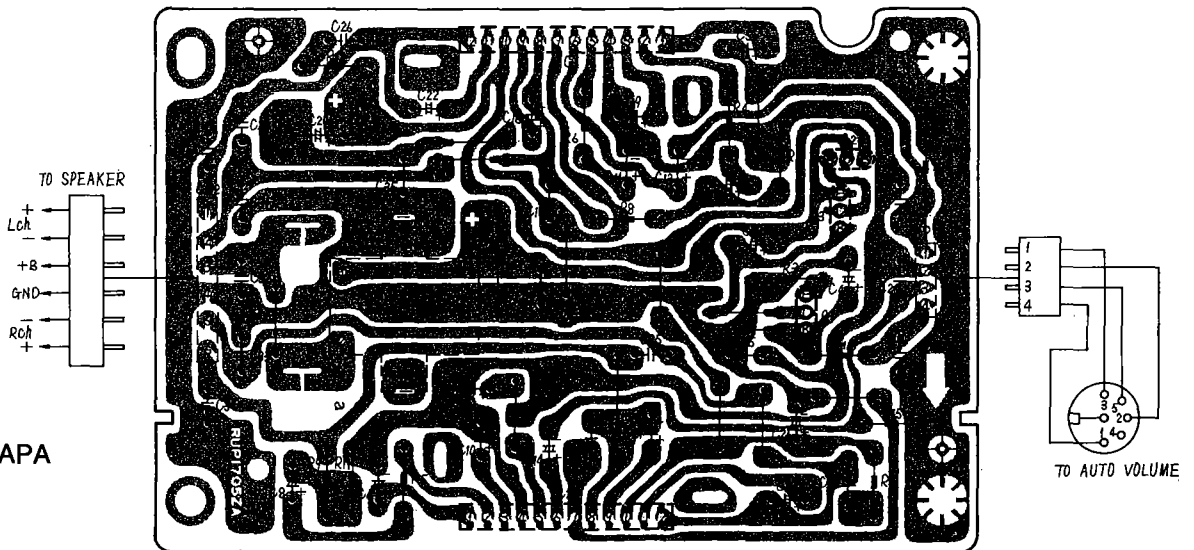
SCHEMATIC DIAGRAM MODEL RM-M1100



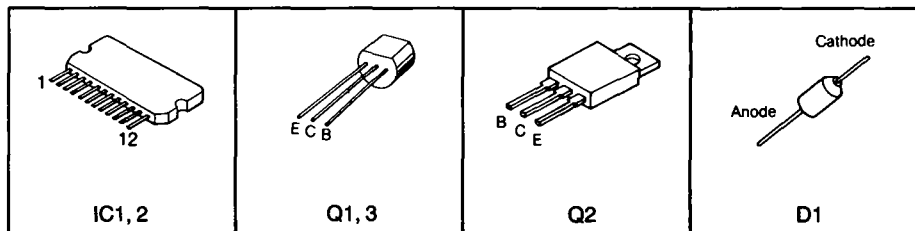
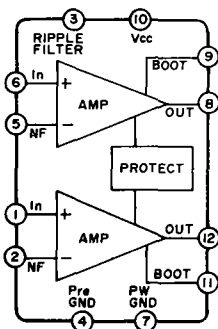
Note:
DC voltage measurements are taken with electronic voltmeter from negative voltage line.

— Tape & AF Signal
— + Voltage Line

CIRCUIT BOARD AND WIRING CONNECTION DIAGRAM MODEL RM-M1100



IC1, 2 RVITA7240APA



REPLACEMENT PARTS LIST **RM-M1100**

Notes:

(RD83072081C1)

- Important safety notice.
Components identified by Δ mark have special characteristics important for safety.
When replacing any of these components, use only manufacturer's specified parts.
- The S mark indicates service standard parts and may differ from production parts.
- RESISTORS & CAPACITORS**
Unless otherwise specified.
All resistors are in OHMS (Ω) K=1000 Ω , M=1000k Ω
All capacitors are in MICRO FARADS (μ F) P= μ F

*** Type & Wattage of Resistor**
Type

ERC:Solid	ERX:Metal Film	ERW:Wirewound Resistor
ERD:Carbon	ERG:Metal Oxide	ERS:Fusible Resistor
RRD:Chip	ERO:Metal Film	ERF:Cement Resistor

Wattage

10,16:1/8W	14,25:1/4W	12:1/2W	1:1W	2:2W	3:3W
------------	------------	---------	------	------	------

*** Type & Voltage of Capacitor**
Type

ECFW:Semi-conductor	ECQD,ECKD,ECBT: Ceramic
ECQS:Styrol	ECQM,ECQV,ECQG: Polyester
ECUX:Chip	ECEA,ECSS : Electrolytic
ECMS:Mica	ECQP : Polypropylene

Voltage

ECQ Type	ECQG, ECQV, Type	ECSS Type	Others		
1H: 50V	0,5: 50V	OF:3.15V	OJ :6.3V	1H,1V,50: 50V	
2A:100V	1:100V	1A:10V	1A :10V	1J : 63V	
2E:500V	2:200V	1V:35V	1C :16V	2A :100V	
2H:500V		OJ:6.3V	1E,25:25V		

Ref. No.	Part No.	Value
----------	----------	-------

RESISTORS		
R1	ERD25FJ103	10K S
R2	ERD25FJ102	1K S
R3	ERD25FJ102	1K S
R4	ERD25FJ681	680 S
R5	ERD25FJ681	680 S
R6	ERD25FJ681	680 S
R7	ERD25FJ681	680 S
R8	ERD25FJ102	1K S
R9	ERD25FJ102	1K S
R10	ERD25FJ220	22 S
R11	ERD25FJ220	22 S
R12	ERD25FJ1R0	1 S
R13	ERD25FJ1R0	1 S
R14	ERD25TJ823	82K S
R15	ERD25TJ823	82K S

CAPACITORS		
C1	ECKD1H102ZF	0.001
C2	ECKD1H102ZF	0.001
C3	ECKD1H102ZF	0.001
C4	ECEA25Z4R7	4.7 S
C5	ECEA50Z1	1 S
C6	ECEA50Z1	1 S
C7	ECEA1AS101	100 S
C8	ECEA1AS101	100 S
C9	ECEA1AS470	47 S
C10	ECEA1AS470	47 S
C11	ECEA1AS101	100 S
C12	ECEA1AS101	100 S
C13	ECEA50Z1	1 S
C14	ECEA50Z1	1 S
C15	ECEA1HN2R2	2.2
C16	ECEA1ES101	100 S
C17	ECEA1ES101	100 S
C18	ECQGLH224MZ	0.22
C19	ECQGLH224MZ	0.22
C20	ECEA1CSS222	2200

C21	ECEA25Z4R7	4.7 S
C22	ECEA1ES101	100 S
C23	ECEA1ES101	100 S
C24	ECQG05124JZ	0.12
C25	ECQG05124JZ	0.12
C26	ECQGLH224MZ	0.22
C27	ECQGLH224MZ	0.22
C28	ECEA50Z1	1 S
C29	ECQG05224JZ	0.22
C30	ECKD1H102ZF	0.001
C31	ECKD1H102ZF	0.001
C32	ECKD1H102ZF	0.001
C33	ECKD1H102ZF	0.001
C34	ECKD1H102ZF	0.001
C35	ECEA1HN2R2	2.2

Ref.No.	Part No.	Part Name & Description	Per Set
		INTEGRATED CIRCUITS, TRANSISTORS AND DIODE	
IC1,2	RVITA7240APA	IC	2
Q1	2SC1685-Q	Transistor (Si)	1 S
Q2	2SD1061S	Transistor (Si)	1
Q3	2SA722-S	Transistor (Ge)	1 S
D1	RVDDS150A	Diode (Si)	1 S
		COIL	
L1	RLT6G4A	Coil, Choke	1
		ELECTRICAL PARTS	
E1	RMX246Z	Insulator	1
E2	RMX247Z	Insulator, Circuit Board	1
E3	RHG1083Z	Rubber, Circuit Board	1
E4	RHG599Z	Rubber, Bracket	4
E5	RHM161Z	Spacer, Bracket	4
E6	RKC83Z	Bracket, Amp	1
E7	RGT1034Z	Name Plate	1
E8	RJP0F11Z	Din Cord	1
E9	RJP0F12Y	Speaker Harness	1
E10	XSN5+16S	Screw, Bracket M'tg	4 S
E11	XWA5B	Washer	4 S
E12	XYN3+F12	Screw, IC M'tg	4
E13	XTV3+10G	Screw, Circuit Board	4
E14	XTV3+10J	Screw, Circuit Board M'tg	1
E15	XWG5F16	Washer	4 S
	RHE7033Z	Nut, Power Amp M'tg	2

goldawingdocs.com

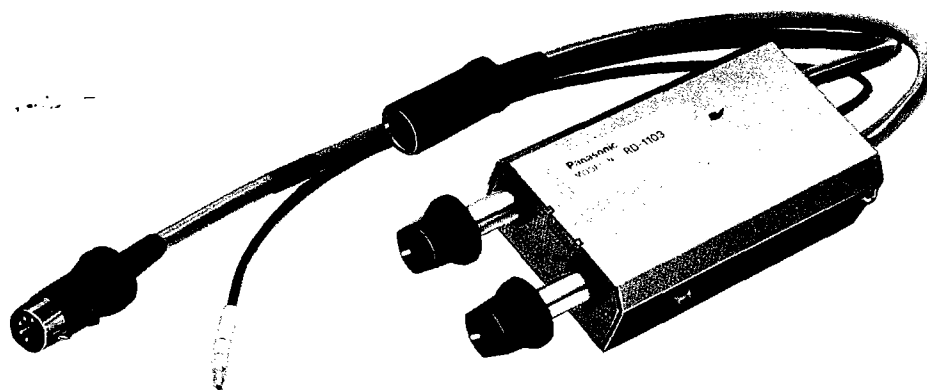
Service Manual

Car Audio

AUTO VOLUME

RD-1103

CUSTOM-MADE FOR HONDA



■ SPECIFICATIONS

Power Source: DC 12 V (From RM-1100)
 Test Voltage: DC 14 V
 Power Consumption: 20 mA
 Auto Volume
 OFF Gain: 0 dB

Auto Volume Gain
 Control: 6~16 dB
 Input Speed Control: 0~240 km/H
 Tone Control: 10 dB (10 kHz)
 Dimension: 54 (W)×25 (H)×97 (D) mm
 (2¹/₈"×1"×3⁷/₈")
 Weight: 0.18 kg (6¹/₂ oz)

Specifications are subject to change without notice.

Panasonic®

Matsushita Engineering and
 Service Company
 50 Meadowland Parkway,
 Secaucus, New Jersey 07094

Panasonic Hawaii Inc.
 91-238 Kauhū St. Ewa Beach
 P.O. Box 774
 Honolulu, Hawaii 96808-0774

Matsushita Electric
 of Canada Limited
 5770 Ambler Drive, Mississauga,
 Ontario, L4W 2T3

Panasonic Sales Company,
 Division of Matsushita Electric
 of Puerto Rico, Inc.
 Ave. 65 De Infanteria, KM 9.7
 Victoria Industrial Park
 Carolina, Puerto Rico 00630

goldwingdocs.com

LOCATION OF CONTROLS AND COMPONENTS

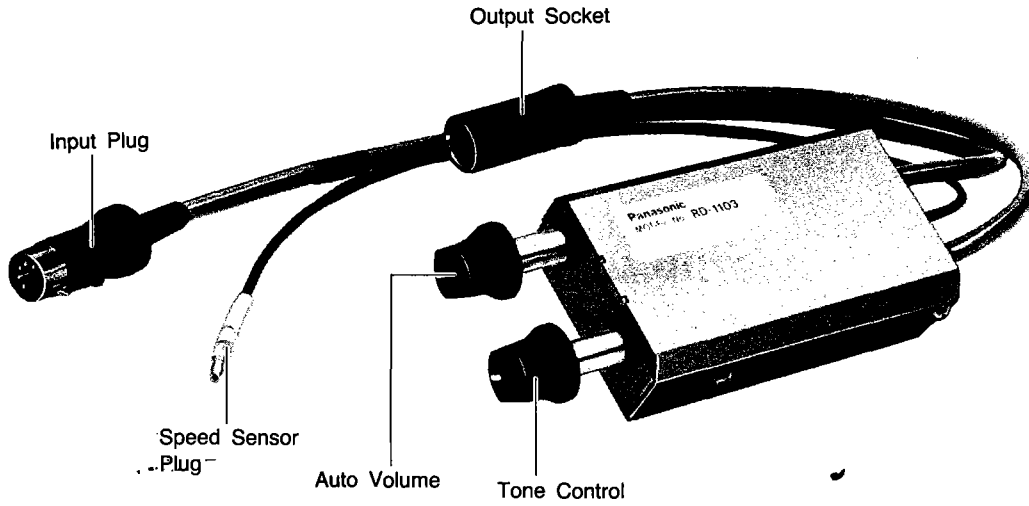


Fig. 1

DISASSEMBLY INSTRUCTIONS

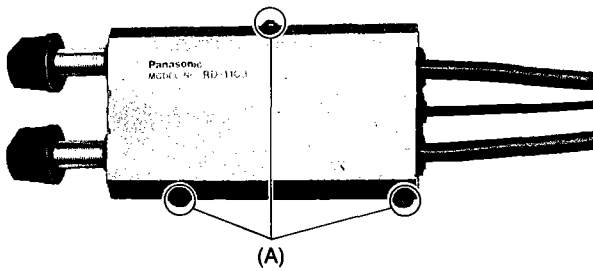


Fig. 2

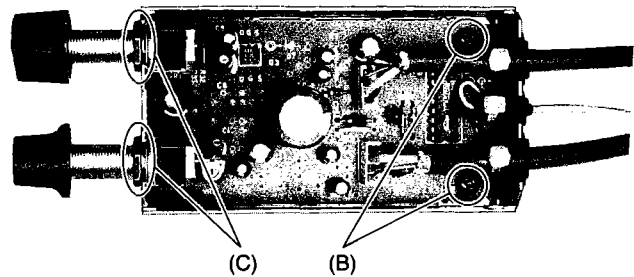
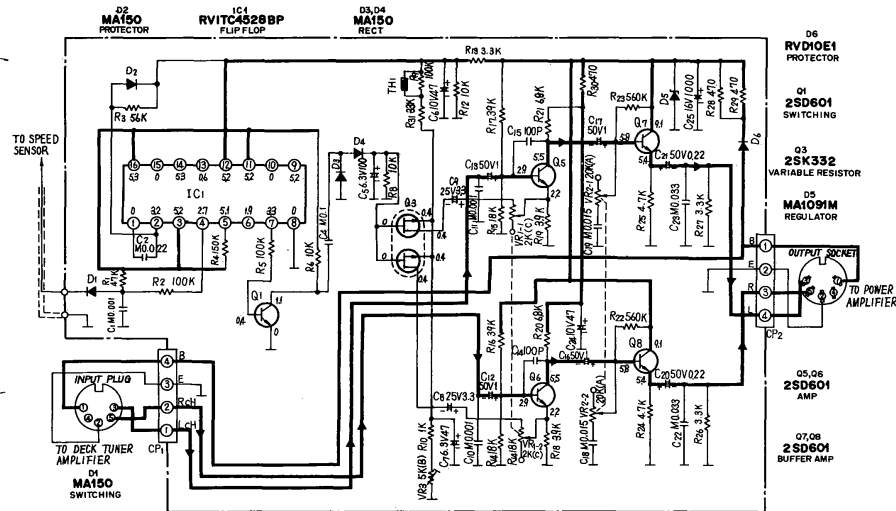


Fig. 3

Ref. No.	Procedure	Shown in Fig.—	To remove—.	Remove—.
1	1	2	Cover	Screw (3×6) (A)×3
2	1, 2	3	Circuit Board	Screw (3×6) (B)×2
3		3		Nut (Ø9) (C)×2

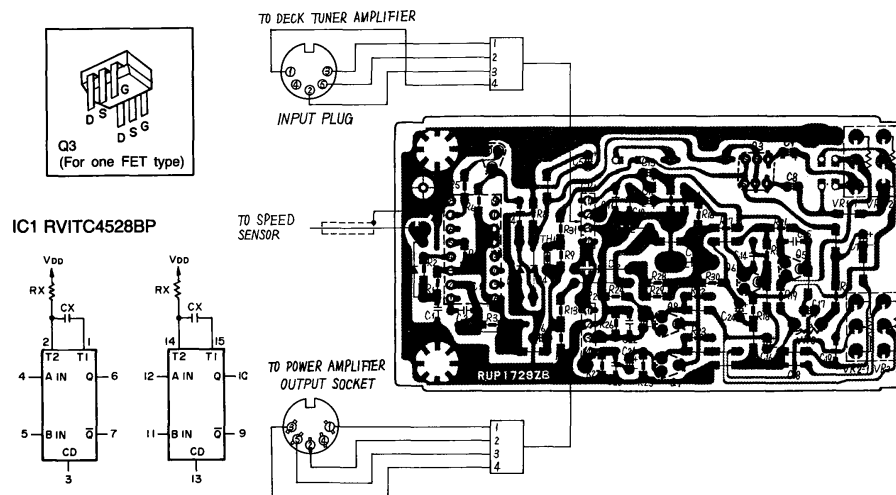
SCHEMATIC DIAGRAM MODEL RD-1103 (One FET Type)



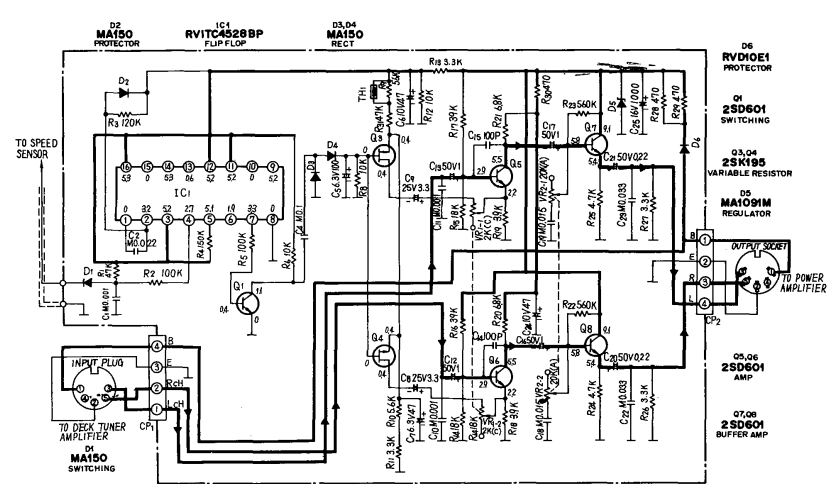
Notes:

- DC voltage measurements are taken with electronic voltmeter from negative voltage line.
- VR1: Auto volume control VR.
VR2: Tone control VR.
VR3: Gain adjustment VR.

— Tape & AF Signal
— + Voltage Line

CIRCUIT BOARD AND WIRING CONNECTION DIAGRAM
MODEL RD-1103 (One FET Type)

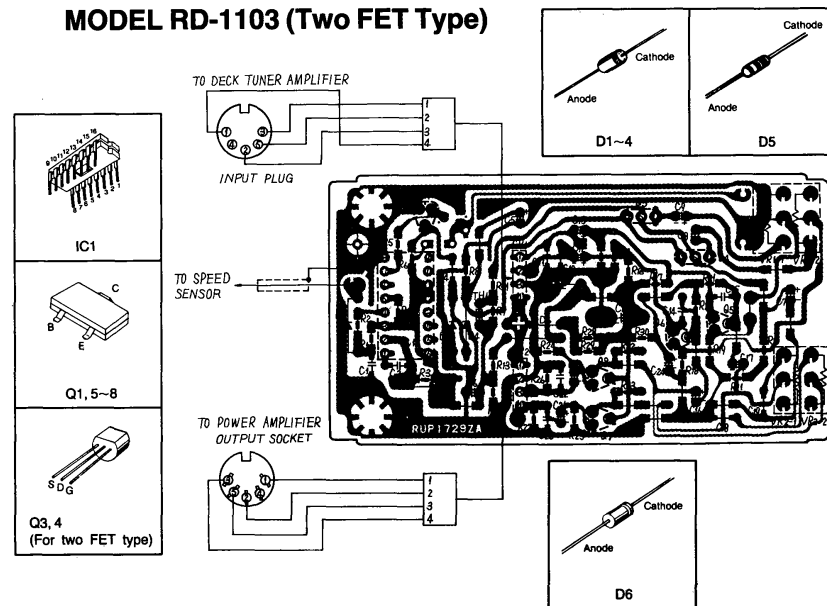
SCHEMATIC DIAGRAM MODEL RD-1103 (Two FET Type)



Notes:

- DC voltage measurements are taken with electronic voltmeter from negative voltage line.
- VR1: Auto volume control VR.
VR2: Tone control VR.

— Tape & AF Signal
— + Voltage Line

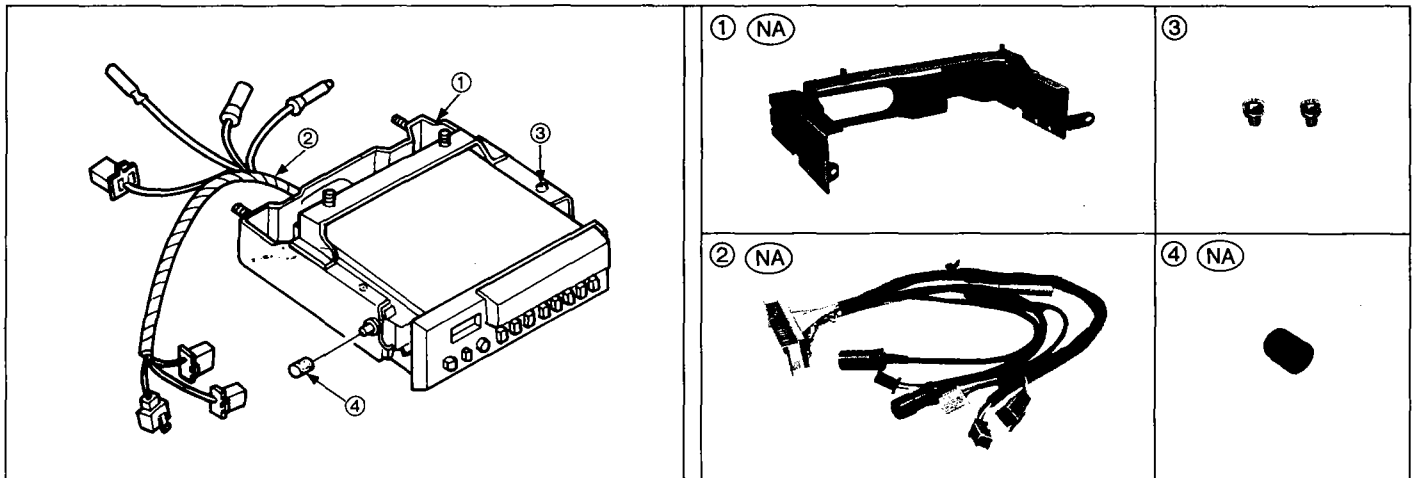
CIRCUIT BOARD AND WIRING CONNECTION DIAGRAM
MODEL RD-1103 (Two FET Type)

Service Manual

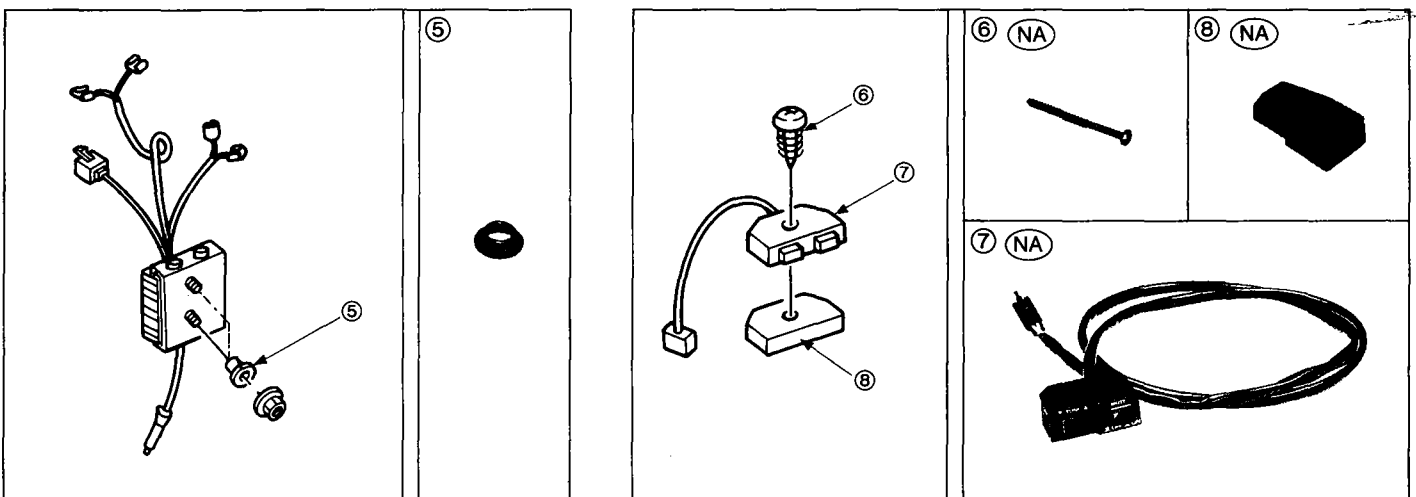
Car Audio

RM-1100 ACCESSORIES CUSTOM-MADE FOR HONDA

■ RADIO CASSETTE ACCESSORY



■ POWER AMPLIFIER ACCESSORY



■ REPLACEMENT PARTS LIST

Note: Parts or components marked with (NA) and unlisted are not available as replacement parts.

Ref. No.	Part No.	Part Name & Description	Pcs/set	Remarks
1	—	Bracket	1	
2	—	Harness	1	
3	XYN4+C6	Screw, Harness and Bracket M'tg	8	
4	—	Cap, Radio Bracket	1	
5	RHM173Z	Collar, Main AMP.	2	
6	—	Screw, Remote Switch	1	
7	—	Remote Switch	1	
8	—	Spacer, Remote Switch	1	

Panasonic®

Matsushita Engineering and
Service Company
50 Meadowland Parkway,
Secaucus, New Jersey 07094

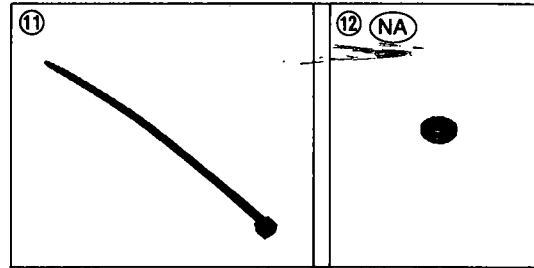
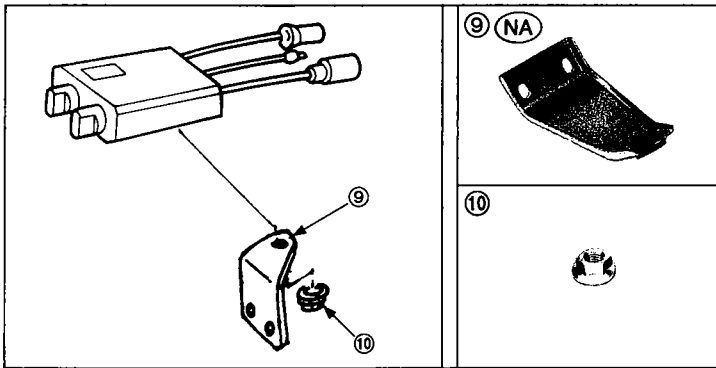
Panasonic Hawaii Inc.
91-238 Kauhū St. Ewa Beach
P.O. Box 774
Honolulu, Hawaii 96808-0774

Matsushita Electric
of Canada Limited
5770 Ambler Drive, Mississauga,
Ontario, L4W 2T3

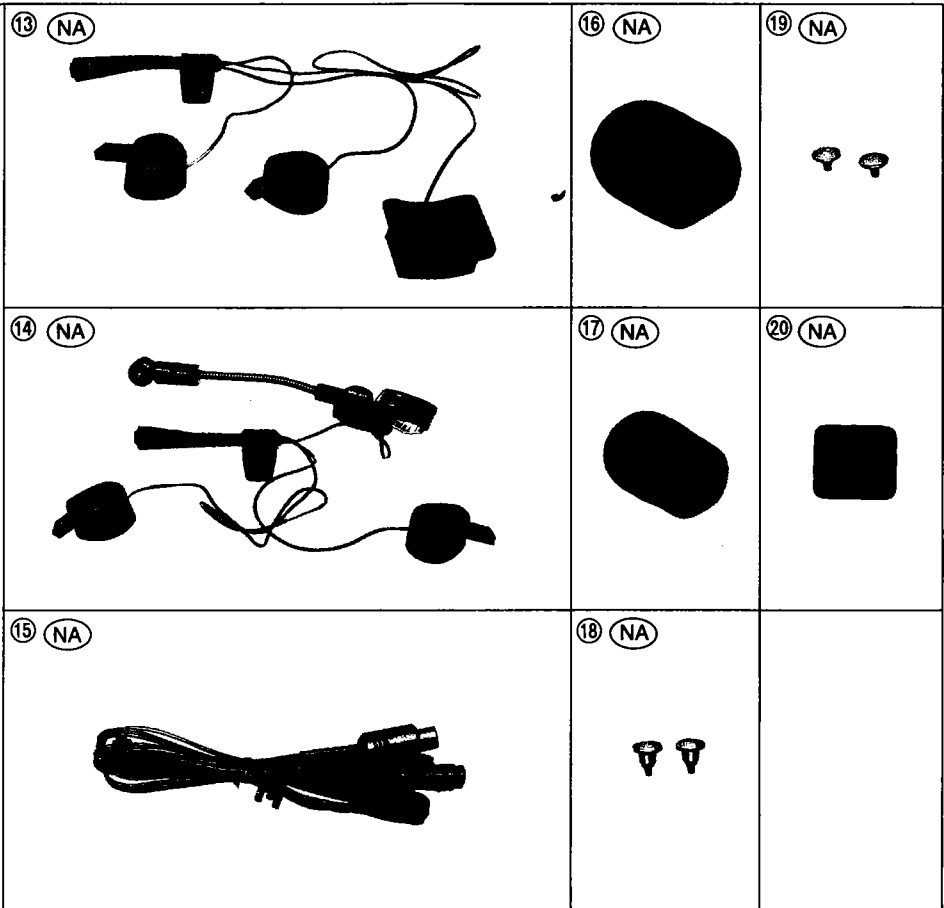
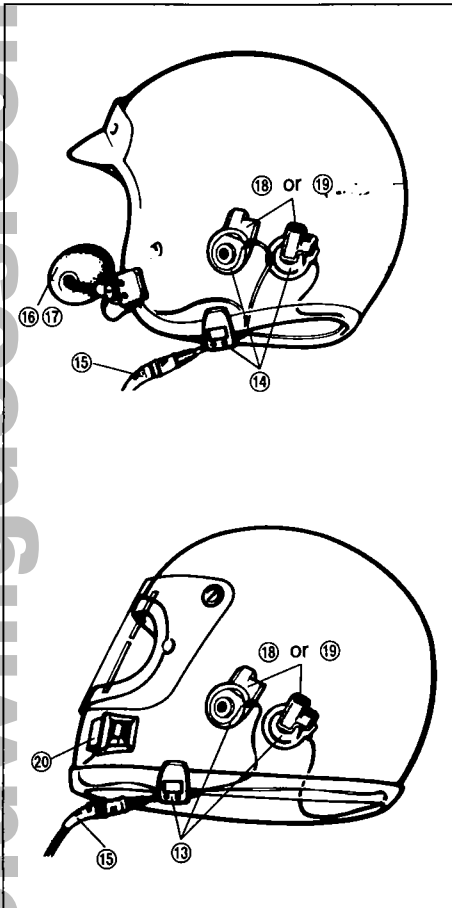
Panasonic Sales Company,
Division of Matsushita Electric
of Puerto Rico, Inc.
Ave. 65 De Infanteria, KM 9.7
Victoria Industrial Park
Carolina, Puerto Rico 00630

goldwingdocs.com

■ AUTO VOLUME ACCESSORY

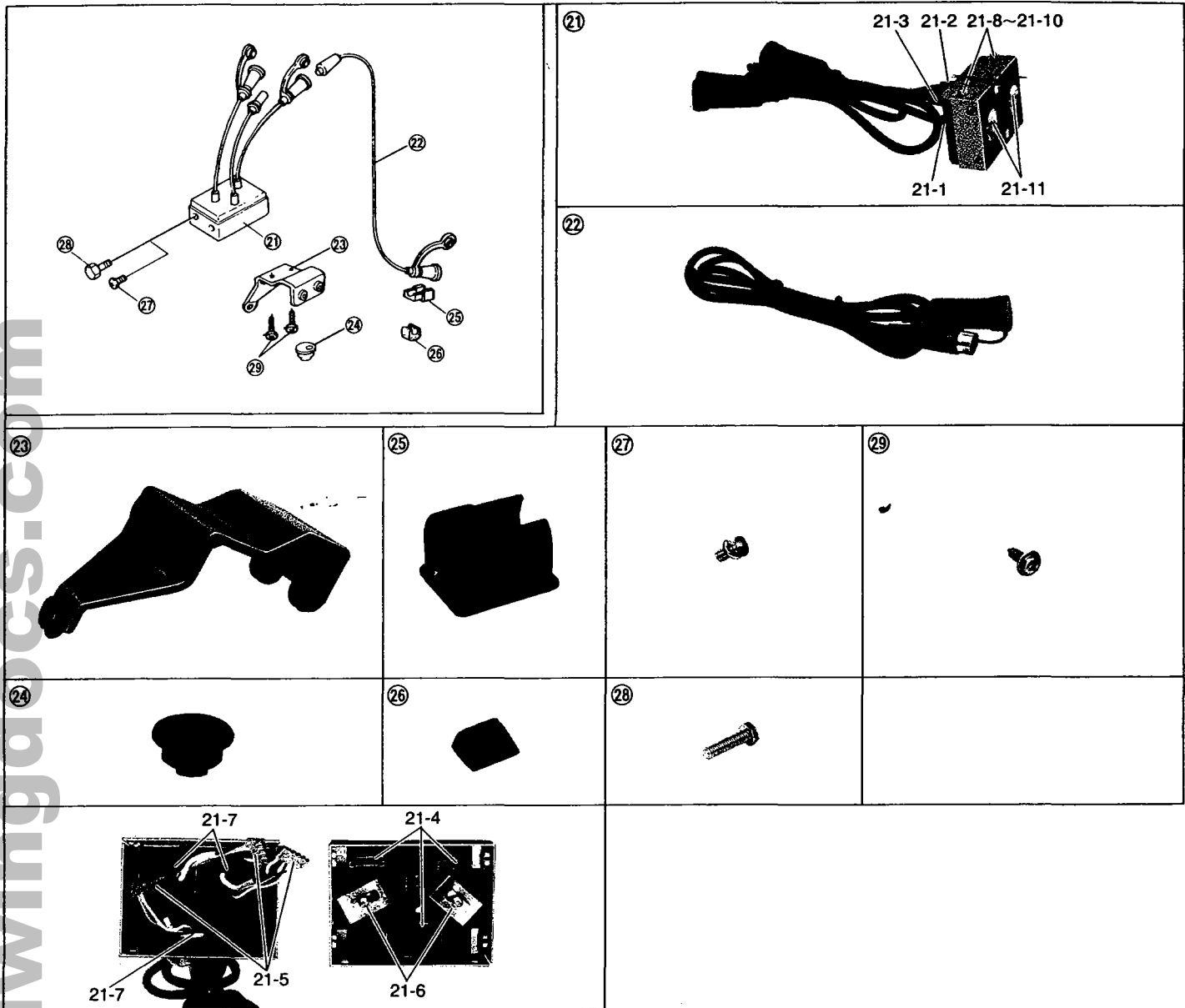


■ HEAD SET ACCESSORY



Ref. No.	Part No.	Part Name & Description	Pcs/set	Remarks
9	—	Bracket, Auto Volume	1	
10	RHE7035Z	Nut, Auto Volume	1	
11	RHR168Z	Wire Band	2	
12	—	Cap, Socket Bolt	4	
13	—	Head set (Full-Face Type)	1	
14	—	Head set (Open-Face Type)	1	
15	—	Cord (with Plug)	1	
16	—	Wind Shield (Open-Face Type)	1	
17	—	Wind Shield (Open-Face Type)	1	
18	—	Screw	2	
19	—	Screw	2	
20	—	Wind Shield (Full-Face Type)	1	

■ JUNCTION BOX ACCESSORY



Ref. No.	Part No.	Part Name & Description	Pcs/set	Remarks
21	RJE144Z	Junction Box	1	
21-1	RWR49210A20	Cord Ass'y, AM/FM Radio	1	
21-2	RWR49211A20	Cord Ass'y, Passenger	1	
21-3	RWR49212A20	Cord Ass'y, Driver	1	
21-4	RWR4023A20	Plug,	3	
21-5	RWR4001A20	Socket	3	
21-6	RWR6501A20	Speed Nut	2	
21-7	RWR6502A20	Stopper	3	
21-8	XSN3+5FN	Screw	4	
21-9	XWG3FN	Washer	4	
21-10	XWA3FN	Washer	4	
21-11	XSN4+6FN	Screw	2	
22	RJP0F19Z	Cord (with Plug)	1	
23	RWV6323A9	Bracket Ass'y	1	
24	RHG725Z	Grommet, Harness	1	
25	RHG2044Z	Connector Holder	2	
26	RHG2045Z	Hook Lead	3	
27	XYN4+C6	Screw	4	
28	XVG4A16	Bolt	4	
29	XTW4+12D	Screw	2	

goldwingdocs.com